



# Big-Flo Pre-Rinse Units

## B-0287-427-BC

TAG:

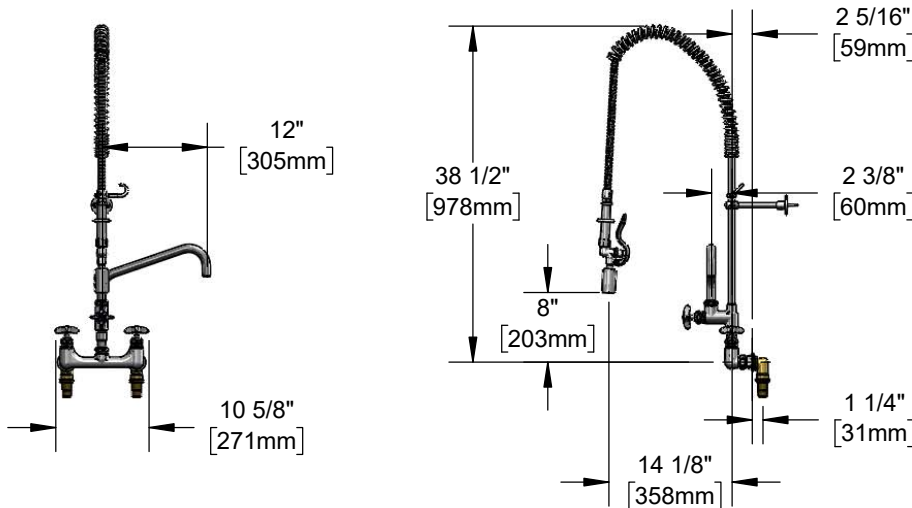
**EasyInstall**

### Big-Flo Pre-Rinse Unit

#### Architect/Engineering Specifications:

8" wall mount large flow mixing faucet with polished chrome plated brass body, add-on faucet with compression spindle and 4-arm handle, 12" plain end swing nozzle, 18" riser, 44" flexible stainless steel hose with heat resistant handle, 0.65 GPM spray valve, compression spindles, 4-arm handles, 3/4" male inlets, check valves in body, spray valve holder, 6" adjustable wall bracket and overhead spring. Certified to ASME A112.18.1/CSA B125.1, NSF 61-Section 9 and NSF 372. EPAAct 2005 compliant.

Job Name \_\_\_\_\_  
 Model Specified \_\_\_\_\_ Quantity \_\_\_\_\_  
 Variations Specified \_\_\_\_\_  
 Date \_\_\_\_\_



#### Features & Benefits:

- 8" wall mount Big-Flo mixing faucet w/ polished chrome plated brass body
- EasyInstall add-on Big-Flo faucet w/ polished chrome plated brass body
- 12" Big-Flo plain end swing nozzle
- 18" riser
- 44" flexible stainless steel hose w/ heat resistant gray handle and hold down ring
- 0.65 GPM spray valve
- Big-Flo compression spindles
- 4-arm handles w/ color coded indexes
- 3/4" NPT female eccentric inlets with Ø 2" flanges with 3/4" NPT female inlet elbows & 3/4" NPT male inlets
- Adjustable centers from 7 3/4" to 8 1/4"
- Check valves in body to prevent cross flow of water
- 6" adjustable wall bracket
- Material: Polished chrome plated brass body, add-on faucet body, tubular spout, riser & spray valve body, stainless steel hose, and chrome plated metal handles

#### Product Compliance:

- ASME A112.18.1 / CSA B125.1
- NSF 61 - Section 9
- NSF 372 (Low Lead Content)
- EPAAct 2005 (PRSV)
- EPA WaterSense (PRSV)



**Warranty:** Three Year (Limited)

#### Performance Data:

- Pressure: 20 - 125 psi
- Temperature: 40 °F - 140 °F
- Flow Rate:
  - Spray Valve: 0.65 GPM @ 60 psi
  - Add-On Faucet: 29.55 GPM @ 60 psi

#### Optional Pre-Rinse Spray Valves

- B-0107 (1.42 GPM)
- B-0107-C (0.65 GPM) (Standard)
- B-0107-J (1.07 GPM)
- B-0108 (1.07 GPM)
- B-0108-C (0.65 GPM)



T&S BRASS AND BRONZE WORKS, INC.



• 2 Saddleback Cove • Travelers Rest, SC 29690  
 Ph 800-476-4103 • Fax 864-834-3518  
 • Simi Valley, CA • Ph 800-423-0150 • www.tsbrass.com

Date: 06/15/18