



Range Faucets and Pot Fillers

B-0305-PF96H-CR

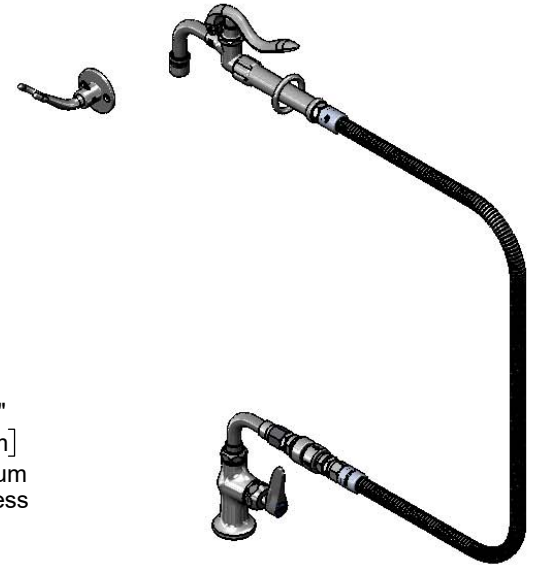
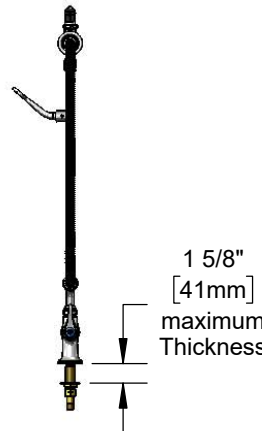
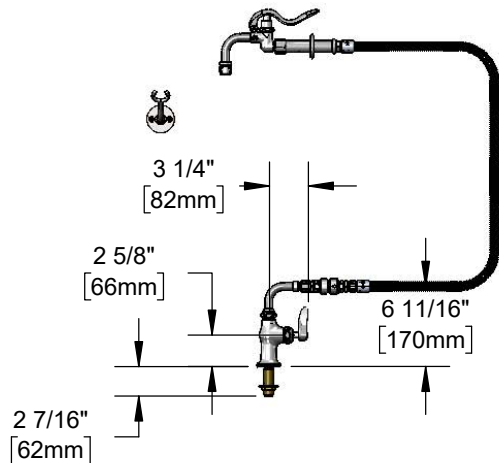
TAG:

Pot Filler Faucet

Architect/Engineering Specifications:

Single hole, single temperature deck mount mixing faucet with polished chrome plated brass body, 90° swivel arm adapter, 96" flexible stainless steel hose, vacuum breaker, heat resistant handle, 90° angled spray valve, 2.2 GPM aerator, ceramic cartridge with check valve, lever handle, 1/2" NPSM male inlet and wall hook. Certified to ASME A112.18.1 / CSA B125.1, NSF 61-Section 9 and NSF 372. EPAAct 2005 compliant.

Job Name _____
 Model Specified _____ Quantity _____
 Variations Specified _____
 Date _____



Features & Benefits:

- Single hole, single temperature deck mount mixing faucet w/ polished chrome plated brass body
- 90° swivel arm adapter
- Vacuum breaker
- 96" flexible stainless steel hose w/ heat resistant gray handle and hold down ring
- 90° angled spray valve
- 2.2 GPM aerator, Series 1 (B-0199-01)
- Quarter-turn Cerama cartridge w/ check valve
- Lever handle w/ color coded index
- 1/2" NPSM male inlet
- Wall hook holds spray valve when not in use
- Material: Polished chrome plated brass body and spray valve body, stainless steel hose and chrome plated metal handle

Product Compliance:

- ASME A112.18.1 / CSA B125.1
- NSF 61 - Section 9
- NSF 372 (Low Lead Content)
- EPAAct 2005 Non-Compliant (PRSV)
- CSA B64.8 (VB)



Warranty: One Year (Limited)

- Cerama Cartridge: Lifetime (Limited)

Performance Data:

- Pressure: 20 - 125 psi
- Temperature: 40°F - 180°F
- Flow Rate: 2.2 GPM @ 60 psi

Optional Cartridges With Checks

- Quarter-Turn Cerama w/ Check Valve (Standard)
- Quarter-Turn Eterna w/ Spring Check

Optional Outlets (Series 1 / VR Series 6)

GPM	Aerated	Non-Aerated (Laminar)	VR Aerated	VR Non-Aerated (VR Laminar)	Optional Pre-Rinse Spray Valves	Optional Handles
0.35	N/A	<input type="checkbox"/> B-0199-01-N035	N/A	<input type="checkbox"/> B-0199-06-N035	<input type="checkbox"/> B-0107 (1.42 GPM)	<input type="checkbox"/> 4" Wrist Action
0.5	N/A	<input type="checkbox"/> B-0199-01-N05	N/A	<input type="checkbox"/> B-0199-06-N05	<input type="checkbox"/> B-0107-C (0.65 GPM)	<input type="checkbox"/> Lever (Standard)
1.0	<input type="checkbox"/> B-0199-01-F10	N/A	<input type="checkbox"/> B-0199-06-F10	N/A	<input type="checkbox"/> B-0107-J (1.07 GPM)	<input type="checkbox"/> 4-Arm
1.2	<input type="checkbox"/> B-0199-01-F12	<input type="checkbox"/> B-0199-01-LF12	<input type="checkbox"/> B-0199-06-F12	<input type="checkbox"/> B-0199-06-LF12	<input type="checkbox"/> B-0108 (1.07 GPM)	
1.5	<input type="checkbox"/> B-0199-01-WS	<input type="checkbox"/> B-0199-29	<input type="checkbox"/> B-0199-06-WS	<input type="checkbox"/> B-0199-29VR	<input type="checkbox"/> B-0108-C (0.65 GPM)	
2.2	Standard	<input type="checkbox"/> B-0199-21	<input type="checkbox"/> B-0199-06	<input type="checkbox"/> B-0199-21-VRF		



T&S BRASS AND BRONZE WORKS, INC.



• 2 Saddleback Cove • Travelers Rest, SC 29690
 Ph 800-476-4103 • Fax 864-834-3518
 • Simi Valley, CA • Ph 800-423-0150 • www.tsbrass.com

Date: 08/17/18