



Architect/Engineering Specifications:

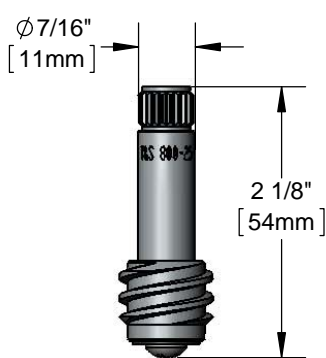
T&S B-1100 spindle replacement parts kit. Certified to NSF 61–Section 9 and NSF 372.

Job Name _____
 Model Specified _____ Quantity _____
 Variations Specified _____
 Date _____

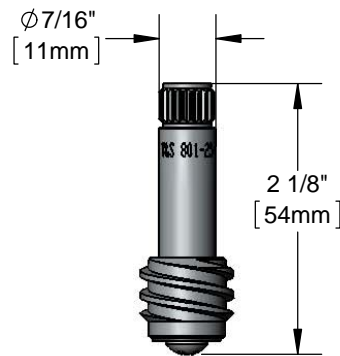


000800-25
Removable Spindle, RTC
Qty = 1 ea.

000801-25
Removable Spindle, LTC
Qty = 1 ea.



000800-25
Removable Spindle, RTC
Qty = 1 ea.



000801-25
Removable Spindle, LTC
Qty = 1 ea.

Features & Benefits:

- RTC and LTC B-1100 compression cartridges spindle kit w/ seat washers

Product Compliance:

- NSF 61 - Section 9
- NSF 372 (Low Lead Content)



Warranty: One Year (Limited)

Performance Data:

- N/A

