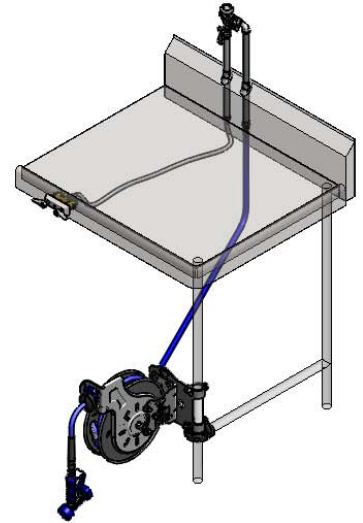
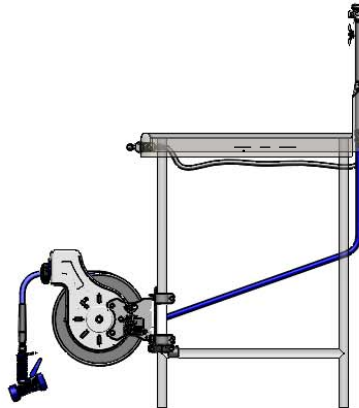
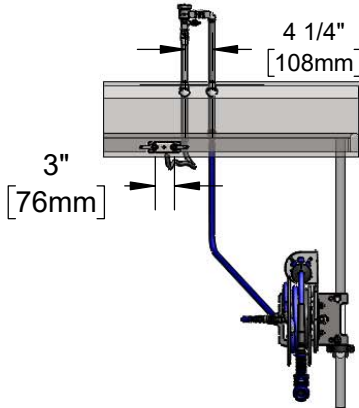




Architect/Engineering Specifications:

3" concealed wall mount mixing faucet with brass body, chrome plated brass escutcheon, compression cartridges with spring checks, lever handles, 3/8" NPT female inlets, continuous pressure vacuum breaker unit with angled slip flanges, 1200mm stainless steel flexible hose with 1/2" NPSM and 3/8" NPSM female ends, 72" flexible water hose connector with stainless steel quick disconnect, open stainless steel hose reel with 3/8" x 35' heavy-duty non-marking hose, ratcheting system, high flow rear trigger 5/16" water gun with swivel, stainless steel table leg swing bracket and adjustable hose bumper. Certified to ASSE 1056.

Job Name _____
 Model Specified _____ Quantity _____
 Variations Specified _____
 Date _____



Features & Benefits:

- All-in-one system with undercounter hoses
- 3" concealed wall mount mixing faucet w/ brass body
- Quarter-turn Eterna compression cartridges w/ spring checks to prevent cross flow of water
- Lever handles w/ color coded indexes
- 3/8" NPT female inlets
- 1/2" NPSM x 3/8" NPSM stainless steel flexible hose to connect faucet to vacuum breaker unit
- Wall brackets sold separately
- Continuous pressure vacuum breaker unit with angled slip flanges
- 72" flexible water hose connector with stainless steel quick disconnect
- Open stainless steel hose reel with adjustable hose bumper
- High flow rear trigger 5/16" water gun with heat resistant blue handle & swivel
- 3/8" x 35' heavy-duty non-marking hose rated to 300 PSI
- Ratcheting system holds the length of hose until a slight tug to retract automatically
- Stainless steel table leg swing bracket
- Material: Brass faucet body, stainless steel water gun and hose reel, chrome plated metal handles and chrome plated brass vacuum breaker.

Product Compliance:

- NSF 61 Exempt (Non-Potable)
- 2019 DOE PRSV Non-Compliant
- ASSE 1056 (VB)



Warranty: One Year (Limited)

- Hose Reel: Two Year (Limited)
- Hose: One Year (Limited)

Performance Data:

- Pressure: 20 - 125 psi [1.38 - 8.62 bar]
- Temperature: 40°F - 140°F [4.44°C - 60°C]
- Flow Rate: 2.79 [10.56 L/min] GPM @ 60 psi [4.14 bar]

Optional Hose Reel Spray Valves

- B-0107 Spray Valve
- B-0108 Ergonomic Medium Flow Spray Valve
- B-0108-H Ergonomic High Flow Spray Valve
- EB-0107 High Flow Spray Valve
- EB-2322 Extended Spray Wand
- MV-2516-24 Stainless Steel Rear Trigger Water Gun (Standard)
- MV-2522-24 Stainless Steel Front Trigger Water Gun
- MV-3516-24 Aluminum Rear Trigger Water Gun

