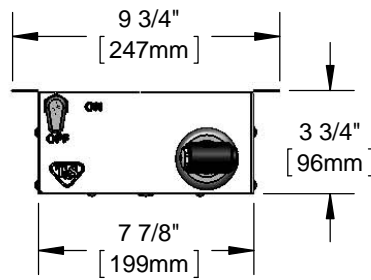
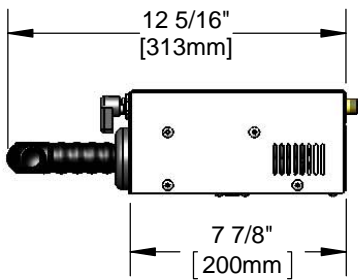
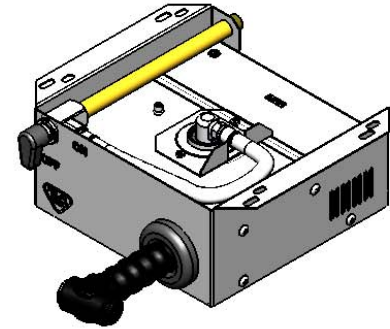




Architect/Engineering Specifications:

Enclosed reel with stainless steel shroud, quarter-turn ball valve shut-off, self-closing push button spray valve, 6' black hose, ratcheting system, anti-lockout and 1/4" NPT male inlet.

Job Name _____
Model Specified _____ Quantity _____
Variations Specified _____
Date _____



Features & Benefits:

- Enclosed reel with stainless steel shroud
- self-closing, push button spray valve
- 6' black hose rated to 300 PSI
- ratcheting system holds the length of hose until a slight tug to retract automatically
- 1/4" NPT male inlet
- Quarter-turn ball valve shut-off
- Under-counter mounting
- Material: Stainless steel shroud, nitrile hose, steel hub and spring

Product Compliance:

- NSF 61 Exempt (Non-Potable)
- EPAAct 2005 Non-Compliant (PRSV)

Warranty: One Year (Limited)

Performance Data:

- Pressure: 20 - 125 psi
- Temperature: 40 °F - 140 °F
- Flow Rate: 1.69 GPM @ 60 psi

