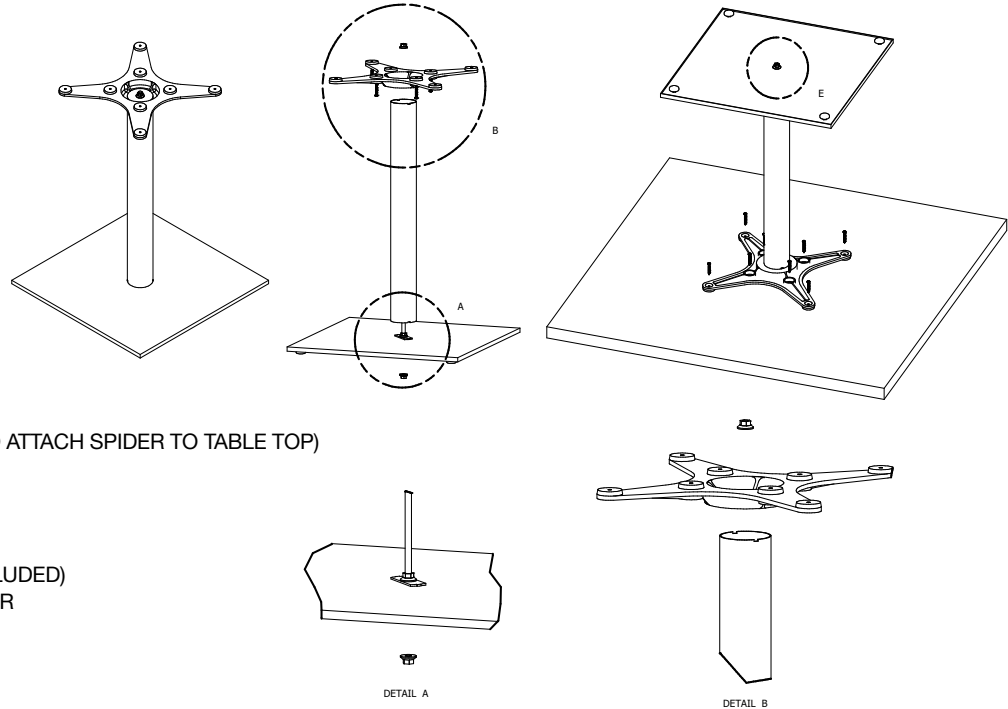




ASSEMBLY INSTRUCTIONS FOR STAINLESS STEEL TABLE BASE

020420

3601 S. Banker St. Effingham, IL 62401 • P.O. BOX 609 • Ph: (888) 431-2667 • Fax: (800) 433-2667



PARTS:

- (1) BASE PLATE
- (1) COLUMN
- (1) THREADED ROD
- (1) SPIDER

HARDWARE:

- (8) #10 X 1-1/2" SCREW (TO ATTACH SPIDER TO TABLE TOP)
- (3) HEX NUTS

TOOLS REQUIRED:

- SOCKET WRENCH (INCLUDED)
- PHILLIPS SCREW DRIVER
- POWER DRILL
- 5/32" DRILL BIT

INSTRUCTIONS:

MAKE CERTAIN ASSISTANCE IS AVAILABLE WHEN SETTING TABLE UPRIGHT TO AVOID INJURY TO YOURSELF OR THE TABLE.

- ALLOW AMPLE ROOM FOR ASSEMBLY IN CLOSE PROXIMITY TO WHERE THE PRODUCT WILL BE PLACED
- CHECK ALL OF THE PARTS AND QUANTITIES ARE INCLUDED BEFORE ASSEMBLY. CONTACT CUSTOMER SERVICE FOR MISSING PARTS
- DO NOT USE POWER TOOLS TO ASSEMBLE THIS PRODUCT, DO NOT OVER-TIGHTEN ANY FITTINGS
- 1. REMOVE ALL PACKAGING MATERIAL FROM THE CARTON
- 2. REMOVE (1) HEX NUT FROM ONE END OF THE THREADED ROD WITH (2) HEX NUTS
- 3. RUN ONE HEX NUT UP THREADED ROD UNTIL APPROXIMATELY 3/4" OF THREADS ARE EXPOSED TO ALLOW ROOM TO GO THROUGH BASE PLATE
- 4. THREAD ON HEX NUT FROM STEP 3 ON BOTTOM SIDE OF BASE PLATE AND TIGHTEN. INSURE THREADED ROD IS FLUSH WITH TOP OF HEX NUT. IF THREADED ROD STICKS PAST TOP OF HEX NUT, THREAD HEX NUT ON TOP SIDE OF BASE PLATE DOWN. SEE DETAIL A.
- 5. LAY BASE PLATE FACE UP ON FLOOR WITH THREADED ROD STICKING UP AND REMOVE SINGLE HEX NUT ON ALL-THREAD
- 6. PLACE COLUMN OVER THREADED ROD AND ALIGN NOTCH ON COLUMN TO KEY ON BASE PLATE
- 7. PLACE SPIDER ON TOP OF THREADED ROD, ALIGNING THE SPIDER KEY TO COLUMN NOTCH. SEE DETAIL B.
- 8. THREAD HEX NUT ON TOP OF SPIDER AND TIGHTEN
- 9. PLACE WOOD TOP TABLE FACE DOWN ON A CLEAN, SOFT, FLAT SURFACE (CARPET/RUG) TO PREVENT WOOD TABLETOP FROM GETTING SCRATCHED
- 10. WITH THE TABLETOP LAYING ON ITS TOP, CENTER SPIDER ON TOP. ENSURE TO CLOCK BASE SO SQUARE BASE PLATE EDGE IS PARALLEL TO SQUARE TABLETOP EDGE
- 11. MARK SPIDER HOLE PATTERN ON BOTTOM OF TABLETOP WITH A PENCIL OR MARKER
- 12. USING A POWER DRILL AND 5/32" DIAMETER DRILL BIT, DRILL MARKED HOLES 1-1/8" DEEP. *TIP: WRAP ELECTRICAL TAPE AROUND DRILL BIT 1-1/8" FROM CUTTING END OF DRILL BIT TO ENSURE HOLE DEPTH DOES NOT EXCEED 1-1/8" DEEP*
- 13. ALIGN HOLES IN SPIDER TO PRE-DRILLED HOLES IN TABLETOP AND USE PHILIPS SCREWDRIVER TO TIGHTEN #10 SCREWS ATTACHING THE BASE TO THE TOP
- 14. FLIP ASSEMBLED TABLE OVER AND SET UPRIGHT

sales@johnboos.com

www.johnboos.com