



# Instruction Manual

## Refrigerated Counter Top Displays

This manual contains important information regarding your unit. Please read this manual thoroughly prior to equipment set-up, operation and maintenance. Failure to comply with regular maintenance guidelines outlines in this manual may void the warranty.

## WARNINGS

- This refrigerator must be installed with all electrical connections in accordance with state and local codes.
- When the unit is not being used for an extended period of time, unplug the unit from the outlet
- The unit should not be located next to ovens, grills or other sources of high heat.
- Do not attempt to repair or replace any part of this unit unless specifically recommended in this manual. All other servicing should be referred to a qualified technician.
- Never allow children to operate, play with or climb inside the refrigerator
- Never clean refrigerator parts with flammable fluids. These fumes can create a fire hazard or explosion. Do not store or use gasoline or other flammable vapors and liquids in the vicinity of this or any other appliance as the fumes can create a fire hazard or explosion.
- Do not connect or disconnect the electric plug when your hands are wet.
- Do not block the suction vents. These vents allow air to be sucked in and cold air to be circulated inside the refrigerator.
- Do not block air outlets
- Adjust the rack height for proper food storage
- Do not attempt to remove or repair any components
- Do not alter or tamper with the electrical cord
- Do not use this refrigerator for other than its intended purpose.

## FEATURES

1. Rack
2. Glass door
3. Air Suction
4. Air Outlet

Glass Door

Air Suction

Never block suction.  
Air is sucked in and cold air is circulated inside the refrigerator



Rack

The height of rack adjustable for various goods. For adjustment:

- 1) Take out the rack
- 2) Move the rack support on suitable height.
- 3) Put the rack on the support

Air Outlet

Never block the air outlet. Let inside circulating cold air flow out

## TO INSTALL:

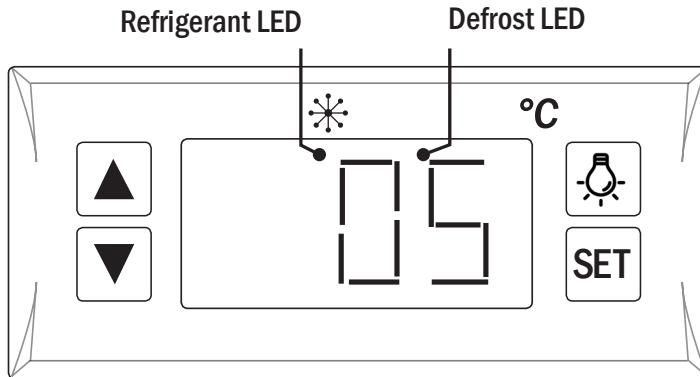
1. Remove unit from box and make sure all plastic, tape and packaging materials are removed.
2. Place the unit on a flat, secure surface with at least 4" of open space around all sides.
3. Place the unit in an area that is not in direct sunlight or any other sources of heat.
4. Wait 2 hours before connecting to a power source
5. Plug the refrigerator into a 110-120V exclusive outlet. Do not use an extension cord. This unit must be plugged directly into an outlet.

## TO USE:

1. The yellow switch controls the LED light
2. The green light indicates that the freezer is properly connected to electrical power.  
This light will glow even when the temperature control is turn to "0" or the compressor has failed.
3. Turn the temperature control clockwise to raise temperature and anti-clockwise to lower.

## The functions of the Digital Temperature Controller are:

- Temperature Display
- Temperature Control
- Manual and Automatic Defrost
- Illumination Control
- Value Storing
- Self-Testing
- Parameter Locking



## DIGITAL CONTROLS

### Set temperature:

- Press "SET" button to display the current temperature
- Press the up or down arrow to set the temperature desired
- Press "SET" again to save settings

### Illumination

- Press "light bulb" button to turn lights on and off

### Manual defrost

- Press "light bulb" button and hold for 6 seconds to start and stop defrost cycle

### Refrigerant LED Light

- During refrigeration, the LED light will be on
- When temperature is constant, the LED light will be off
- During delay start, the LED light will flash

### Defrost LED Light

- During defrosting, the LED light will be on
- When defrosting is complete the LED light will turn off
- During delay display of the defrost cycle, the LED light will flash

## REGULAR MAINTENANCE

### Cleaning

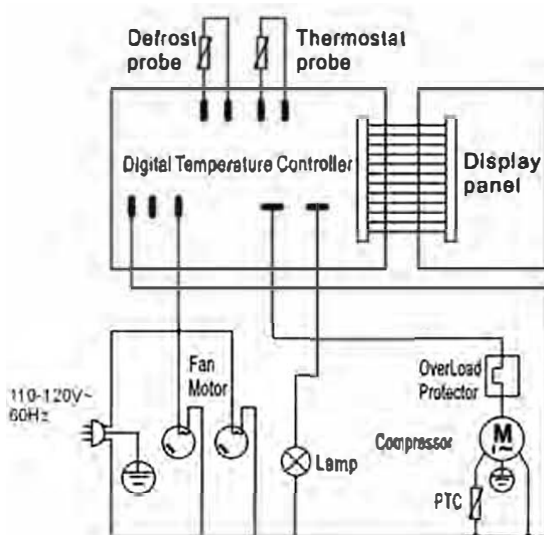
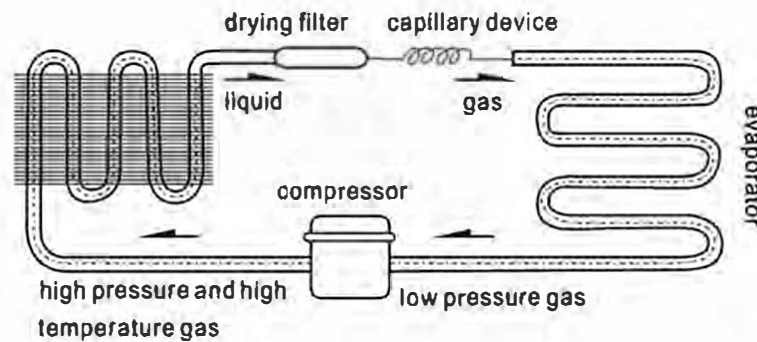
- Unplug the refrigerator before performing any maintenance.
- Use a soft cloth and neutral dish detergent to clean the outside of the refrigerator and then wipe with a soft dry cloth
- Remove the rack and wash with water. Use a soft cloth to wipe the inside of the unit.

## TROUBLESHOOTING

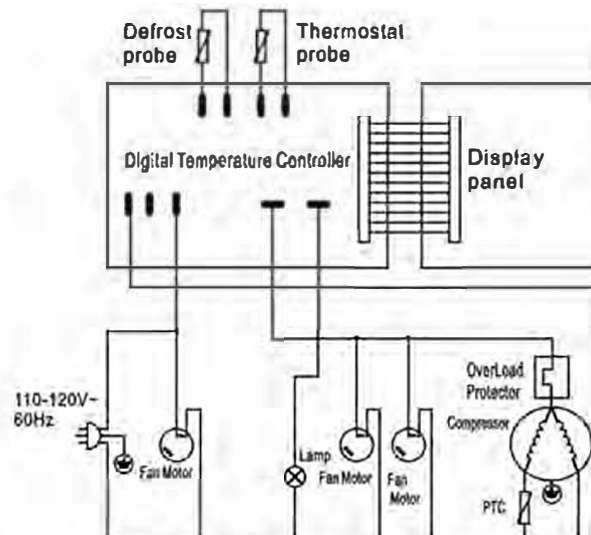
SYMPTOM	POSSIBLE CAUSE	CORRECTIVE ACTION
Unit is not operational	No power	Ensure plug is connected to outlet
Unit is not cooling efficiently	Insufficient refrigerant Thermostat set too high Overloading Air suction and outlets are blocked	Refill refrigerant Set thermostat to a lower temperature Remove some contents Move food away from outlets
Noisy Operation	Unit is against wall or other obstruction	Move away from obstruction

**NOTE:** The murmur of water will be heard when the refrigerator is operational. This is the sound of coolant circulating throughout the system and is expected. Condensation may form on the outside of the refrigerator in humid conditions. This is not a malfunction. Simply use a cloth to remove it.

## WIRING DIAGRAM



120/160



130-1/160-2

# ACE Equipment One Year Limited Warranty

ACE warrants its equipment against defects in materials and workmanship, subject to the following conditions:

ACE Equipment is warranted for one year, effective from the date of purchase by the original owner. A copy of the original receipt or other proof of purchase is required to obtain warranty coverage. This warranty applies to the original owner only, and is not assignable.

Should any product fail to function in its intended manner under normal use within the limits defined in this warranty, at ACE's discretion, such product will be repaired, replaced with a refurbished unit, or replaced with a new unit by ACE, after defective unit has been inspected and defect has been confirmed. ACE does not assume any liability for extended delays in replacing any item beyond its control. This warranty does not apply to rubber and non-metallic synthetic parts that may need to be replaced due to normal usage, wear or lack of preventative maintenance.

This warranty covers products shipped into the 48 contiguous United States, Hawaii, and metropolitan areas of Alaska and Canada. Warranty coverage on products used outside the 48 contiguous United States, Hawaii and metropolitan areas of Alaska and Canada may vary.

The following conditions are not covered by warranty:

- Equipment failure relating to improper installation, improper utility connection or supply and problems due to improper ventilation.
- Equipment that has not properly been maintained, damage from improper cleaning, and water damage to controls.
- Equipment that has not been used in an appropriate manner, or has been subject to misuse, neglect, abuse, accident, alteration, negligence, damage during transit, delivery or installation, fire, flood, riot, or act of God.
- Equipment that has the model number or serial number removed or altered.
- Equipment on which the security seal has been broken.

If the equipment has been changed, altered, modified, or repaired without express written permission from ACE, then the manufacturer shall not be liable for any damages to any person or to any property, which may result from the use of this equipment thereafter.

This equipment is intended for commercial use only and this warranty is void if equipment is used in other than a commercial application.

For warranty and non-warranty related issues, technical support, please contact NSA at 1-877-672-7740. To purchase replacement parts and warranty registration visit [www.admiralcraft.com](http://www.admiralcraft.com). Please have your model number, serial number and proof of purchase ready. It is not necessary to contact the place where you originally purchased your product from.

“THE FOREGOING WARRANTY IS IN LIEU OF ANY AND ALL WARRANTIES EXPRESSED OR IMPLIED INCLUDING ANY IMPLIED WARRANTY OF MERCHANTABILITY OR FITNESS FOR PARTICULAR PURPOSES AND CONSTITUTES THE ENTIRE LIABILITY OF ACE. IN NO EVENT DOES THE LIMITED WARRANTY EXTEND BEYOND THE TERMS STATED HEREIN.”

## WARRANTY REGISTRATION CARD

**MAIL CARD  
IMMEDIATELY**



This card must be mailed immediately after installation date for warranty to be in effect.

**National Service America • 230 Park Ave, Suite 1000 • New York, NY • 10169**

\_\_\_\_\_  
(Name of Business) (Dealer Purchased From)

\_\_\_\_\_  
(Address) (City) (State) (Zip Code)

\_\_\_\_\_  
(Model Number) (Serial Number)

This is to inform that I, \_\_\_\_\_  
(Please print name of individual who owns business)

have had the above installed in my place of business \_\_\_\_\_  
(Date of Purchase)

\_\_\_\_\_  
(Contact Phone Number) (Contact E-mail) (Signature of Individual Who Owns Business)