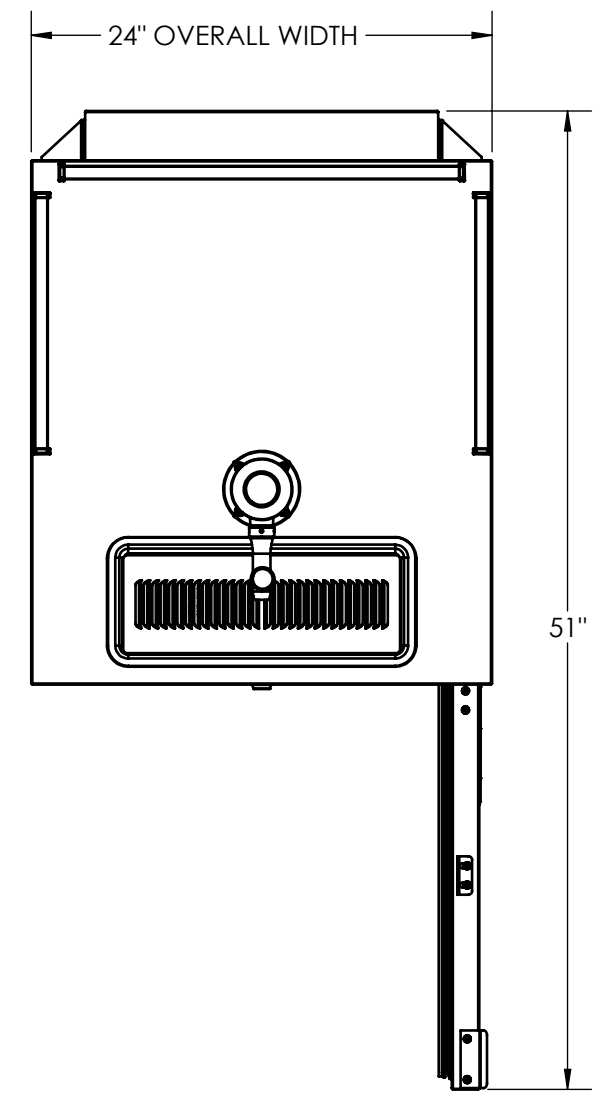
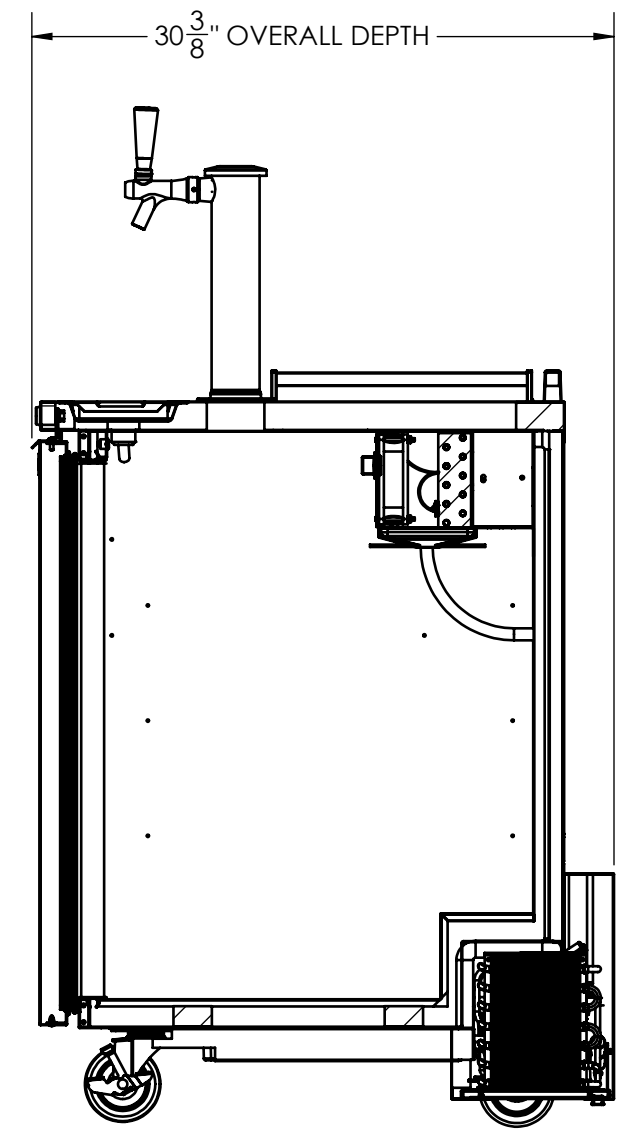
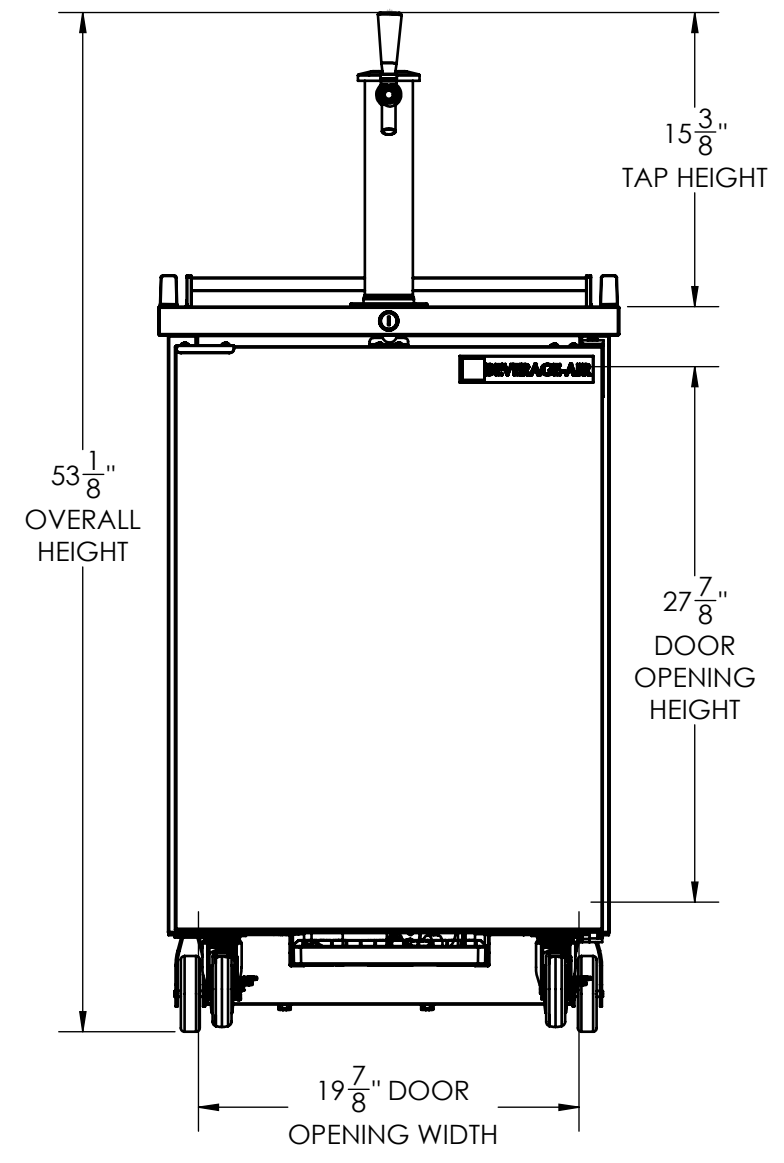


8 7 6 5 4 3 2 1

D
C
B
A

D
C
B
A



THIRD ANGLE PROJECTION	UNLESS OTHERWISE SPECIFIED:		
	DIMENSIONS ARE IN INCHES TOLERANCES: ANGULAR: ± 1° X/X ± 1/16 ONE PLACE DECIMAL ± .05 TWO PLACE DECIMAL ± .005	BROOKVILLE, PA beverage-air.com WINSTON-SALEM, NC victoryrefrigeration.com	
ENGINEERING REQUIREMENTS:	PROPRIETARY AND CONFIDENTIAL	TITLE: CABINET ASSY BM23HC	
SP100	THE INFORMATION CONTAINED IN THIS DRAWING IS THE SOLE PROPERTY OF BEVERAGE-AIR CORPORATION. ANY REPRODUCTION IN PART OR AS A WHOLE WITHOUT THE WRITTEN PERMISSION OF BEVERAGE-AIR CORPORATION IS PROHIBITED.	SIZE B	DWG. NO. BM23HC-S-31
		SCALE: 1:10	INITIAL DESIGNER: MBC SHEET 1 OF 2

***** END OF REV *****

	INITIAL RELEASE FOR PRODUCTION				
REV	REVISION RECORD	DATE	BY	CHK	ECN. NO.

8 7 6 5 4 3 2 1