



Parts Breakdown BMPS001 Two Pass Pizza Sheeter

FIGURE 1

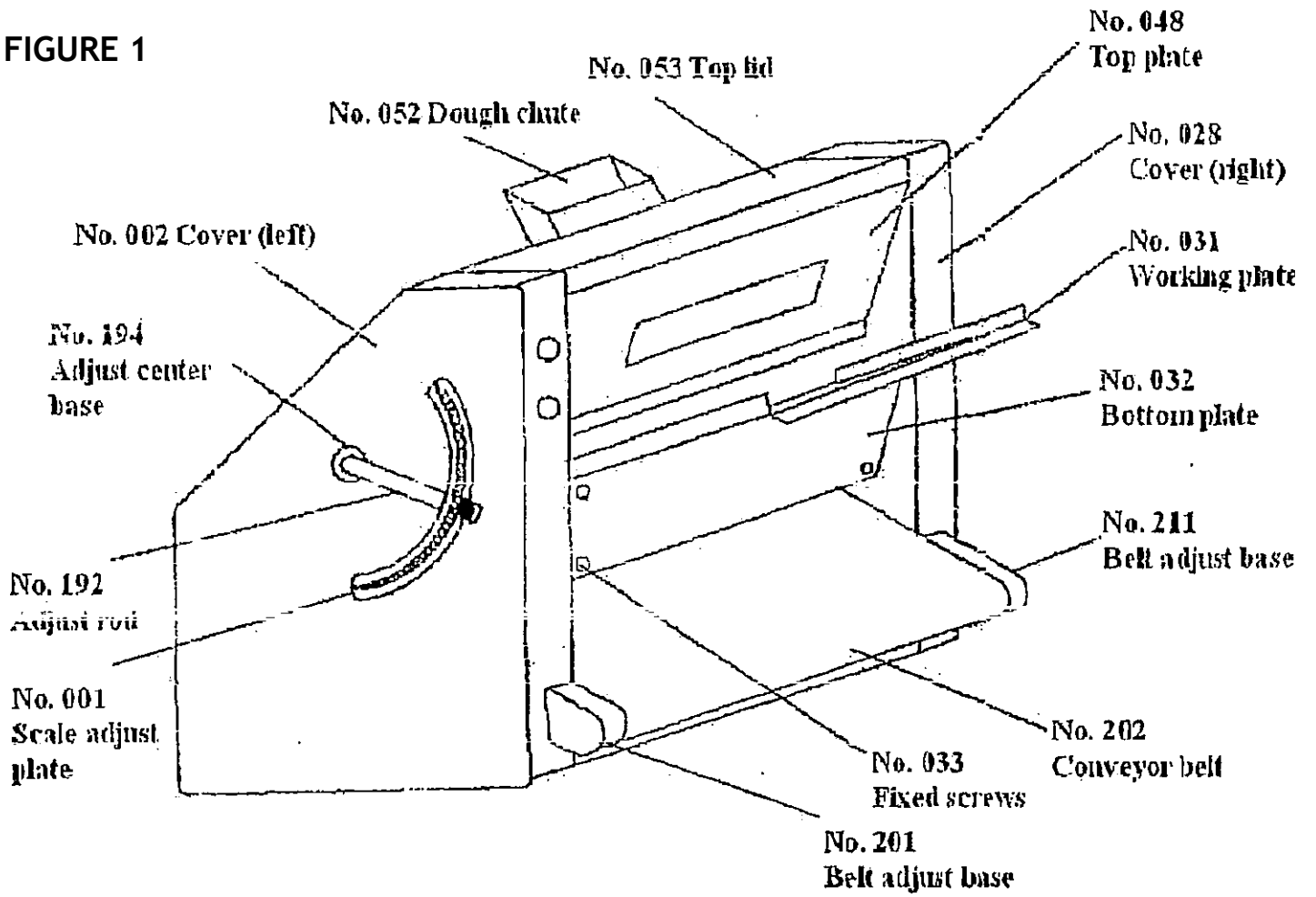


FIGURE 2

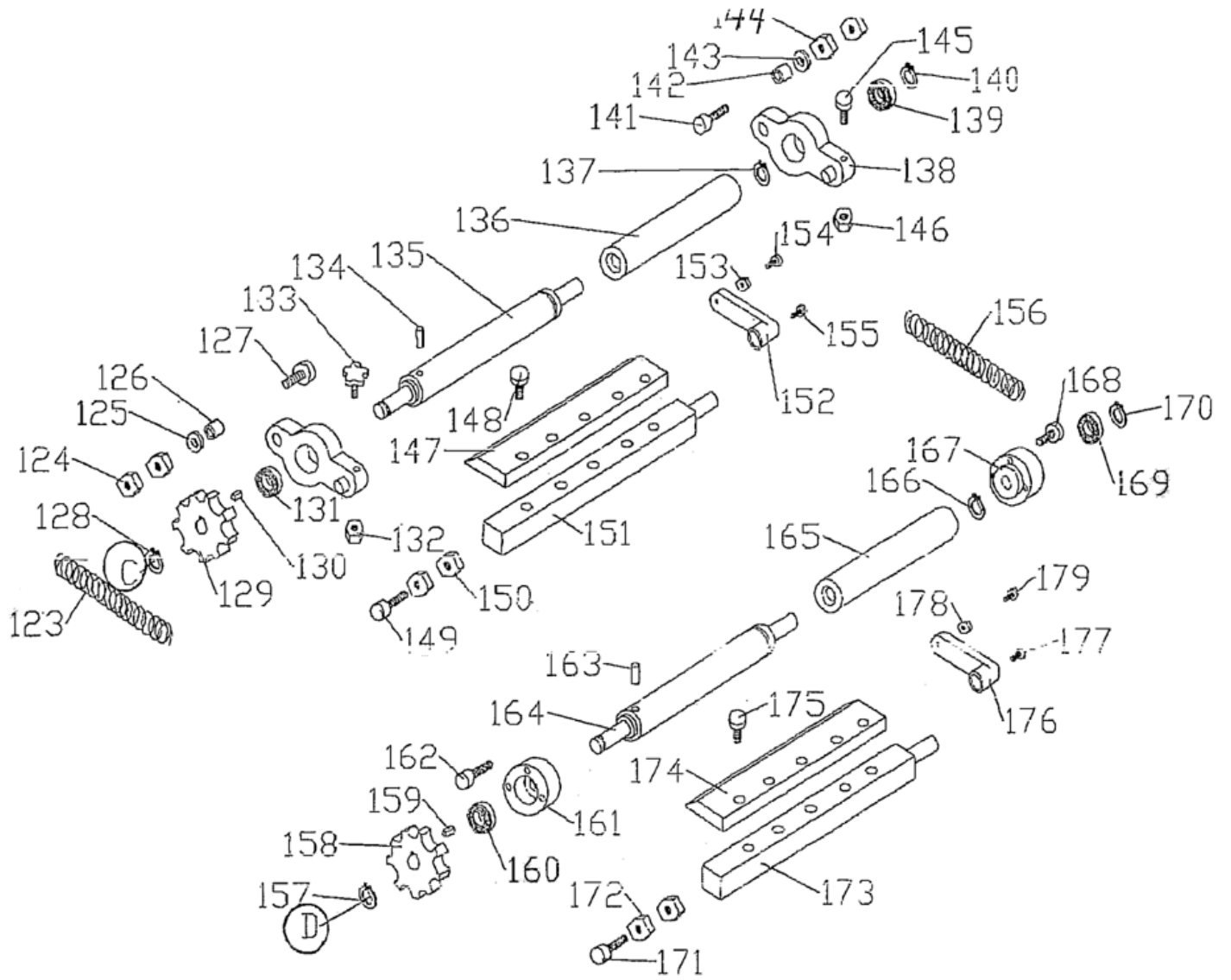


FIGURE 3

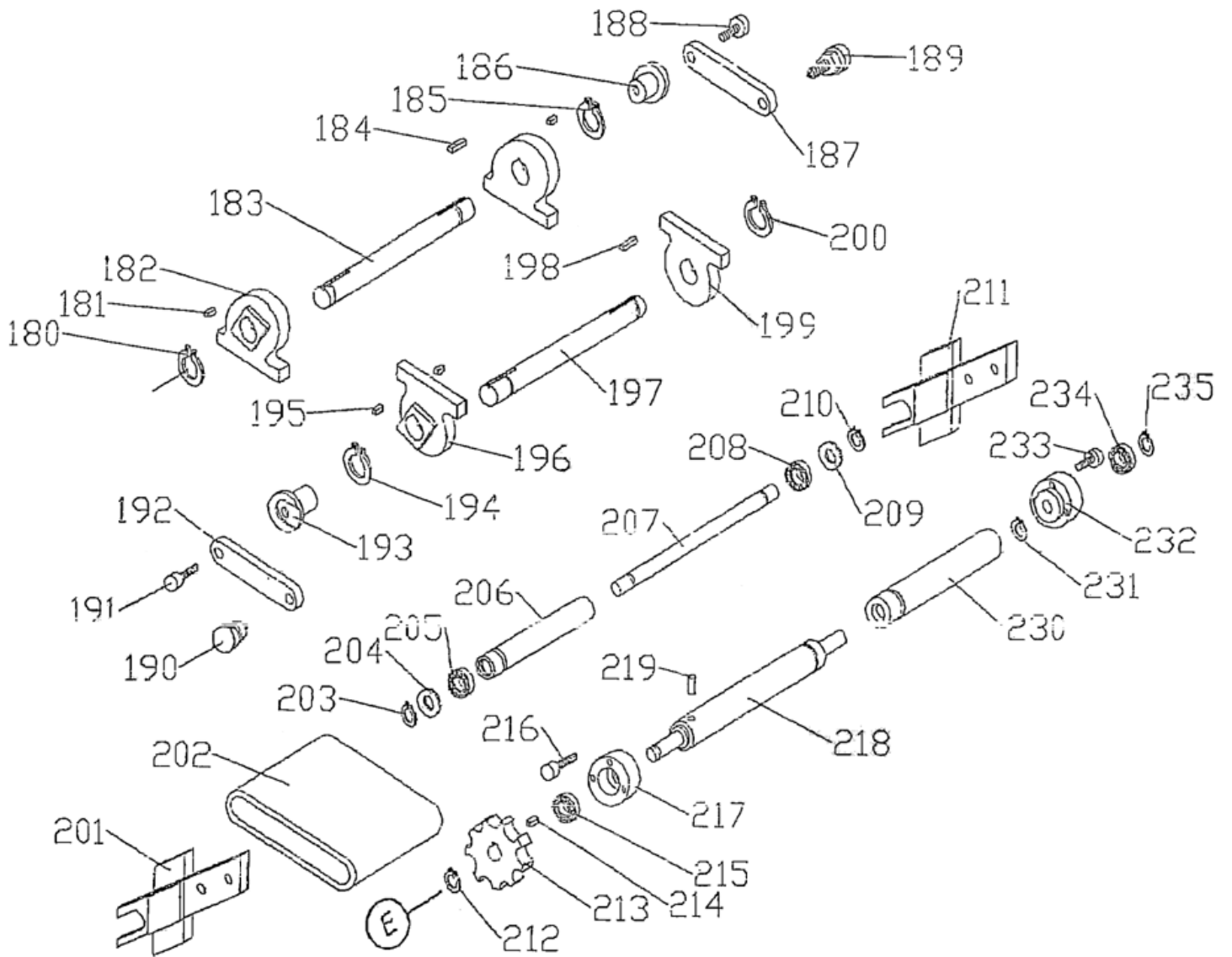


FIGURE 4

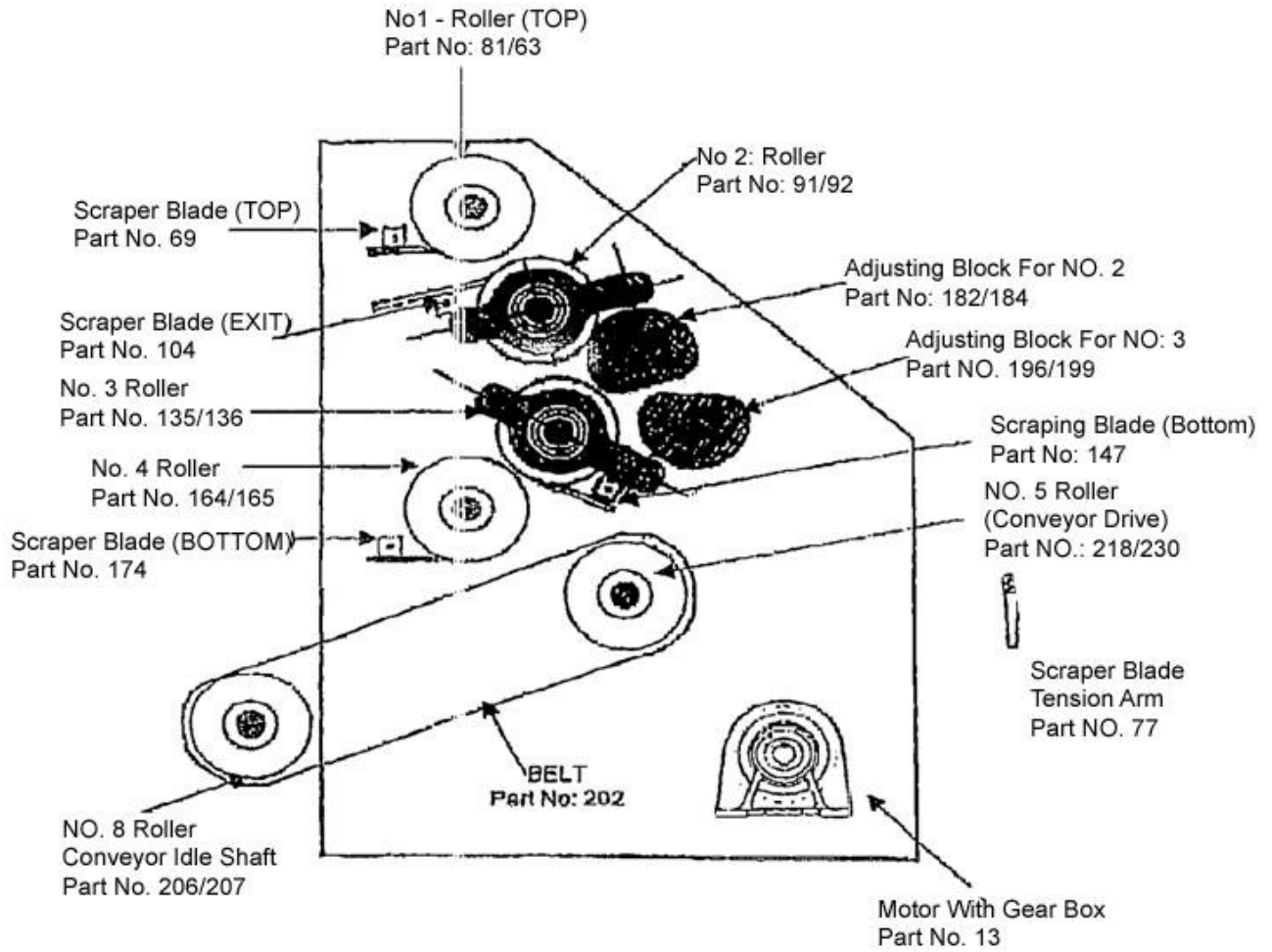


FIGURE 5

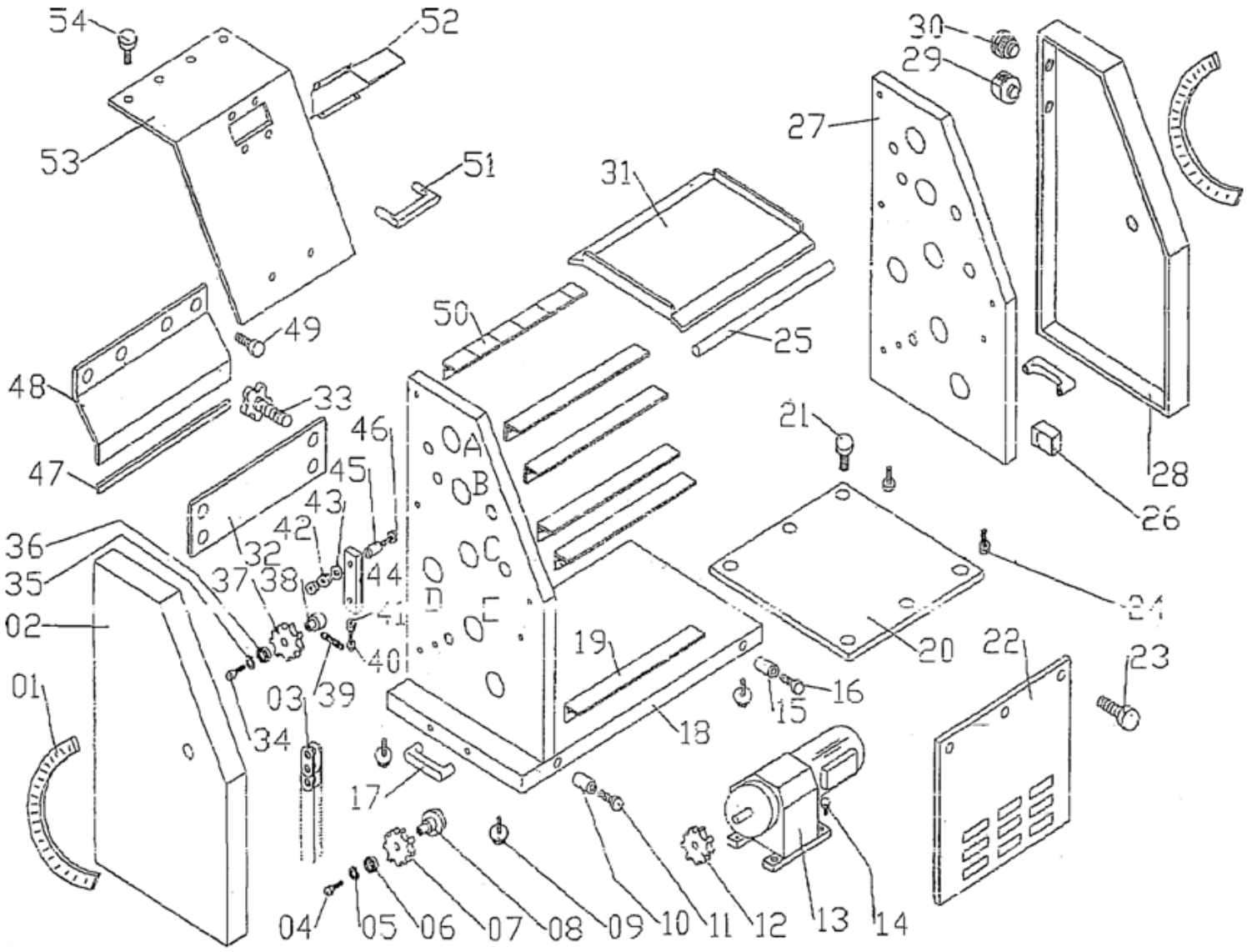
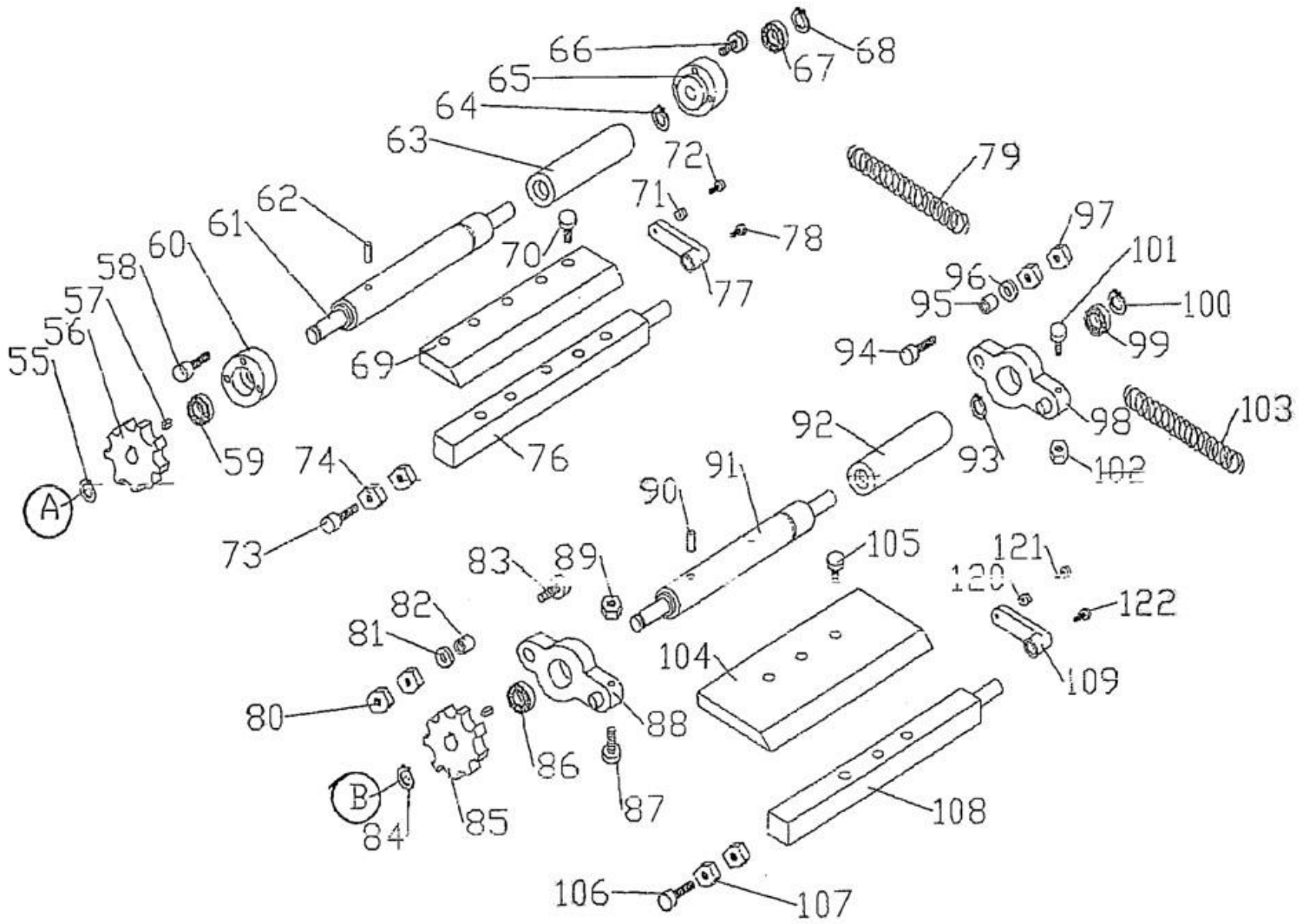


FIGURE 6



Machinery parts for BMPS001

No	Name of Parts	Qty	No.	Name of Parts	Q'ty
001	Scale adjust plate	2	028	Cover (right)	1
002	Cover (left)	1	029	Start switch	1
003	Chain	1	030	Stop switch	1
004	Screw (M10)	1	031	Slide ST plate	1
005	Ring	1	032	Acrylic protect plate	1
006	Bearing	1	033	Fixed screw	4
007	Chain Gear 15T	1	034	Screw M10 x 30L	1
008	Bearing support	1	035	Ring	1
009	Base adjust screw	1	036	Bearing	1
010	Rear protect bush	1	037	Chain gear 15T	1
011	Screw M6 xSOL S T	1	038	Chain gear support	1
012	Motor chain gear 35T	1	039	Spring	1
013	Motor	1	040	Screw 6 x 30L	1
014	Motor fixed screw	4	041	Nut-	1
015	Rear protect bolt	1	042	Nut	1
016	Screw M6x50L ST	1	043	Washer	1
017	Bow handle	2	044	Movable block	1
018	Base	1	045	Bush	1
019	Fixed angle bar	5	046	Screw	1
020	Acrylic protect plane	1	047	PE bar	1
021	Fixed screw	6	048	Acrylic cover	1
022	Rear acrylic plate	1	049	Screw	4
023	Fixed screw	6	050	Movable rear buckle	1
024	Screw	4	051	Bow handle	1
025	Chrome round rod	1	052	ST slide slot	1
026	Junction box	1	053	Acrylic protect cover	1
027	Side plate	1	054	Fixed screw	4

Machinery parts for BMPS001

No	Name of Part	Q'ty	No.	Name of Parts	Q'ty
055	Ring	1	085	Chain gear 18T	1
056	Chain gear 18T	1	086	Bearing	1
057	Key	1	087	Adjust screw	1
058	Screw	1	088	Bearing support	1
059	Bearing	1	089	Nut	1
060	Bearing support	1	090	Cotter pin	1
061	Shaft (No. 1)	1	091	Shaft (No. 2)	2
062	Cotter pin	1	092	UPE roller (No. 2)	2
063	UPE roller (No. 1)	1	093	Ring	1
064	Ring	1	094	Screw	1
065	Bearing support	1	095	Bush	1
066	Screw	3	096	Washer	1
067	Bearing	1	097	Nut	2
068	Ring	1	098	Bearing support	1
069	Scraper	1	099	Bearing	1
070	Screw		100	Ring	1
071	Nut	1	101	<i>Screw</i>	1
072	Screw	1	102	Nut	1
073	Screw	1	103	Spring	1
074	Nut	2	104	Scraper	1
076	Scraper fixed rod	1	105	Screw	7
077	Scraper tension an as	1	106	Screw	1
078	Screw	1	107	Nut	2
079	Spring	1	108	Scraper fixed rod	1
080	Nut	2	109	Scraper tension arms	1
081	Washer	1	120	Nut	1
082	Bush	1	121	Screw	1
083	Screw	1	122	Screw	1
084	Ring	1			

Machinery parts for BMPS001

No	Name of Parts	Q'ty	No	Name of Parts	Q'ty
123	Spring	1	152	Scraper tension arms	1
124	Nut	2	153	Nut	1
125	Washer	1	154	Screw	1
126	Bush	1	155	Screw	1
127	Screw	1	156	Spring	1
128	Ring	1	157	Ring	1
129	Chain gear 18T	1	158	Chain gear 18T	1
130	Key	1	159	Key	1
131	Bearing	1	160	Bearing	1
132	Nut	1	161	Bearing support	1
133	Screw	1	162	Screw	3
134	Cotter pin	1	163	Cotter pin	1
135	Shaft (No. 3)	1	164	Shaft (No. 4)	1
136	UPE roller (No. 3)	1	165	UPE roller (No. 4)	1
137	Ring	1	166	Ring	1
138	Bearing support	1	167	Bearing support	1
139	Bearing	1	168	Screw	3
140	Ring	1	169	Bearing	1
141	Screw	1	170	Ring	1
142	Bush	1	171	Screw	1
143	Wash	1	172	Nut	2
144	Nut	2	173	Scraper fixed rod	1
145	Screw	1	174	Scraper	1
146	Nut	1	175	Screw	9
147	Scraper	1	176	Scraper tension arms	1
148	Screw	9	177	Screw	1
149	Screw	1	178	Nut-	1
150	Nut	2	179	Screw	1
151	Scraper fixed rod	1			

Machinery parts For BMPS001

No	Name of Parts	Q'ty	No	Name of Parts	Q'ty
180	Ring	1	203	Ring	1
481	Key	1	204	Washer	1
182	Adjust block	2	205	Bearing	1
183	Adjust shaft	1	206	Front pulley	1
184	Key	1	207	Pulley shaft	1
185	Ring	1	208	Bearing	1
186	Adjust fixed support	1	209	Washer	1
187	Adjustment sheet	1	210	Ring	3
188	Screw	1	211	Belt fixed support	1
189	Adjust fixed screw	1	212	Ring	1
190	Adjust fixed screw	1	213	Chain gear	1
191	Screw	1	214	Key	1
192	Adjustment sheet	1	215	Bearing	1
193	Adjust fixed support	1	216	Screw	3
194	Ring	1	217	Bearing support	1
195	Key	1	218	UPE shaft	1
196	Adjust block	1	219	Cotter pin	1
197	Adjust shaft	1	230	UPE roller	1
198	Key	1	231	Ring	1
199	Adjust block	1	232	Bearing support	1
200	Ring	1	233	Screw	3
201	Pulley fixed support	1	234	Bearing	1
202	Belt	1	235	Ring	1