



# REVERSIBLE SHEETERS

## Parts Breakdown

*BMCRS01*  
*BMCRS02*

*BMFRS01*  
*BMFRS02*  
*BMFRS03*



## 6.PARTS CATALOG

### 6-1 PARTS CATALOG

#### FLOOR TYPE

|     |                                  |     |                                 |
|-----|----------------------------------|-----|---------------------------------|
| NO. | MAME                             | NO. | MAME                            |
| 1   | key                              | 2   | Shaft sprocket                  |
| 3   | Deep groove ball bearing 600-1ZZ | 4   | Bearing block                   |
| 5   | Shaft sprocket                   | 6   | Chain                           |
| 7   | Chain                            | 8   | Pin bearing FC-20               |
| 9   | Deep groove ball bearing 6U03ZZ  | 10  | C. Retainer ring S-17           |
| 11  | Stay                             | 12  | Chain                           |
| 13  | Shaft sprocket                   | 14  | Chain                           |
| 15  | Chain                            | 16  | Spacers                         |
| 17  | Washer, Oat                      | 18  | Bolt                            |
| 19  | Support bracket                  | 20  | Rear panel                      |
| 21  | Rear casing                      | 22  | Deep groove ball bearing 6205ZZ |
| 23  | C. Retainer ring R-52            | 24  | Chain                           |
| 25  | C. Retainer ring S-70            | 26  | Expansion spring                |
| 27  | Connecting board                 | 28  | Lever ring                      |
| 29  | Chain                            | 30  | Chain                           |
| 31  | Deep groove ball bearing 6205ZZ  | 32  | Chain                           |
| 33  | Motor                            | 34  | Conveyor belt                   |
| 35  | Bolt, adjustable                 | 36  | Left support bracket            |
| 37  | Right support bracket            | 38  | Extension catch pan             |
| NO. | MAME                             | NO. | MAME                            |
| 39  | Shaft, driven                    | 40  | C. Retainer ring S-17           |
| 41  | Deep groove ball bearing 6203ZZ  | 42  | Roller                          |
| 43  | Rase                             | 44  | Connecting rod                  |
| 45  | Left support bracket             | 46  | Right support bracket           |
| 47  | Base                             | 48  | Bearing block                   |
| 49  | Deep groove ball bearing 6003ZZ  | 50  | Thrust ball bearing 51203       |
| 51  | Shall, roll                      | 52  | Bearing block                   |
| 53  | Axle, supporting                 | 54  | Nut                             |
| 55  | Seat, sliding                    | 56  | Deep groove ball bearing 6205ZZ |
| 57  | Up roller                        | 58  | Bolt, adjustable                |
| 59  | Lever, dead                      | 60  | Link mass                       |
| 61  | Torsional spring                 | 62  | Bar, fulcrum                    |
| 63  | Strickle sweep                   | 64  | Bar, fulcrum                    |
| 65  | Front casing                     | 66  | Roller head housing             |
| 67  | Stop pin                         | 68  | Safety guard                    |
| 69  | Deep groove ball bearing 6205ZZ  | 70  | Down roller                     |
| 71  | Strickle sweep                   | 72  | Bolt, support                   |
| 73  | Bolt, anchor block               | 74  | Set screw                       |
| 75  | Expansion spring                 | 76  | Rings                           |
| 77  | Trigger                          | 78  | Microswitch                     |
| 79  | Bolt, hexagon head               | 80  | Washer, spring                  |
| NO. | MAME                             | NO. | MAME                            |
| 81  | Washer, flat                     | 82  | Trigger                         |
| 83  | Microswitch                      | 84  | Bolt                            |
| 85  | Compression spring               | 86  | Ball                            |
| 87  | Fixed support                    | 88  | Locating mass                   |

|     |                        |     |                      |
|-----|------------------------|-----|----------------------|
| 89  | Movement control lever | 90  | Bolt, shaft          |
| 91  | C. Retainer ring S-25  | 92  | Connecting board     |
| 93  | Graduated scale        | 94  | Finger               |
| 95  | Handle base            | 96  | Front panel          |
| 97  | Washer, flat           | 98  | Handle               |
| 99  | Spacers                | 100 | Spacers              |
| 101 | Bolt cover             | 102 | Fin                  |
| 103 | Compression spring     | 104 | Trigger, locking pin |
| 105 | Locking mass           | 106 | Rail rest            |
| 107 | Bolt, cheese head      | 108 |                      |

Figure 1  
Floor Model

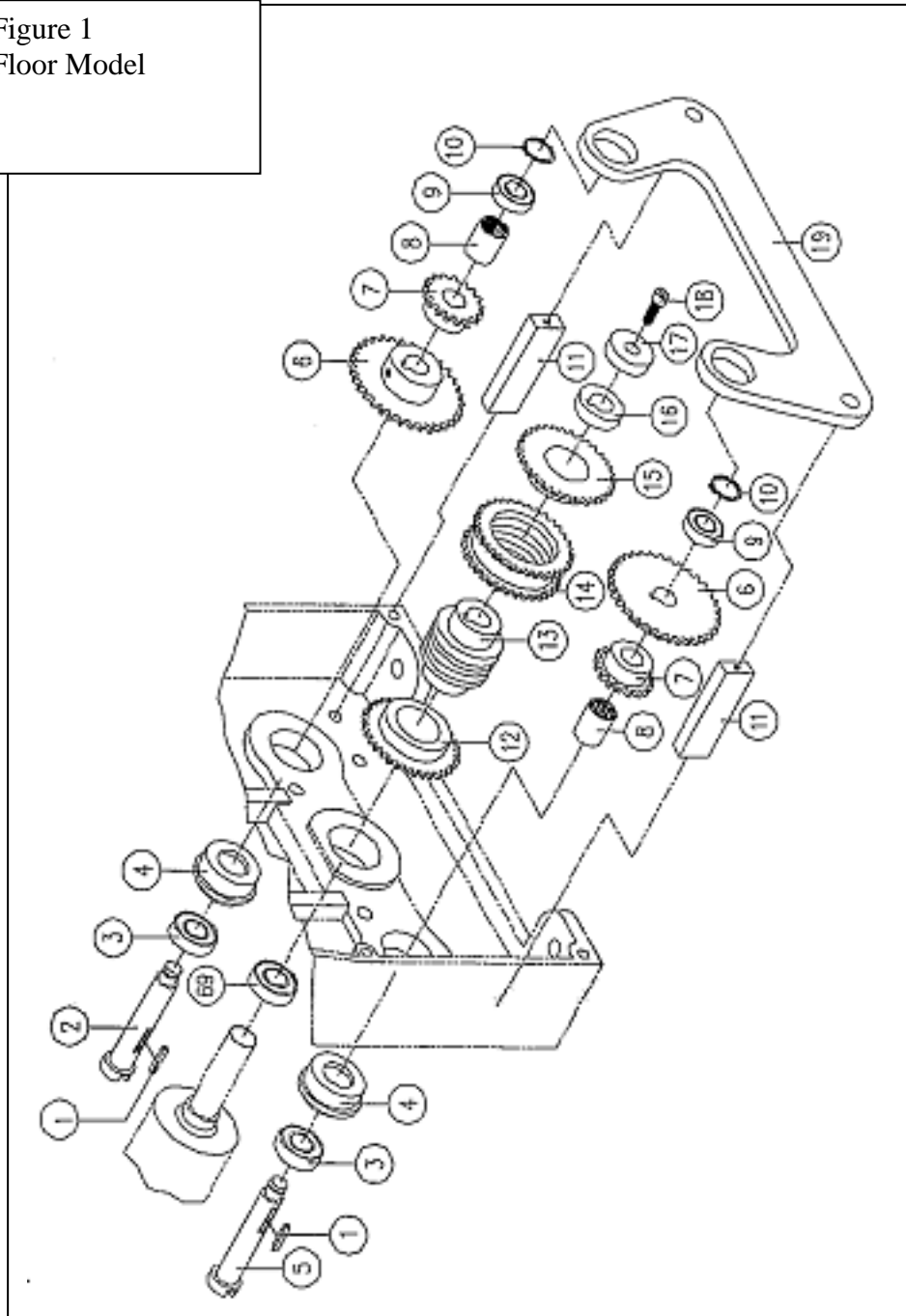


Figure 1-2  
Floor Model

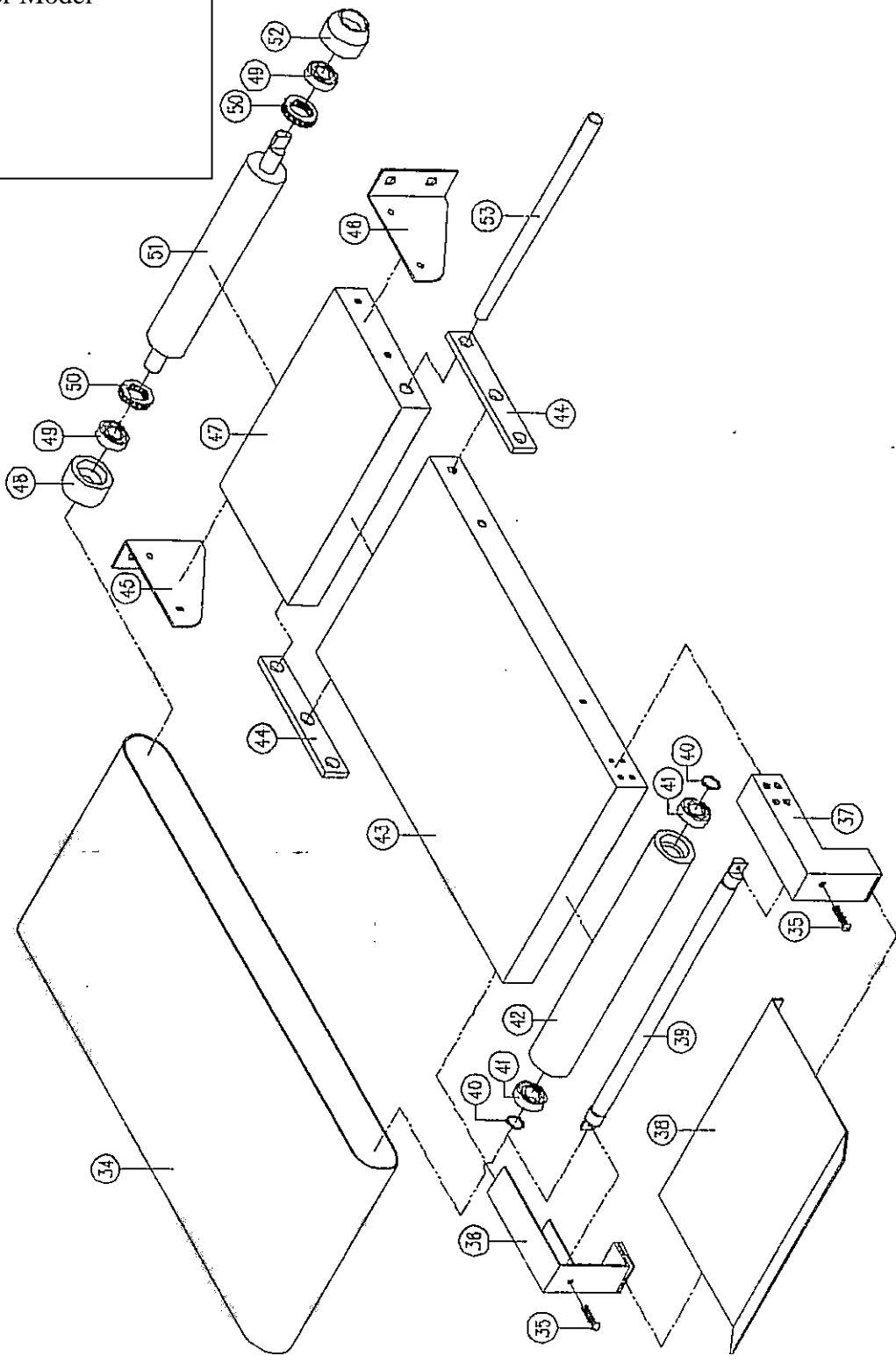


Figure 2  
Floor Model

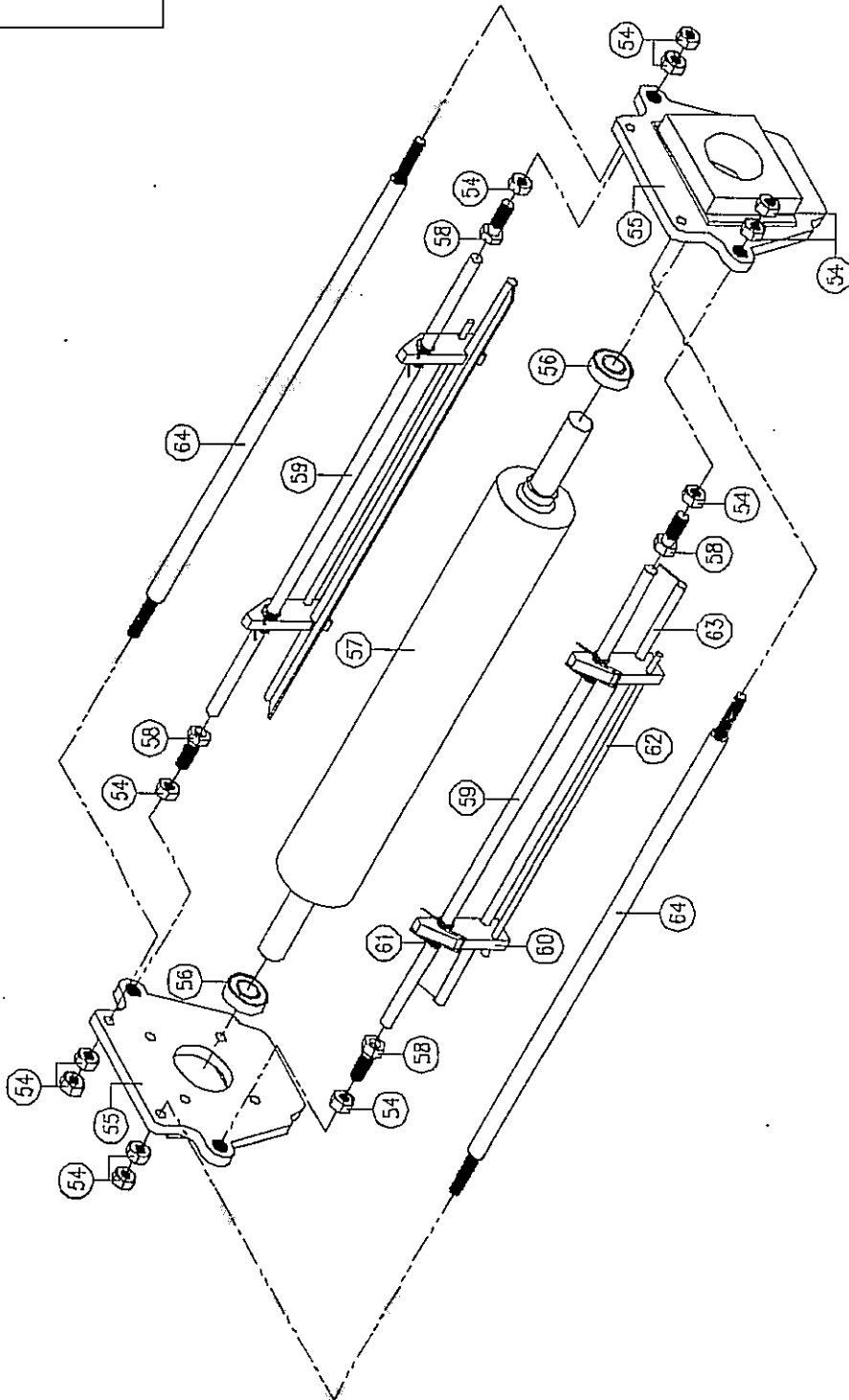


Figure 3  
Floor Model

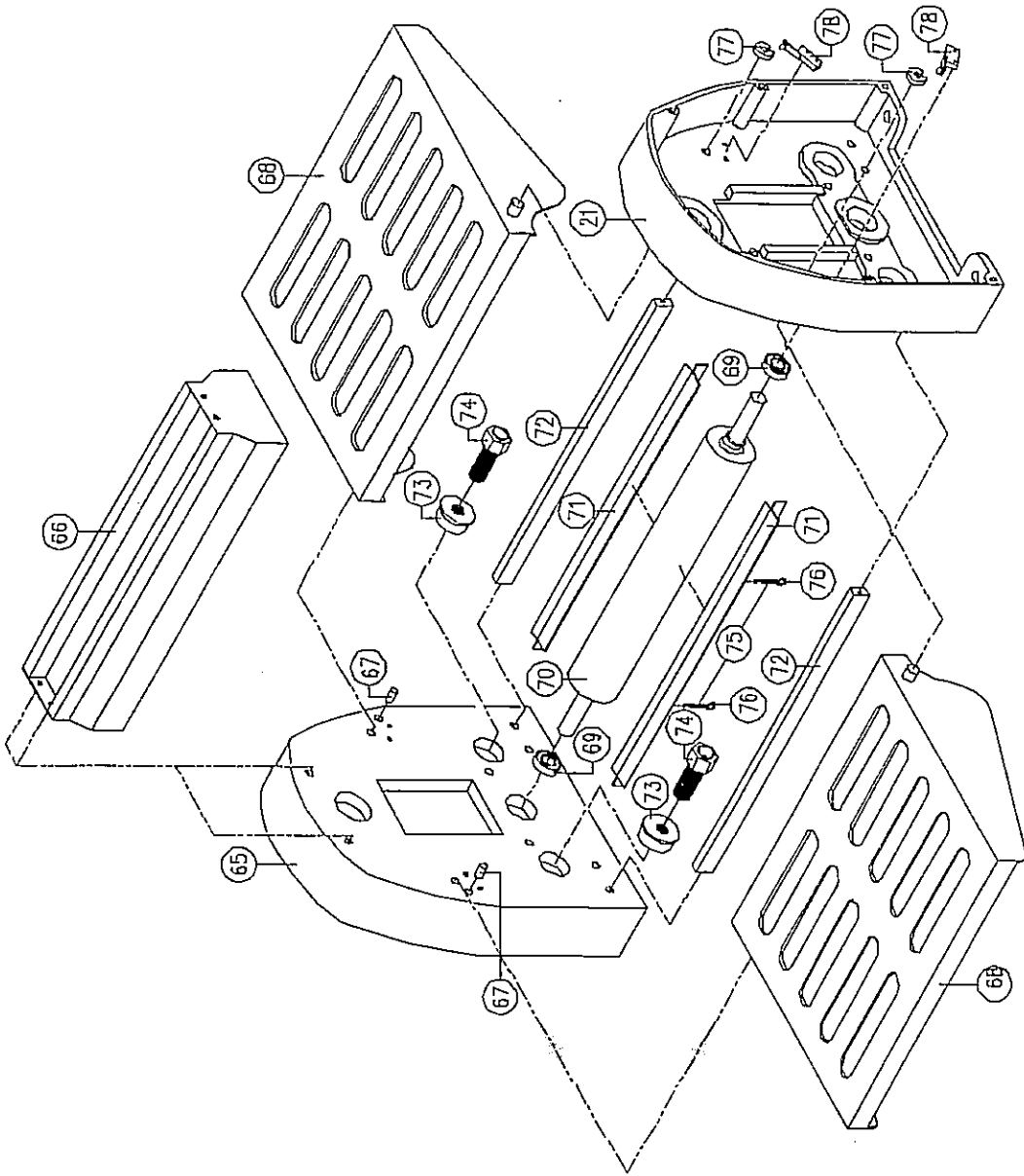
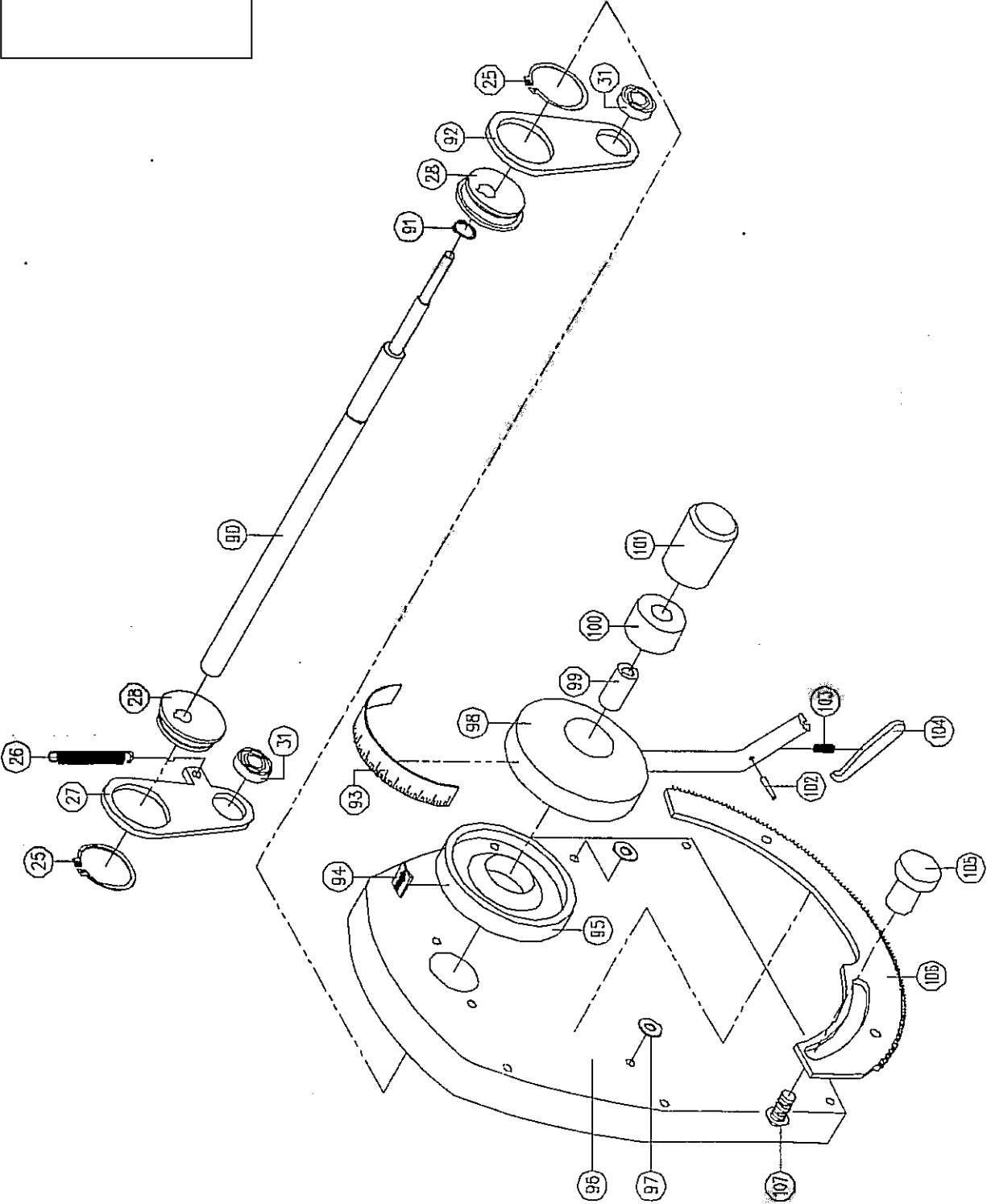


Figure 4  
Floor Model



## BENCH TYPE

| NO. | MAME                            | NO. | MAME                            |
|-----|---------------------------------|-----|---------------------------------|
| 1   | key                             | 2   | Shaft sprocket                  |
| 3   | Deep groove ball bearing 6004ZZ | 4   | Bearing block                   |
| 5   | Shaft sprocket                  | 6   | Cham                            |
| 7   | Chain                           | 8   | Pin bearing FC-20               |
| 9   | Deep groove ball bearing 6003ZZ | 10  | C. Retainer ring S-17           |
| 11  | Stay                            | 12  | Chain                           |
| 13  | Shaft sprocket                  | 14  | Chain                           |
| 15  | Chain                           | 16  | Spacers                         |
| 17  | Washer, flat                    | 18  | Bolt                            |
| 19  | Support bracket                 | 20  | Rear panel                      |
| 21  | Rear casing                     | 22  | Deep groove ball bearing 6205ZZ |
| 23  | C. Retainer ring R-52           | 24  | Chain                           |
| 25  | C. Retainer ring S-70           | 26  | Expansion spring                |
| 27  | Connecting board                | 28  | Lever ring                      |
| 29  | Chain                           | 30  | Chain                           |
| 31  | Deep groove ball bearing 6205ZZ | 32  | Chain                           |
| 33  | Motor                           | 34  | Conveyor belt                   |
| 35  | Bolt, adjustable                | 36  | Left support bracket            |
| 37  | Right support bracket           | 38  | Extension catch pan             |
| NO. | MAME                            | NO. | MAME                            |
| 39  | Shaft, driven                   | 40  | C. Retainer ring S-17           |
| 41  | Deep groove ball bearing 6203ZZ | 42  | Roller                          |
| 43  | Base                            | 44  | Connecting rod                  |
| 45  | Left support bracket            | 46  | Right support bracket           |
| 47  | Base                            | 48  | Bearing block                   |
| 49  | Deep groove ball bearing 6003ZZ | 50  | Thrust ball bearing 51203       |
| 51  | Shaft, roll                     | 52  | Bearing block                   |
| 53  | Axle, supporting                | 54  | Nut                             |
| 55  | Seat, sliding                   | 56  | Deep groove ball bearing 6205ZZ |
| 57  | Up roller                       | 58  | Bolt, adjustable                |
| 59  | Lever, dead                     | 60  | Link mass                       |
| 61  | Torsional spring                | 62  | Bar, fulcrum                    |
| 63  | Strickle sweep                  | 64  | Bar, fulcrum                    |
| 65  | Front casing                    | 66  | Roller head housing             |
| 67  | Stop pin                        | 68  | Safety guard                    |
| 69  | Deep groove ball bearing 6205ZZ | 70  | Down roller                     |
| 71  | Strickle sweep                  | 72  | Bolt, support                   |
| 73  | Bolt, anchor block              | 74  | Set screw                       |
| 75  | Expansion spring                | 76  | Rings                           |
| 77  | Trigger                         | 78  | Microswitch                     |
| 79  | -----                           | 80  | -----                           |
| 83  | Microswitch                     | 84  | Boll                            |
| 85  | Compression spring              | 86  | Ball                            |
| 87  |                                 | 88  | Locating mass                   |
| 89  | Movement eontrol lever          | 90  | Boll, shaft                     |
| 91  | C. Retainer ring S-25           | 92  | Connecting board                |
| 93  | Graduated scale                 | 94  | Finger                          |
| 95  | Handle base                     | 96  | Front panel                     |
| 97  | Washer, (lal                    | 98  | Handle                          |
| 99  | Spacers                         | 100 | Spacers                         |
| 101 | Bolt cover                      | 102 | Pin                             |
| 103 | Compression spring              | 104 | Trigger, locking pin            |
| 105 | Locking mass                    | 106 | Rail rest                       |
| 107 | Bolt, cheese head               | 108 | Nut                             |
| 109 | Deep groove ball bearing 6003ZZ | 110 | Idler wheel                     |
| 111 | Fixed base                      | 112 | Fixed board                     |
| 113 | Locating mass                   | 114 |                                 |



Figure 5  
Countertop Model

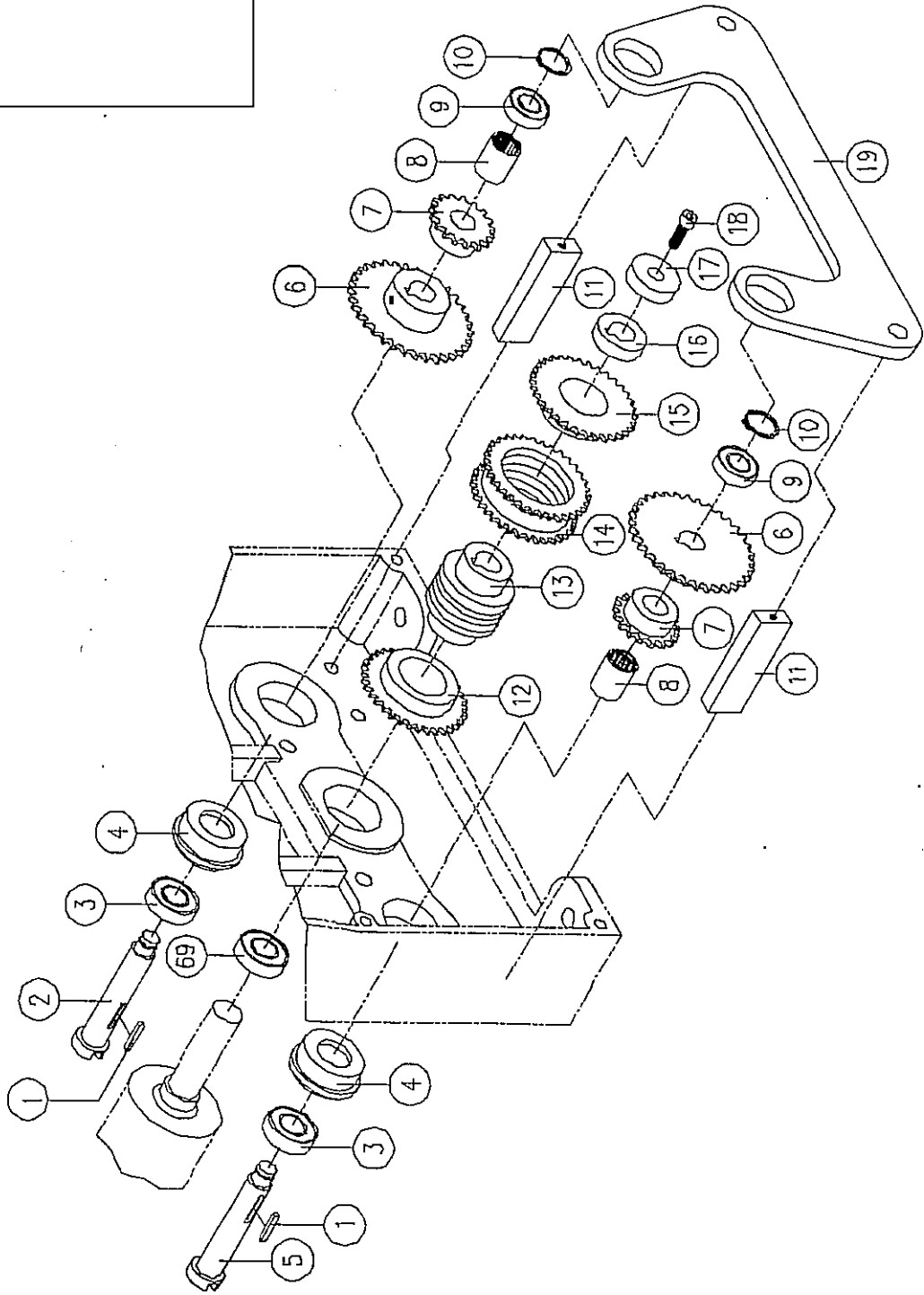


Figure 6  
Countertop Model

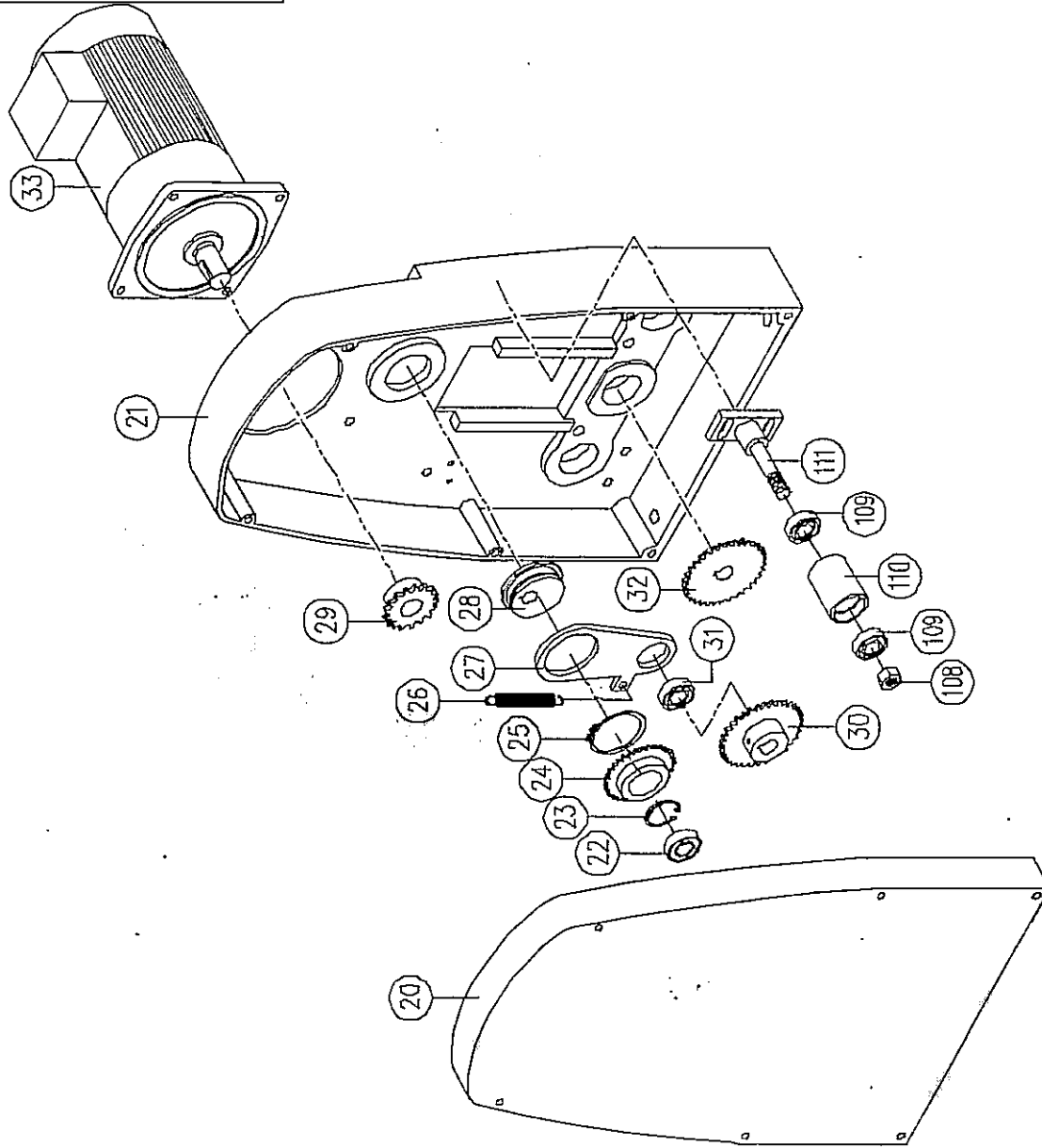


Figure 7  
Countertop Model

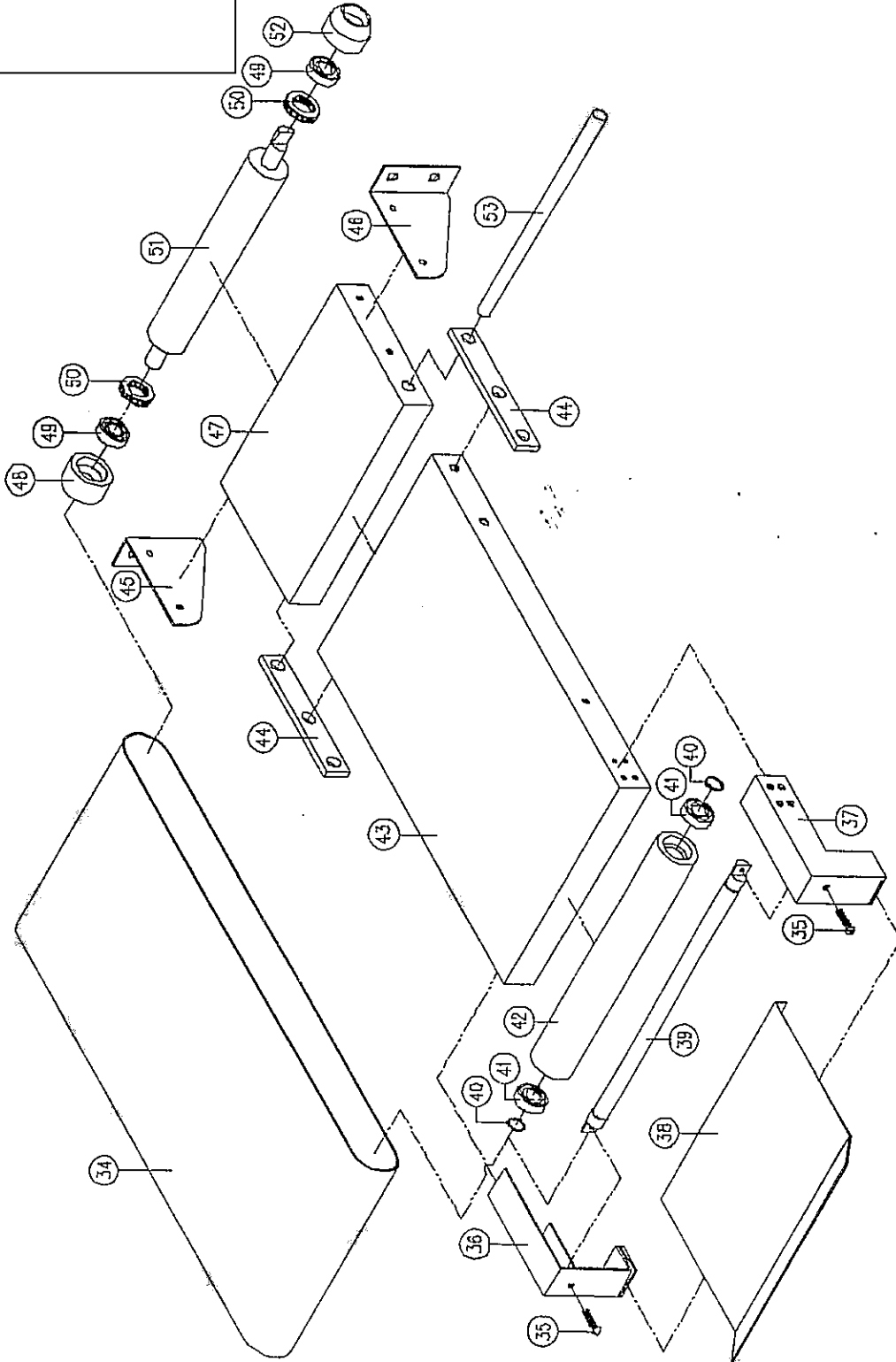


Figure 8  
Countertop Model

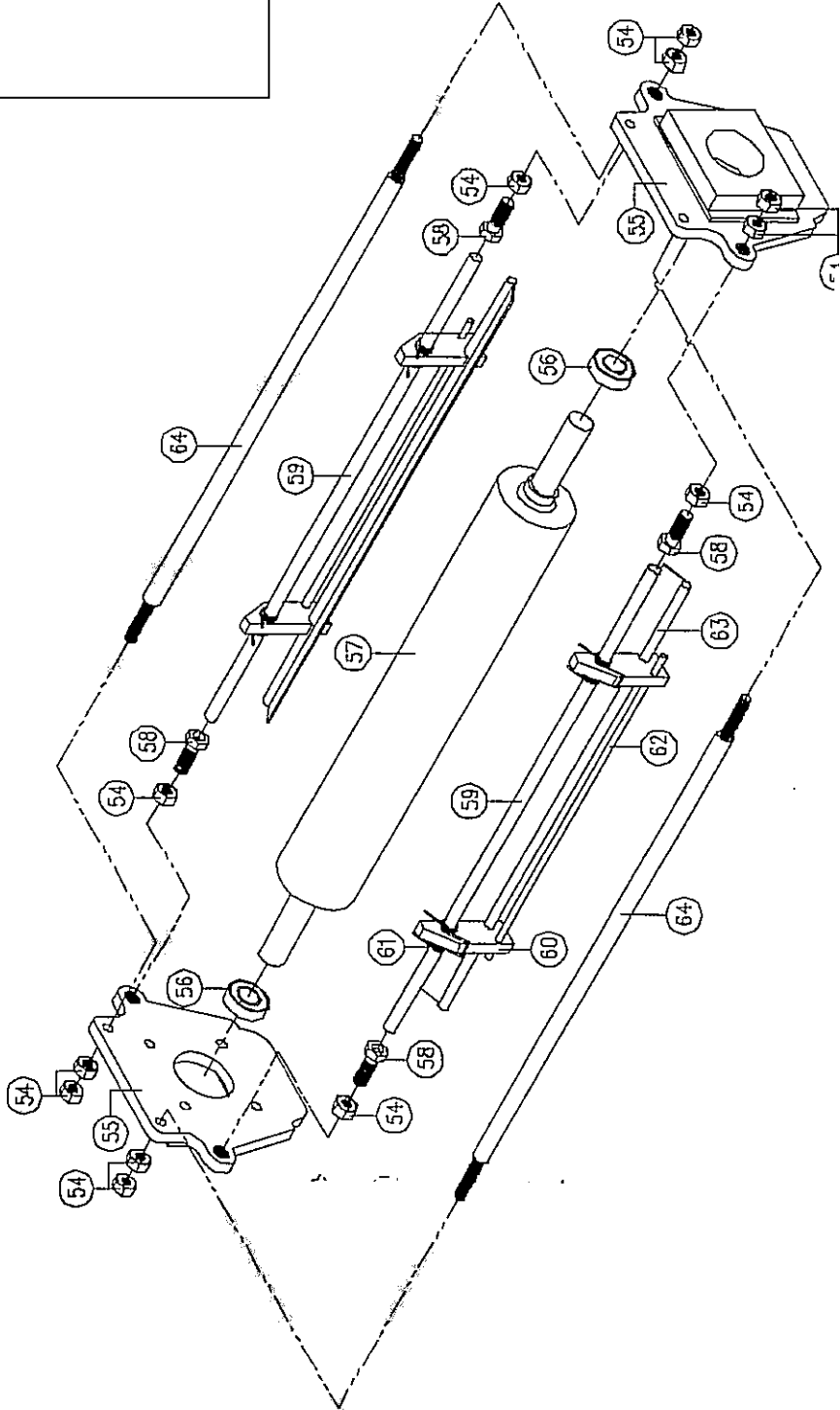


Figure 9  
Countertop Model

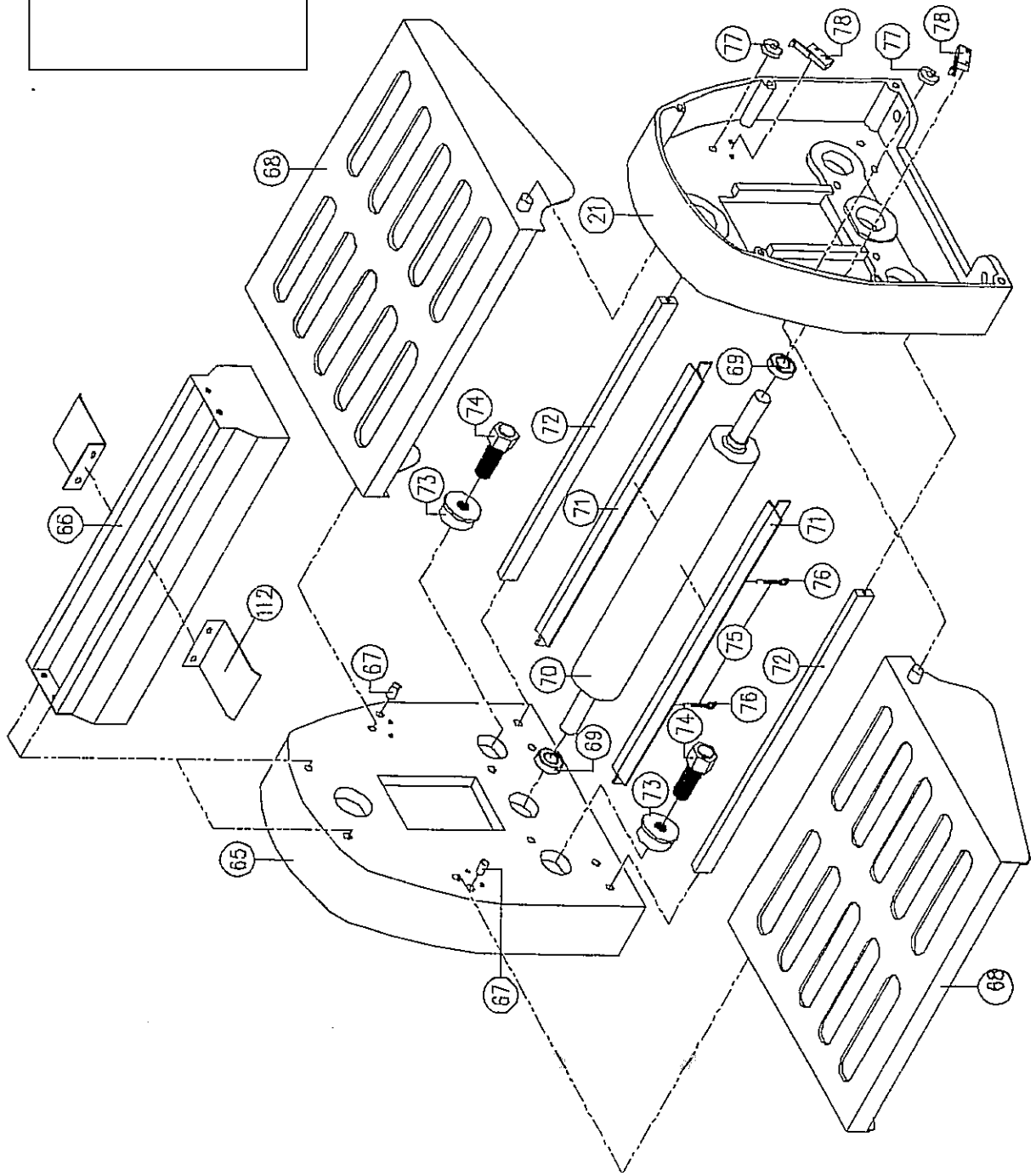


Figure 10  
Countertop Model

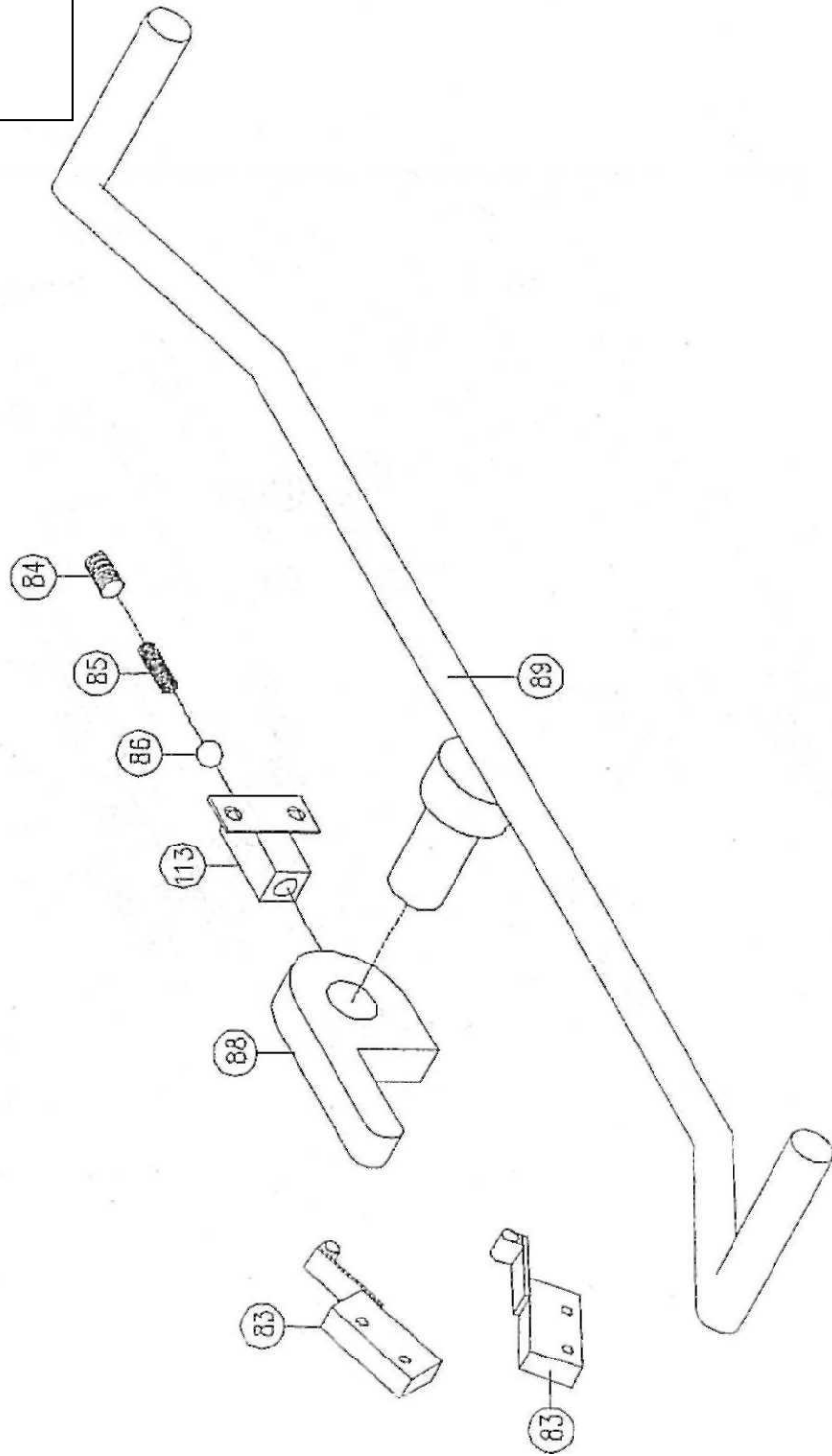
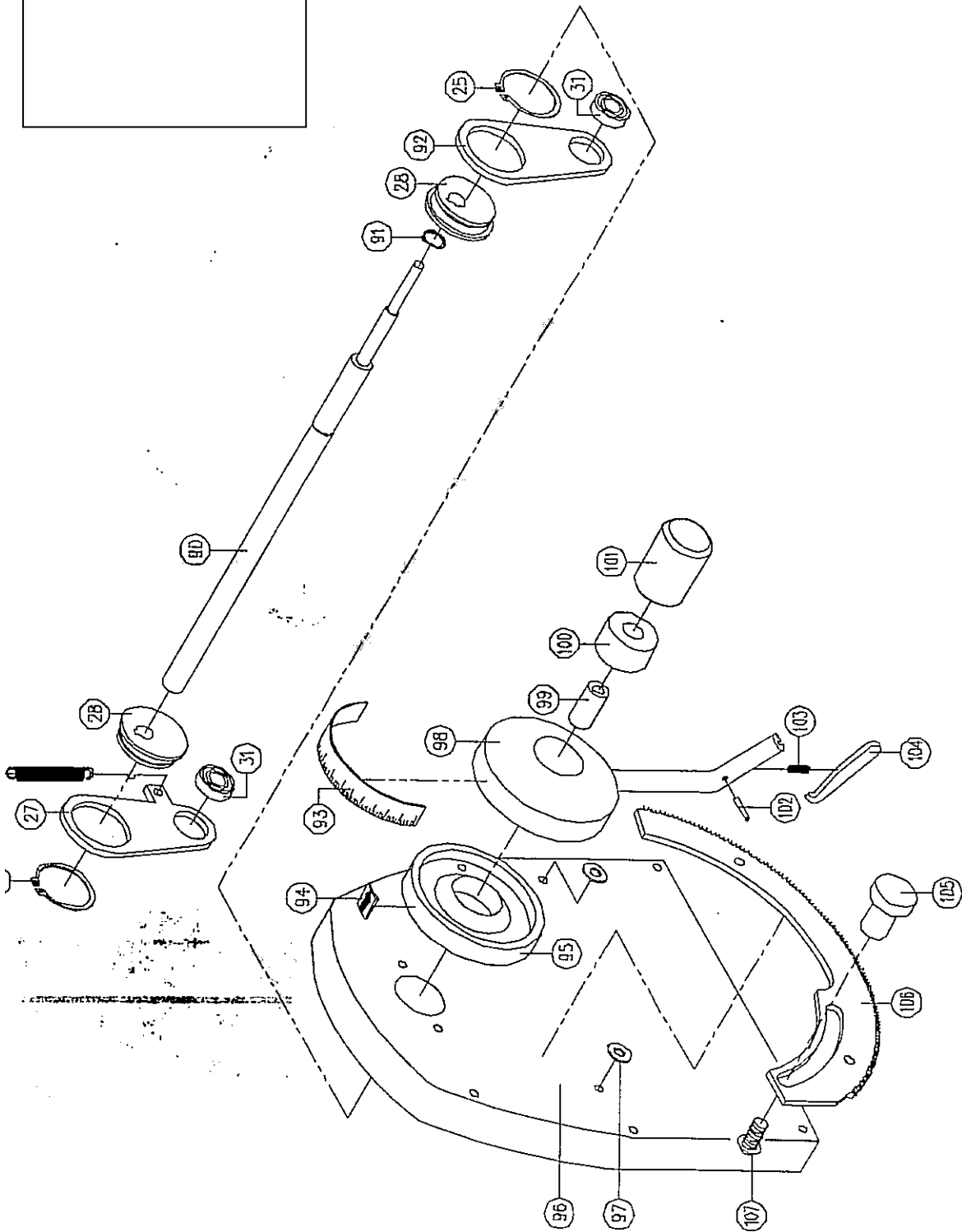
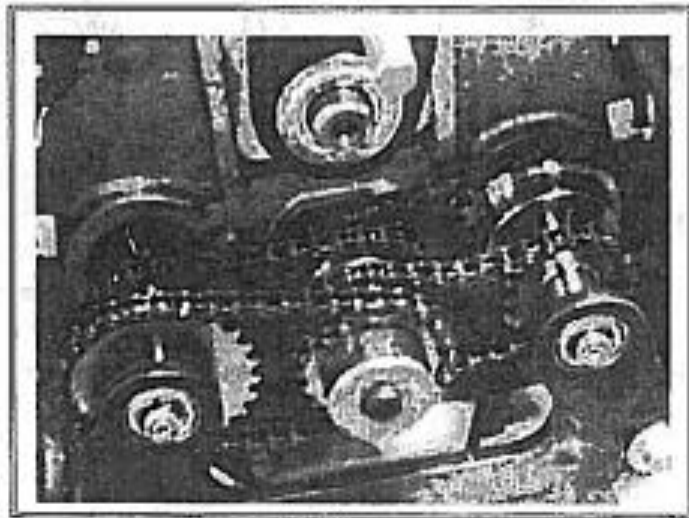
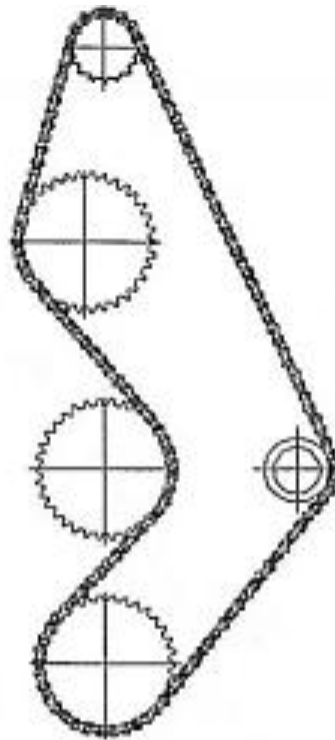


Figure 11  
Countertop Model



6-2.CHAIN ALLOCATION PLAN  
BENCH TYPE

Front TOP: Rear Chain Allocation  
BOTTOM: Front Chain Allocation





# Warranty



- One year Parts and Labor limited warranty.
- Warranty begins at date of installation, delays of installation and extended warranty must be approved.
- All equipment must be properly installed and connected by qualified professionals if not a standard Plug 'N Go\* operation.
- All equipment must be used within tolerance limits of machine.
- Any abuse of equipment or improper use of machine will void the warranty.
- Accessories or attachments have 90 day warranty to be repaired or replaced.
- Repairs include Parts and Labor only, excluded are the following:
  - Electrical components such as fuses, bulbs, elements switches are not covered by this warranty.
  - Overtime labor rates.
  - Expedited freight for parts.
  - Travel charges.
- All defective parts must be returned to BakeMax® for credit.
- BakeMax® is not responsible for production downtime or product losses.
- Repairs must be pre-authorized by BakeMax® prior to work commencing.
- Emergency service 24/7 at 1-800-565-2253

## SPECIAL TERMS & CONDITIONS

- BakeMax® reserves the right to make improvements or equipment specification changes without prior notice.
- Set up and installation is client's responsibility.
- Failure to follow all instructions in equipment manual, properly install, maintain equipment, follow capacity charts, or electrical information may void warranty.

BakeMax®  
PO Box 23083, Moncton NB, E1A 6S8  
Toll Free: 1-800-565-BAKE  
Telephone: 1-506-858-8990  
Fax: 1-506-859-6929

\*Plug 'N Go operation requires machine be properly connected to proper wall outlet.

Think Quality, Value, Service.....Think

**BakeMax**

Printed in Canada

Toll Free: 1-800-565-BAKE Web Site: [www.bakemax.com](http://www.bakemax.com) E-mail: [sales@bakemax.com](mailto:sales@bakemax.com)