

# BON CHEF FLEX TABLES



## BASIC TABLES

50181	SMALL 3-SHELF TABLE	30" x 30" x 34"
50182	MEDIUM 3-SHELF TABLE	30" x 48" x 34"
50183	LARGE 3-SHELF TABLE	30" x 72" x 34"
50184	HALF ROUND 3-SHELF TABLE	42" x 84" x 34"
50185	SMALL 3-SHELF TABLE ADD-ON FOR HALF ROUND	24" x 30" x 34"
50186	MEDIUM 3-SHELF TABLE ADD-ON FOR HALF ROUND	24" x 48" x 34"
50187	LARGE 3-SHELF TABLE ADD-ON FOR HALF ROUND	24" x 72" x 34"
50188	SMALL 4-SHELF TABLE	30" x 30" x 46"
50189	MEDIUM 4-SHELF TABLE	30" x 48" x 46"
50190	LARGE 4-SHELF TABLE	30" x 72" x 46"
50191	HALF ROUND 4-SHELF TABLE	42" x 84" x 46"
50192	SMALL 4-SHELF TABLE ADD-ON FOR HALF ROUND	24" x 30" x 46"
50193	MEDIUM 4-SHELF TABLE ADD-ON FOR HALF ROUND	24" x 48" x 46"
50194	LARGE 4-SHELF TABLE ADD-ON FOR HALF ROUND	24" x 72" x 46"
50195	SMALL CORNER SHELF TABLE	30" x 30" x 46"
50196	MEDIUM CORNER SHELF TABLE	30" x 48" x 46"
50197	LARGE CORNER SHELF TABLE	30" x 72" x 46"
50198	SMALL CORNER SHELF TABLE ADD-ON FOR HALF ROUND	24" x 30" x 46"
50199	MEDIUM CORNER SHELF TABLE ADD-ON FOR HALF ROUND	24" x 48" x 46"
50201	LARGE CORNER SHELF TABLE ADD-ON FOR HALF ROUND	24" x 72" x 46"

Stock available in Laminate Veneer  
(add LVWalnut or LVCherry  
to item number)

Stock available in Wood Veneer  
(add WWWalnut or WWMahogany  
to item number).

LVWalnut



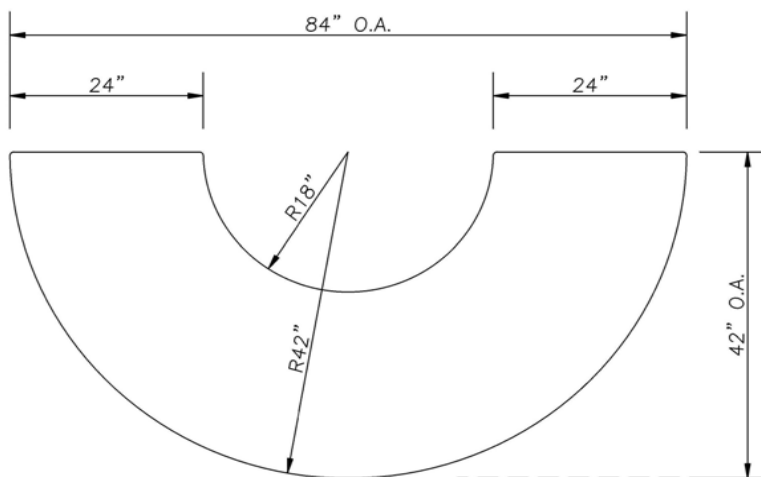
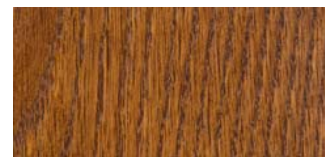
LVCherry



WWMahogany



WWWalnut



\*Skirting available in Black or White, please indicate color. All Skirting requires 2 clips per size. Skirting clip color will match color of skirting.

Bon CHEF



*NEW* FLEX TABLES



# BON CHEF FLEX TABLES

**NEW**

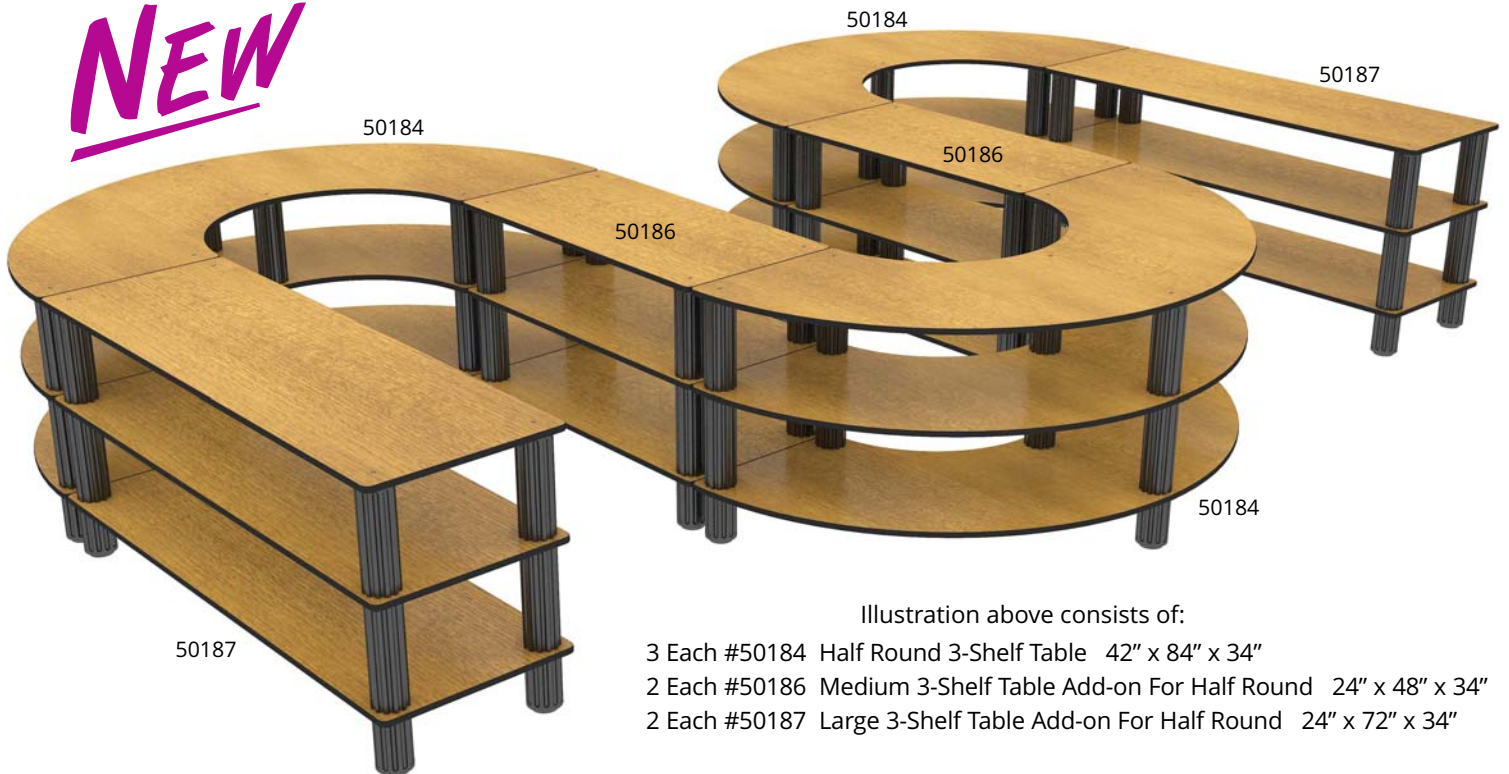


Illustration above consists of:

- 3 Each #50184 Half Round 3-Shelf Table 42" x 84" x 34"
- 2 Each #50186 Medium 3-Shelf Table Add-on For Half Round 24" x 48" x 34"
- 2 Each #50187 Large 3-Shelf Table Add-on For Half Round 24" x 72" x 34"

Bon Chef proudly introduces its new series of Flex tables. Flex tables can be joined to make numerous buffet configurations as pictured or any other creative design desired. They can be easily disassembled, stored and moved to different off premise locations. The beauty of our Flex Tables is the construction. Built with space age lightweight green materials yet much stronger than conventional materials. That means assembly and moving the tables is very easy and much safer. No back breaking lifting of heavy parts to assemble. Unlike most bamboo tables, our Flex Tables are formaldehyde free. Bon Chef offers four standard in stock colors (see below) or any custom look, shape, size you desire. Flex table legs are made of extruded lightweight aluminum and finished in Bon Chef's Nero, Bianco, or Brushed Aluminum finish. Finish your Flex tables with our optional fire and stain resistant skirted material. All table edges are protected and reinforced with bullet proof protective edge. All Flex table tops are finished on both sides and are reversible in the event of accidental damage to one side. Bon Chef Flex Tables are proudly made in the USA.

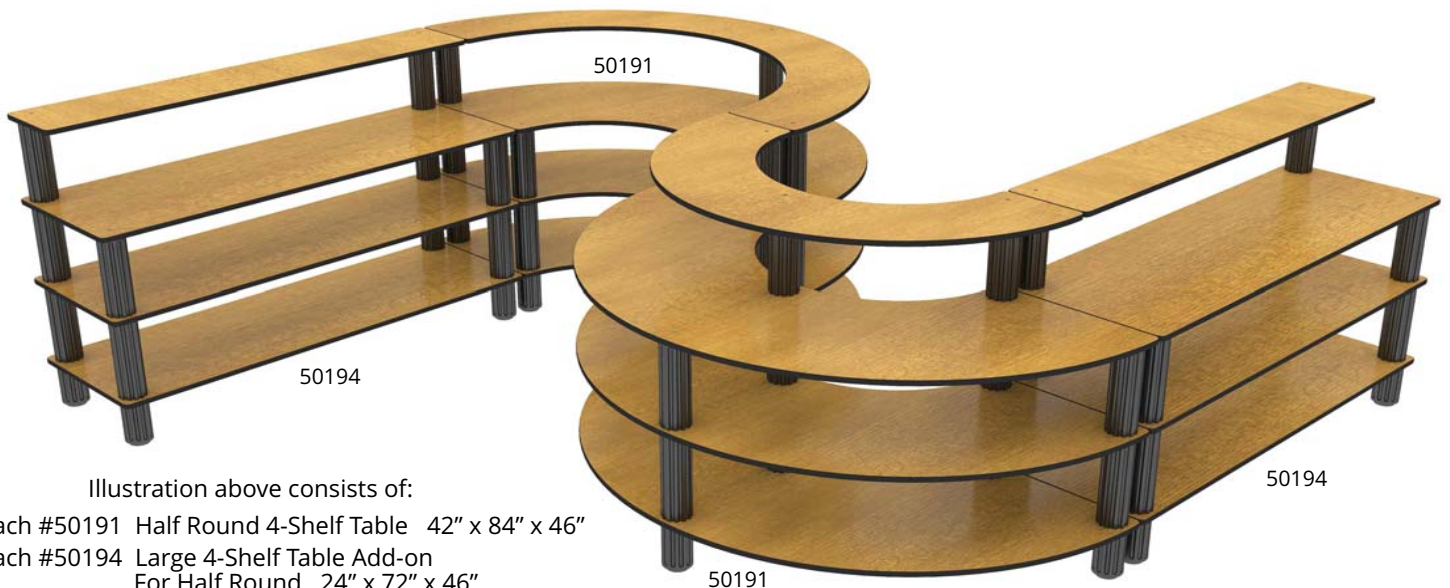
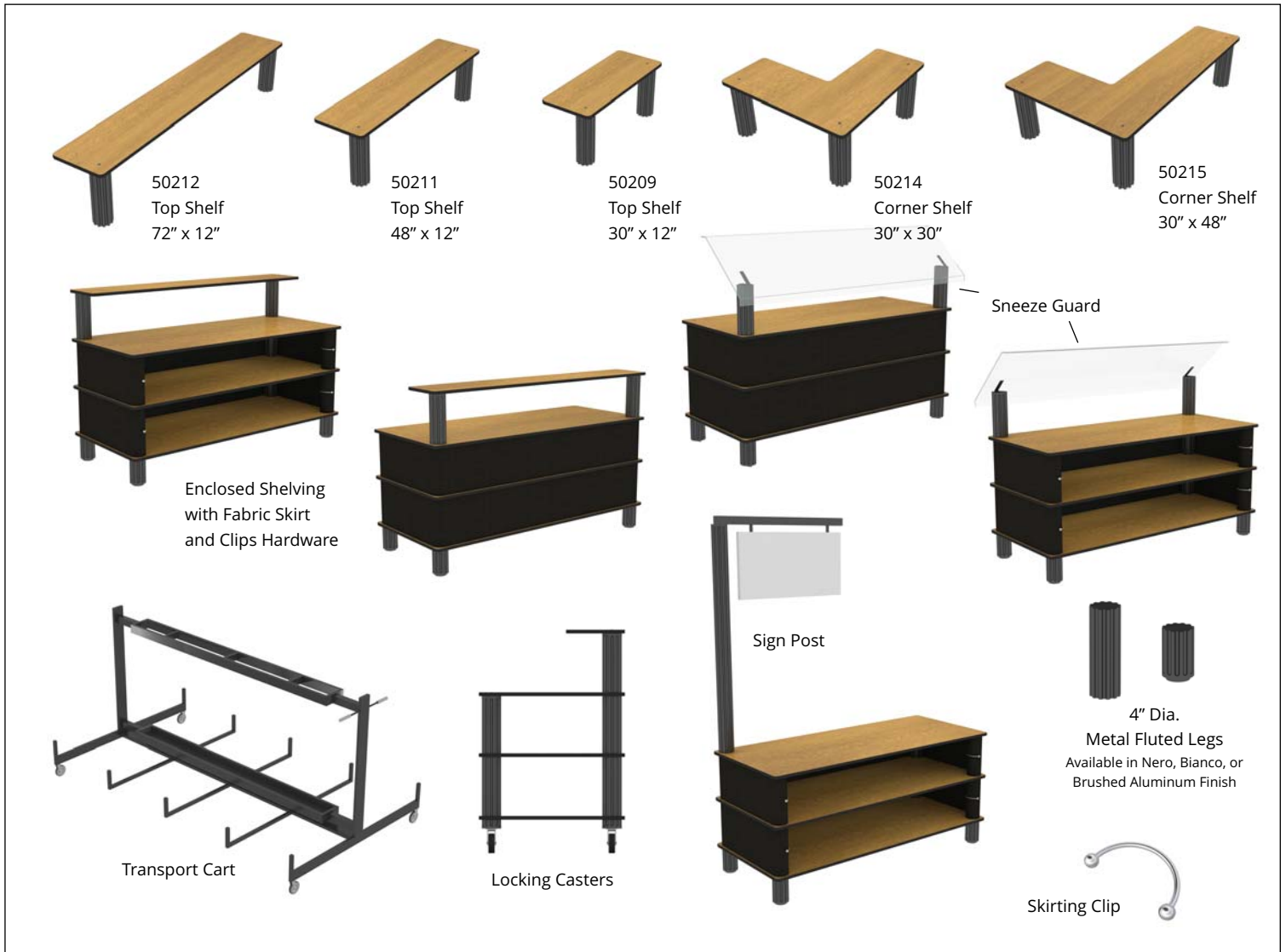


Illustration above consists of:

- 2 Each #50191 Half Round 4-Shelf Table 42" x 84" x 46"
- 2 Each #50194 Large 4-Shelf Table Add-on For Half Round 24" x 72" x 46"

Stock available in Laminate Veneer (add LWalnut or LVCherry to item number). Stock available in Wood Veneer (add WWalnut or WWMahogany to item number).

# BON CHEF FLEX TABLE ACCESSORIES



## ACCESSORIES

50209	30" STRAIGHT SHELF WITH 2 LEGS	12" x 30" x 12.25"
50211	48" STRAIGHT SHELF WITH 2 LEGS	12" x 48" x 12.25"
50212	72" STRAIGHT SHELF WITH 2 LEGS	12" x 72" x 12.25"
50213	HALF ROUND SHELF WITH 3 LEGS	42" x 84" x 3/4" - 12" shelf
50214	30" CORNER SHELF WITH 3 LEGS	30" x 30" x 3/4" - 12" shelf
50215	48" CORNER SHELF WITH 3 LEGS	30" x 48" x 3/4" - 12" shelf
50216	72" CORNER SHELF WITH 3 LEGS	30" x 72" x 3/4" - 12" shelf
50217	5" LOCKING CASTER	5" x 6"
50218	TALL LEG	12.75" x 4"
50219	SHORT LEG	6" x 4"
50222	30" X 30" SKIRTING - PER TIER	12.625" X 96"
50223	30" X 48" SKIRTING - PER TIER	12.625" X 114"

50224	30" X 72" SKIRTING - PER TIER	12.625" x 138"
50225	HALF ROUND SKIRTING - PER TIER	12.625" x 130"
50226	24" X 30" SKIRTING - PER TIER	12.625" x 84"
50227	24" X 48" SKIRTING - PER TIER	12.625" x 102"
50228	24" X 72" SKIRTING - PER TIER	12.625" x 126"
50229	SKIRTING CLIP	4"
50231	30" SNEEZE GUARD	30" X 16"
50232	48" SNEEZE GUARD	48" X 16"
50233	72" SNEEZE GUARD	72" X 16"
50234	SIGN POST	60"
50235	TRANSPORT CART	34" X 80" X 40"

\*Skirting available in Black or White, please indicate color. All Skirting requires 2 clips per size. Skirting clip color will match color of skirting.



800-331-0177 • 205 Route 94 • Lafayette, NJ 07848 • [www.bonchef.com](http://www.bonchef.com)

# BON CHEF FLEX TABLES

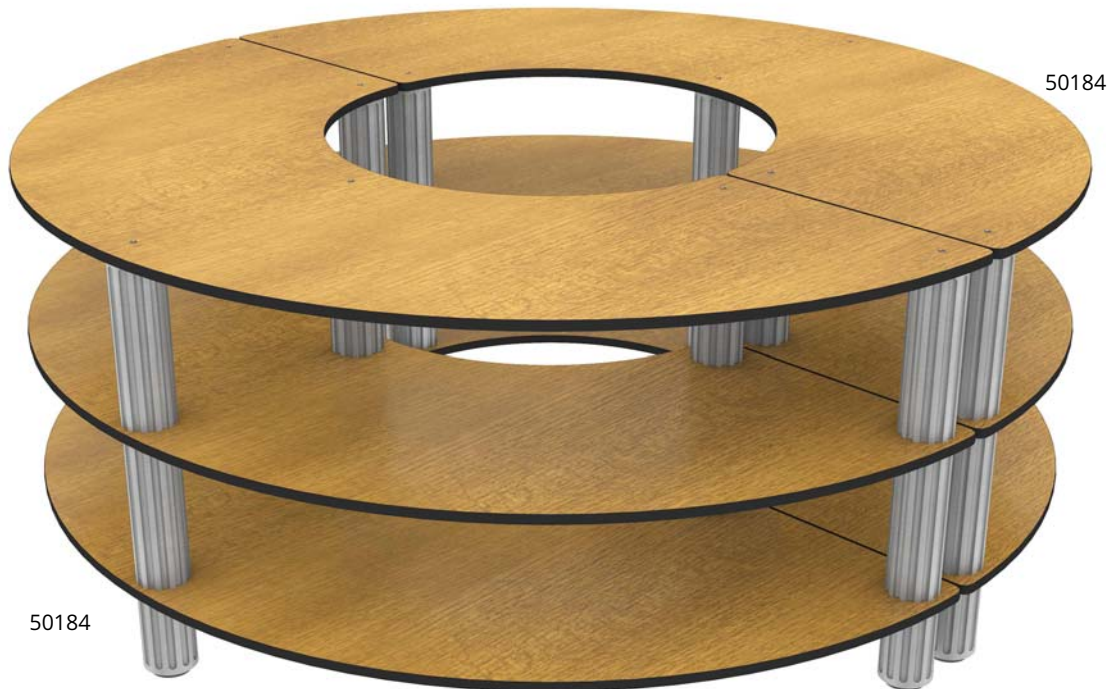


Illustration above consists of:  
2 Each #50184 Half Round 3-Shelf Table 42" x 84" x 34"

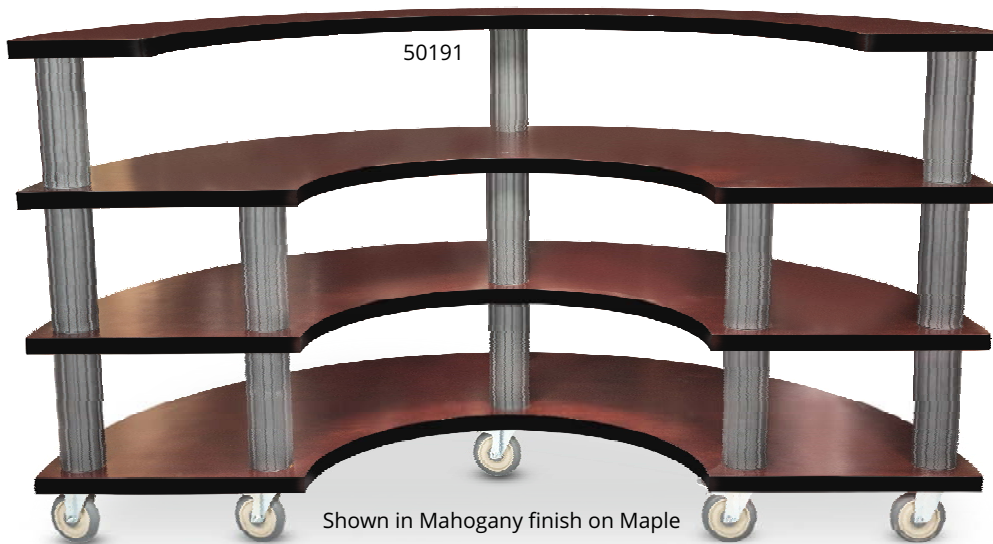


Illustration above consists of:  
1 Each #50191 Half Round 4-Shelf Table 42" x 84" x 46"

Bon Chef proudly introduces its new series of Flex tables. Flex tables can be joined to make numerous buffet configurations as pictured or any other creative design desired. They can be easily disassembled, stored and moved to different off premise locations. The beauty of our Flex Tables is the construction. Built with space age lightweight green materials yet much stronger than conventional materials. That means assembly and moving the tables is very easy and much safer. No back breaking lifting of heavy parts to assemble. Unlike most bamboo tables, our Flex Tables are formaldehyde free. Bon Chef offers four standard in stock colors (see below) or any custom look, shape, size you desire. Flex table legs are made of extruded lightweight aluminum and finished in Bon Chef's Nero, Bianco, or Brushed Aluminum finish. Finish your Flex tables with our optional fire and stain resistant skirted material. All table edges are protected and reinforced with bullet proof protective edge. All Flex table tops are finished on both sides and are reversible in the event of accidental damage to one side. Bon Chef Flex Tables are proudly made in the USA.

Stock available in Laminate Veneer (add LWalnut or LVCherry to item number). Stock available in Wood Veneer (add WWWalnut or WWMahogany to item number).

# BON CHEF FLEX TABLES

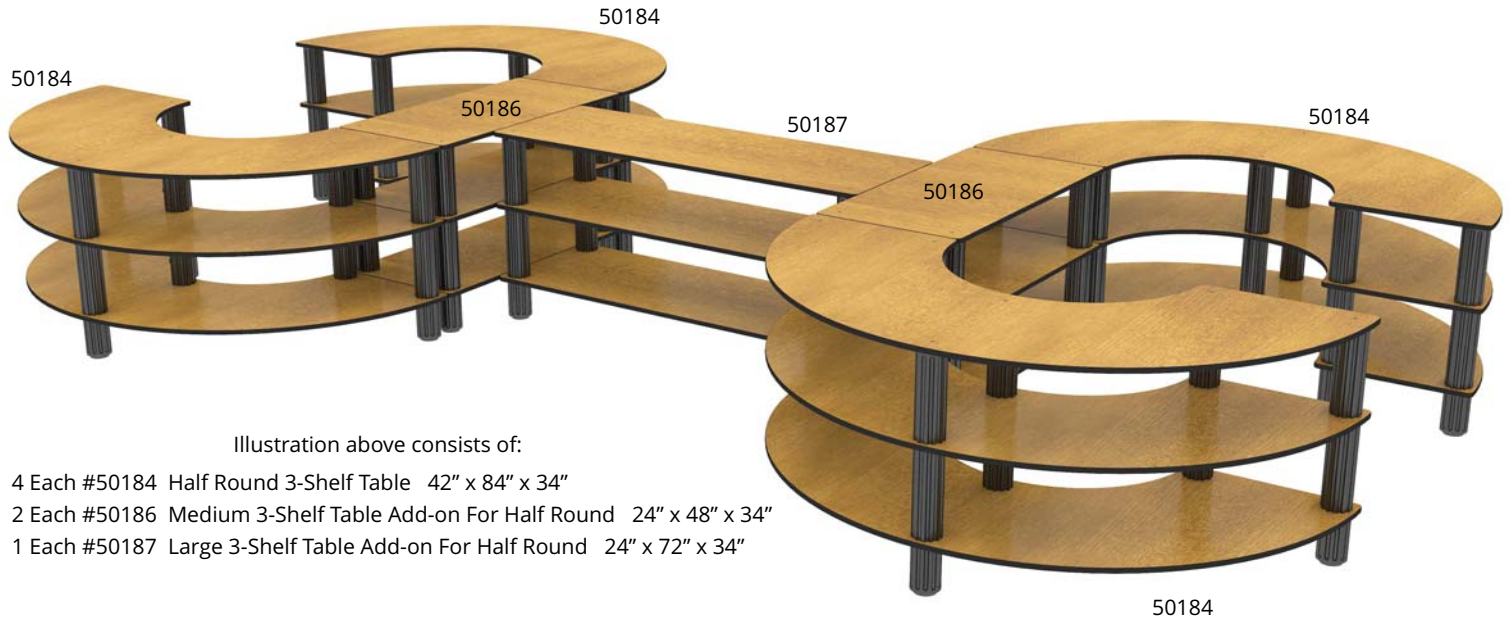


Illustration above consists of:

- 4 Each #50184 Half Round 3-Shelf Table 42" x 84" x 34"
- 2 Each #50186 Medium 3-Shelf Table Add-on For Half Round 24" x 48" x 34"
- 1 Each #50187 Large 3-Shelf Table Add-on For Half Round 24" x 72" x 34"



Illustration above consists of:

- 2 Each #50184 Half Round 3-Shelf Table 42" x 84" x 34"
- 1 Each #50185 Small 3-Shelf Table Add-on For Half Round 24" x 30" x 34"
- 3 Each #50187 Large 3-Shelf Table Add-on For Half Round 24" x 72" x 34"

Bon Chef proudly introduces its new series of Flex tables. Flex tables can be joined to make numerous buffet configurations as pictured or any other creative design desired. They can be easily disassembled, stored and moved to different off premise locations. The beauty of our Flex Tables is the construction. Built with space age lightweight green materials yet much stronger than conventional materials. That means assembly and moving the tables is very easy and much safer. No back breaking lifting of heavy parts to assemble. Unlike most bamboo tables, our Flex Tables are formaldehyde free. Bon Chef offers four standard in stock colors (see below) or any custom look, shape, size you desire. Flex table legs are made of extruded lightweight aluminum and finished in Bon Chef's Nero, Bianco, or Brushed Aluminum finish. Finish your Flex tables with our optional fire and stain resistant skirted material. All table edges are protected and reinforced with bullet proof protective edge. All Flex table tops are finished on both sides and are reversible in the event of accidental damage to one side. Bon Chef Flex Tables are proudly made in the USA.

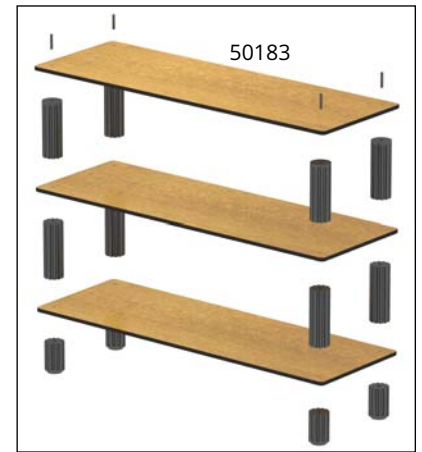
Stock available in Laminate Veneer (add LWalnut or LVCherry to item number). Stock available in Wood Veneer (add WWalnut or WWMahogany to item number).

# BON CHEF FLEX TABLES



Illustration above consists of:

- 1 Each #50181 Small 3-Shelf Table 30" x 30" x 34"
- 7 Each #50183 Large 3-Shelf Table 30" x 72" x 34"



Exploded View #50183  
Large 3-Shelf Table 30" x 72" x 34"



Illustration above consists of:

- 3 Each #50181 Small 3-Shelf Table 30" x 30" x 34"
- 3 Each #50182 Medium 3-Shelf Table 30" x 48" x 34"
- 4 Each #50183 Large 3-Shelf Table 30" x 72" x 34"

Bon Chef proudly introduces its new series of Flex tables. Flex tables can be joined to make numerous buffet configurations as pictured or any other creative design desired. They can be easily disassembled, stored and moved to different off premise locations. The beauty of our Flex Tables is the construction. Built with space age lightweight green materials yet much stronger than conventional materials. That means assembly and moving the tables is very easy and much safer. No back breaking lifting of heavy parts to assemble. Unlike most bamboo tables, our Flex Tables are formaldehyde free. Bon Chef offers four standard in stock colors (see below) or any custom look, shape, size you desire. Flex table legs are made of extruded lightweight aluminum and finished in Bon Chef's Nero, Bianco, or Brushed Aluminum finish. Finish your Flex tables with our optional fire and stain resistant skirted material. All table edges are protected and reinforced with bullet proof protective edge. All Flex table tops are finished on both sides and are reversible in the event of accidental damage to one side. Bon Chef Flex Tables are proudly made in the USA.

Stock available in Laminate Veneer (add LVWalnut or LVCherry to item number). Stock available in Wood Veneer (add WWWalnut or WWMahogany to item number).

# BON CHEF FLEX TABLES

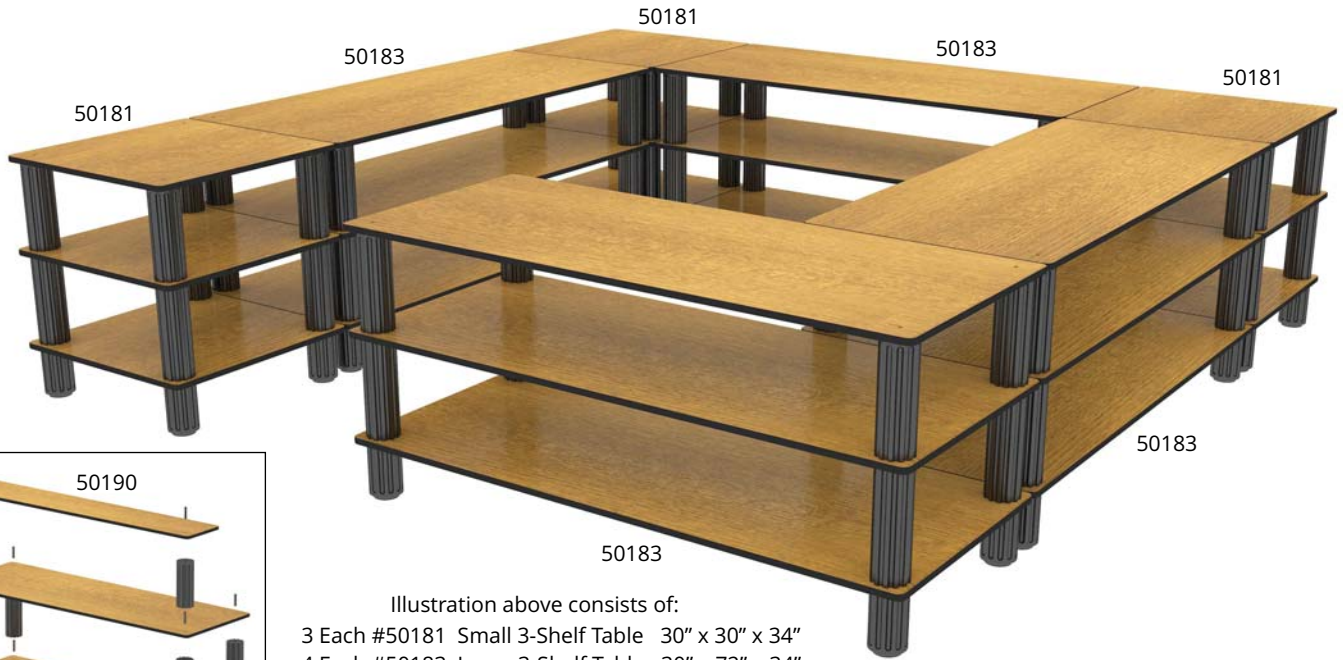
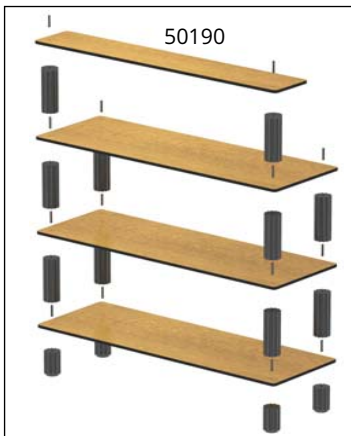


Illustration above consists of:

- 3 Each #50181 Small 3-Shelf Table 30" x 30" x 34"
- 4 Each #50183 Large 3-Shelf Table 30" x 72" x 34"



Exploded View #50190

Large 4-Shelf Table 30" x 72" x 46"

Bon Chef proudly introduces its new series of Flex tables. Flex tables can be joined to make numerous buffet configurations as pictured or any other creative design desired. They can be easily disassembled, stored and moved to different off premise locations. The beauty of our Flex Tables is the construction. Built with space age lightweight green materials yet much stronger than conventional materials. That means assembly and moving the tables is very easy and much safer. No back breaking lifting of heavy parts to assemble. Unlike most bamboo tables, our Flex Tables are formaldehyde free. Bon Chef offers four standard in stock colors (see below) or any custom look, shape, size you desire. Flex table legs are made of extruded lightweight aluminum and finished in Bon Chef's Nero, Bianco, or Brushed Aluminum finish. Finish your Flex tables with our optional fire and stain resistant skirted material. All table edges are protected and reinforced with bullet proof protective edge. All Flex table tops are finished on both sides and are reversible in the event of accidental damage to one side. Bon Chef Flex Tables are proudly made in the USA.



Illustration above consists of:

- 1 Each #50188 Small 4-Shelf Table 30" x 30" x 46"
- 3 Each #50190 Large 4-Shelf Table 30" x 72" x 46"
- 2 Each #50195 Small Corner Shelf Table 30" x 30" x 46"
- 1 Each #50197 Large Corner Shelf Table 30" x 72" x 46"

Stock available in Laminate Veneer (add LWalnut or LVCherry to item number). Stock available in Wood Veneer (add WWalnut or WWMahogany to item number).



800-331-0177 • 205 Route 94 • Lafayette, NJ 07848 • [www.bonchef.com](http://www.bonchef.com)