

## COMBI OVEN-STEAMER Options & Accessories

Project \_\_\_\_\_  
 Item \_\_\_\_\_  
 Quantity \_\_\_\_\_  
 FCSI Section \_\_\_\_\_  
 Approval \_\_\_\_\_  
 Date \_\_\_\_\_

### Stands, Convotherm 4 models, 6.10's & 10.10's

- All equipment stands are made of high-quality stainless steel and ensure maximum hygiene standards.

#### Models



Open equipment stand for table-top models with storage shelf and adjustable legs.

Model #	Description
CST10OB-4	for models 6.10 & 10.10 (P/N 3251500)



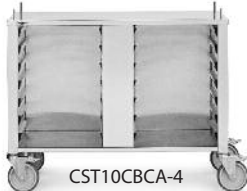
Open equipment stand for table-top models with storage shelf and casters.

Model #	Description
CST10OB-4	for models 6.10 & 10.10 (P/N 3251502)



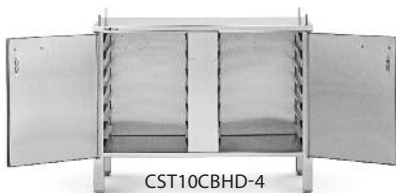
Equipment stand for table-top models, closed on three sides, 14 pairs of shelf rails and adjustable legs.

Model #	Description
CST10CB-4	for models 6.10 & 10.10 (P/N 3251547)



Equipment stand for table-top models, closed on three sides, 14 pairs of shelf rails and casters.

Model #	Description
CST10CB-4	for models 6.10 & 10.10 (P/N 3251549)



Equipment stand for table-top models, fully enclosed with double doors, 14 pairs of shelf rails and adjustable legs.

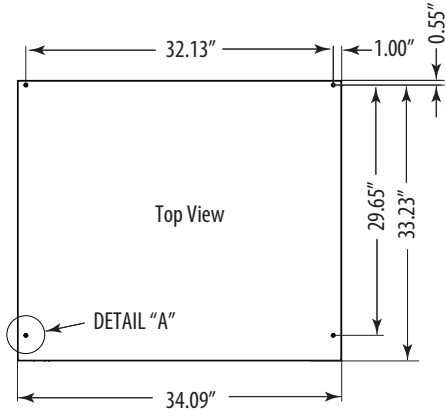
Model #	Description
CST10CBHD-4	for models 6.10 & 10.10 (P/N 3251552)



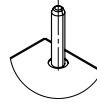
Equipment stand for table-top models, fully enclosed with double doors, 14 pairs of shelf rails and casters.

Model #	Description
CST10CBHD-4	for models 6.10 & 10.10 (P/N 3251554)

For all stands

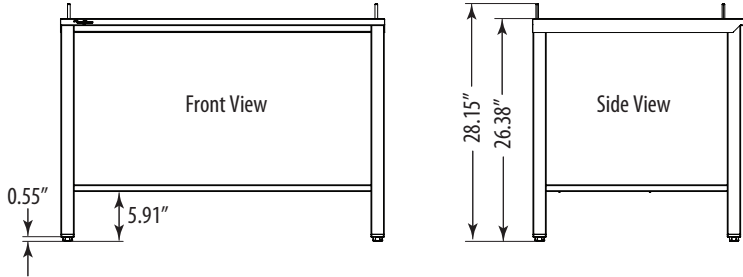


DETAIL "A"

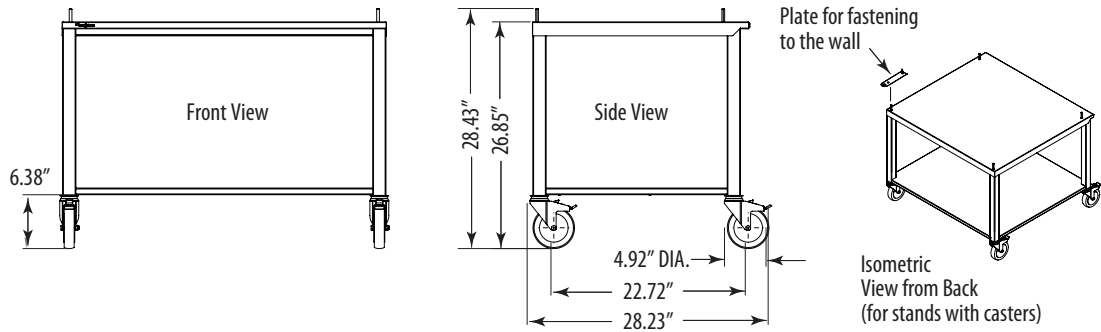


Four (4) screw-in pins for locating and mounting the Convotherm 4 on to the stand. (shipped loose)

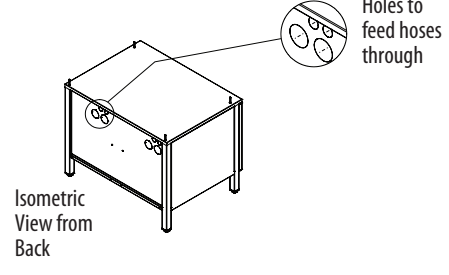
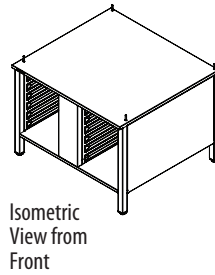
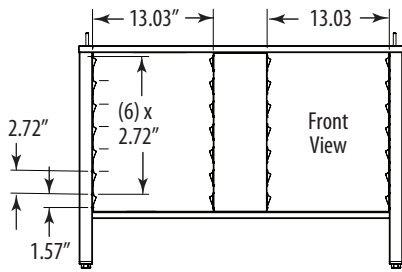
For all stands without casters



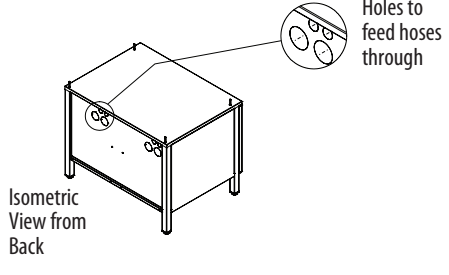
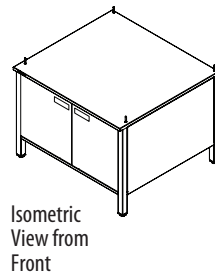
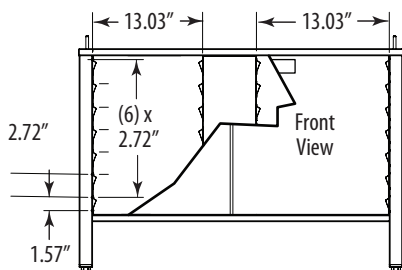
For all stands with casters



For all stands with shelf rails



For all stands with doors



**NOTES:**

Convotherm reserves right of design improvement or modification, as warranted.  
 Many regional, state and local codes exist and it is the responsibility of the owner and installer to comply with the codes.  
 Convotherm equipment is built to comply with applicable standards for manufacturers.

## COMBI OVEN-STEAMER Options & Accessories

Project \_\_\_\_\_  
 Item \_\_\_\_\_  
 Quantity \_\_\_\_\_  
 FCSI Section \_\_\_\_\_  
 Approval \_\_\_\_\_  
 Date \_\_\_\_\_

### Stands, Convotherm 4 models, 6.20's & 10.20's

- All equipment stands are made of high-quality stainless steel and ensure maximum hygiene standards.

#### Models



Open equipment stand for table-top models with storage shelf and adjustable legs.

Model #	Description
CST20OB-4	for models 6.20 & 10.20 (P/N 3251501)



Open equipment stand for table-top models with storage shelf and casters.

Model #	Description
CST20BCA-4	for models 6.20 & 10.20 (P/N 3251503)



Equipment stand for table-top models, closed on three sides, 14 pairs of shelf rails and adjustable legs.

Model #	Description
CST20CB-4	for models 6.20 & 10.20 (P/N 3251548)



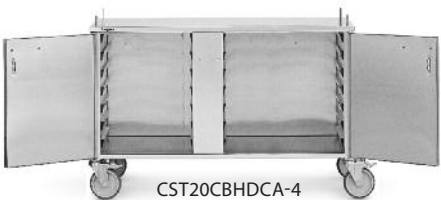
Equipment stand for table-top models, closed on three sides, 14 pairs of shelf rails and casters.

Model #	Description
CST20BCA-4	for models 6.20 & 10.20 (P/N 3251551)



Equipment stand for table-top models, fully enclosed with double doors, 14 pairs of shelf rails and adjustable legs.

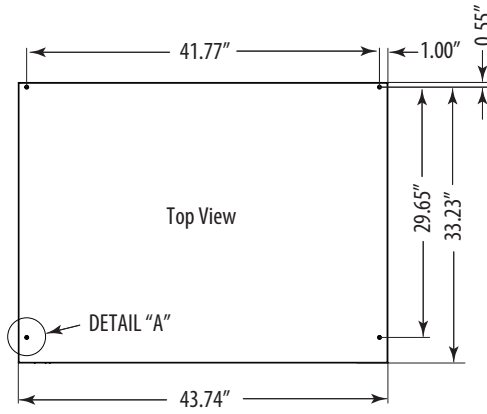
Model #	Description
CST20CBHD-4	for models 6.20 & 10.20 (P/N 3251553)



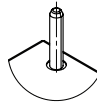
Equipment stand for table-top models, fully enclosed with double doors, 14 pairs of shelf rails and casters.

Model #	Description
CST20CBHDCA-4	for models 6.20 & 10.20 (P/N 3251555)

For all stands

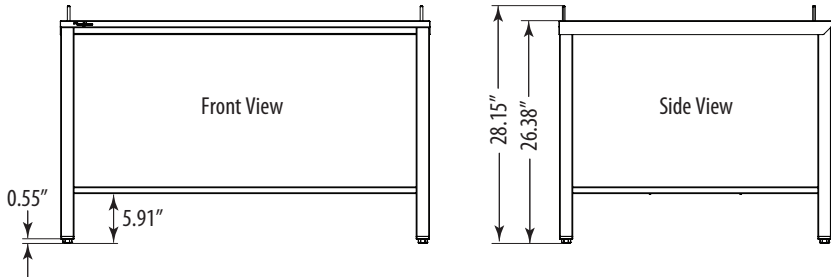


DETAIL "A"

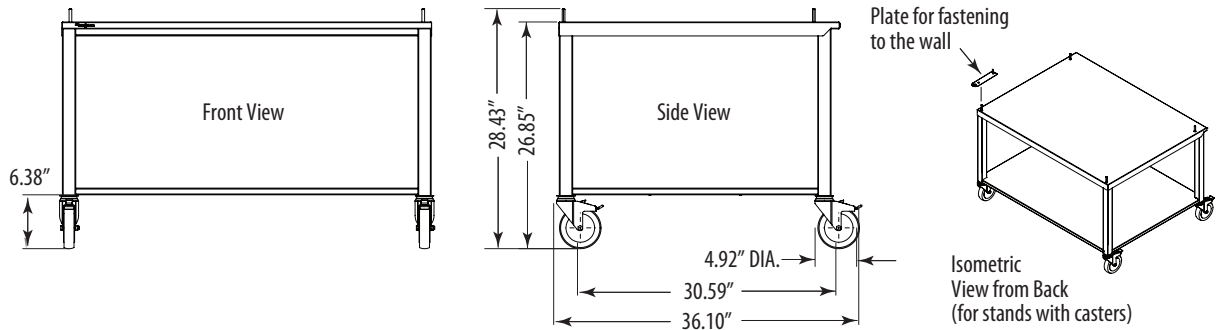


Four (4) screw-in pins for locating and mounting the Convotherm 4 on to the stand. (shipped loose)

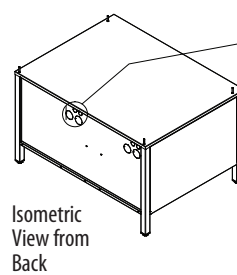
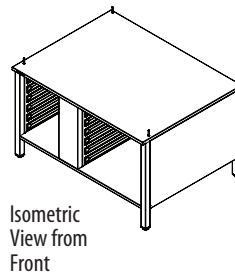
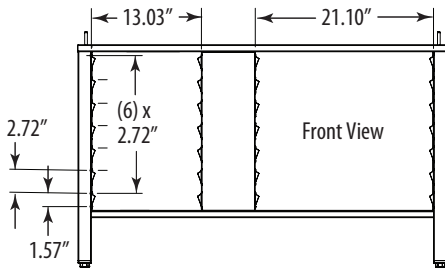
For all stands without casters



For all stands with casters

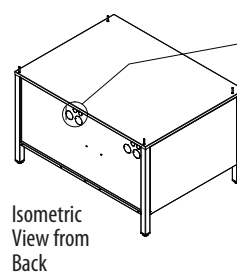
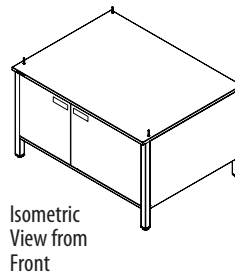
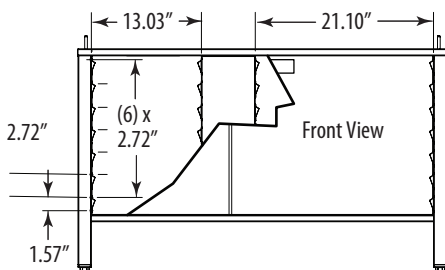


For all stands with shelf rails



Holes to feed hoses through

For all stands with doors



Holes to feed hoses through

**NOTES:**

Convotherm reserves right of design improvement or modification, as warranted.  
 Many regional, state and local codes exist and it is the responsibility of the owner and installer to comply with the codes.  
 Convotherm equipment is built to comply with applicable standards for manufacturers.