

# Champion®

The Dishwashing Machine Specialists

PROJECT: \_\_\_\_\_

ITEM # \_\_\_\_\_ QTY: \_\_\_\_\_

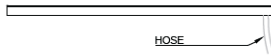
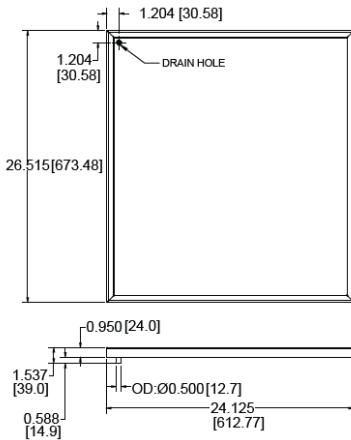
MODEL # \_\_\_\_\_

AIA # \_\_\_\_\_ SIS # \_\_\_\_\_

## UNDERCOUNTER ACCESSORIES

Dimensions shown in inches and [millimeters]

### DRIP TRAY

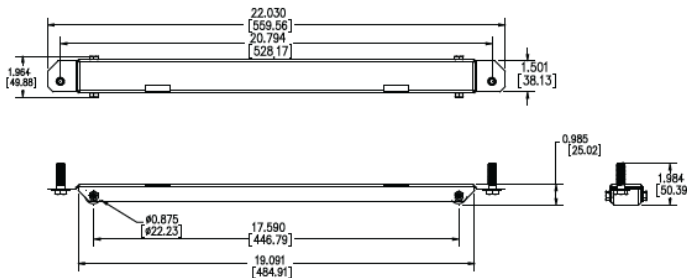


### CHAMPION PART NO. 0714208

**Notes:**

- 6 Feet PVC Clear Hose Included (0503930)
- Accommodates All Champion Undercounters

### UH/UL SERIES ROLLER KIT



### CHAMPION PART NO. 0712480-1

**Notes:**

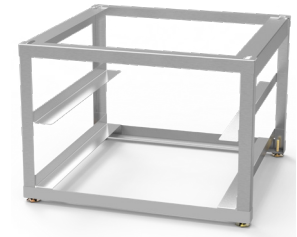
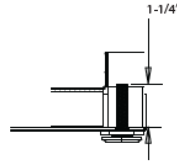
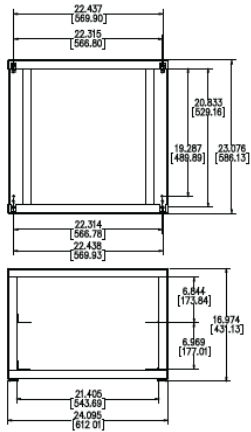
- Hardware is included
- Sold in pairs
- Accommodates the Champion UH & UL series undercounters

UNDERCOUNTER ACCESSORIES

**In the USA:**  
 3765 Champion Blvd, Winston-Salem, NC 27105  
 Tel: (336) 661-1556 Fax: (336) 661-1979  
[www.championindustries.com](http://www.championindustries.com)

**In Canada:**  
 2674 N. Service Rd., Jordan Station, Ontario, Canada L0R1S0  
 Tel: (905) 562-4195 Fax: (905) 562-4618  
[www.championindustries.com/1canada](http://www.championindustries.com/1canada)

### 17" RACK STAND (17RS)-ALL U/C MODELS

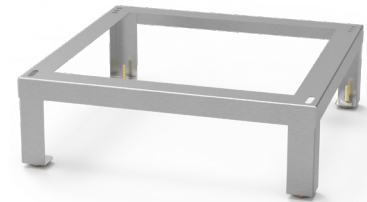
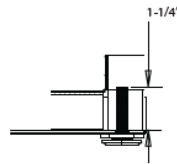
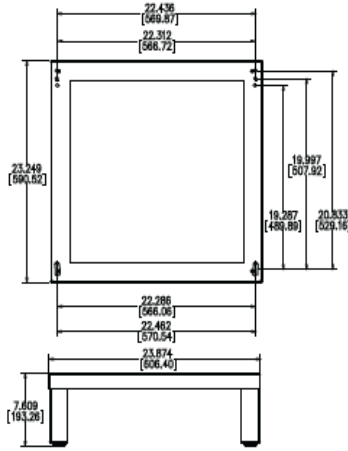


#### CHAMPION PART NO. 0708757

**Notes:**

- Hardware included
- Accommodates all Champion undercounter models
- Storage for 2 empty dishracks
- Includes four adjustable feet for leveling allowing up to 1-1/4" adjustment

### 8" STAND ALL U/C MODELS

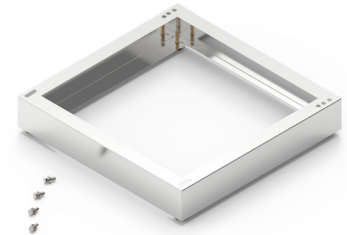
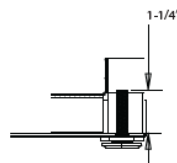
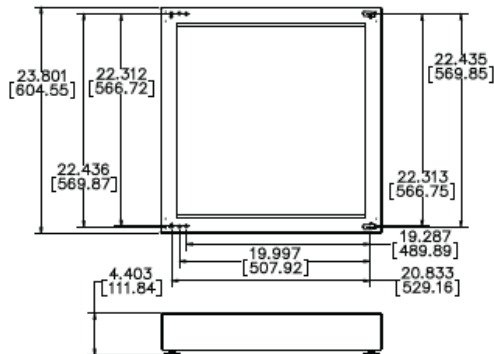


#### CHAMPION NO. 0712393

**Notes:**

- Hardware included
- Accommodates all Champion undercounter models
- Includes four adjustable feet for leveling allowing up to 1-1/4" adjustment.

### 4.5" STAND UH330ADA MODEL



#### CHAMPION PART NO. 0714292

**Notes:**

- Hardware included
- Accommodates UH330ADA converting it to a standard counter height undercounter
- Includes four adjustable feet for leveling allowing up to 1-1/4" adjustment