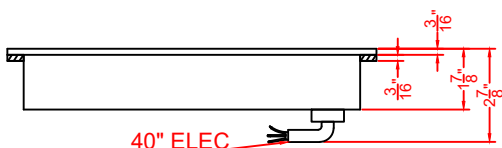


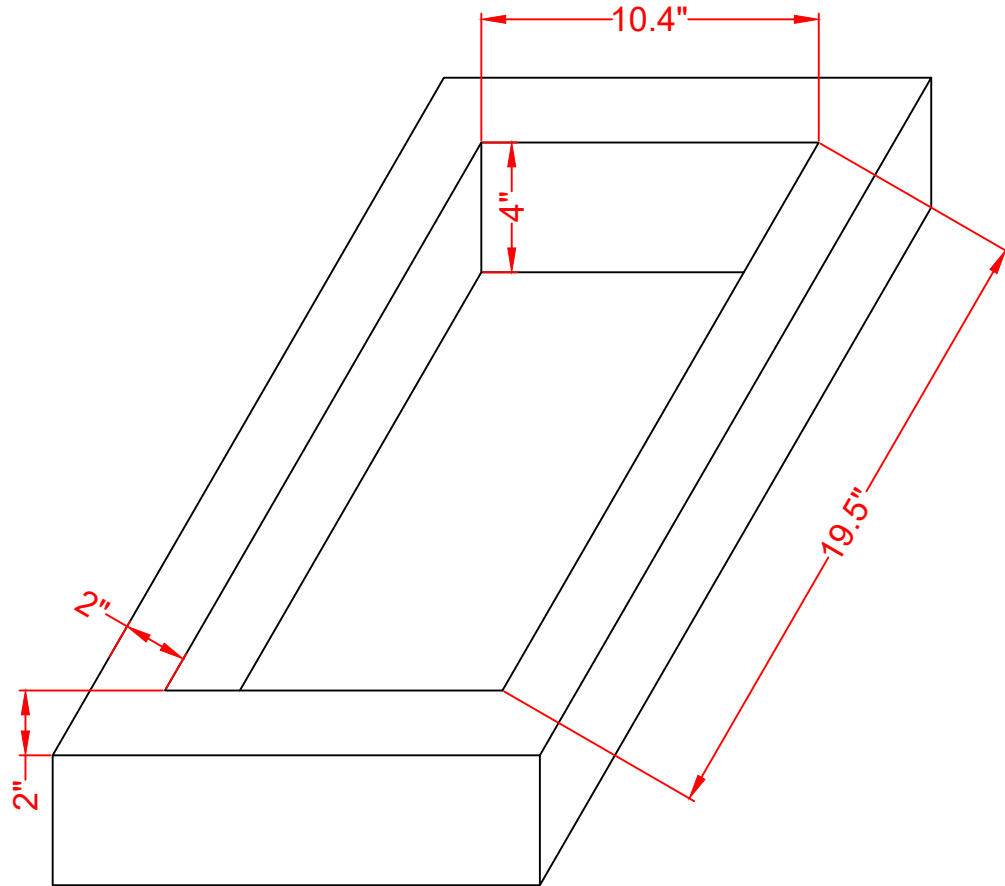
TOP VIEW

ELEC
3-1/16"



40" ELEC
230V

FRONT VIEW



CUTOUT

CRH2BT30230
Cooktop
09/18/23

SUMMIT

FELIX STORCH, INC.
www.summitappliance.com

718-893-3900