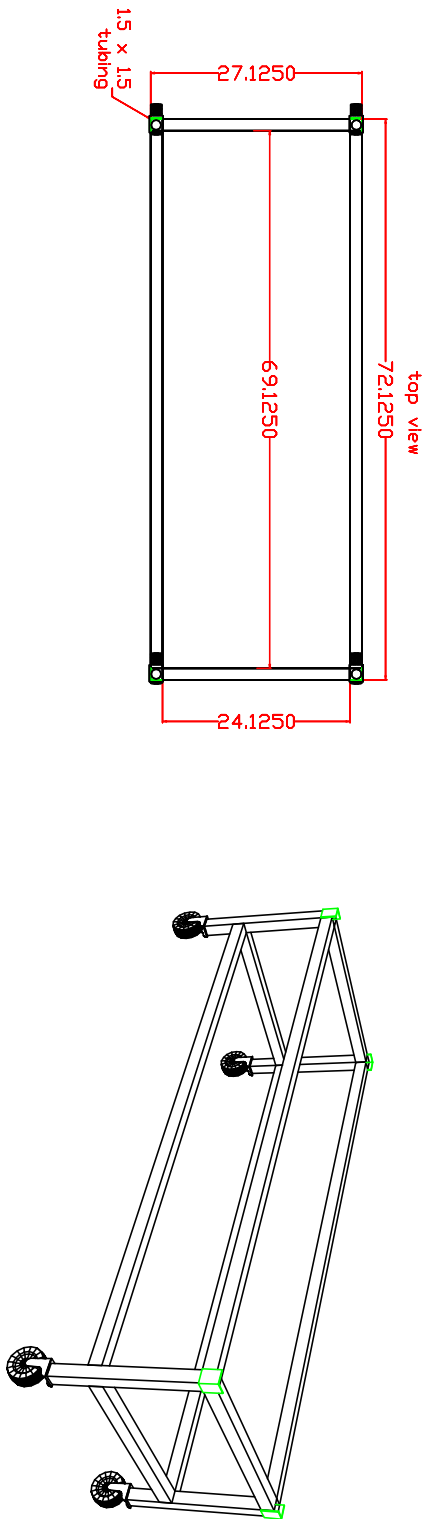
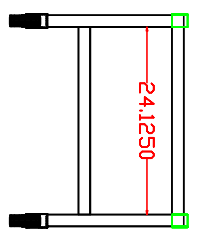
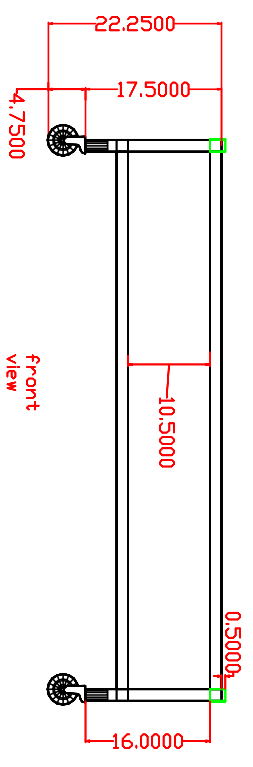


REVISIONS			
REV	DESCRIPTION	DATE	APPROVED
1	Updated drawing format to ISO standards	02/06/03	



- 72-1/8 - 2 pieces
- 69-1/8 - 2 pieces
- 16 - 4 pieces
- 24-1/8 - 4 pieces



side view

front view

HICKORY Industries, Inc				
North Bergen, NJ 07047				
----- TOLERANCES - UNLESS OTHERWISE SPECIFIED -----				
F .0313 ANGLES ± 1°				
THIS DRAWING IS THE PROPERTY OF HICKORY AND SHALL NOT BE USED				
OTHER THAN FOR INFORMATION WITHOUT WRITTEN PERMISSION FROM HICKORY				
MACHINE 6FT CHURRASCO (STAND)				
DATE	02/06/03	DWG FILE NO.	CHUR-STAND	6FT
SCALE	NONE	MATERIAL	SEE NOTES	DRAWN
				FM
			APPROVED	REV
				1