



/// Effortlessly steam multiple menu items at once with a single button — all with the Dim Sum Accessory for the Deluxe Food Warmer.

The Deluxe Food Warmer's new Dim Sum Accessory pairs steaming precision with the versatility and speed of high-performance engineering. Ideal for achieving the perfect steam in a compact footprint for multiple menu items, the Dim Sum Accessory offers foodservice operators a ventless, efficient method of preparing everything from dim sum, dumplings, and bao to seafood, vegetables, rice, and proteins in mere minutes.

The Dim Sum Accessory's compact, easy-to-clean design lets operators save both valuable space and time in the kitchen while the Deluxe Food Warmer cooks or rethermalizes multiple meals items simultaneously. Just as traditional dim sum steaming tables require large amounts of constantly boiling water, the DFW Dim Sum Accessory ensures water is used only during the DFW's flash steaming cycle, saving significant water and electricity with every dish.

Operators can select any variety of dim sum containers between 4½ and 5½ inches (11.4 and 14 cm) in diameter to easily create their own plug-and-play dim sum steaming platform in minutes. *(Dim sum containers are not included with the DFW Dim Sum Accessory.)*

With precise, high-performance steaming available at the press of a button, the Dim Sum Accessory makes it easier than ever to expand menus while saving space.

FEATURES:

- /// Steams multiple menu items simultaneously in only minutes — including dim sum, buns, dumplings, bao, rice, seafood, cakes, vegetables, eggs, and more.
- /// Compact countertop footprint maximizes valuable kitchen space and labor efficiency.
- /// Consumes significantly less water and electricity than conventional dim sum tables.
- /// Prepare a variety of different menu items with a consistent finish each and every time.
- /// Minimizes cross contamination between dishes and reduces human handling.
- /// No vent or hood required.
- /// Compatible with all dim sum containers with 4½ and 5½ inches (11.4 and 14 cm) diameter
- /// Stainless steel construction.



Dim Sum Accessory for DFW



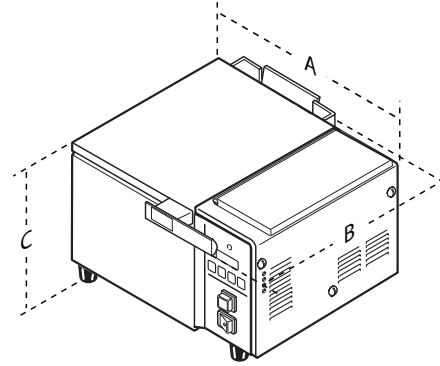
/// Dim Sum Accessory for Deluxe Food Warmer | DFW

Accessory Dimensions

Mfg. No.	Pair With	Pan Size	Width	Depth
7002132	DFWT 9100124	Two-Thirds (four holes)	20" (508 mm)	17 1/4" (438 mm)
70002131	DFWF 9100146	Full (six holes)	26 7/8" (683 mm)	17 1/4" (438 mm)

DFW Dimensions

Model No.	Width	Depth	Height
DFWT Two-Thirds Size Pan	20" (508 mm)	17 1/4" (438 mm)	8 3/4" (222 mm)
DFWF Full Size Pan	26 7/8" (683 mm)	17 1/4" (438 mm)	9 3/8" (238 mm)



DFW Electrical Ratings

Mfg. No.	Volts	Watts	Amps	Hertz	Plug Description
----------	-------	-------	------	-------	------------------

DFWT — Two-Thirds Size Pan and Self-Contained Water Tank

9100124	120	1800	15	50/60	NEMA 5-15P 15 Amp., 120 Volt
9100126	230	2800	12.2	50/60	CEE 7/7 16 Amp., 250 Volt
9100127	230	2800	12.2	50/60	BS 1363 Fused 13 Amp., 250 Volt

DFWT — Two-Thirds Size Pan With Direct Water Hookup

9100134	120	1800	15	50/60	NEMA 5-15P 15 Amp., 120 Volt
9100136	230	2800	12.2	50/60	CEE 7/7 16 Amp., 250 Volt
9100137	230	2800	12.2	50/60	BS 1363 Fused 13 Amp., 250 Volt

DFWF — Full Size Pan With Direct Water Hookup

9100146	208	3300	15.9	50/60	NEMA 6-20P 20 Amp., 250 Volt
9100156	230	3300	14.3	50/60	CEE 7/7 16 Amp., 250 Volt
9100157	230	3300	14.3	50/60	IEC-309 16 Amp., 230 Volt Pin & Sleeve



Antunes delivers a complete range of countertop cooking equipment and water filtration solutions to foodservice operations around the world. Learn more about Antunes and its products at antunes.com.

Corporate Headquarters
Carol Stream, IL, USA
Phone: +1.630.784.1000
Toll Free: +1.800.253.2991

China Facility
Suzhou, China
Phone: +84.512.6841.3637
Fax: +86.512.6841.3907

India Facility
Chennai, India
Phone: +91.44.25532212
Fax: +91.44.25532415