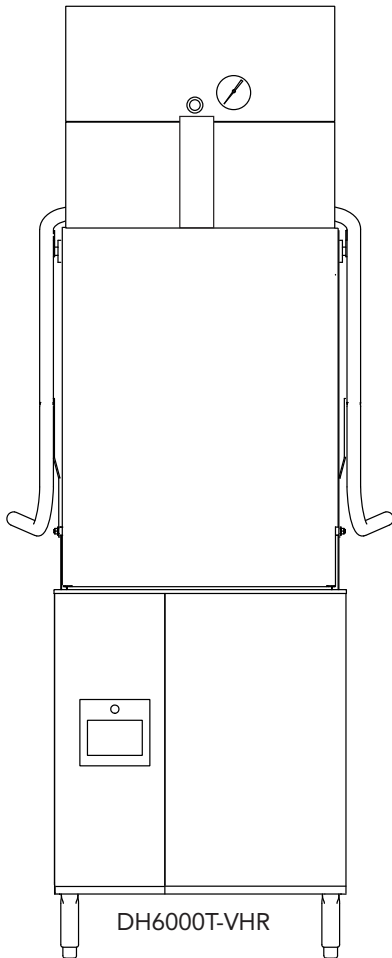


Champion®

Service Replacement Parts



Models:

DH6000
DH6000T

DH6000-VHR
DH6000T-VHR



Issue Date: 1.10.20

Manual P/N 115847 rev. D

For machines beginning with S/N D190217104 and above

NATIONAL SERVICE DEPARTMENT

USA

Toll-free: 1-800-858-4477
Tel: (336) 661-1556
Fax: (336) 661-1660
Email: service@championindustries.com

Canada

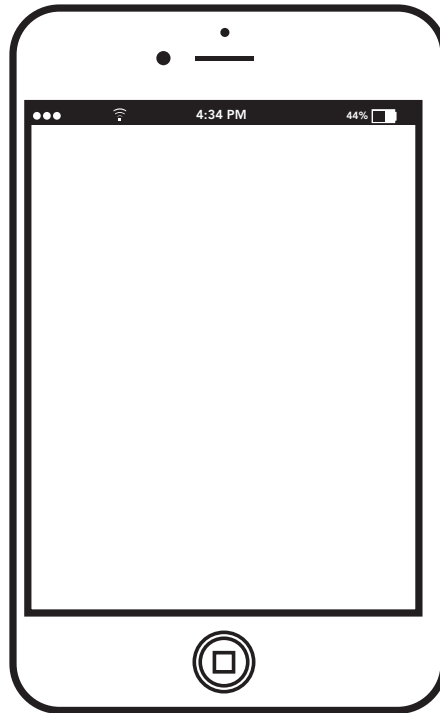
Toll-free: 1-800-263-5798
Tel: (905) 562-4195
Fax: (905) 562-4618
Email: service@moyerdiebellimited.com

ATTENTION

The machine data plate
is located right front corner
of the front panel.



**Two ways to
REGISTER YOUR PRODUCT and
ACTIVATE YOUR WARRANTY.**



- Use your mobile device and connect to the website www.championindustries.com to register your product.
- Complete the fax form on the next page.

PRODUCT REGISTRATION BY FAX

COMPLETE THIS FORM AND FAX TO:

(336) 661-1660 in the USA

1-(800) 204-0109 in Canada

PRODUCT REGISTRATION CARD

Model

Serial #

Date of Installation: ___/___/___

Company Name: _____

Address: _____
(Street) State/Province Zip/Postal Code

Telephone #: () _____ --- _____

Contact: _____

Installation Company: _____

Address: _____

Telephone #: _____

Contact: _____

FAILURE TO REGISTER YOUR PRODUCT MAY VOID YOUR WARRANTY

IMPORTANT IMPORTANT

Revision History

Specifications are subject to change based on continual product improvement.

<i>Revision Date</i>	<i>Revised Pages</i>	<i>Serial Number Effectivity</i>	<i>Revision Description</i>
8.30.19	All	D190217104	Released first edition.
9.9.19	39	D190217104	Changed Item 8, P/N 05108070 to P/N 0510870-1.
10.11.19	40-41	D191018397	Replaced Dependo-matic drain valve, P/N 114471 with metal electric drain valve, P/N 117014.
10.15.19	40-41	D191018397	Added 6" drain screen to tank.
12.9.19	36-37	All	Changed Item 9 solenoid from P/N 115808 to 116685.
1.10.20	28-31	D200118616	Updated Stanchions for DH6000 and DH6000T.

Limited Warranty

LIMITED WARRANTY

Champion Industries (herein referred to as "The Company"), 3765 Champion Blvd., Winston-Salem, North Carolina 27105, and 2674 N. Service Road, Jordan Station, Ontario, Canada, L0R 1S0, warrants machines, and parts, as set out below.

Warranty of Machines: The Company warrants all new machines of its manufacture bearing the name "Champion and installed within the United States and Canada to be free from defects in material and workmanship for a period of one (1) year after the date of installation or fifteen (15) months after the date of shipment by The Company, whichever occurs first. [See below for special provisions relating to glasswashers.] Warranty registration must be submitted to The Company within ten (10) days after installation either online on the Champion Industries website (<http://www.champion-industries.com>) or by the fax form provided at the front of this manual. The Company will not assume any responsibility for extra costs for installation in any area where there are jurisdictional problems with local trades or unions.

If a defect in workmanship or material is found to exist within the warranty period, The Company, at its election, will either repair or replace the defective part or accept return of the machine for full credit; provided; however, as to glasswashers, The Company's obligation with respect to labor associated with any repairs shall end (a) 120 days after shipment, or (b) 90 days after installation, whichever occurs first. In the event that The Company elects to repair, the labor and work to be performed in connection with the warranty shall be done during regular working hours by a Champion authorized service technician. Defective parts become the property of The Company. Use of replacement parts not authorized by The Company will relieve The Company of all further liability in connection with its warranty. In no event will The Company's warranty obligation exceed The Company's charge for the machine. The following are not covered by The Company's warranty:

- a. Lighting of gas pilots or burners.
- b. Cleaning of gas lines.
- c. Replacement of fuses or resetting of overload breakers.
- d. Adjustment of thermostats.
- e. Adjustment of clutches.
- f. Opening or closing of utility supply valves or switching of electrical supply current.
- g. Cleaning of valves, strainers, screens, nozzles, or spray pipes.
- h. Performance of regular maintenance and cleaning as outlined in the operator's guide.
- i. Damages resulting from water conditions, accidents, alterations, improper use, abuse, tampering, improper installation, or failure to follow maintenance and operation procedures.
- j. Wear on Pulper cutter blocks, pulse vanes, and auger brush.

Examples of the defects not covered by warranty include, but are not limited to: (1) Damage to the exterior or interior finish as a result of the above, (2) Use with utility service other than that designated on the rating plate, (3) Improper connection to utility service, (4) Inadequate or excessive water pressure, (5) Corrosion from chemicals dispensed in excess of recommended concentrations, (6) Failure of electrical components due to connection of chemical dispensing equipment installed by others, (7) Leaks or damage resulting from such leaks caused by the installer, including those at machine table connections or by connection of chemical dispensing equipment installed by others, (8) Failure to comply with local building codes, (9) Damage caused by labor dispute.

Warranty of Parts: The Company warrants all new machine parts produced or authorized by The Company to be free from defects in material and workmanship for a period of 90 days from date of invoice. If any defect in material and workmanship is found to exist within the warranty period The Company will replace the defective part without charge.

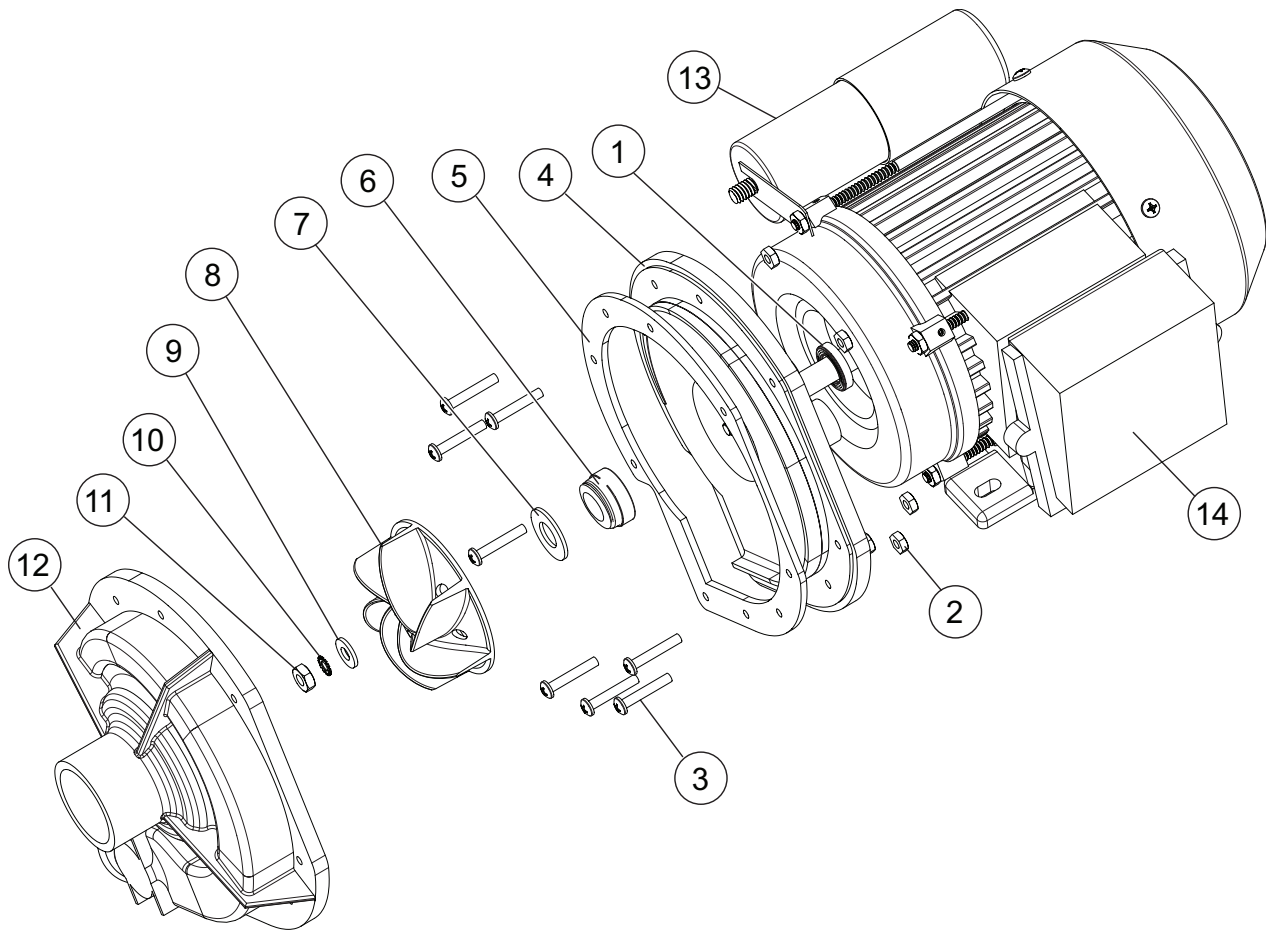
DISCLAIMER OF WARRANTIES AND LIMITATIONS OF LIABILITY. THE COMPANY'S WARRANTY IS ONLY TO THE EXTENT REFLECTED ABOVE. THE COMPANY'S MAKE NO OTHER WARRANTIES, EXPRESS OR IMPLIED, INCLUDING, BUT NOT LIMITED, TO ANY WARRANTY OF MERCHANTABILITY, OR FITNESS OF PURPOSE. THE COMPANY SHALL NOT BE LIABLE FOR INCIDENTAL OR CONSEQUENTIAL DAMAGES. THE REMEDIES SET OUT ABOVE ARE THE EXCLUSIVE REMEDIES FOR ANY DEFECTS FOUND TO EXIST IN THE COMPANY'S DISHWASHING MACHINES AND THE COMPANY'S PARTS, AND ALL OTHER REMEDIES ARE EXCLUDED, INCLUDING ANY LIABILITY FOR INCIDENTALS OR CONSEQUENTIAL DAMAGES.

The Company does not authorize any other person, including persons who deal in Champion dishwashing machines to change this warranty or create any other obligation in connection with Champion dishwashing machines.

Service Replacement Parts

ILLUSTRATION	PAGE
Wash Pump/Motor	2
Booster	4
Heat Recovery Coil.....	6
Heat Recovery Cover	8
Fill Piping.....	10
Rinse Piping.....	12
Wash Manifold- DH6000T	14
Wash Manifold - DH6000	16
Spray Arms	18
Panels	20
Tracks.....	22
Hood and Handle - DH6000T	24
Hood and Handle - DH6000	26
Back Support and Guides - DH6000T	28
Bask Support and Guides - DH6000	30
Hoses.....	32
Control Panel.....	34
Door Lock - (VHR Only)	36
Chemical Dispensing Pumps.....	38
Wash Tank	40
Dish Racks	42

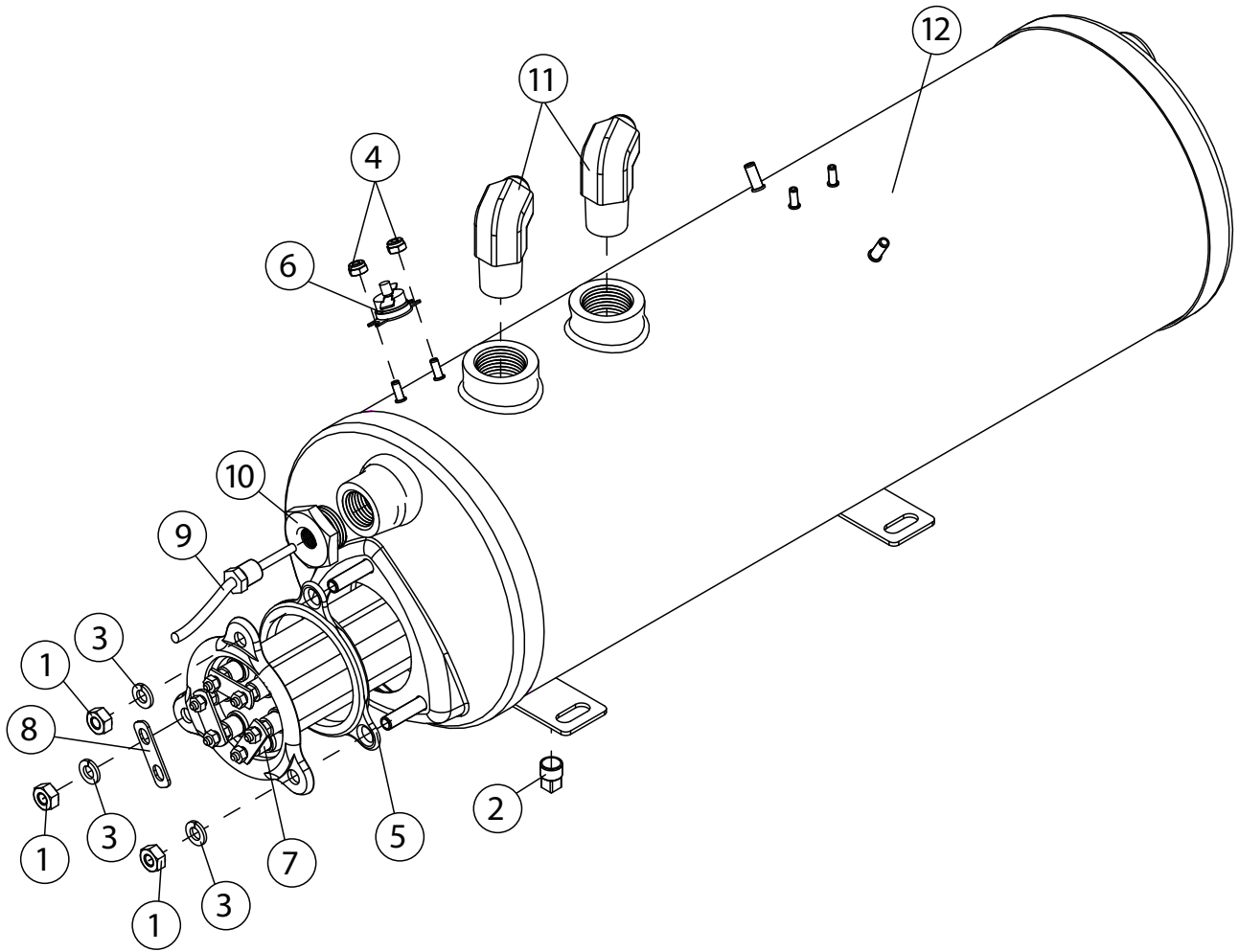
Wash Pump/Motor



Item No.	Part No.	Description	Qty.
1	114134	SLINGER, WATER	1
2	107337	NUT, PLAIN M4	9
3	0512340	SCREW, M4 X 0.70 30 mm PHILIPPS PAN HEAD	9
4	114137	PLATE, BACKING, C/W CAPACITOR BRKT.	1
5	110285	GASKET, PUMP	1
6	114139	SEAL, PUMP	1
7	114140	WASHER	1
8	114141	IMPELLER	1
9	114142	WASHER	1
10	114143	WASHER, LOCK	1
11	114144	NUT, IMPELLER (LH THREADS)	1
12	114145	HOUSING, PUMP	1
13	112637	CAPACITOR 31.5 μ F	1
14	115143	1HP PUMP/2HP MOTOR ASSEMBLY COMPLETE 208-240VAC/60/1PH	A/R
---	115144	1HP PUMP/2 HP MOTOR ASSEMBLY COMPLETE 208-266/360-460VAC/60/3PH	A/R
--	115429	1HP PUMP/2HP MOTOR ASSEMBLY COMPLETE 230V/50/1PH (For 380-415V/50/3 machines)	A/R

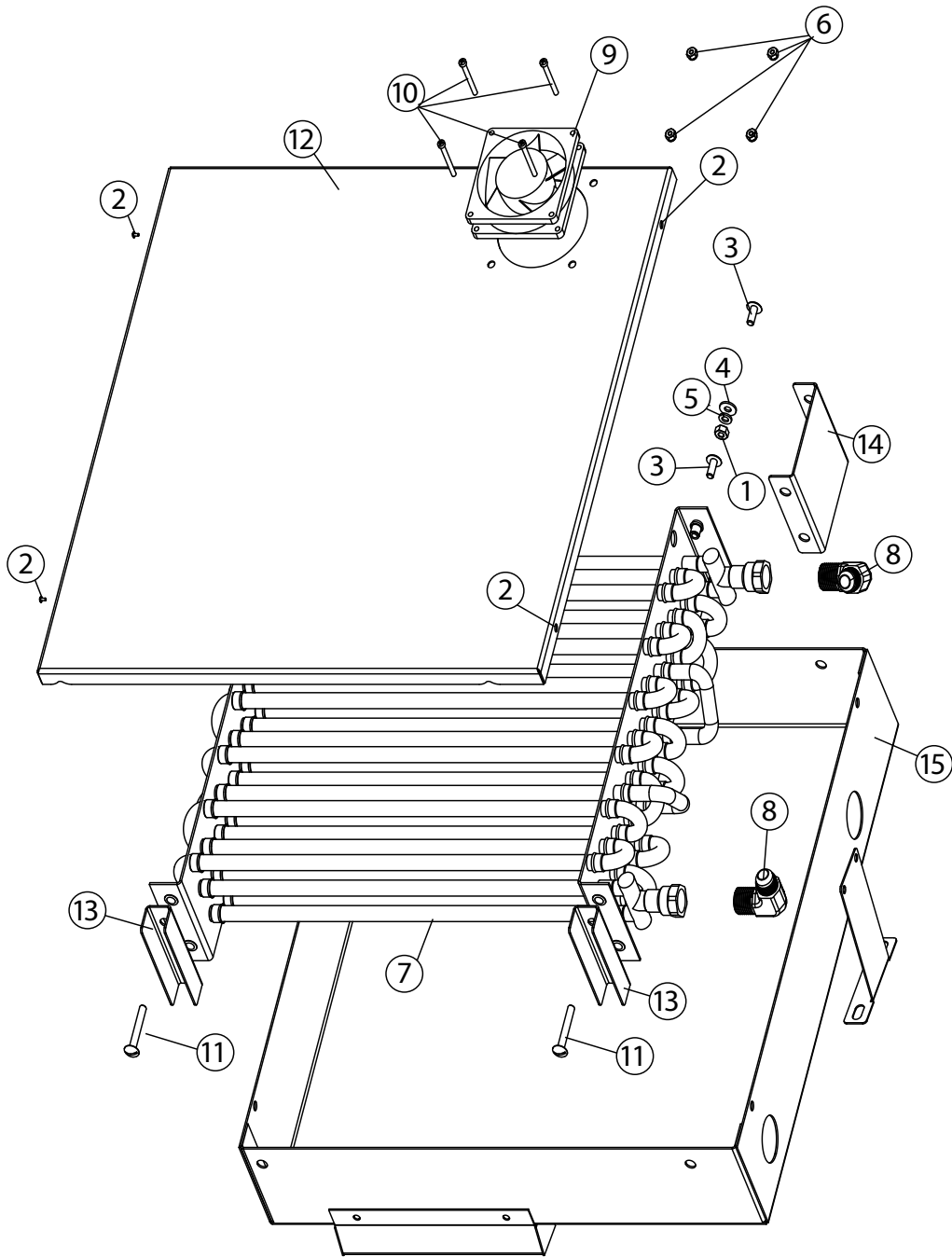
THE MOTOR CANNOT BE ORDERED SEPARATELY.

Booster



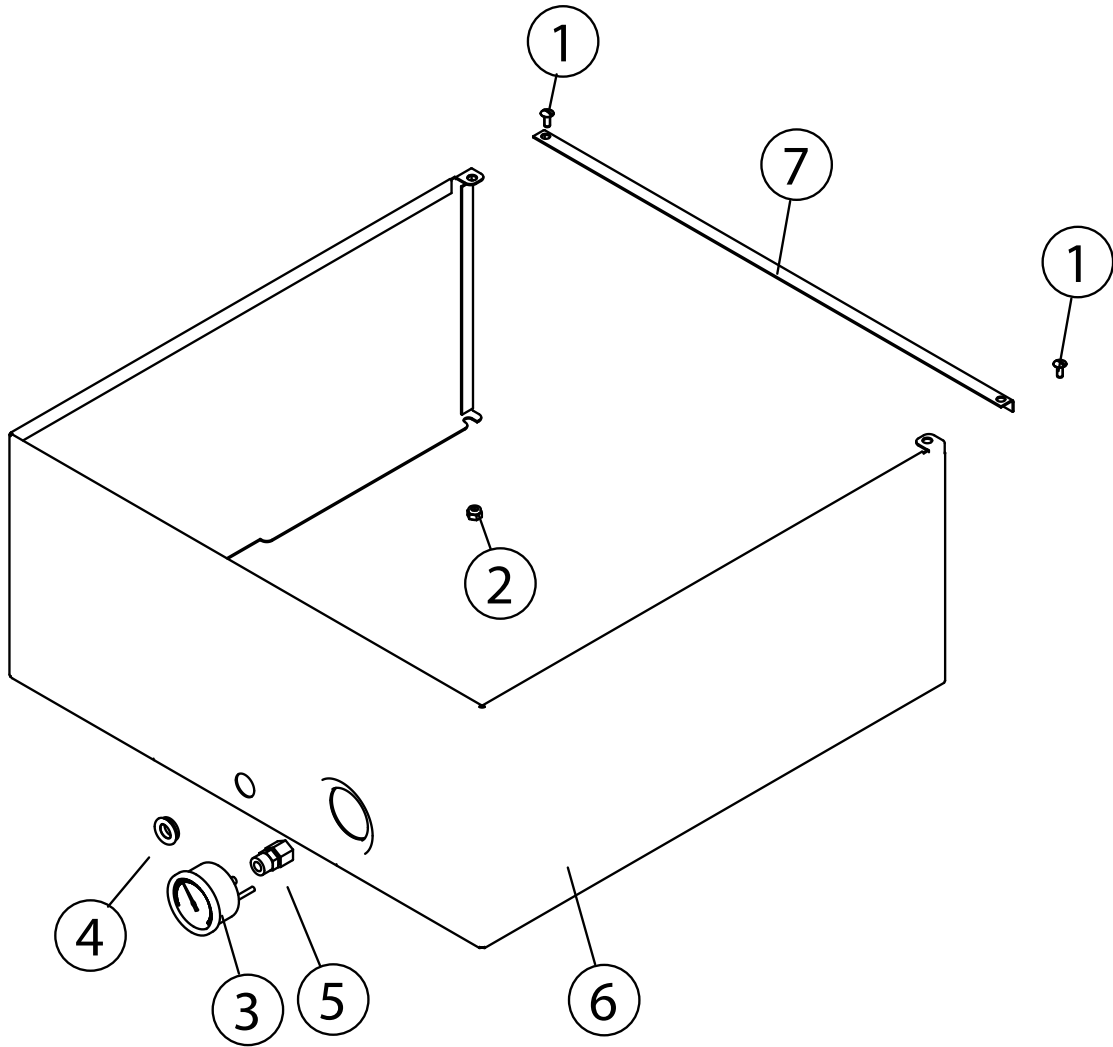
Item No.	Part No.	Description	Qty.
1	100003	NUT, PLAIN, 1/4-20 SST	6
2	100210	PLUG, 1/8" NPT SQ. HEAD, SST	1
3	106482	WASHER, LOCK 1/4" SPLIT SST	6
4	108954	NUT, GRIP, 6-32 W/NYLON INSERT SST	2
5	109985	SEAL, ELECTRIC HEATER FLANGE	1
6	110562	THERMOSTAT, FIXED, SNAP, 240°F	1
7	111233	HEATER, 7.5KW, 208-240V/60/1PH & 3PH	1
--	108579	HEATER, 9KW, 480V/60/3PH	1
8	111488	JUMPER, STRIP HEATER (Same as 0508960)	1
9	114435	THERMISTOR, 10kΩ, 36" LEAD	1
10	115530	ADAPTER, THERMOMETER DIGITAL (Alt to 0512299)	1
11	117040	ELBOW , MALE 3/4 NPT, X 5/8" 37° FLARE JIC BRASS	2
12	0509042	BOOSTER TANK, WELDED ASSEMBLY	1

Heat Recovery Coil



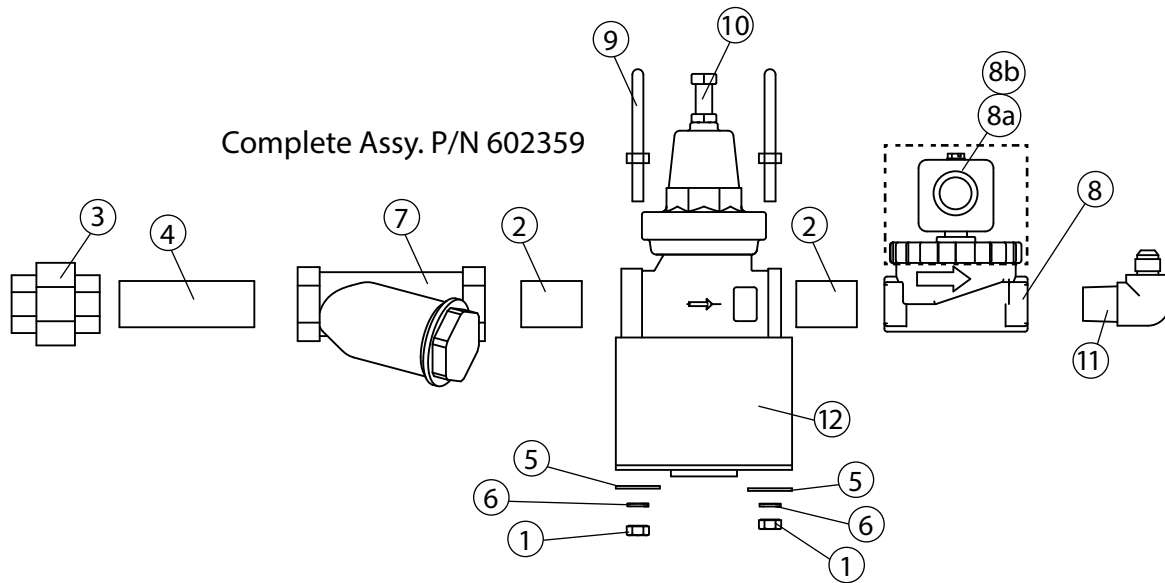
Item No.	Part No.	Description	Qty.
1	100003	NUT, HEX PLAIN, 1/4-20 SST	2
2	100007	SCREW, TRUSS HD, 10-32" X 3/8" SST	4
3	100779	SCREW, TRUSS HD, 1/4-20 X 5/8" TRUSS HEAD SST	4
4	106026	WASHER, FLAT, 1/4"	2
5	106482	WASHER, LOCK 1/4 SPLIT SST	2
6	107965	NUT, GRIP 8-32 SST W/NYLON INSERT	4
7	114931	COIL, BATTERY ,CONDENSATE REMOVAL	1
8	115100	ELBOW, MALE 1/2 NPT X 1/2", 37° FLARE JIC	2
9	116783	FAN, NMB 24VDC, 92MM X 92MM 91.8 CFM	1
10	116805	SCREW, FILISTER HEAD, 8-32 X 1-1/2" SST	4
11	117013	SCREW, TRUSS HEAD 1/4-20 X 1-3/4" SST	2
12	338679	COVER, TOP COIL	1
13	338764	SHORT, COIL SPACER	2
14	338765	LONG, COIL SPACER	2
15	339276	BOX, COIL WELDMENT	1
---	338730	BEAUTY PANEL, TOP (NOT SHOWN)	1
---	116688	BUSHING, SNAP-IN SMOOTH BORE 1/2" DIA. (NOT SHOWN)	1
---	338791	PANEL, BEAUTY, REAR CROSS BAR ASSY. (NOT SHOWN)	1

Heat Recovery Cover



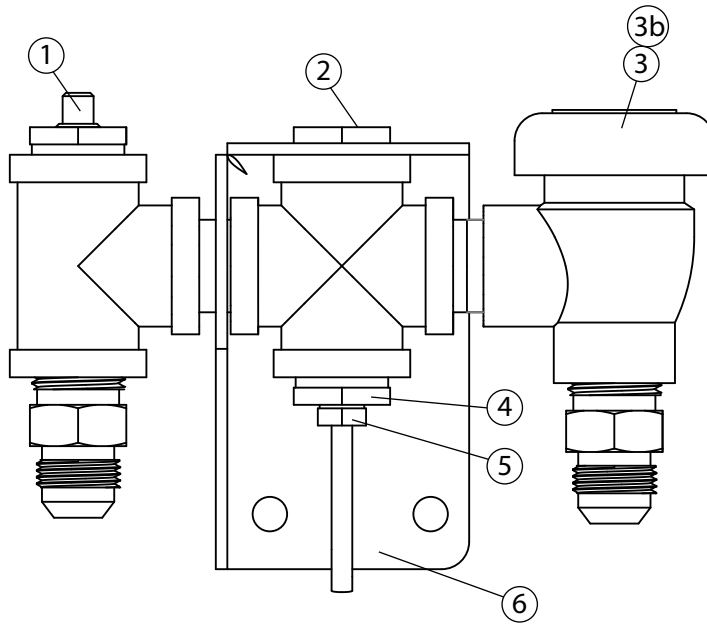
Item No.	Part No.	Description	Qty.
1	100097	SCREW, TRUSS HEAD, 10-32 X 1/2" SST	2
2	107967	NUT, GRIP 1/4-20 W/NYLON INSERT SST	6
3	109812	GAUGE-PRESSURE, 0-60 PSI, PANEL	1
4	116688	BUSHING, SNAP-IN, SMOOTH BORE, 1/2" DIA.	1
5	117007	ADAPTER, 1/4" O.D. X 1/4" MPT PLASTIC, ENDRIES	1
6	338730	DH6000T, VHR, TOP BEAUTY PANEL	1
7	338790	DH6000T, VHR, BEAUTY PANEL, REAR CROSS BAR	1

Fill Piping



Item No.	Part No.	Description	Qty.
1	100003	NUT, HEX PLAIN, 1/4-20 SST	4
2	100184	NIPPLE, 3/4" NPT X CLOSE BRASS	2
3	100571	UNION, 3/4" NPT BRASS	1
4	102653	NIPPLE, 3/4" X 4" LG. BRASS	1
5	104925	WASHER, FLAT 1/4"	4
6	106482	WASHER, LOCK 1/4" SPLIT SST	4
7	110768	STRAINER, LINE 3/4" NPT BRONZE FEMALE	1
8	111437	VALVE, SOLENOID, 3/4" NPT HW	1
8a	114839	KIT, REPAIR, VALVE 3/4" HW	A/R
8b	111472	COIL, SOLENOID 3/4" 120VAC	A/R
9	115169	U-BOLT, 1/4-20 X 1-3/8" L THD X 1-1/2" OD	2
10	116945	VALVE, PRV 25-75 PSI 3/4" NPT	1
11	117040	ELBOW, MALE 3/4" NPT X 5/8" 37° FLARE JIC BRASS	1
12	334775	BRACKET, INLET PLUMBING SUPPORT	1

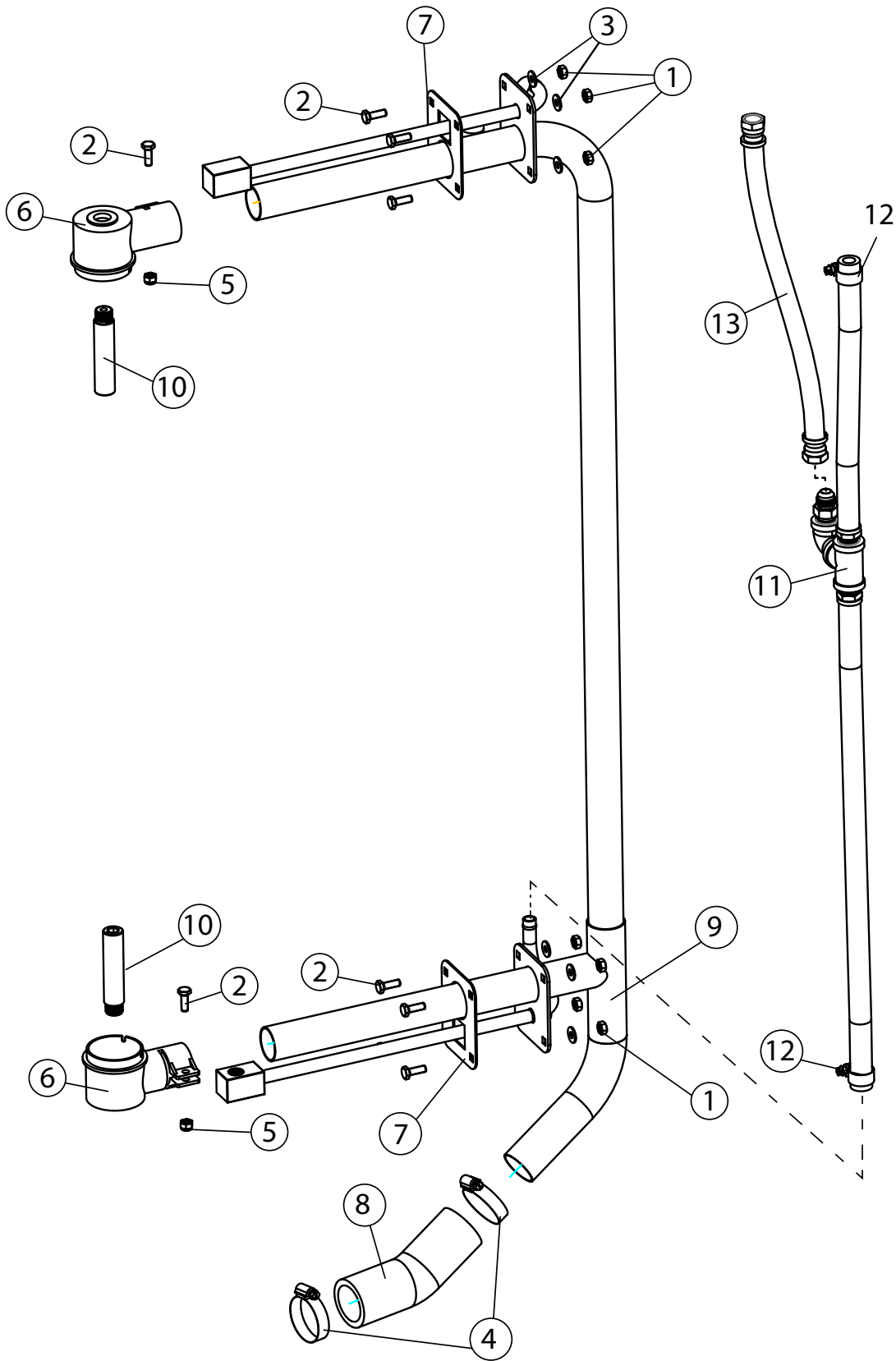
Rinse Piping



<p>INJECTOR, RINSE AID P/N 116966</p> <p>GAUGE, PRESSURE, 0-60 PSI P/N 100135</p> <p>DH6000/T without VHR with DET</p>	<p>INJECTOR, RINSE AID P/N 116966</p> <p>ELBOW, 1/4" OD TUBE X 1/4" MPT PLASTIC TUBE FITTING, P/N 116989</p> <p>DH6000/T with VHR with DET</p>
<p>PLUG, 1/8" NPT P/N 100210</p> <p>DH6000/T with VHR without DET</p>	<p>GAUGE, PRESSURE, 0-60 PSI P/N 100135</p> <p>DH6000/T without VHR without DET</p>

Item No.	Part No.	Description	Qty.
1	100210	PLUG, 1/8" SQ. HEAD SST	1
2	102388	BUSHING, REDUCING 1/2" NPT X 1/4" NPT BRASS	1
3	100500	BREAKER, VACUUM 1/2" BRONZE	1
3b	900836	KIT, REPAIR, VACUUM BREAKER	A/R
4	114717	BUSHING, REDUCING 1/2" NPT X 1/8" NPT SST	1
5	114435	THERMISTOR, 10k Ω , 36" LEAD	1
6	339057	BRACKET, RINSE PLUMBING	1

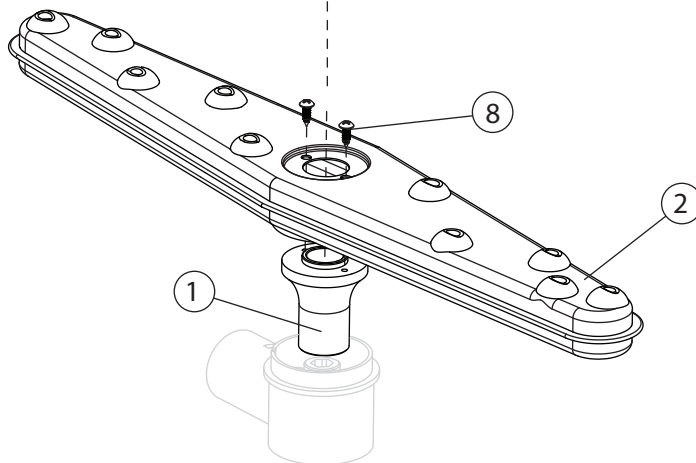
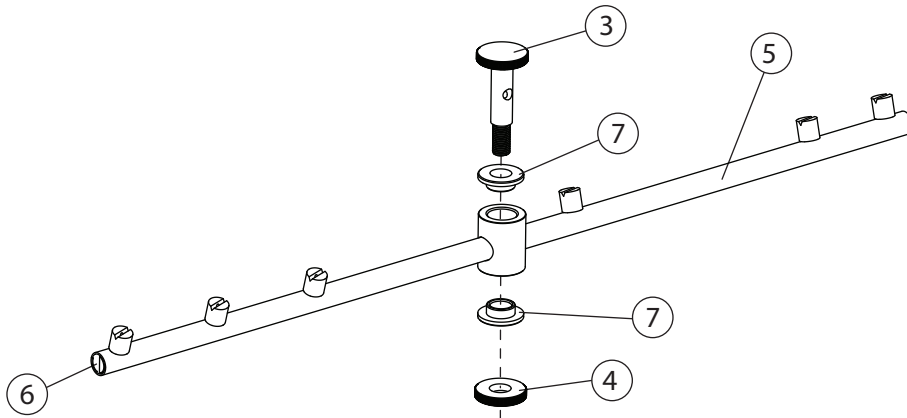
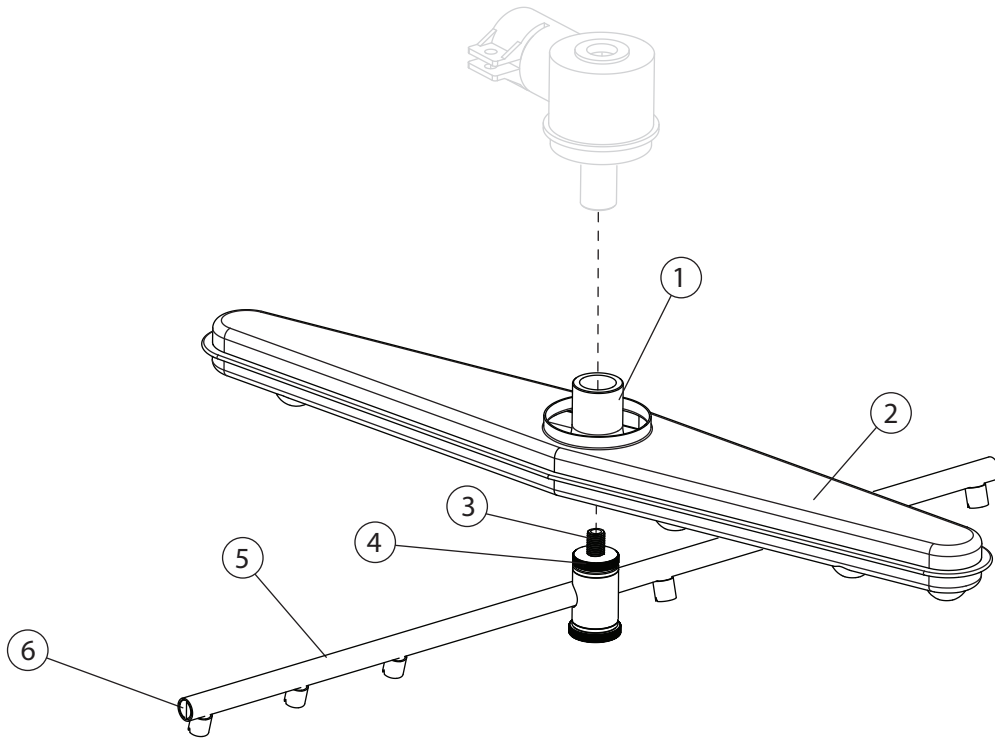
Wash Manifold - DH6000T



Item No.	Part No.	Description	Qty.
1	107967	NUT GRIP, 1/4-20 W NYLON INSERT SST	8
2	100214	SCREW, TRUSS HEAD, 1/4-20 X 3/4" SST	10
3	106026	WASHER, FLAT 1/4" SST	8
4	107340	CLAMP, HOSE M28 W/CS SCREW	2
5	107967	GRIP NUT, 1/4-20 SST W/NYLON INSERT	2
6	109864	SUPPORT, WASH ARM	2
7	116940	GASKET, STANDPIPE WASH	2
8	115159	HOSE, DISCHARGE, DH5000	1
9	338832	STANDPIPE, WELDMENT, DH6000T	1
10	0507445	SPINDLE, WASHARM	2
11	602093	PIPING ASSY., FINAL RINSE	1
12	105994	CLAMP, HOSE, 1/2"-1-18" W/CS SCREW	2
13	419974	HOSE ASSY. 1/2" ID X 14" LG	1

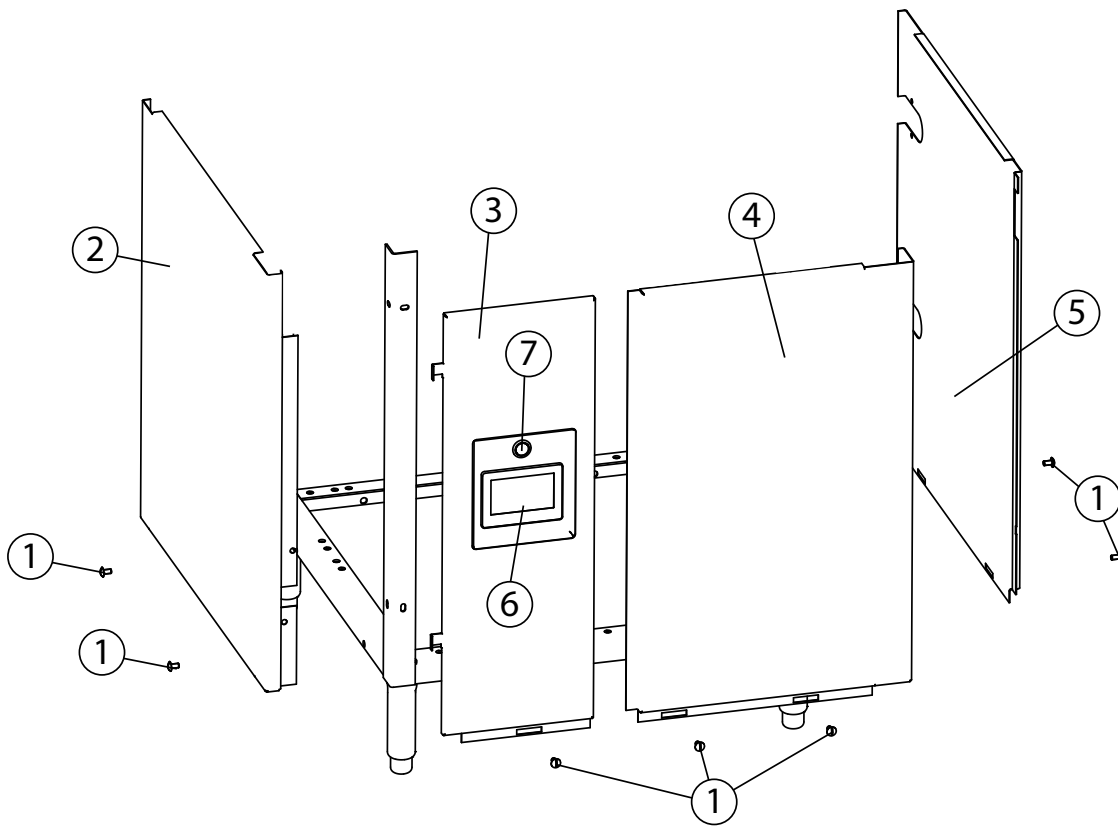
Item No.	Part No.	Description	Qty.
1	100214	SCREW, TRUSS HEAD, 1/4-20 X 3/4" SST	8
2	100736	BOLT, HEX HEAD, 1/4-20 X 3/4" SST	2
3	105994	CLAMP, HOSE, 1/2" -1-18" W/CS SCREW	2
4	106026	WASHER, FLAT 1/4" SST	8
5	107340	CLAMP, HOSE M28 W/CS SCREW	2
6	107967	GRIP NUT, 1/4-20 SST W/NYLON INSERT	10
7	109864	SUPPORT, WASH ARM	2
8	116940	GASKET, STANDPIPE WASH	2
9	115159	HOSE, DISCHARGE	1
10	338833	STANDPIPE, WELDMENT WASH/RINSE	1
11	419325	HOSE ASSY., 1/2" ID X 11" LG. FLARE JIC	1
12	0507445	SPINDLE, WASHARM	2
13	602482	PIPING ASSY., FINAL RINSE	1

Spray Arms



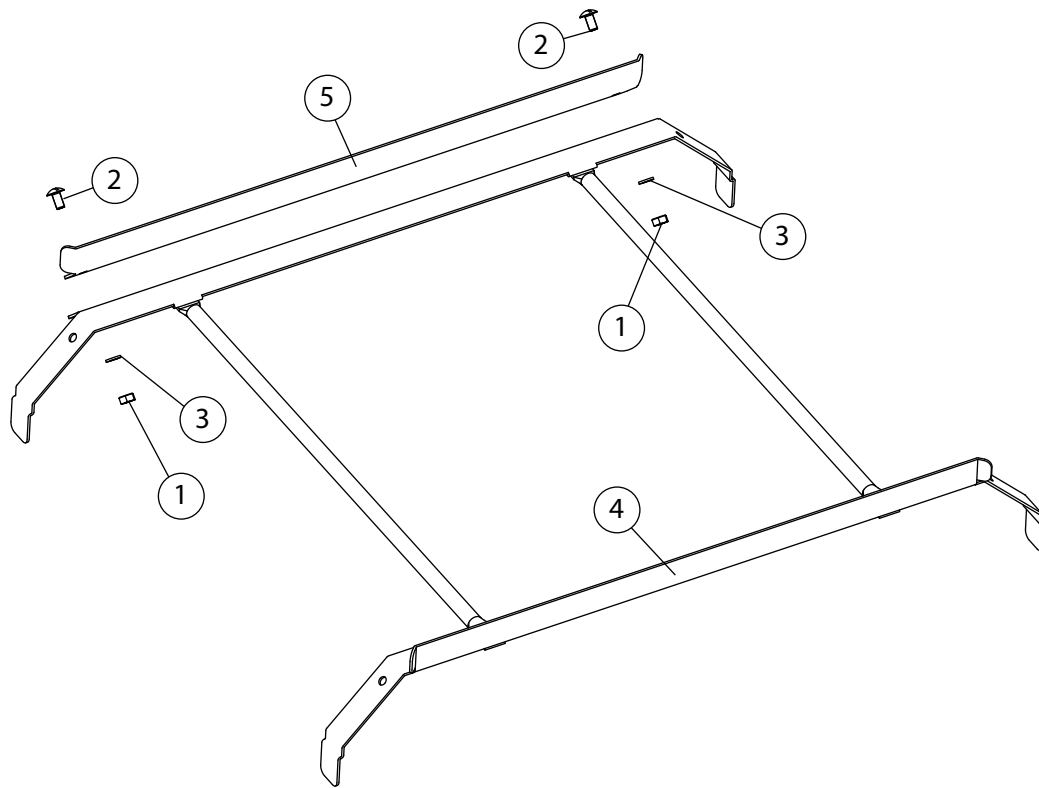
Item No.	Part No.	Description	Qty.
1	207096	WASHARM, BEARING	2
2	114858	WASHARM, WELDMENT	2
3	0507443	SPINDLE, RINSE ARM	2
4	114556	NUT, SPINDLE	2
5	115222	RINSE ARM, WELDMENT	2
6	114861	ENDCAP, HEADLESS, 7/16-20 SST	6
7	113514	BEARING, RINSE ARM	4
8	109835	SCREW, #8 X 1/2" SELF-TAPPING PAN HEAD, PHILLIPS	4
---	900975	RINSE ARM ASSEMBLY, COMPLETE (INCLUDES ITEMS 5-7)	2
---	900954	WASH ARM ASSEMBLY, COMPLETE (INCLUDES ITEMS 1,2 & 8)	2

Panels



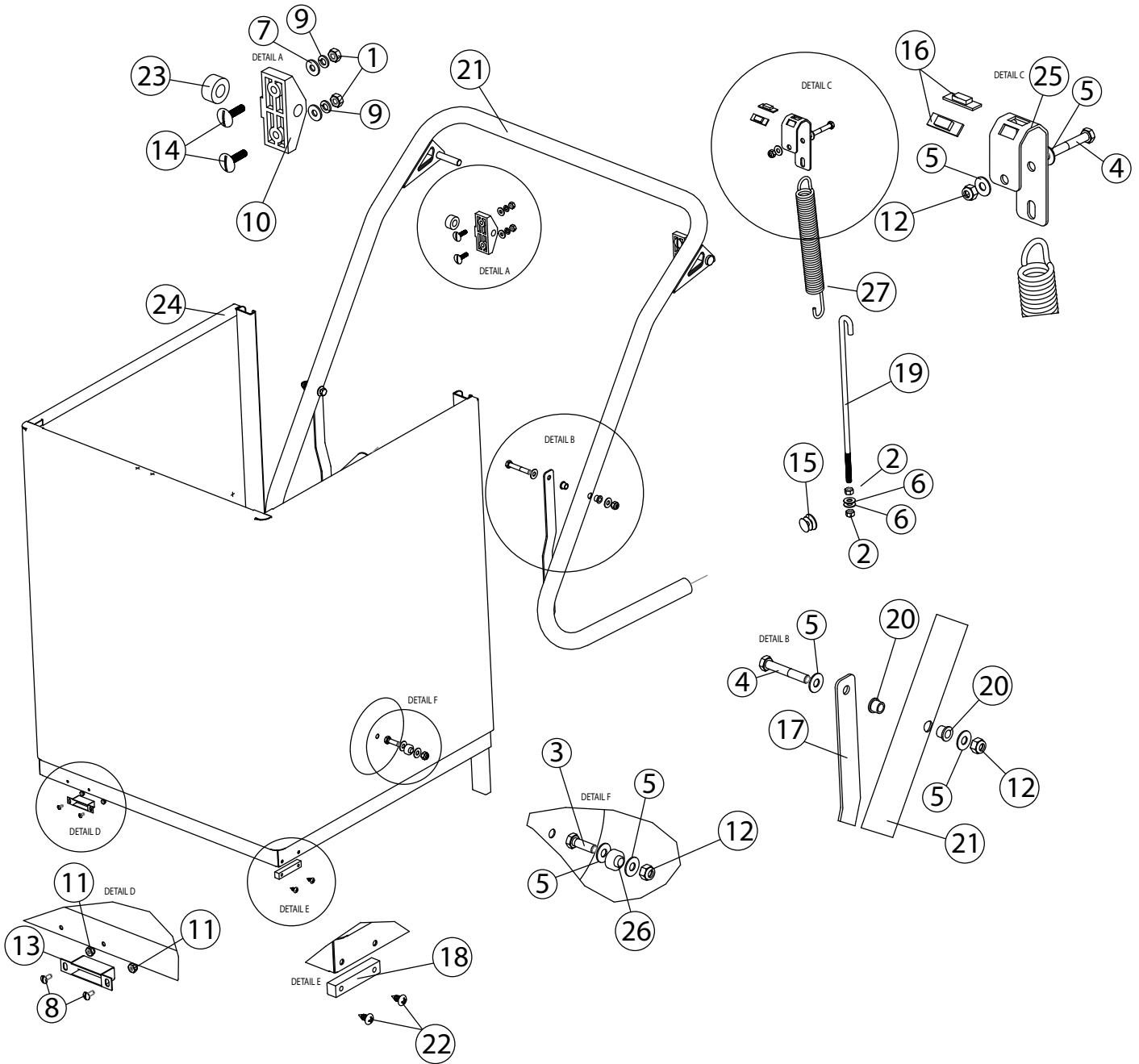
Item No.	Part No.	Description	Qty.
1	100073	SCREW, TRUSS HEAD 1/4-20 X 1/2" SST	7
2	339006	PANEL, DH6K/T, LHS	1
3	339011	FRONT PANEL, SCHNEIDER HMI	1
4	339005	PANEL, DH6K/T FRONT RHS	1
5	339004	PANEL, DH6K/T RHS	1
6	116889	SCHNEIDER PRO FACE HMI (PFXGP4114T2D)	1
7	116852	PUSHBUTTON, ON/OFF 22MM	1

Tracks



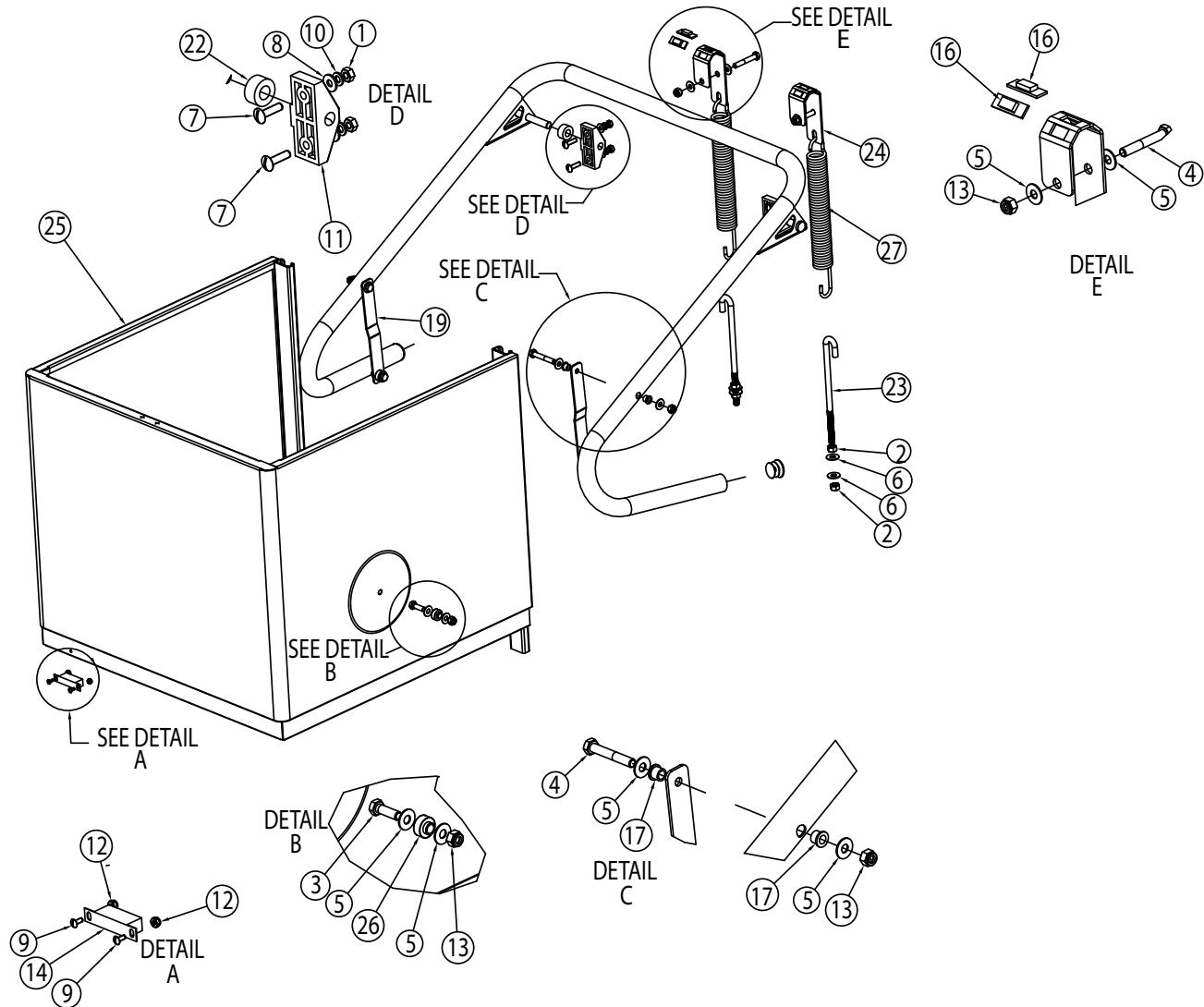
Item No.	Part No.	Description	Qty.
1	100003	HEX, PLAIN NUT 1/4-20	2
2	100073	SCREW, TRUSS HEAD 1/4-20 X 1/2" SST	2
3	106482	WASHER, LOCK 1/4" SPLIT SST	2
4	335780	TRACK WELDMENT	1
5	332023	TRACK, RAIL ADJUST	1

Hood and Handle -DH6000T



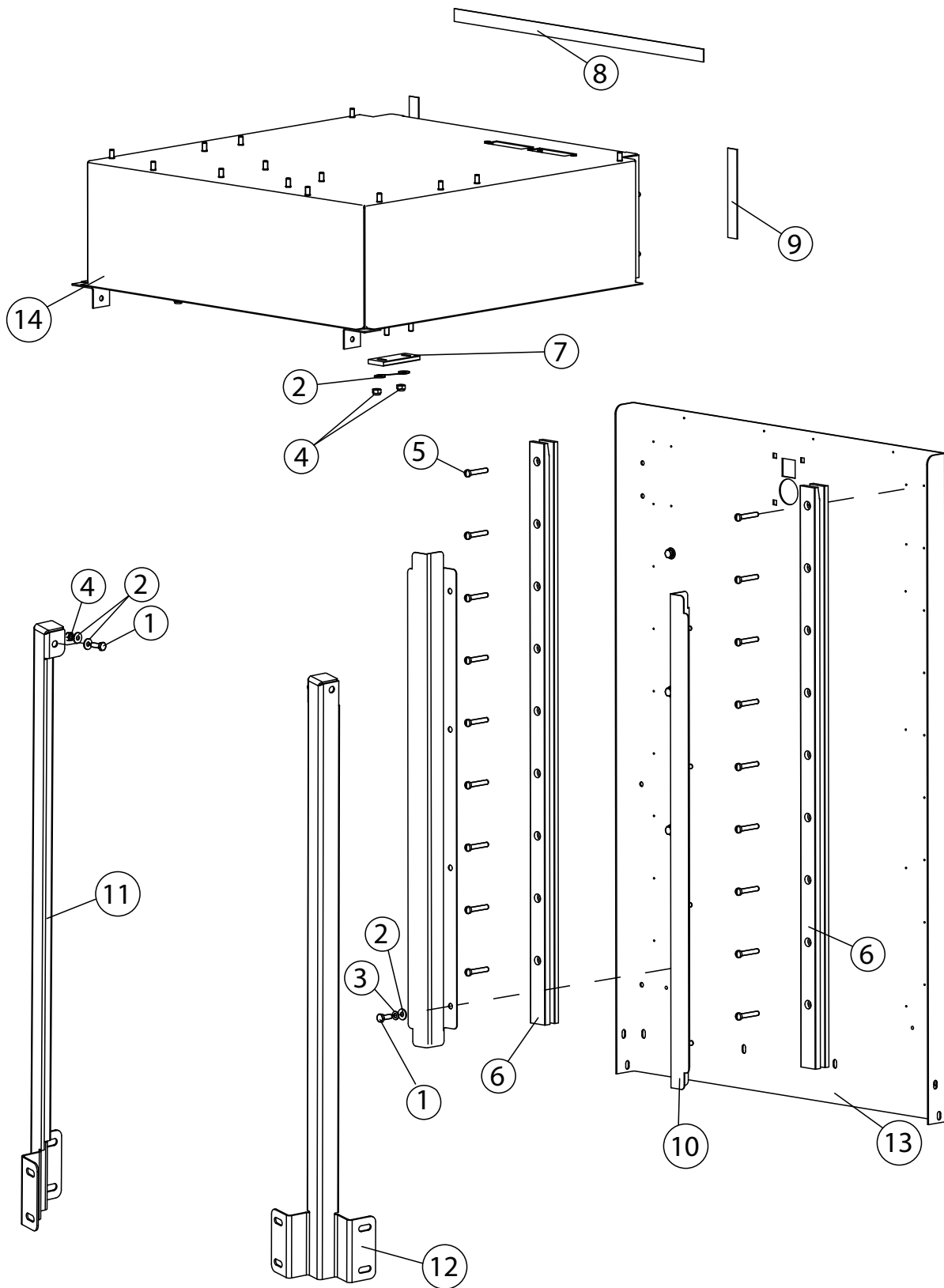
Item No.	Part No.	Description	Qty.
1	100003	HEX PLAIN NUT, 1/4-20 SST	4
2	100140	HEX PLAIN NUT, 3/8-16 SST	4
3	100740	BOLT, HEX HEAD, 5/16-18 X 1" SST	2
4	100742	BOLT, HEX HEAD, 5/16-18 X 2" SST	4
5	102376	WASHER, FLAT 5/16" SST	12
6	104618	WASHER, FLAT 3/8" SST	4
7	106026	WASHER, FLAT 1/4" SST	4
8	106382	SCREW, TRUSS HEAD 6-32 X 3/8" SST	2
9	106482	WASHER, LOCK 1/4" SPLIT SST	4
10	107399	SUPPORT, PIVOT BLOCK DOOR HANDLE	2
11	108954	HEX GRIP NUT, 6-32 SST W/NYLON INSERT	2
12	109009	HEX GRIP NUT, 5/16-18 SST W/NYLON INSERT	6
13	113937	MAGNET, ALEPH	1
14	115286	SCREW, 1/4-20 X 1" LG FLAT WIDE HEAD	1
15	115627	END CAP, LIFT HANDLE	2
16	115637	BUSHING, LIFT ARM	4
17	115641	LINK, HOOD ARM	2
18	115643	GUIDE, FRONT UHMW	2
19	116231	J-BOLT, 3/8-16 X 14" LG	2
20	116275	BEARING, FLANGED, SLEEVED BRONZE OIL EMBEDDED	4
21	116804	LIFT ARM, WELDMENT	1
22	116835	SCREW, 18-8 SST ROUND HEAD BLUNT THREADS, #10	4
23	116933	BUSHING, LIFT ARM	2
24	336125	HOOD, WELDMENT, CHAMPION	1
25	336434	BRACKET, SPRING	2
26	0509264	BUSHING, SIDE DOOR	2
27	0510459	SPRING, DOOR	2

Hood and Handle -DH6000



Item No.	Part No.	Description	Qty.
1	100003	HEX PLAIN NUT, 1/4-20 SST	4
2	100140	HEX PLAIN NUT, 3/8-16 SST	4
3	100740	BOLT, HEX HEAD, 5/16-18 X 1" SST	2
4	100742	BOLT, HEX HEAD, 5/16-18 X 2" SST	4
5	102376	WASHER, FLAT 5/16" SST	12
6	104618	WASHER, FLAT 3/8" SST	4
7	105286	SCREW, TRUSS HEAD 1/4-20 X 1" SST	4
8	106026	WASHER, FLAT 1/4" SST	4
9	106382	SCREW, TRUSS HEAD 6-32 X 3/8" SST	2
10	106482	WASHER, LOCK 1/4" SPLIT SST	4
11	107399	SUPPORT, PIVOT BLOCK DOOR HANDLE	2
12	108954	HEX GRIP NUT, 6-32 SST W/NYLON INSERT	2
13	109009	HEX GRIP NUT, 5/16-18 SST W/NYLON INSERT	6
14	113937	MAGNET, ALEPH	1
15	115627	END CAP, LIFT HANDLE	2
16	115637	BUSHING, LIFT ARM	4
17	116275	BEARING, FLANGED, SLEEVED BRONZE OIL EMBEDDED	4
18	116768	LIFT ARM	1
19	116722	LINK ARM, DOOR	2
20	116857	PIVOT, BRACKET	2
21	116872	HINGE PIN, LIFT ARM	2
22	116933	BUSHING, LIFT ARM	2
23	117064	8" J-HOOK, 3/8-16 SST	2
24	336434	BRACKET, SPRING	2
25	338433	DOOR WELDMENT	1
26	0509264	BUSHING, SIDE DOOR	2
27	0510459	SPRING, DOOR	2

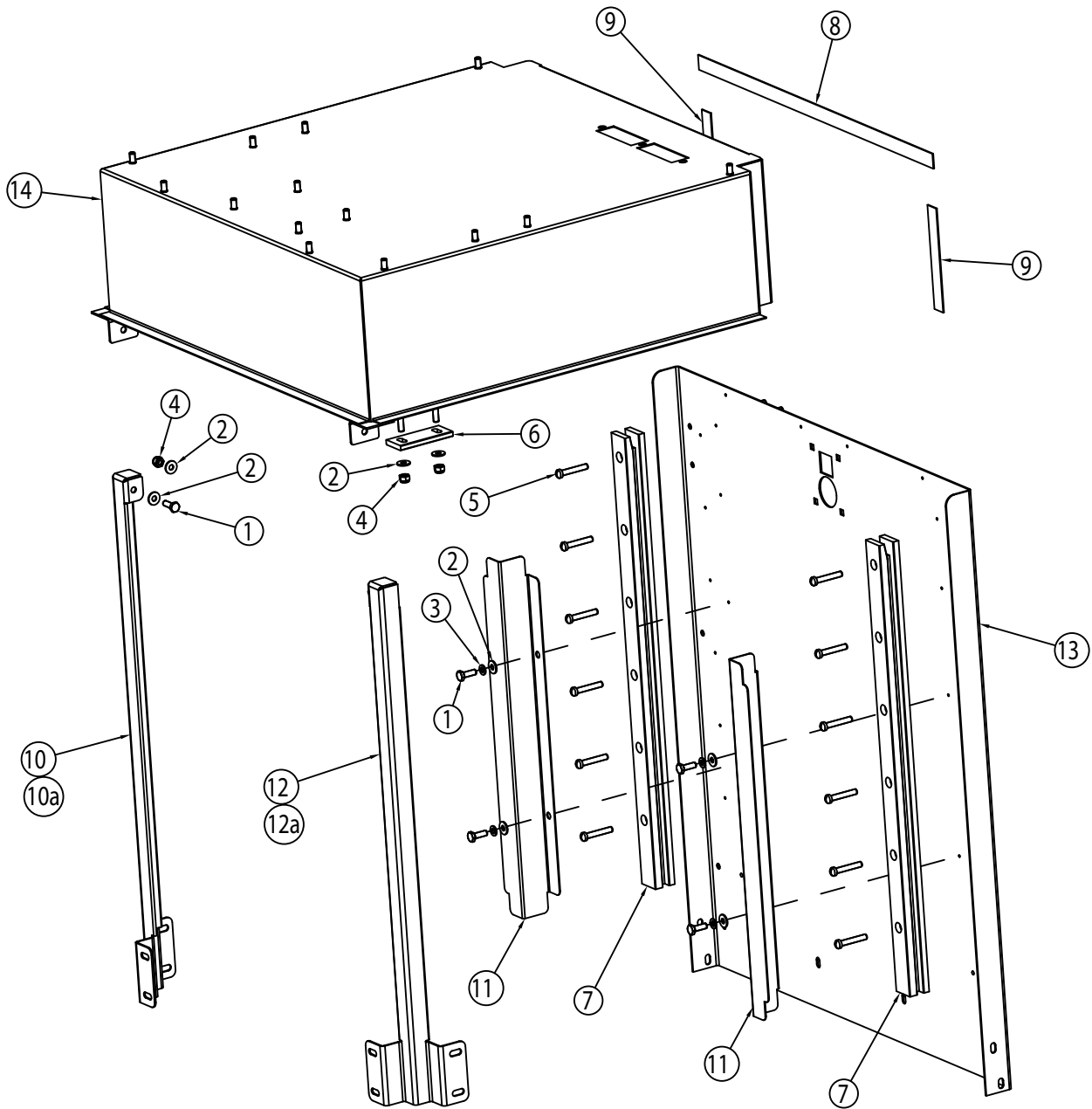
Back Support and Guides -DH6000T



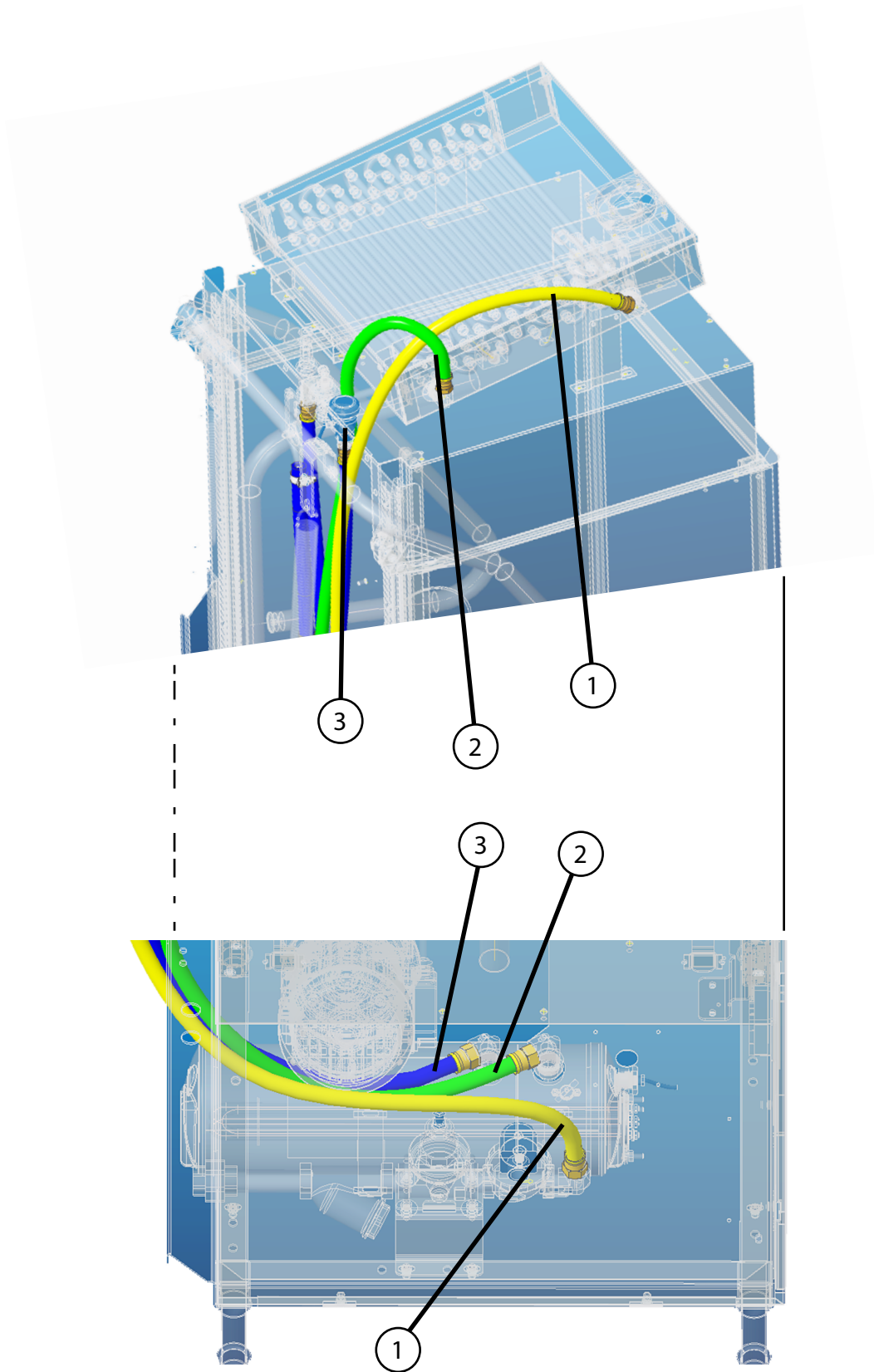
Item No.	Part No.	Description	Qty.
1	100736	BOLT, HEX HEAD, 1/4-20 X 3/4" SST	18
2	106026	WASHER, FLAT 1/4" SST	24
3	106482	WASHER, LOCK 1/4" SPLIT, SST	16
4	107967	HEX GRIP NUT, 1/4-20 SST W/NYLON INSERT	6
5	114866	SCREW, FILLISTER HEAD, 1/4-20 X 1-1/2" SST	18
6	114886	GUIDE, HOOD	2
7	116425	HOOD, GUIDE STATIONARY	2
8	207315	GASKET, 20-1/4" LG X 3/4" WD PORON 1/8" THK	1
9	207316	GASKET, 5-1/4" LG X 3/4" WD PORON 1/8" THK	2
10	334621	BAFFLE, DEFLECTOR HOOD	2
11	336966*	UPRIGHT SUPPORT, LH (Updated at S/N 200118616)	1
12	336967*	UPRIGHT SUPPORT, RH (Updated at S/N 200118616)	1
13	338486	BACK SUPPORT, WELDMENT	1
14	339278	TOP, HOOD	1

* Formed legs are now of equal length.

Back Support and Guides - DH6000

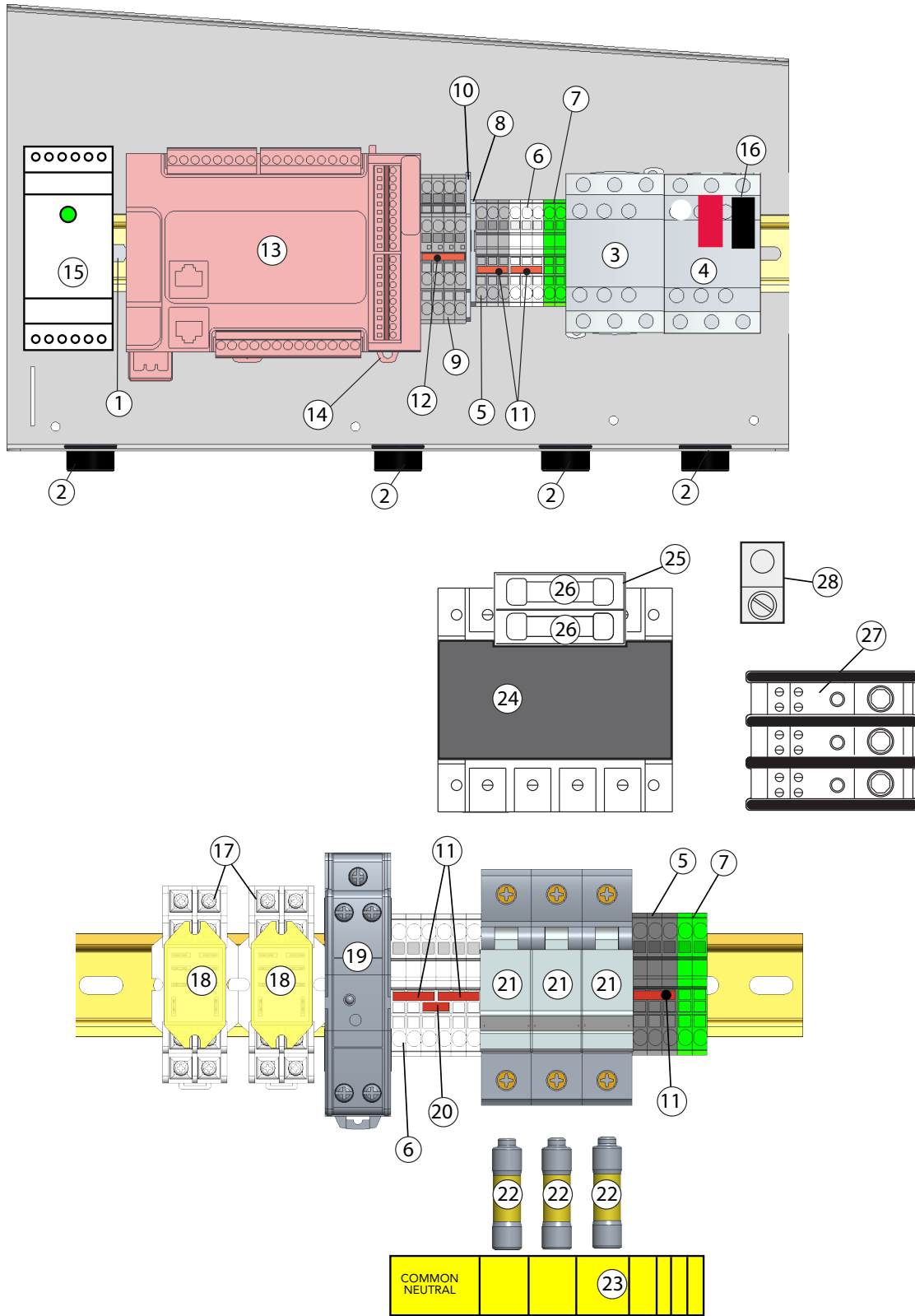


Item No.	Part No.	Description	Qty.
1	100736	BOLT, HEX HEAD, 1/4-20 X 3/4" SST	6
2	106026	WASHER, FLAT 1/4" SST	12
3	106482	WASHER, LOCK 1/4" SPLIT, SST	4
4	107967	GRIP NUT, 1/4-20 SST W/NYLON INSERT	6
5	117012	SCREW, FILLISTER HEAD, 1/4-20 X 1" SST	12
6	116425	HOOD, GUIDE STATIONARY	2
7	116773	GUIDE, DOOR DH6000	2
8	207315	GASKET, 20-1/4" LG X 3/4" WD PORON 1/8" THK	1
9	207316	GASKET, 5-1/4" LG X 3/4" WD PORON 1/8" THK	2
10	338409	UPRIGHT SUPPORT, LH (Prior to S/N D200118616)	1
10a	339584	UPRIGHT SUPPORT, LH (Begin with S/N D200118616)	1
11	338410	BAFFLE, DEFLECTOR HOOD	2
12	338417	UPRIGHT SUPPORT, RH (Prior to S/N D200118616)	1
12a	339583	UPRIGHT SUPPORT, RH (Begin with S/N D200118616)	1
13	338431	BACK SUPPORT, WELDMENT	1
14	339219	TOP, HOOD, 3 BOLT VHR, WELDMENT	1



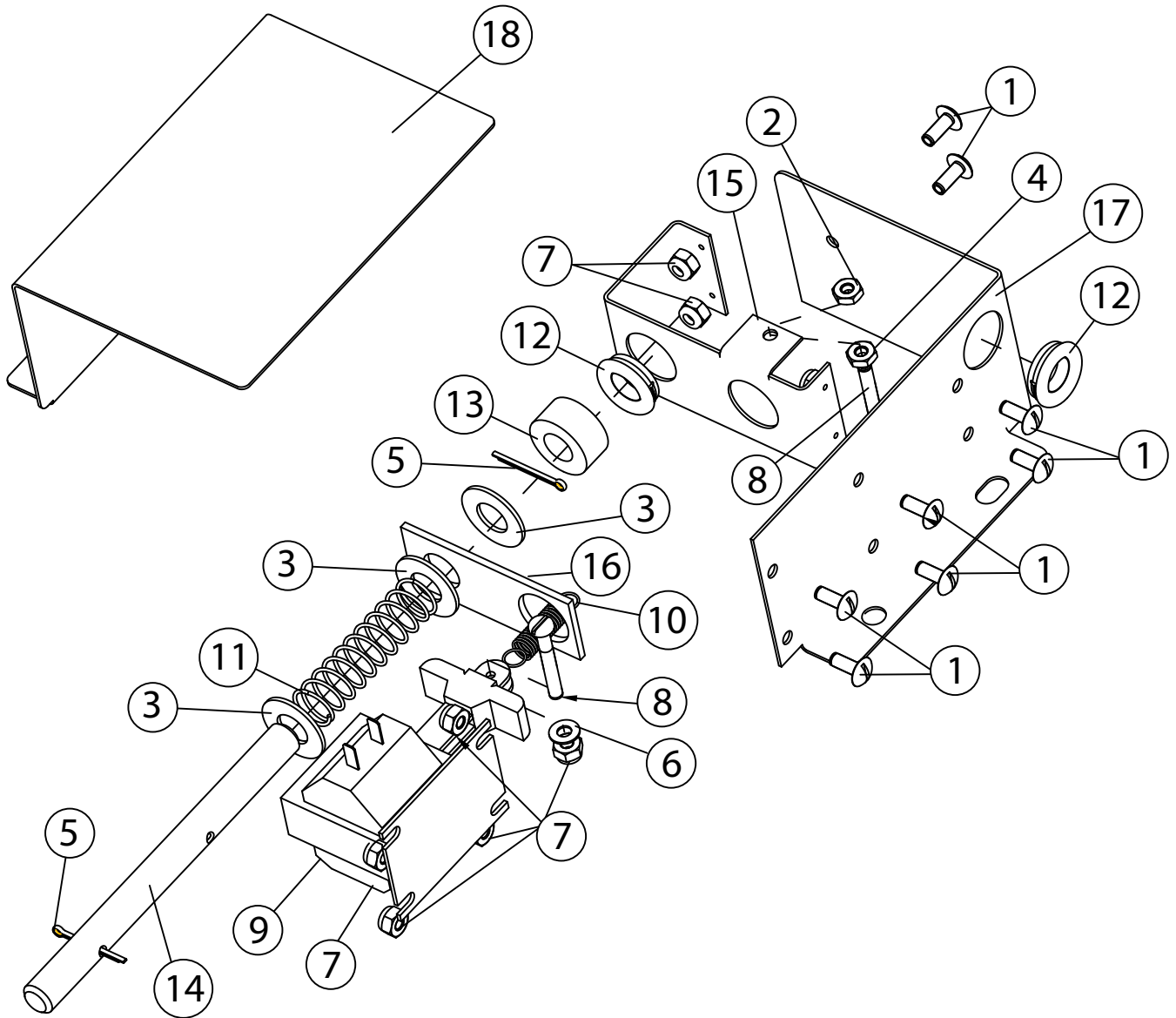
Item No.	Part No.	Description	Qty.
1	421006	HOSE, COIL TO BOOSTER, YELLOW, VHR	1
2	421005	HOSE, COLD IN TO COIL, GREEN, VHR	1
3	421004	HOSE, BOOSTER TO MANIFOLD, BLUE	1

Control Panel



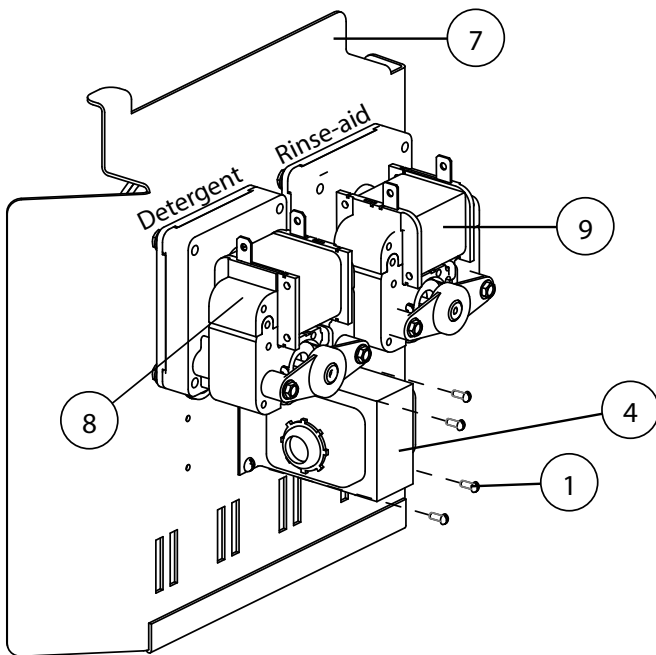
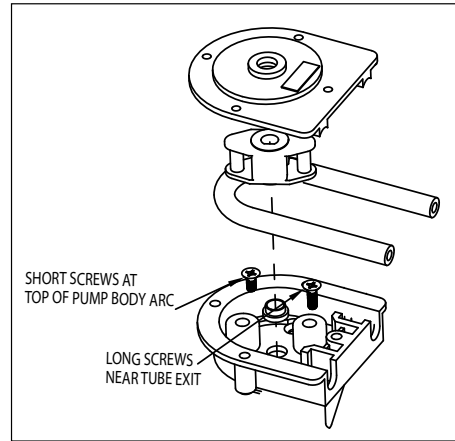
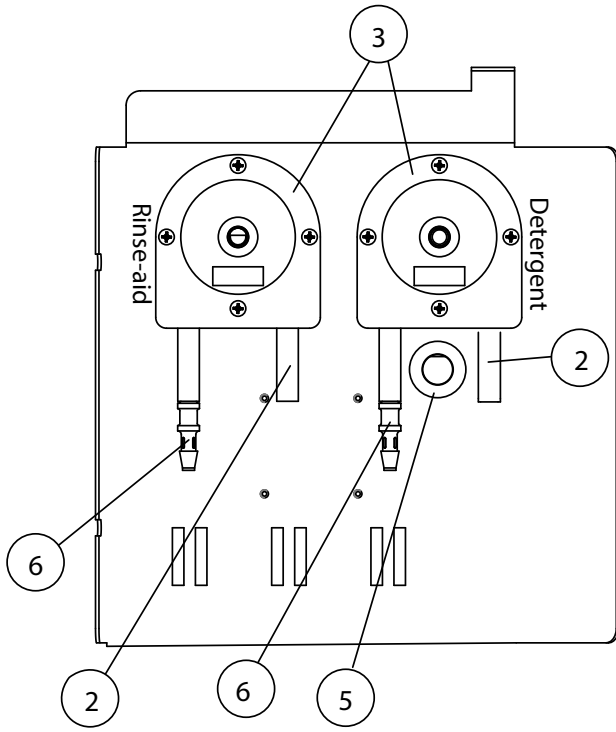
Item No.	Part No.	Description	Qty.
1	107136	BOLT, HEX HEAD 10-32 X 3/8" SST	4
2	107964	BUSH, SNAP #2126 0.875" X 0.687"	4
3	108122	CONTACTOR, 3 POLE	1
4	113161	MOTOR STARTER, 9.0-14.0A	A/R
-	111627	MOTOR STARTER, 2.5-4.0A	A/R
5	114512	TERMINAL SINGLE, ST 2.5, GRAY	6
6	114514	TERMINAL SINGLE, ST 2.5, WHITE	9
7	114515	TERMINAL SINGLE, GROUND, GREEN ST 2.5 PE	4
8	114516	END COVER, SIGNAL TERMINAL D-ST 2.5	1
9	114517	TERMINAL DOUBLE, STTB 2.5	4
10	114518	END COVER, DOUBLE TERMINAL D-STTB 2.5	1
11	114524	BRIDGE, 3POLE FBS 3-5	5
12	114823	BRIDGE, 4POLE FBS 4-5	1
13	116888	SCHNEIDER PLC, TM21CE24R	1
14	116891	SCHNEIDER THERMISTOR MODULE, TM3T18	1
15	116892	DETERGENT SIGNAL CONDITIONER	1
16	338853	CABINET, INNER CONTROL PANEL	1
17	111036	SOCKET, RELAY	2
18	111068	RELAY, 2PDT, 10A 120VAC	2
19	115607	POWER SUPPLY, SLIM 24VDC, 30W, PSSR-SC24	1
20	114523	BRIDGE, 2POLE FBS 2.5	1
21	111153	FUSE BLOCK, DIN RAIL 600V 30A	3
22	112484	FUSE, LPCC-1.5 A TIME DELAY	3
23	116133	LABEL, SIGNAL 1.5 A	1
24	109064	XFRMR, INPUT 250VA, MV:120V	1
25	112424	BLOCK, FUSE KIT	1
26	112482	FUSE, LPCC-3.5 A 600V	2
27	111833	BLOCK, INPUT TERMINAL. 175A, 3-POLE, 600V	A/R
28	103310	LUG, GROUND WIRE	1

Door Lock (VHR Only)



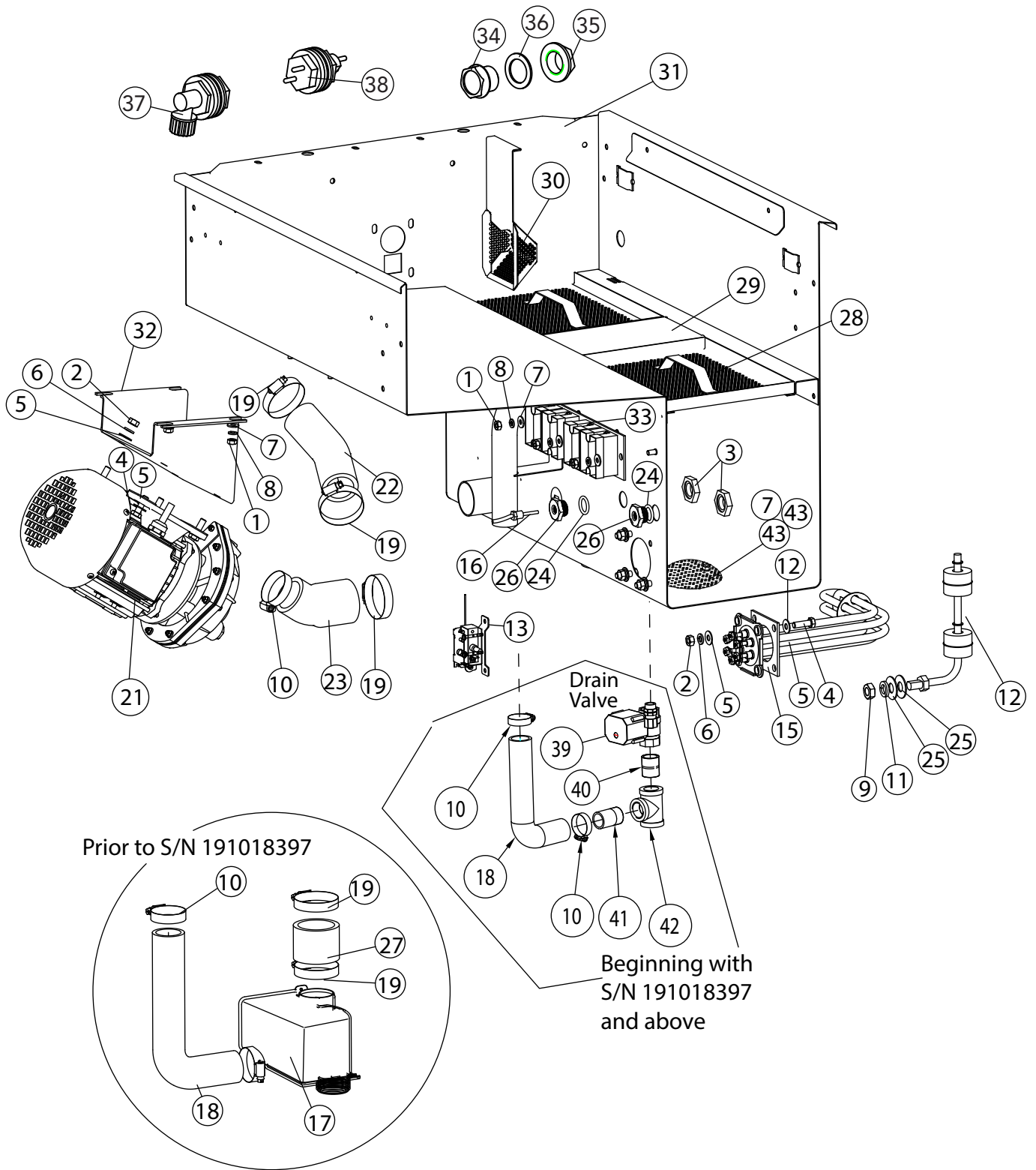
Item No.	Part No.	Description	Qty.
1	100097	SCREW, TRUSS HEAD 10-32 X 1/2" SST	8
2	100194	GRIP NUT, 10-32 SST	1
3	104882	WASHER, FLAT	3
4	104985	NUT, PLAIN, 10-32 SST	1
5	106035	COTTER PIN 3/32 X 1"	2
6	107033	WASHER, FLAT	1
7	107966	GRIP NUT, 10-32 SST W/NYLON INSERT	9
8	114366	SCREW, PAN HEAD PHILLIPS 10-32 X 1-3/8" SST	2
9	116685	SOLENOID 115V 60 HZ, DOOR INTERLOCK	1
10	115509	SPRING, EXTENSION, DOOR INTERLOCK	1
11	116687	SPRING, COMPRESSION, DOOR INTERLOCK	1
12	116688	BUSHING, SNAP-IN, SMOOTH BORE 1/2" DIA.	2
13	116933	BUSHING, LIFT ARM	1
14	207585	ROD, DOOR INTERLOCK	1
15	338086	BRACKET, LOCK ROD SUPPORT	1
16	338087	PLATE, ROD ACTUATOR	1
17	338768	LOCK, BASE BRACKET	1
18	338769	LOCK, TOP COVER	1

Chemical Dispensing Pumps



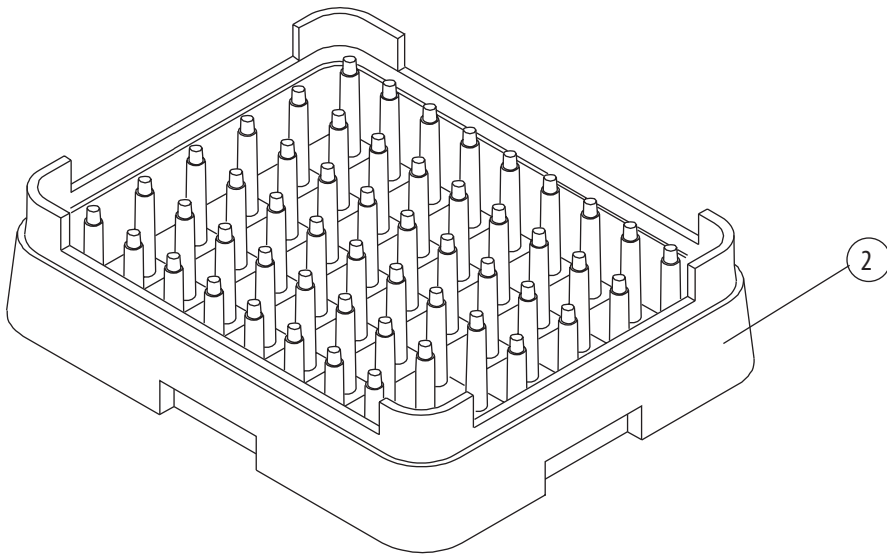
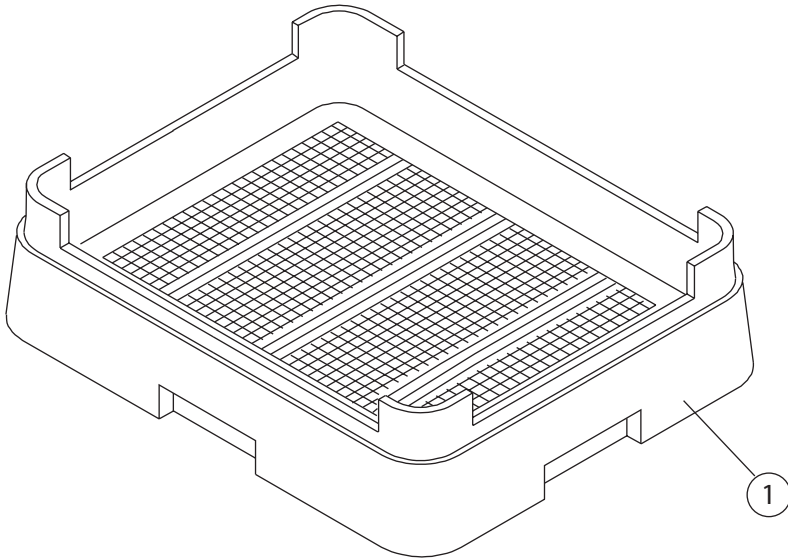
Item No.	Part No.	Description	Qty.
1	104883	SCREW, ROUND HEAD 6-32 X 3/8" SST	4
2	114202	TUBE, SANTOPRENE, TPE6ON 3/16" X 3/8" X 9" LG.	2
3	114203	HEAD, PUMP PERISTALTIC ASSY. KIT, WITH ROLLERS	2
4	114898	TRANSFORMER, 120/24VAC, 50/60 HZ, 20VA	1
5	116688	BUSHING, SNAP-IN SMOOTH BORE 1/2" DIA.	1
6	116979	HOSE BARB, 1/4" TO 1/4" POLYETHYLENE	2
7	339065	BRACKET, TWIN DETERGENT PUMP MOUNT	1
8	0510870-1	GEARMOTOR, 108 RPM, 115VAC DETERGENT 220 ML/MIN	1
9	0510872-1	GEARMOTOR, 14 RPM, 115VAC, RINSE-AID 10 ML/MIN	1

Wash Tank



Item No.	Part No.	Description	Qty.
1	100003	NUT, PLAIN 1/4-20 SST	7
2	100154	NUT, PLAIN 5/16" SST	8
3	100547	LOCKNUT, 1/2" NPT SST FORGED	2
4	100740	BOLT, HEX HEAD 5/16-18 X 1" SST	8
5	102376	WASHER, FLAT 5/16" SST	16
6	106013	WASHER, LOCK 5/16" SPLIT SST	8
7	106026	WASHER, FLAT 1/4" SST	7
8	106482	WASHER, LOCK 1/4" SPLIT SST	7
9	107089	NUT, JAM 1/2-13 SST	1
10	107340	CLAMP, HOSE M28 W/CS SCREW	3
11	107589	WASHER, LOCK 1/2" SPLIT SST	1
12	108345	GASKET, HEATER, 3" X 3" X 1/8" - 2-HOLE	1
13	110561	THERMOSTAT, FIXED HIGH LIMIT 240°F 1/2"NPT	1
14	113291	FLOAT SWITCH	1
15	114178	HEATER, 5.2KW 208-240/1-3 90° TANK	1
15a	114179	HEATER, 5.2KW, 480V/60/3 90° TANK	1
16	114435	THERMISTOR, 10KΩ, 36" LEAD	1
17	114471	VALVE, ELECTRIC DRAIN, NC, 115VAC, W/COVER	1
18	114472	HOSE, OVERFLOW, 90°	1
19	114720	CLAMP, HOSE M36 W/CS SCREW	5
20	116940	GASKET, STANDPIPE	1
21	115143	1HP PUMP/2HP MOTOR ASSY (SEE PAGE 3 FOR OTHERS)	1
22	115159	HOSE, PUMP DISCHARGE	1
23	115425	HOSE, PUMP SUCTION	1
24	115489	O-RING	2
25	115490	WASHER, FLAT	2
26	115530	ADAPTER, THERMOMETER DIGITAL	2
27	205990	HOSE 2" ID X 1-7/8" LG	1
28	305164	SCREEN, WELDMENT, 10-3/8"	2
29	332544	SUPPORT, FILLER SCREEN	1
30	333021	SCREEN, SUCTION	1
31	339534	TANK, WELDMENT	1
32	338901	BRACKET, PUMP MOUTING	1
33	115648	RELAY, SOLID STATE 90A	4
34	108418	PLUG, 1/2" NPT PLASTIC	1
35	108417	NUT, 1/2" NPT PLASTIC	1
36	109034	GASKET, 1/2" PLUG, FIBER WASHER	1
37	116780	FITTING, KNIGHT DETERGENT INJECTOR	1
38	116785	PROBE, CHEMICAL P120S, KNIGHT #7005190	1
39	117014	VALVE BALL, 1" NPT 110-230V ELECTRIC NC	1
40	100964	NIPPLE, CLOSE 1" NPT SST	1
41	116431	NIPPLE TOE, 1" X 2" SST	1
42	102530	TEE, 1" NPT SST	1
43	304816	SCREEN, DRAIN 6" DIA.	1
44	107967	GRIP NUT, 1/4-20 SST W/NYLON INSERT	1

Dish Racks



Item No.	Part No.	Description	Qty.
1	101273	DISH RACK, FLAT-BOTTOM	A/R
2	101285	DISH RACK, PEG	A/R
-	114356	RACK, SHEET PAN (Not Shown)	A/R