

# Hoshizaki America, Inc.

Ice and Water Dispenser

Model  
DM-200B



“A Superior Degree  
of Reliability”

[www.hoshizaki.com](http://www.hoshizaki.com)

## INSTRUCTION MANUAL



Issued: 8-8-2006

## **IMPORTANT**

Only qualified service technicians should attempt to install, service or maintain this product. No installation, service or maintenance should be undertaken until the technician has thoroughly read this Instruction Manual. Likewise, the owner/manager should not proceed to operate this product until the installer has instructed them on its proper operation.

HOSHIZAKI provides this manual primarily to assist qualified service technicians in the installation, maintenance and service of this product.

Should the reader have any questions or concerns which have not been satisfactorily addressed, please call, write or send an e-mail message to the HOSHIZAKI Technical Support Department for assistance.

HOSHIZAKI AMERICA, INC.  
618 Highway 74 South  
Peachtree City, GA 30269

Attn: HOSHIZAKI Technical Support Department

Phone: 1-800-233-1940 Technical Service  
(770) 487-2331

Fax: 1-800-843-1056  
(770) 487-3360

E-mail: techsupport@hoshizaki.com

Web Site: [www.hoshizaki.com](http://www.hoshizaki.com)

**NOTE:** To expedite assistance, all correspondence/communication **MUST** include the following information:

- Model Number
- Serial Number
- Complete and detailed explanation of the problem

- Please review this manual. It should be read carefully before this product is installed and operated. Only qualified service technicians should install, service and maintain this product. This manual should be made available to the technician prior to installation, maintenance or service.
- Keep this manual with this product for later reference.

## CONTENTS

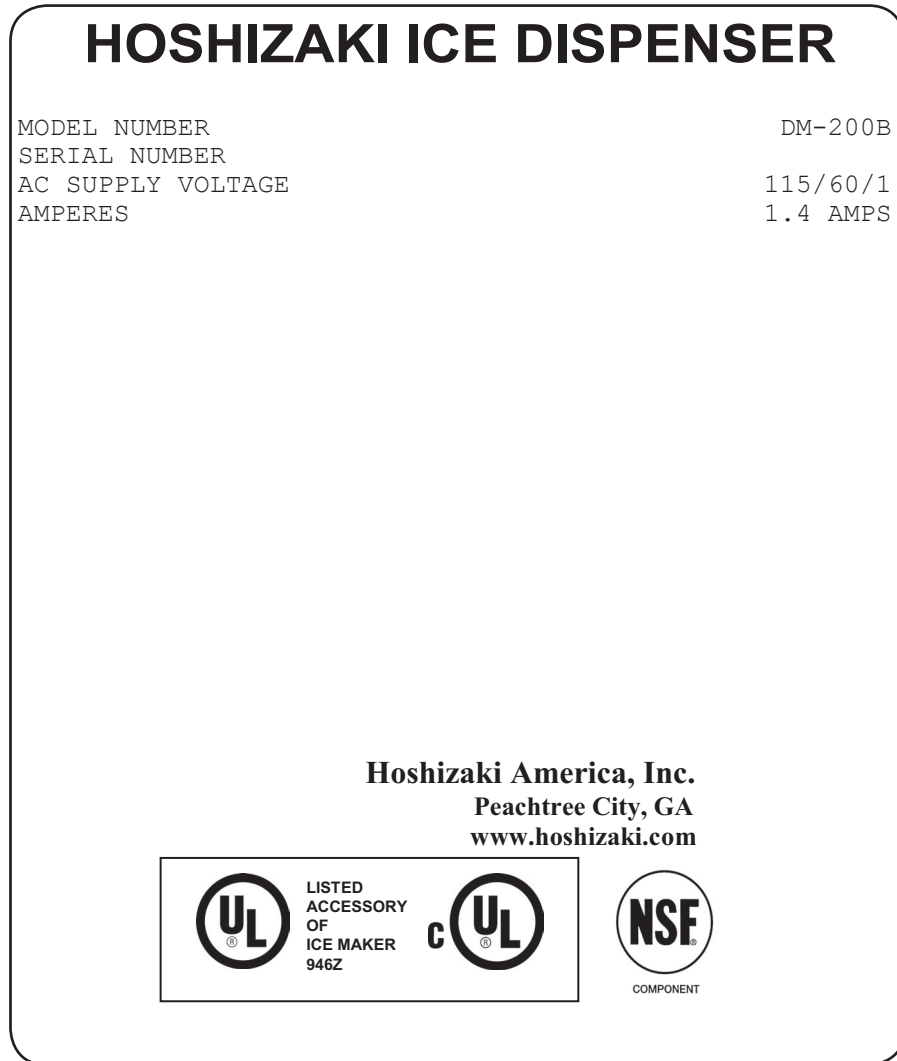
I. Specifications.....	4
A. Nameplate Rating .....	4
1. DM-200B .....	4
B. Dimensions/Connections .....	5
1. DM-200B .....	5
II. Installation and Operating Instructions .....	6
A. Checks Before Installation .....	6
B. Location.....	6
C. Setup.....	7
D. Electrical Connection .....	7
E. Water Supply and Drain Connections .....	8
F. Final Checklist.....	9
G. Startup.....	9
III. Cleaning and Maintenance Instructions.....	10
A. Cleaning.....	10
1. Cleaning Procedure.....	10
2. Sanitizing Procedure - Following Cleaning Procedure .....	10
B. Maintenance – Exterior Panels .....	12
C. Preparing the Dispenser for Long Storage.....	12

---

## I. Specifications

### A. Nameplate Rating

#### 1. DM-200B



See the nameplate for electrical specifications. This nameplate is located on the upper right hand side of the rear panel.

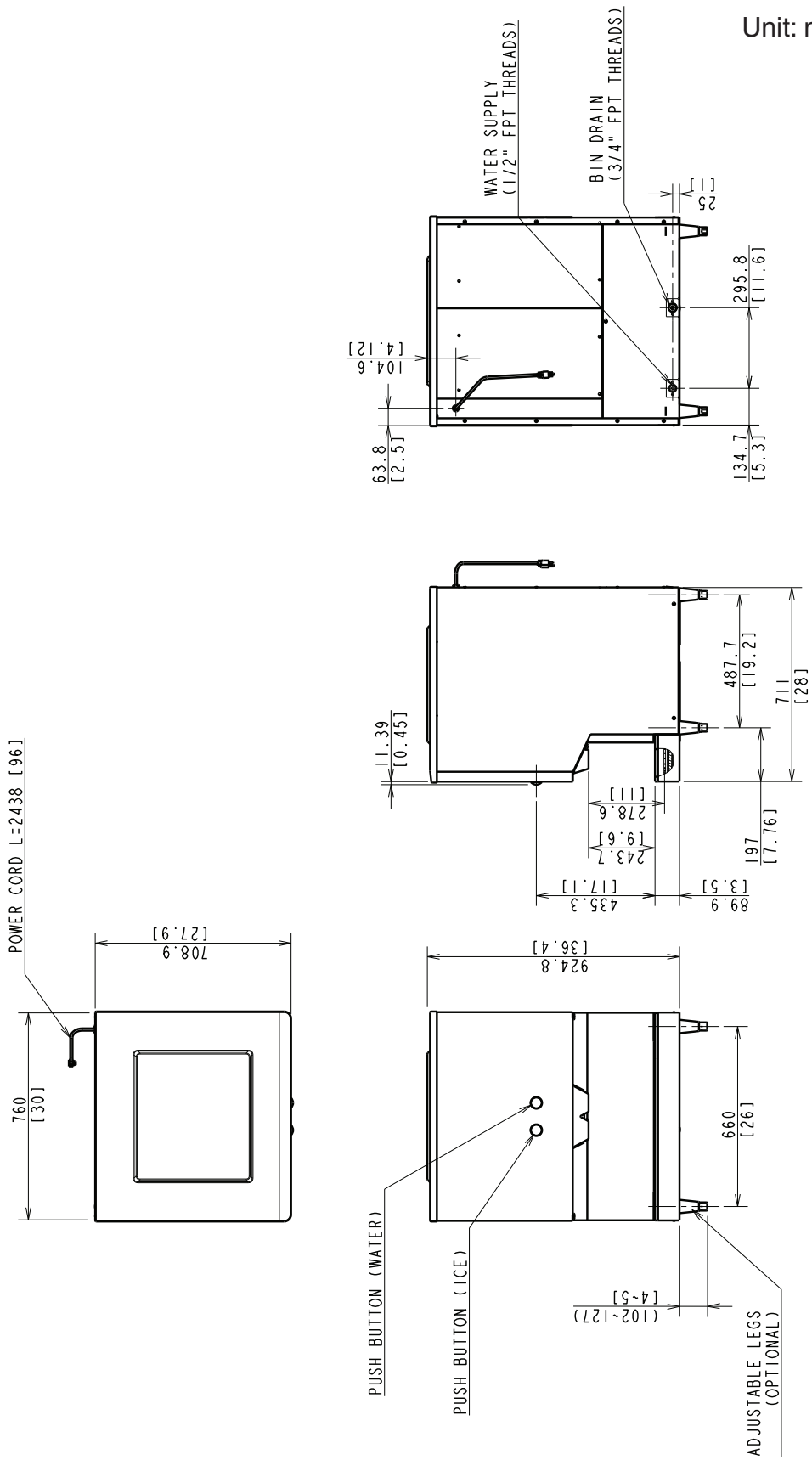
Since this nameplate is located on the rear panel of the dispenser, it cannot be read when the back of the dispenser is against a wall or against another piece of kitchen equipment. Therefore, the necessary electrical information is also on the rating label, which can be easily seen by removing only the front panel of the dispenser.

We reserve the right to make changes in specifications and design without prior notice.

## B. Dimensions/Connections

### 1. DM-200B

Unit: mm [inches]



---

## II. Installation and Operating Instructions

### A. Checks Before Installation

#### IMPORTANT

1. Remove the shipping carton and all tape and packing material to prevent possible damage to the unit.
2. Ensure all components, fasteners and thumbscrews are securely in place.

- Remove the package containing the accessories.
- Remove the protective plastic film from the panels. If the dispenser is exposed to the sun or to heat, remove the film after the dispenser cools.
- See the nameplate on the rear panel, and check that your voltage supplied corresponds with the voltage specified on the nameplate.

### B. Location

#### WARNING

This dispenser is not intended for outdoor use. Normal operating ambient temperature should be within +45°F to +100°F (+7°C to +38°C); Normal operating water temperature should be within +45°F to +90°F (+7°C to +32°C). Operation of the dispenser, for extended periods, outside of these normal temperature ranges may cause unsatisfactory results.

For best operating results:

- Place the dispenser in a flat and firm location.
- Dispenser should not be located next to ovens, grills or other high heat producing equipment.
- Locate the dispenser near a drain.
- Avoid locations where dripping is not allowed.
- Allow a minimum clearance of 24" (60 cm) above the dispenser for easy filling with ice.
- If the dispenser is to be permanently installed, allow a minimum clearance of 6" (15 cm) on the right side, for access to service the drive mechanism.

## C. Setup

### IMPORTANT

It is extremely important that the dispenser be leveled in both the left-to-right and front-to-rear directions. If it is not level, a reduced rate of ice flow may result.

- 1) Unpack the dispenser, and remove the shipping carton and all tape and packing material before operating the unit. Attach the four (4) (optional) adjustable legs to the bottom of the dispenser. The legs are adjustable from a minimum of 4 inches (102 mm) to a maximum of 5 inches (127 mm). Be careful not to damage the exterior panels when handling the dispenser.
- 2) Position the dispenser in the selected site. Clean and wipe the interior with a clean cloth.
- 3) Level the dispenser in both the left-to-right and the front-to-rear directions (when installed with or without legs).
- 4) When installing the unit without legs, the perimeter where the machine touches the counter should be sealed with silicone to prevent water from collecting under the dispenser. The right side panel should be removed prior to applying the silicone so that it can be easily removed later if drive mechanism inspection and/or service becomes necessary.

## D. Electrical Connection

### CAUTION

The GREEN ground wire in the factory-installed power cord is connected to a screw on the frame. If it becomes necessary to remove or replace the power cord, be sure to connect the power cord's ground wire to this screw upon reattachment.

This dispenser requires a proper electrical ground that meets the national and local electrical code requirements. Plug it into a 115 volt, 15 amp outlet with a ground connection (115V/15 Amp/60Hz). Refer to the nameplate for the proper electrical specifications.

## E. Water Supply and Drain Connections

See Fig. 1

- Water supply inlet is 1/2" female pipe thread (FPT).
- A water supply line shut-off valve and drain valve should be installed. A minimum of 1/4" OD copper tubing is recommended for the water supply line.
- Water supply pressure should be a minimum of 10 PSIG (0.7 bar) and a maximum of 113 PSIG (7.5 bar). If the pressure exceeds 113 PSIG (7.5 bar), the use of a pressure reducing valve is required.
- Drain outlet is 3/4" FPT.
- Drain line must have 1/4" fall per foot (2 cm per 1 m) on horizontal runs to get good flow. A vented tee connection is also required for proper flow.
- Drain line should not be piped directly to the sewer system. An air gap of a minimum of 2 vertical inches (5 cm) should be between the end of the drain pipe and the floor drain.
- This dispenser should be installed in accordance with applicable national, state and local regulations.
- A plumbing permit and services of a licensed plumber may be required in some areas.

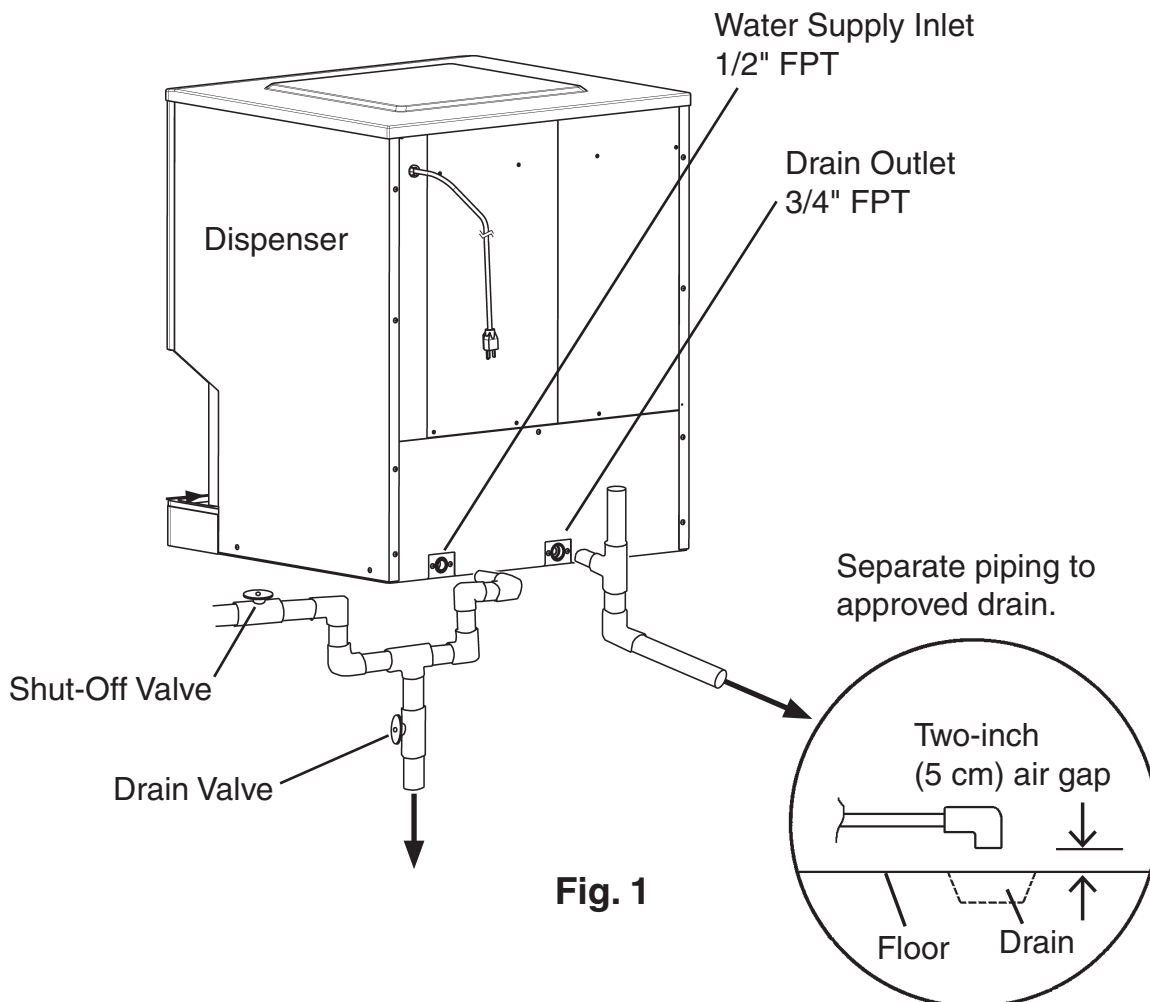


Fig. 1



## **F. Final Checklist**

- 1) Is the dispenser level?
- 2) Is the dispenser in a site where the ambient temperature is within +45°F to +100°F (+7°C to +38°C) and the water temperature within +45°F to +90°F (+7°C to +32°C) all year?
- 3) Is there at least 24" (60 cm) clearance above the dispenser for easy filling with ice? If the unit has been permanently installed, has at least 6" (15 cm) clearance been made available on the right side for servicing the drive mechanism?
- 4) Have shipping carton and all tape and packing material been removed from the dispenser?
- 5) Are all components, fasteners and thumbscrews securely in place?
- 6) Have all electrical and piping connections been made?
- 7) Has the power supply voltage been checked or tested against the nameplate rating? Has the dispenser been plugged into an outlet with a grounded connection?
- 8) Are the water supply line shut-off valve and drain valve installed? Has the water pressure been checked to ensure a minimum of 10 PSIG (0.7 bar) and a maximum of 113 PSIG (7.5 bar)?
- 9) Has the ice dispensing bin been cleaned and wiped with a clean cloth?
- 10) Has the end user been given the instruction manual, and instructed on how to operate the dispenser and the importance of the recommended periodic maintenance?
- 11) Has the end user been given the name and telephone number of an authorized service agent?
- 12) Has the warranty card been filled out and forwarded to the factory for warranty registration?

## **G. Startup**

- 1) Remove the top and use a clean, sanitary container for filling the ice dispenser with ice. Reinstall the top.
- 2) Open the water supply line shut-off valve.
- 3) Verify proper operation by pressing the buttons and observing ice cube and water dispensing.

---

### III. Cleaning and Maintenance Instructions

#### IMPORTANT

Ensure all components, fasteners and thumbscrews are securely in place after any maintenance or cleaning is done to the equipment.

#### A. Cleaning

#### WARNING

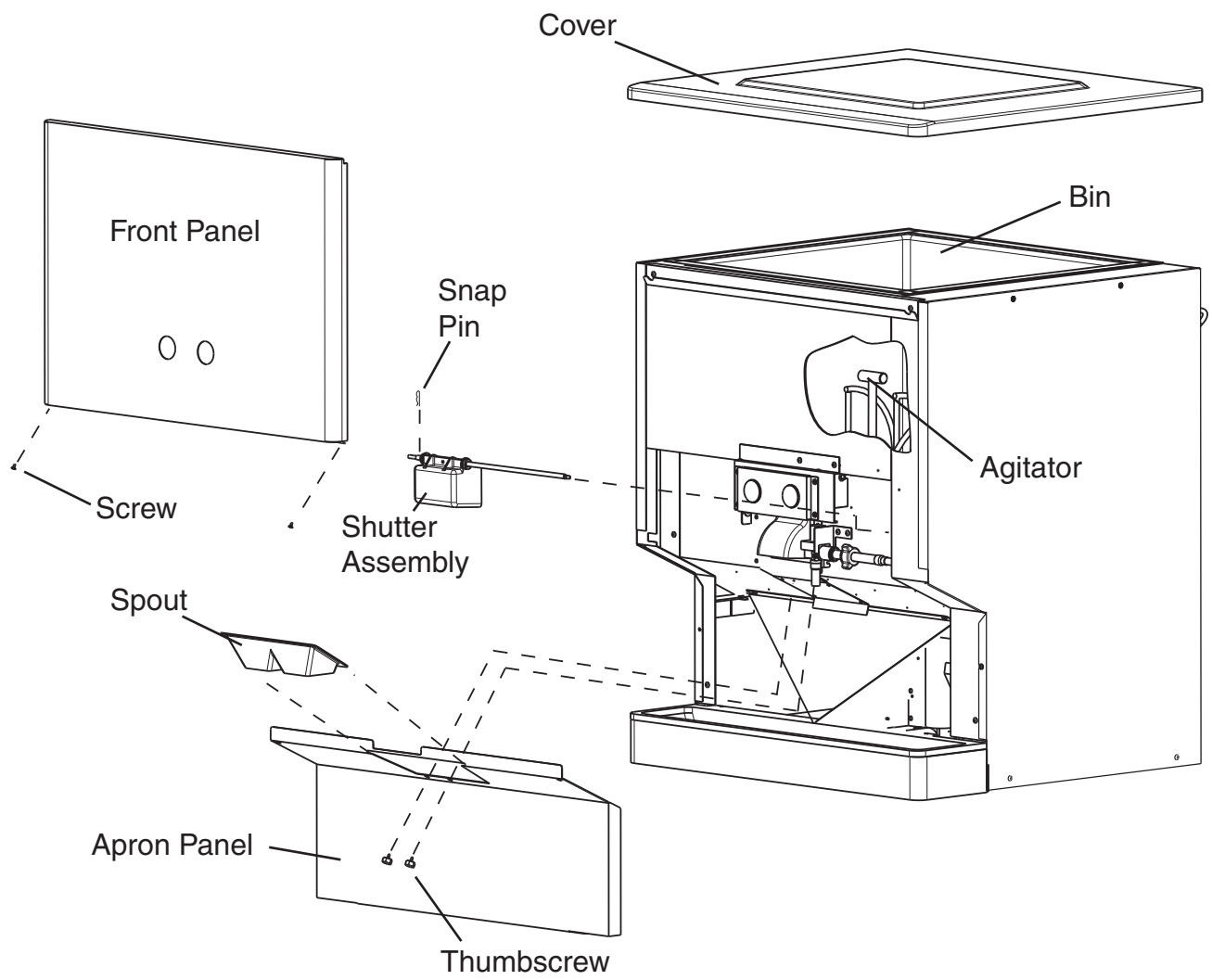
1. Hoshizaki recommends cleaning this unit at least once a year. More frequent cleaning, however, may be required in some existing water conditions.
2. To promote safety, always unplug the unit from the electrical outlet before any cleaning and maintenance procedures are started.
3. To prevent injury to individuals and damage to the dispenser, do not use ammonia type cleaners.
4. Always wear liquid-proof gloves to prevent the cleaning and sanitizing solutions from coming into contact with skin.
5. For safety and maximum effectiveness, use cleaning and sanitizing solutions immediately after dilution.

#### 1. Cleaning Procedure

- 1) Remove all ice from the ice dispensing bin.
- 2) Unplug the unit from the electrical outlet.
- 3) Remove the cover.
- 4) Remove the front panel. See Fig. 2.
- 5) Loosen the thumbscrews securing the apron panel and spout, then slide the spout out from the front. Next, remove the thumbscrews and the apron panel.
- 6) Remove the snap pin securing the shutter assembly. Slide the shutter shaft to the left, pull out the right side and slide out.
- 7) Dilute 5 fl. oz. (148 ml) of Hoshizaki "Scale Away" with 1 gallon (3.8 l) of warm water.
- 8) Scrub the cover, spout, apron panel, shutter assembly, agitator, and the inside of the bin using a nylon scouring pad, brushes and cleaning solution.
- 9) Rinse all parts from step 8 thoroughly with water.

#### 2. Sanitizing Procedure - Following Cleaning Procedure

- 1) Dilute approximately 0.5 fl. oz. (15 ml or 1 tbs) of a 5.25% sodium hypochlorite solution (chlorine bleach) with 1 gallon (3.8 l) of warm water.
- 2) Soak the removed parts from step 8 above in a clean container containing the sanitizing solution. After allowing the parts to soak for 10 minutes, wash them with the solution. Also wash the bin and agitator with the solution.
- 3) Rinse all parts from step 2 thoroughly with water.
- 4) Reassemble the removed parts in the reverse order of removal.
- 5) Plug the unit back in and check for proper operation.



**Fig. 2**

## B. Maintenance – Exterior Panels

To prevent corrosion, wipe the exterior occasionally with a clean and soft cloth. Use a damp cloth containing a neutral cleaner to wipe off oil or dirt build up.

## C. Preparing the Dispenser for Long Storage

### CAUTION

When shutting off the dispenser for an extended time, drain out all water from the water line and remove the ice from the dispensing bin. The bin should be cleaned and dried. Drain the water supply line using air or carbon dioxide to prevent damage to the line at sub-freezing temperatures.

When the dispenser is not used for two or three days, it is sufficient to only remove the ice from the ice dispensing bin and unplug the unit, unless the dispenser will be at sub-freezing temperatures.

- 1) Remove all ice from the ice dispensing bin.
- 2) Unplug the unit from the outlet.
- 3) Clean and dry the dispensing bin.
- 4) Close the water supply line shut-off valve and open the water supply line drain valve.  
See Fig. 1.
- 5) Allow the line to drain by gravity.
- 6) Attach compressed air or carbon dioxide supply to the water supply line drain valve.
- 7) Blow the water supply line out using compressed air or carbon dioxide.
- 8) Close the water supply line drain valve.

**HOSHIZAKI AMERICA, INC.**

---

618 Hwy. 74 S., Peachtree City, GA 30269 USA | TEL (770) 487-2331 | FAX (770) 487-3360 | [www.hoshizaki.com](http://www.hoshizaki.com) | 91A5DA10A