

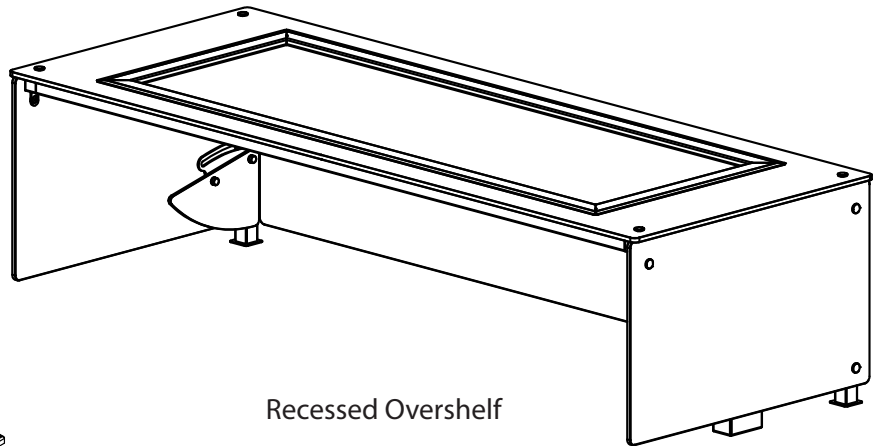


Your Solutions Partner

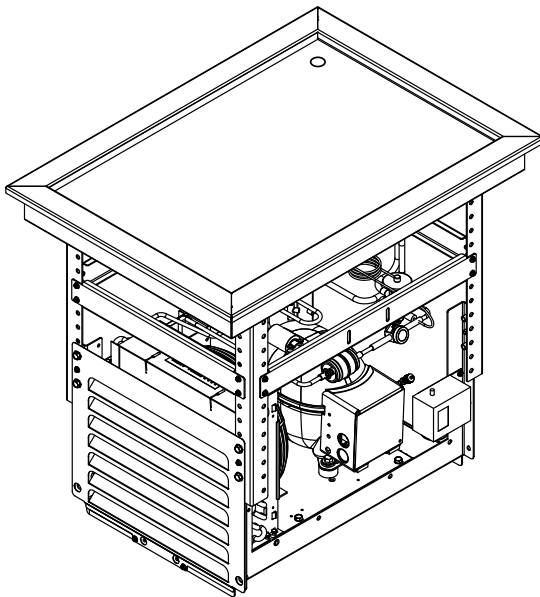
Illustrated Parts List

Recessed Hot Frost

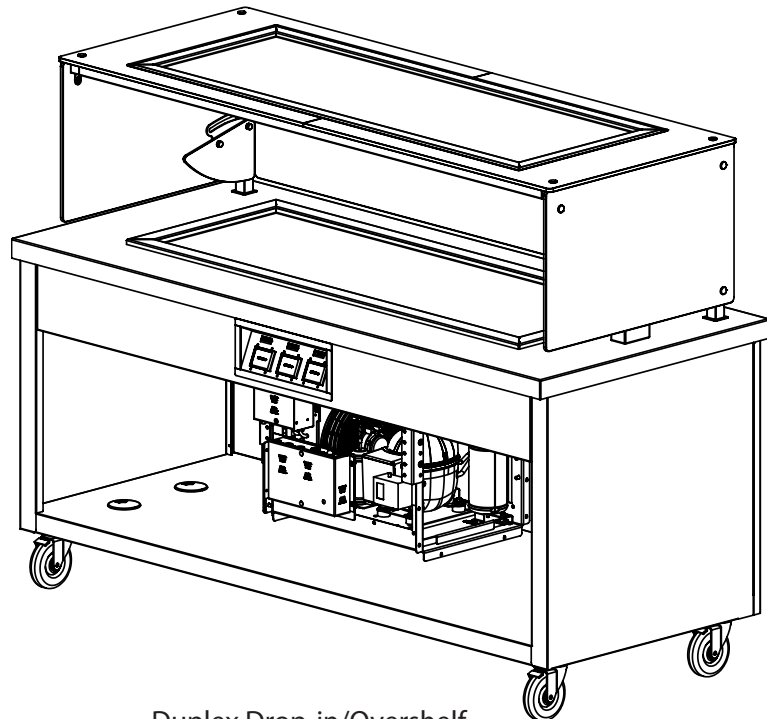
Type:
Recessed Drop-In
Recessed Overshelf
Duplex Drop-In/Overshelf



Recessed Overshelf



Recessed Drop-In



Duplex Drop-in/Overshelf

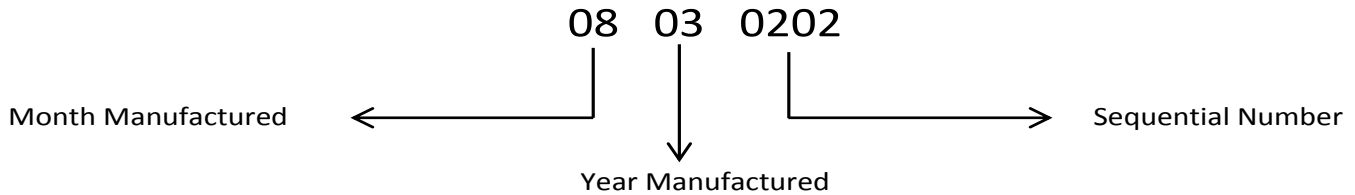


CAUTION: Please read this manual completely before attempting to install, operate or service this equipment

This manual is Copyright © 2022 Duke Manufacturing Co. All rights reserved. Reproduction without written permission is prohibited. Duke is a registered trademark of the Duke Manufacturing Co.

How to Determine Manufacture Date from Duke Equipment Serial Numbers

All units currently manufactured in St. Louis and Sedalia, Missouri (After 2/1/2013):



(Example: 08030202 = Indicates the unit was manufactured in August of 2003)

Units Manufactured in St. Louis, Missouri (Before 2/1/2013):

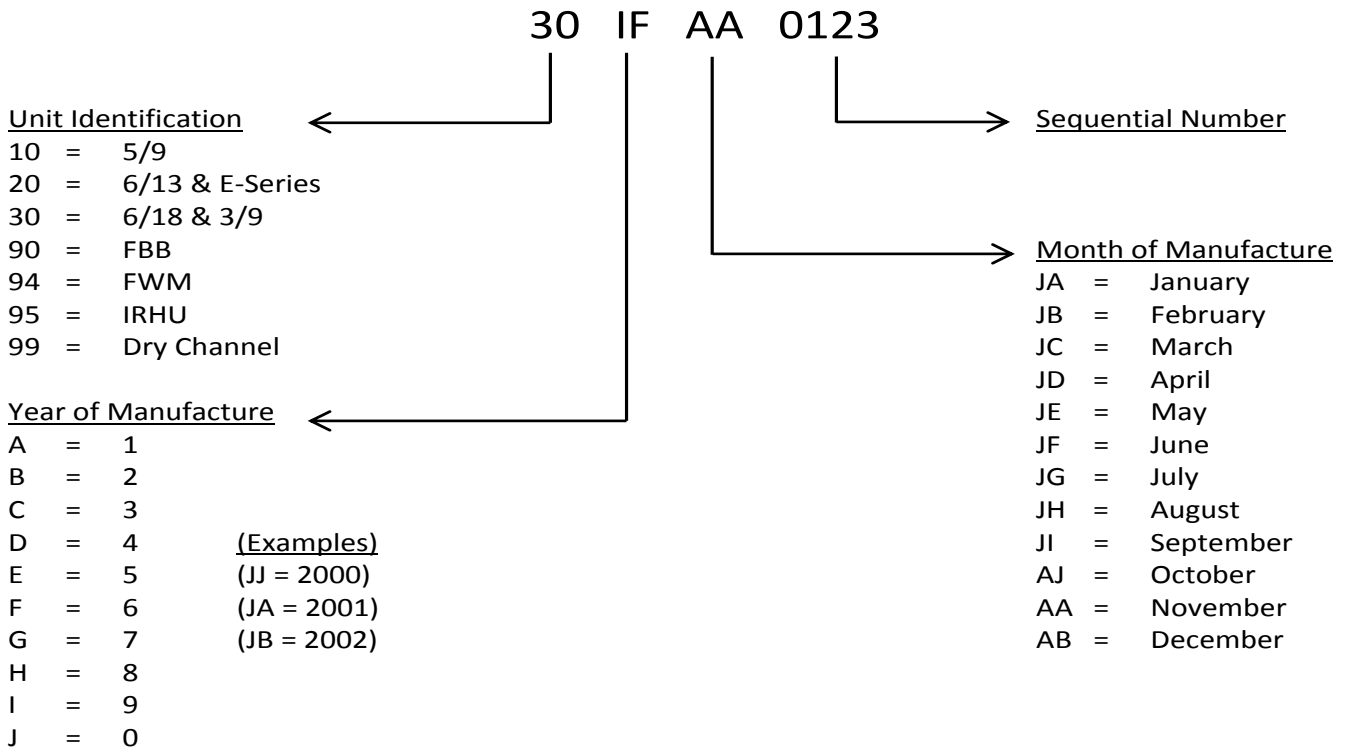


TABLE OF CONTENTS

Model Category.....4

Refrigeration.....5-8

Controls9-25

Heaters.....26

Harnesses.....27-31

Refrigeration Flow Diagram.....32

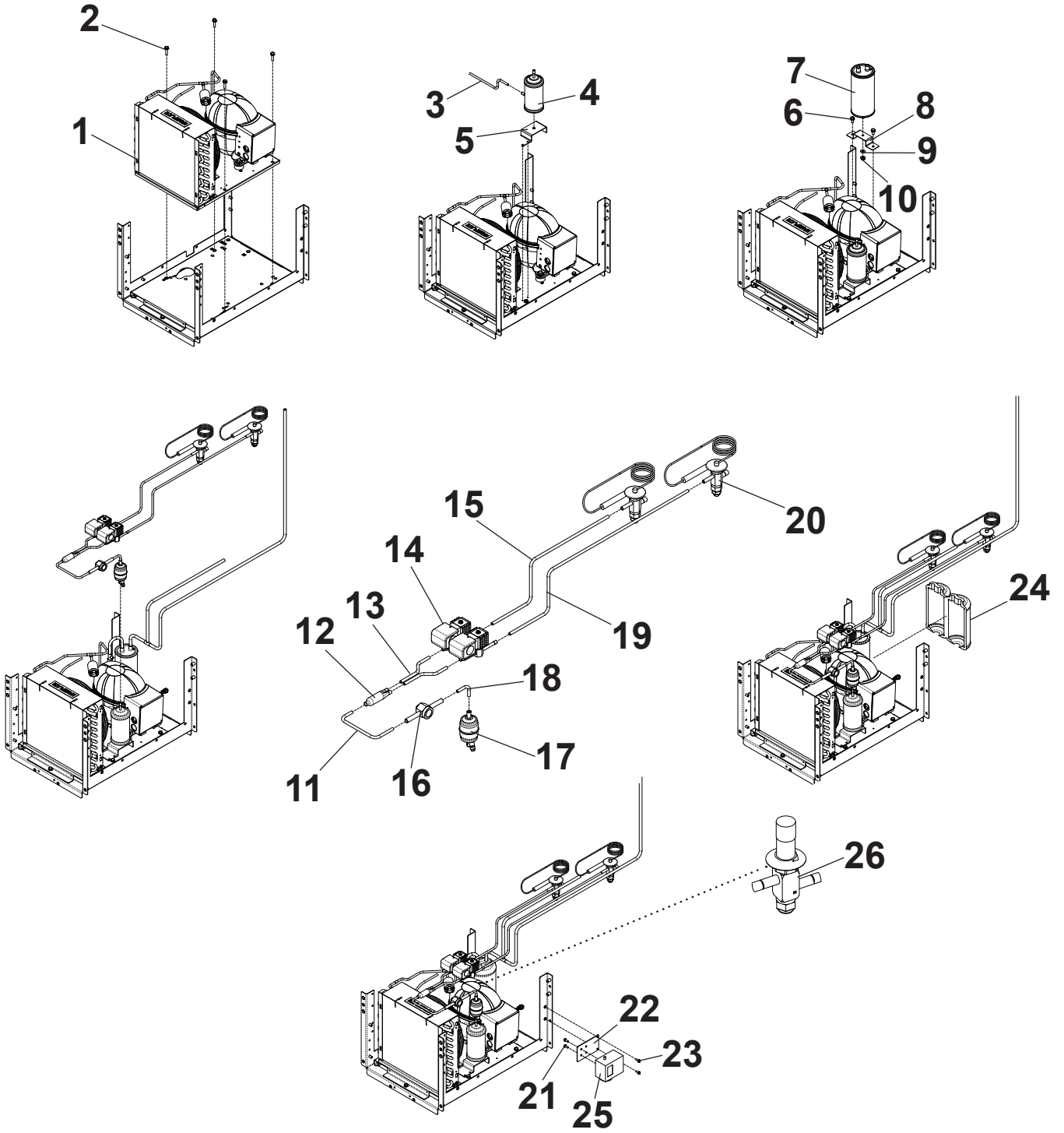
Wire Schematics.....33-49

RECESSED HOT FROST - MODEL CATEGORY

HOT/COLD SINGLE ZONE
Recessed Hot Frost (Slimline)
Models: RHF1-SL, RHF2-SL, RHF3-SL
Recessed Hot Frost Top (Standard Body)
Models: RHF2-SB, RHF3-SB
Hot Frost Overshelf
Models: HFO1-SL HFO2-SL
HOT/COLD/DUAL ZONE
Duplex Evap, Recessed Hotfrost, Hotfrost Overshelf
Models: DE-RHF1-SL-HFO1-SL, DE-RHF2-SL-HFO2-SL, DE-RHF2-SB-HFO2-SL, DE-RHF2-SB-HFO1-SL
COLD ONLY/SINGLE ZONE
Recessed Frost Top (Slimline & Standard Body)
MODELS: RFT1-SL, RFT2-SL, RFT3-SL, RFT2-SB, RFT3-SB, FTO1-SL FTO2-SL
COLD ONLY/DUAL ZONE
Duplex Evap, Recessed Frost Top, Frost Top Overshelf
Models: DE-RFT1-SB-FTO1-SL, DE-RFT2-SL-FTO2-SL, DE-RFT2-SB-FTO2-SL, DE-RFT2-SB-FTO1-SL
HOT ONLY
Recessed Hot Top
Models: RHT1-SL, RHT2-SL, RHT3-SL, RHT2-SB, RHT3-SB
Hot Top Overshelf
Models: HTO1-SL, HTO2-SL

RECESSED HOT FROST REFRIGERATION COMPONENTS GRAPHICS

FOR ALL MODELS WITH REFRIGERATION



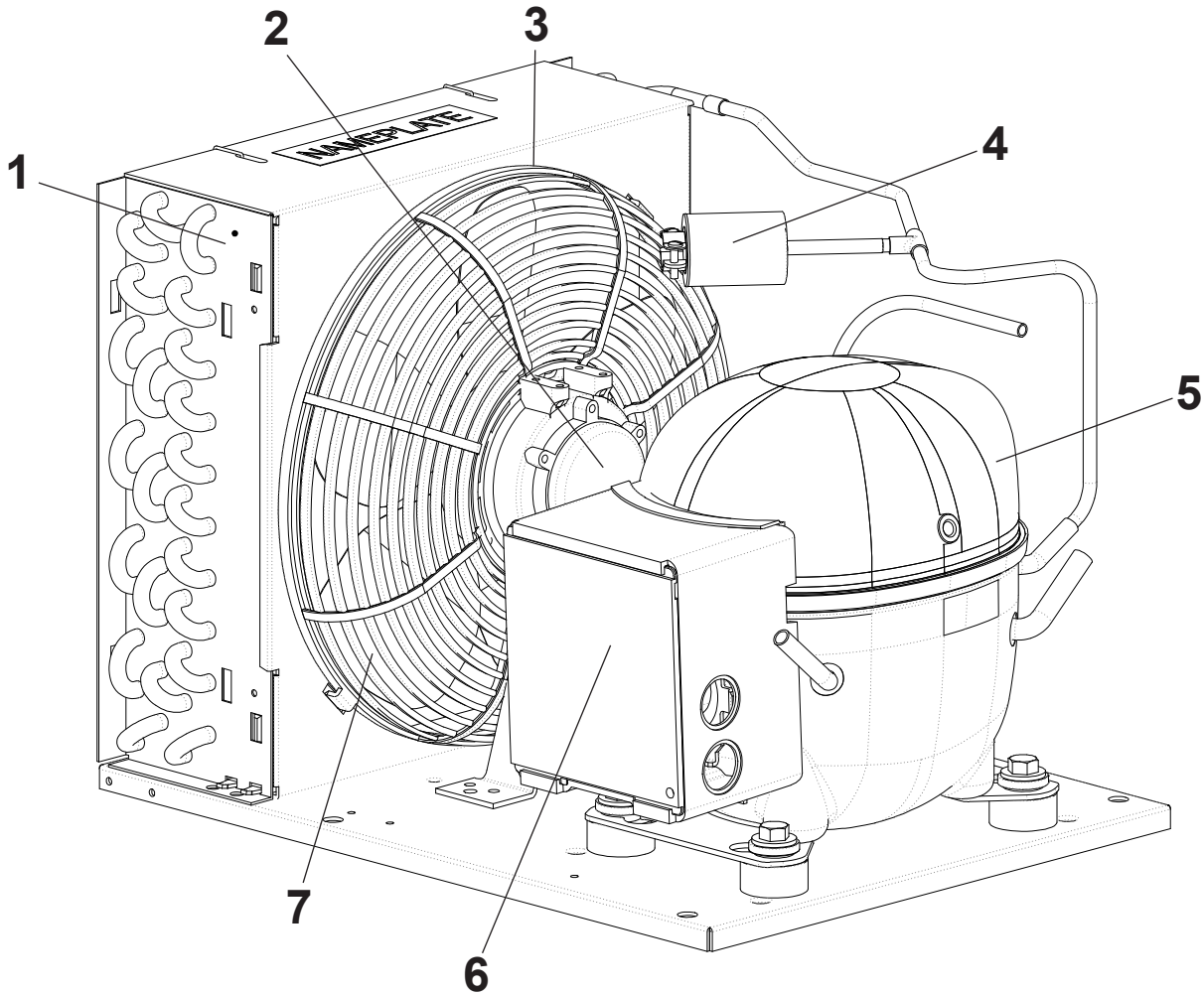
RECESSED HOT FROST REFRIGERATION COMPONENTS PART

FOR ALL MODELS WITH REFRIGERATION

Item	Part #	Description
1	516823	Unit, Cond. ,(74/86)120v 60hz .1930btu/Hr M6zl-H054-1aa-141
	516820	Unit, Cond. ,(36/48/60)120v 60hz .1300btu/Hr M6zl-H032-1aa-141
2	213029	Screw,1/4-20x1 Hex Hd Tr3
3	1124-2087	Tube, Copper, Recessed Hot Frost, Dual Zone, Condenser To Receiver
4	226052	Receiver, Parker P# Rt306v-Ts
5	1124-2042	Bracket, Mounting, Receiver, Emerson
6	213023	Screw,1/4-20x1/2" Trd Frm
7	226117	Accumulator, Sporlan 3" Dia. 3/8" Fittings 1bs
8	1078-0015	Bracket, N7 Cp Accum Mount
9	213197	Washer, .625 Od X .281 Id .050 Thick, Ss,For#155045
10	213042	Nut,1/4-20 Serrated Zinc
11	1124-2044	Tube, Copper, Recessed Hot Frost, Dual Zone, Sight Glass To Distributor
12	226832	Distributor, #090142-00
13	1075-0145	1/4" Copper Tube, To Solenoid Valve
14	216553	Solenoid,Refrig W/Coil 120v
15	1124-2084	Tube, Copper, Recessed Hot Frost, Dual Zone, Lower Solenoid To Txv
16	216415	Glass,Sight Sa-12s Std#7
17	226831	Filter Drier, W/Pressure Tap C-032-S-T 1/4 Copper Conn
18	1124-2081	Tube, Copper, Recessed Hot Frost, 90 Degree Elbow
19	1124-2085	Tube, Copper, Recessed Hot Frost, Dual Zone, Upper Solenoid To Txv
20	526316-6	Valve, Txv Sporlan Efd-1/5-Z 2x3 Odf 30" N7 Cp 2-Sec
21	213014	Screw,10-24 Slit Hex Wash
22	1124-2139	Plate Mtg Rancho Crtl
23	223305	Screw 1/4 - 20 X 3/8 Tpf-M
24	526805	Insulation, Accumulator 3" Dia. 3/8" Fittings
25	216888	Switch, Pressure Control
26	226045	Valve, Sporlan Cro-4-07/75 3x3 Odf

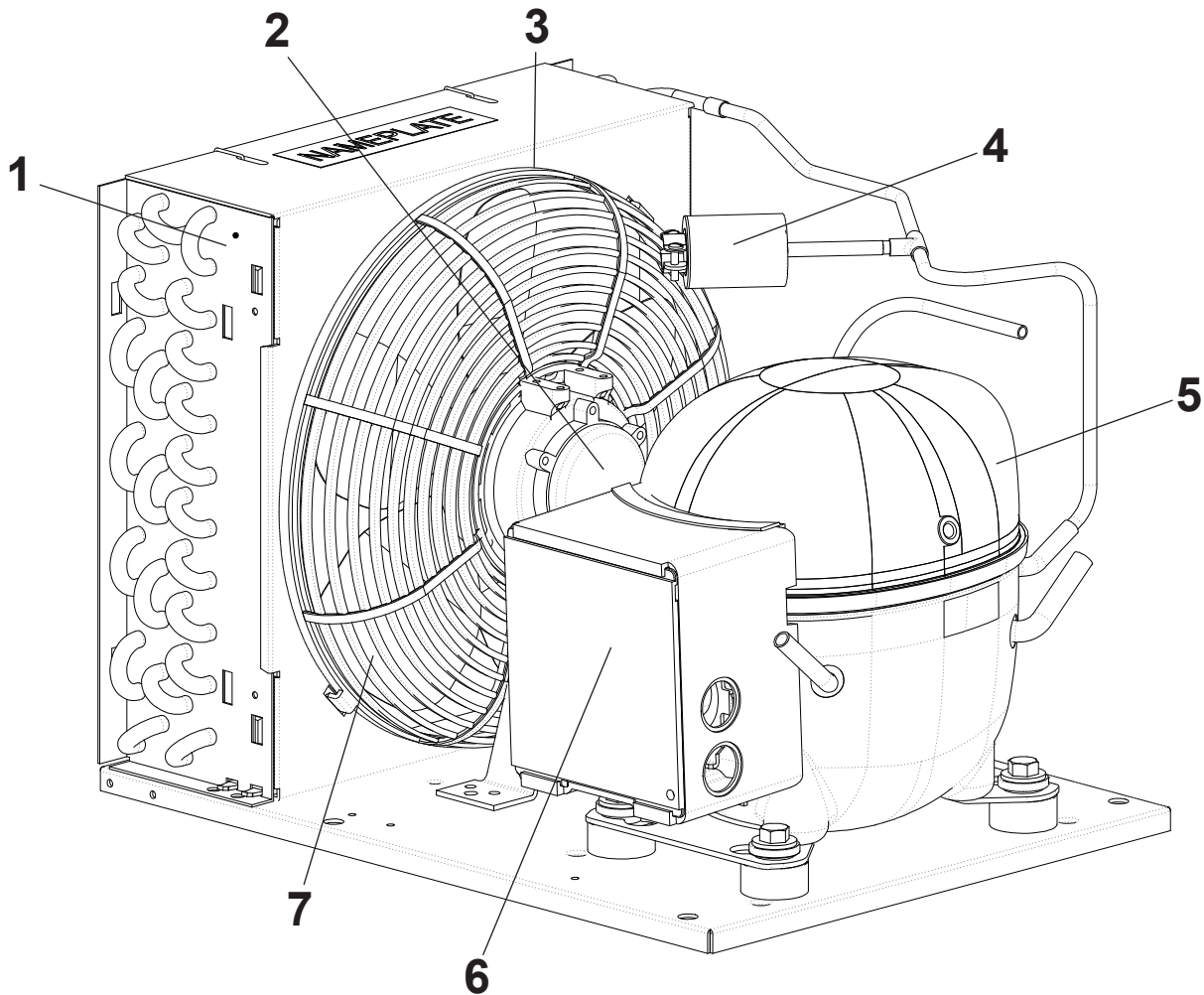
RECESSED HOT FROST CONDENSING UNIT GRAPHICS/PART #'S

SHOWN BELOW 516823



Item	Part #	Description	Qty
1	227852	Coil Condenser 066-0337-05,	1
2	217851	Assembly,Fan Motor/Brkt 050-0300-00	1
3	227853	Guard Cond. Fan Use #527863	1
4	226407	Control,High Press.cutout 440 Cutout/325cutin	1
5	227854	Compressor Afe17c4e-laa-901	1
6	227861	Compressor, Start Cap 914-0053-04, For 516803,516823	1
	227857	Relay 940-C411-89, For 516803, 516823	1
	227859	Protector 971-0561-48, For 516803, 516823	1
7	217819	Blade,Fan #083-0130-00 74-86 Trichn	1

RECESSED HOT FROST CONDENSING UNIT GRAPHICS/PART #'S SHOWN BELOW 516820

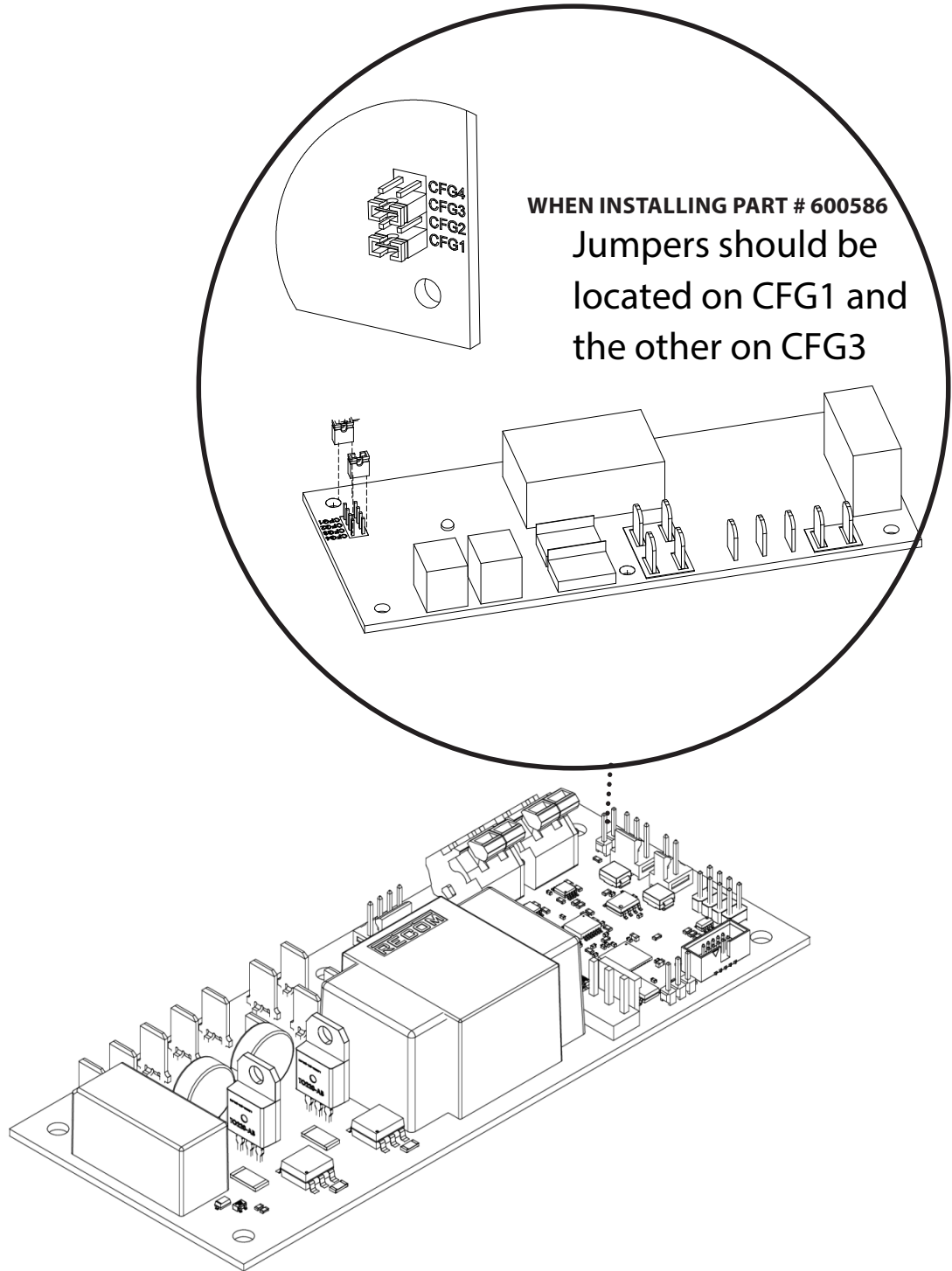


Item	Part #	Description	Qty
1	227852	Coil Condenser 066-0337-05,	1
2	217851	Assembly,Fan Motor/Brkt 050-0300-00	1
3	227853	Guard Cond. Fan Use #527863	1
4	226407	Control,High Press.cutout 440 Cutout/325cutin	1
5	527844	Compressor,1/3hp 120v 60hz	1
6	227855	Start Cap Compressor 914-0053-00, For 516800, 516820	1
	227856	Relay 940-C411-72, For 516800, 516820	1
	227858	Protector 971-0554-28, For 516800, 516820	1
7	217819	Blade,Fan #083-0130-00 74-86 Trichn	1

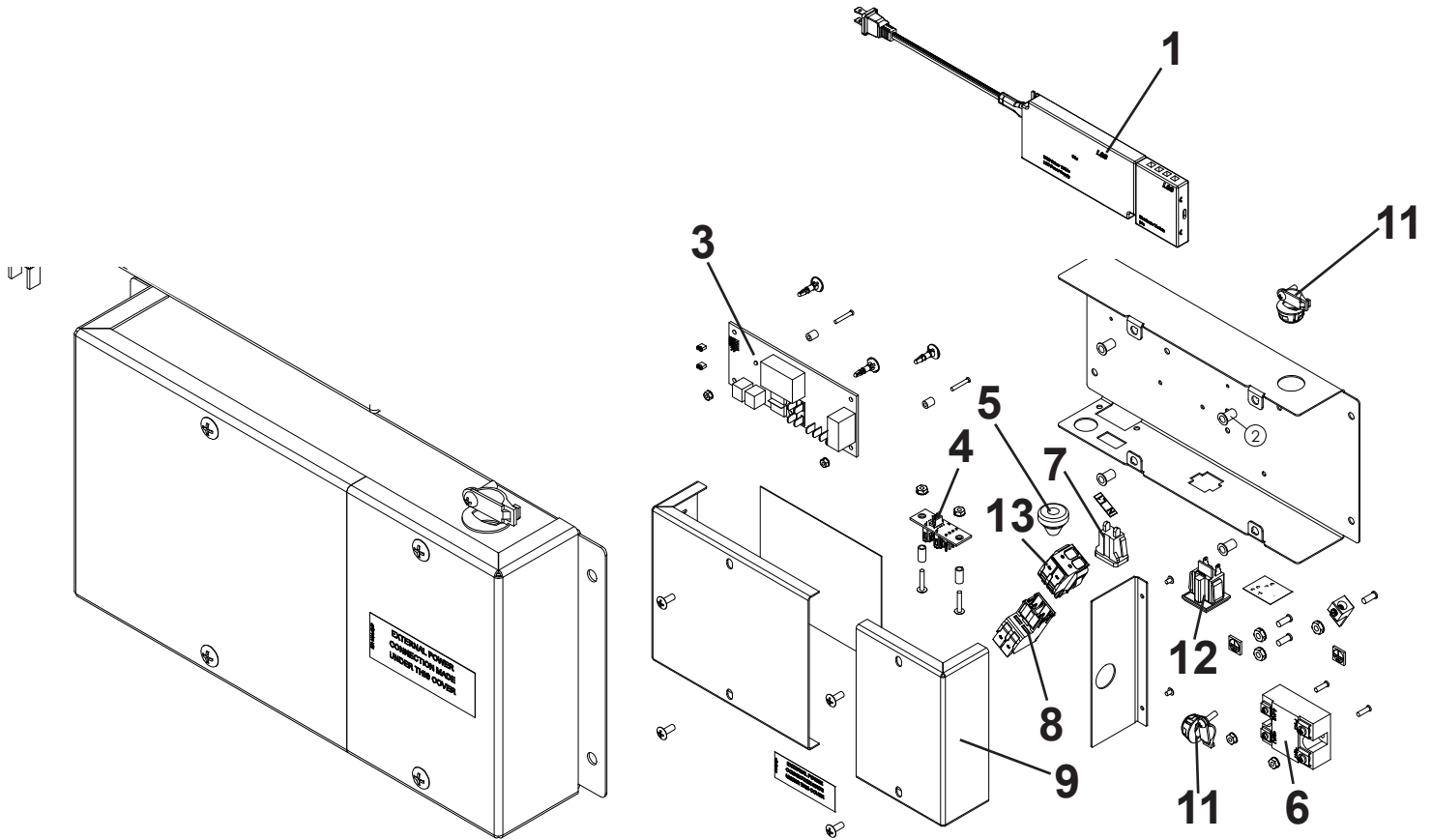
IOA ASSEMBLY BOX GRAPHICS

FOR ALL MODELS LISTED BELOW WITH HOT OR COLD

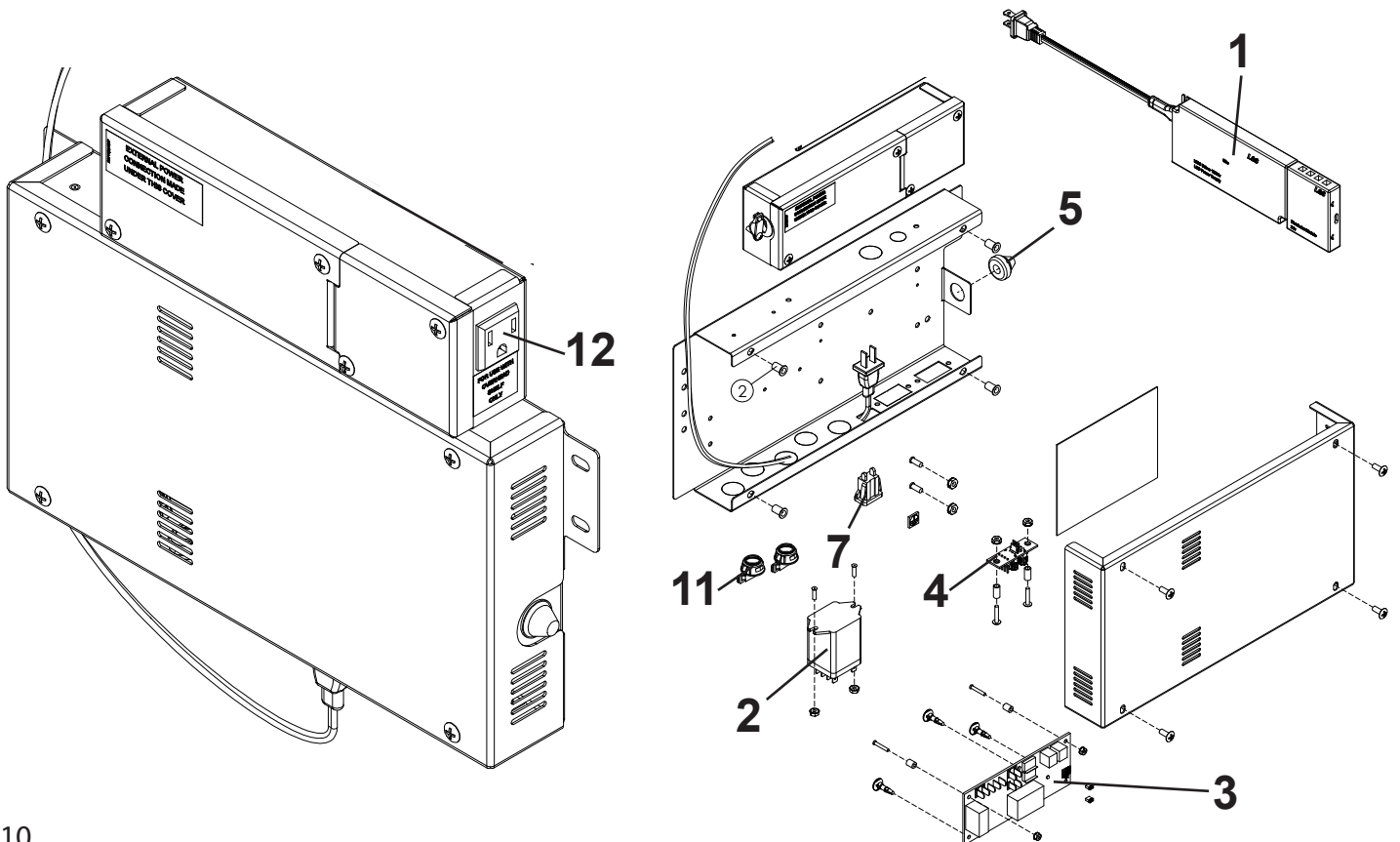
RHF1-SL, RHF2-SL, RHF3-SL, RHF2-SB, RHF3-SB, HFO1-SL, HFO2-SL, DE-RHF1-SL-HFO1-SL, DE-RHF2-SL-HFO2-SL, DE-RHF2-SB-HFO2-SL, DE-RHF2-SB-HFO1-SL, RHT1-SL, RHT2-SL, RHT3-SL, RHT2-SB, RHT3-SB, HTO1-SL, HTO2-SL, RFT1-SL, RFT2-SL, RFT3-SL, RFT2-SB, RFT3-SB, FTO1-SL, FTO2-SL, DE-RFT1-SL-FTO1-SL, DE-RFT2-SL-FTO2-SL, DE-RFT2-SB-FTO2-SL, DE-RFT2-SB-FTO1-SL



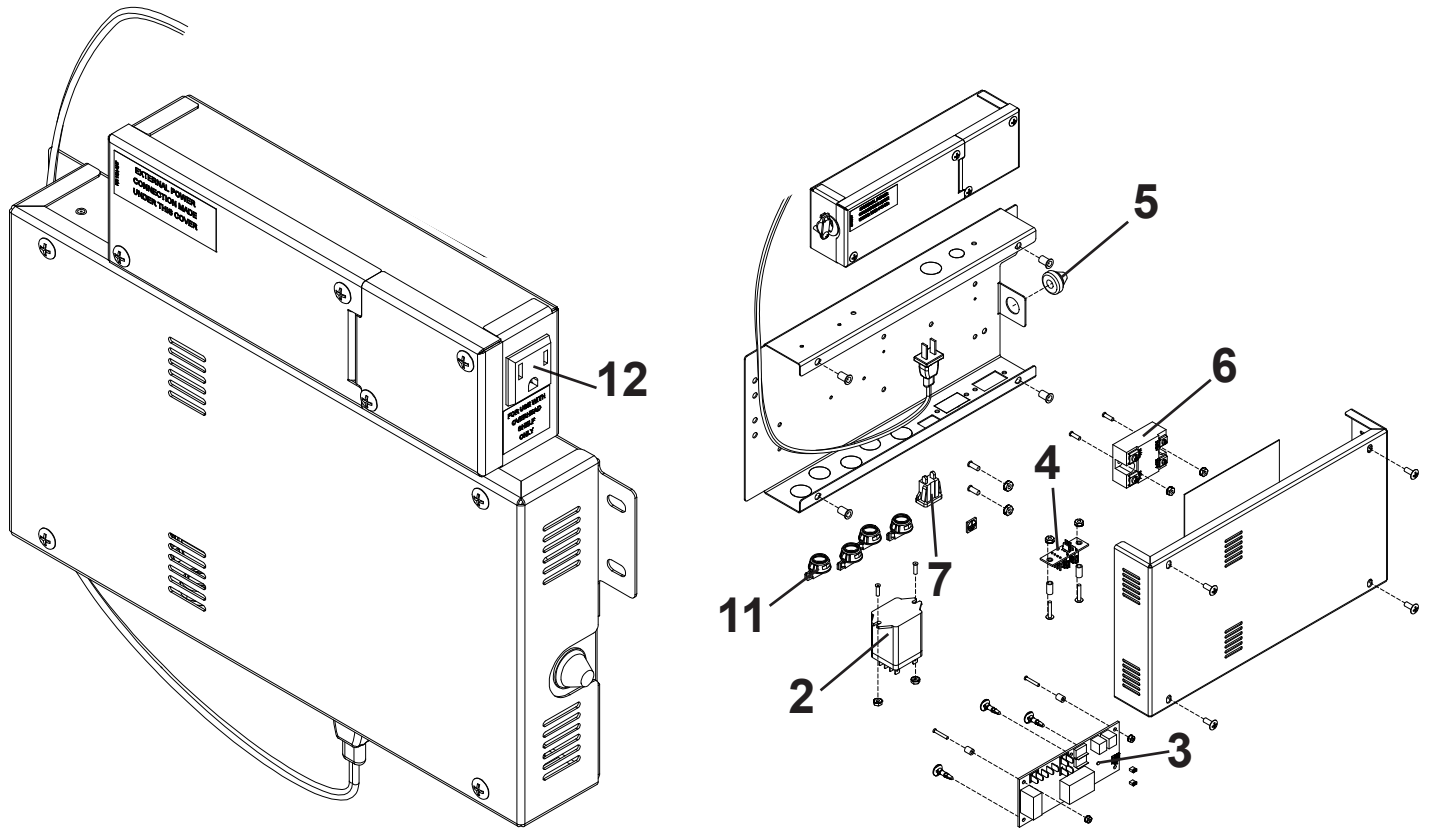
1124-0127 ELECTRICAL BOX



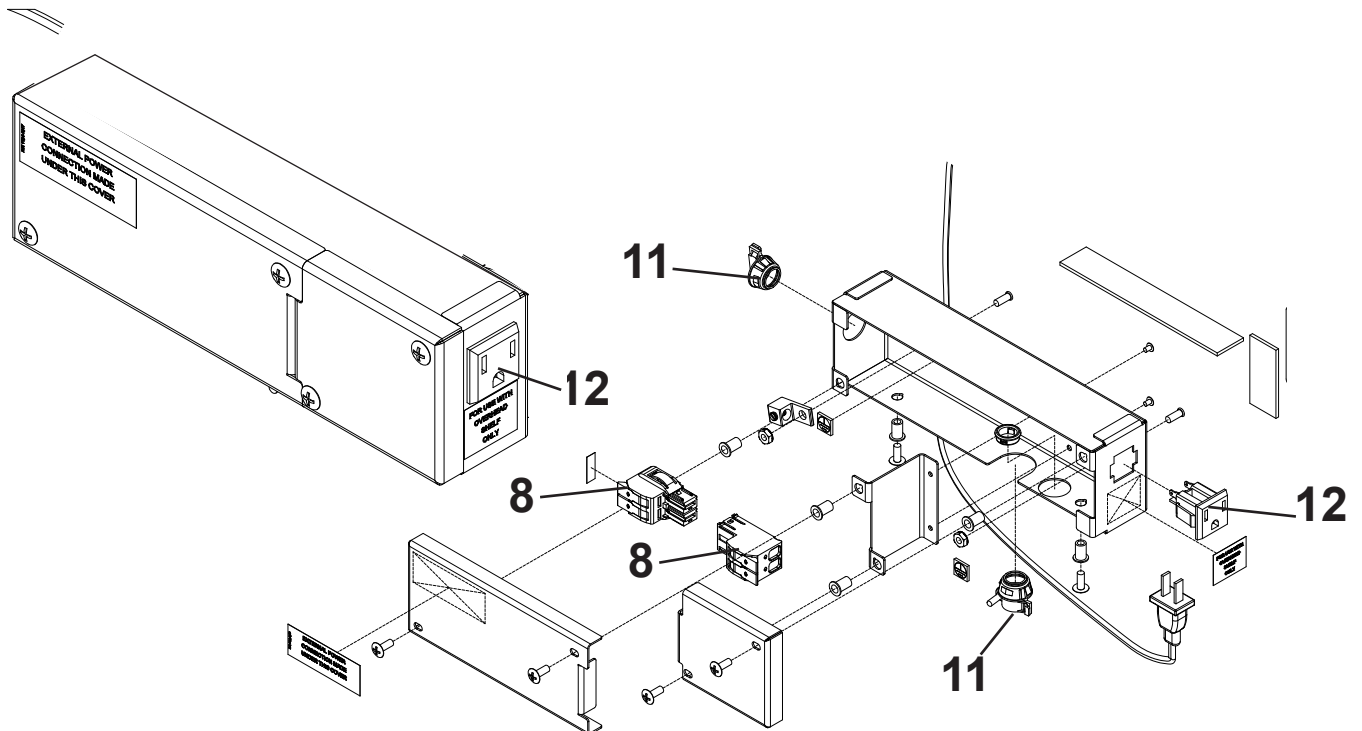
1124-0126 ELECTRICAL BOX



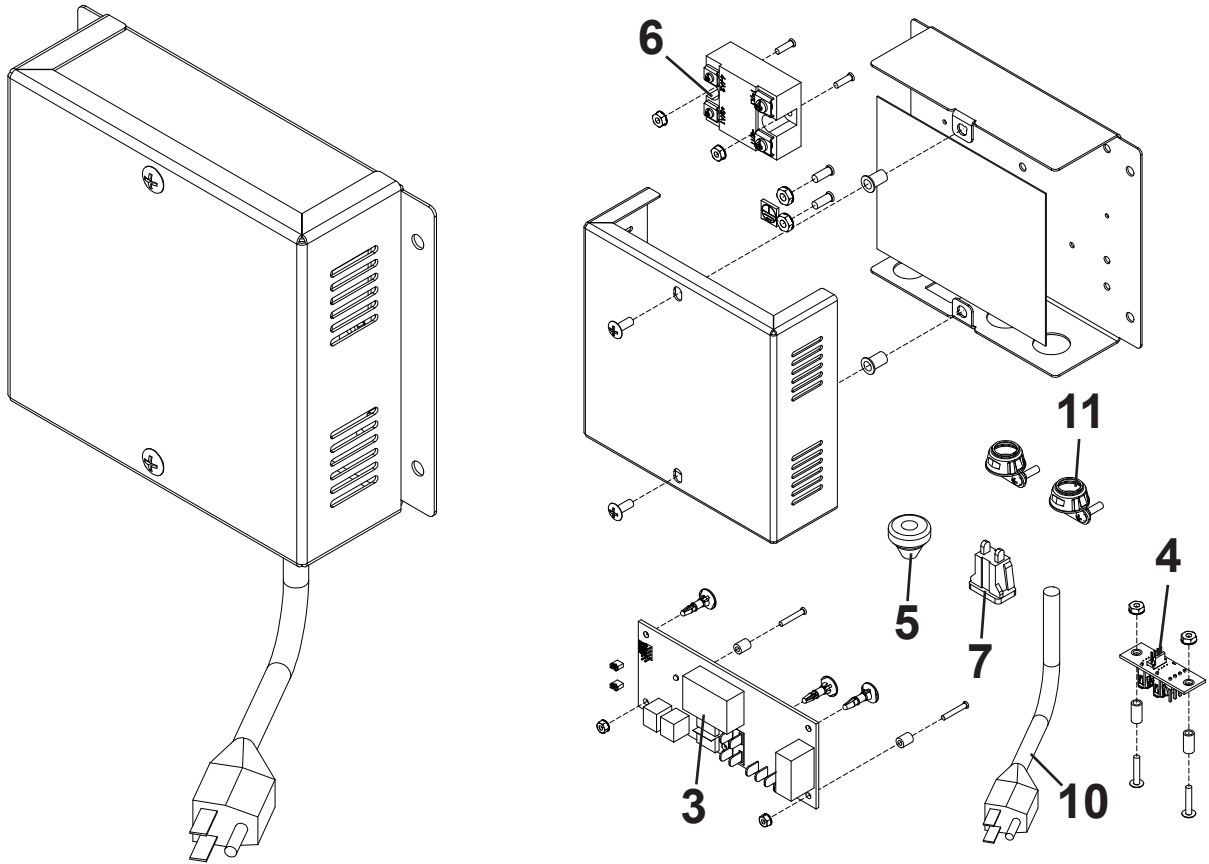
1124-0125 ELECTRICAL BOX



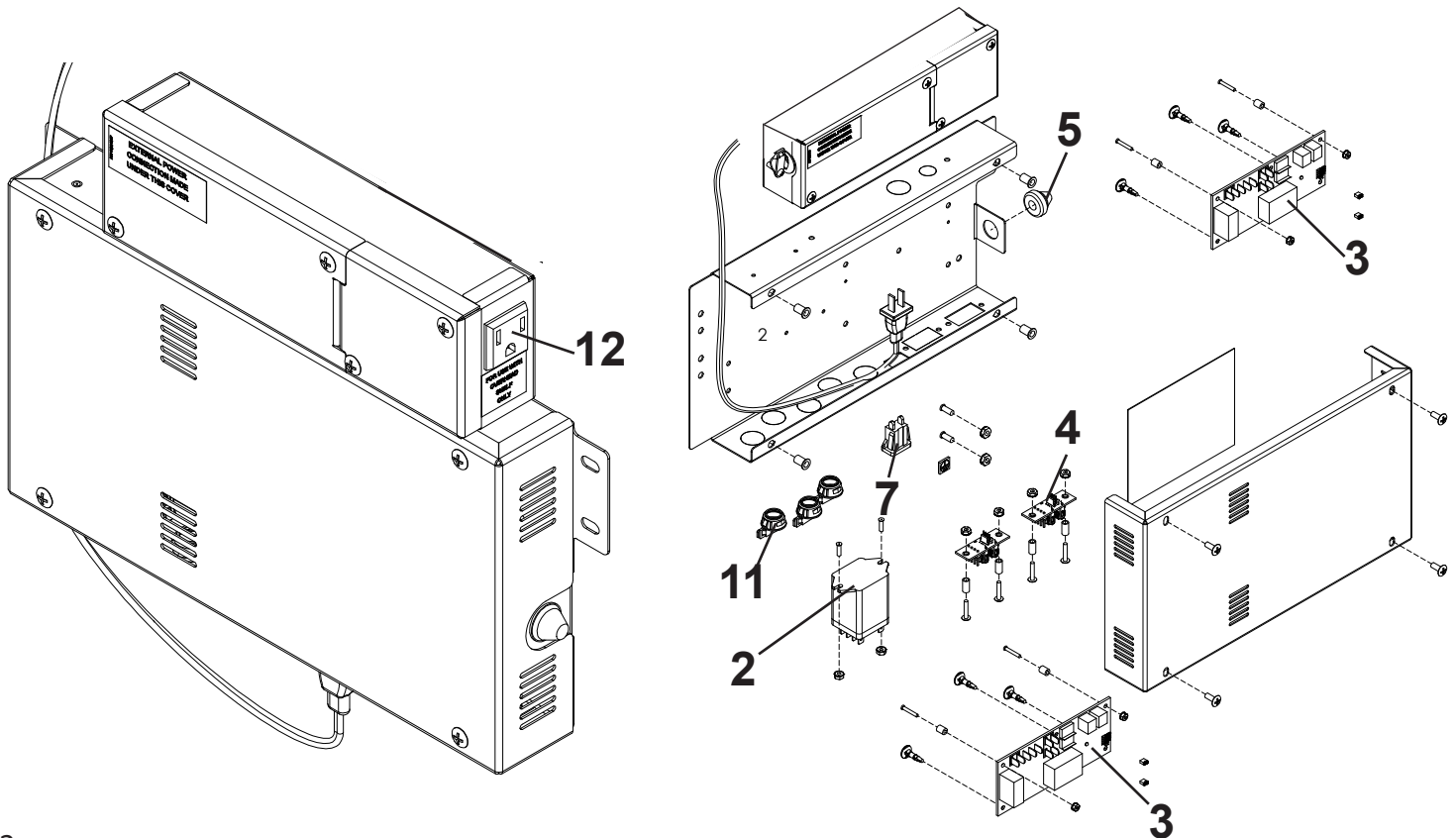
1124-0124 ELECTRICAL BOX



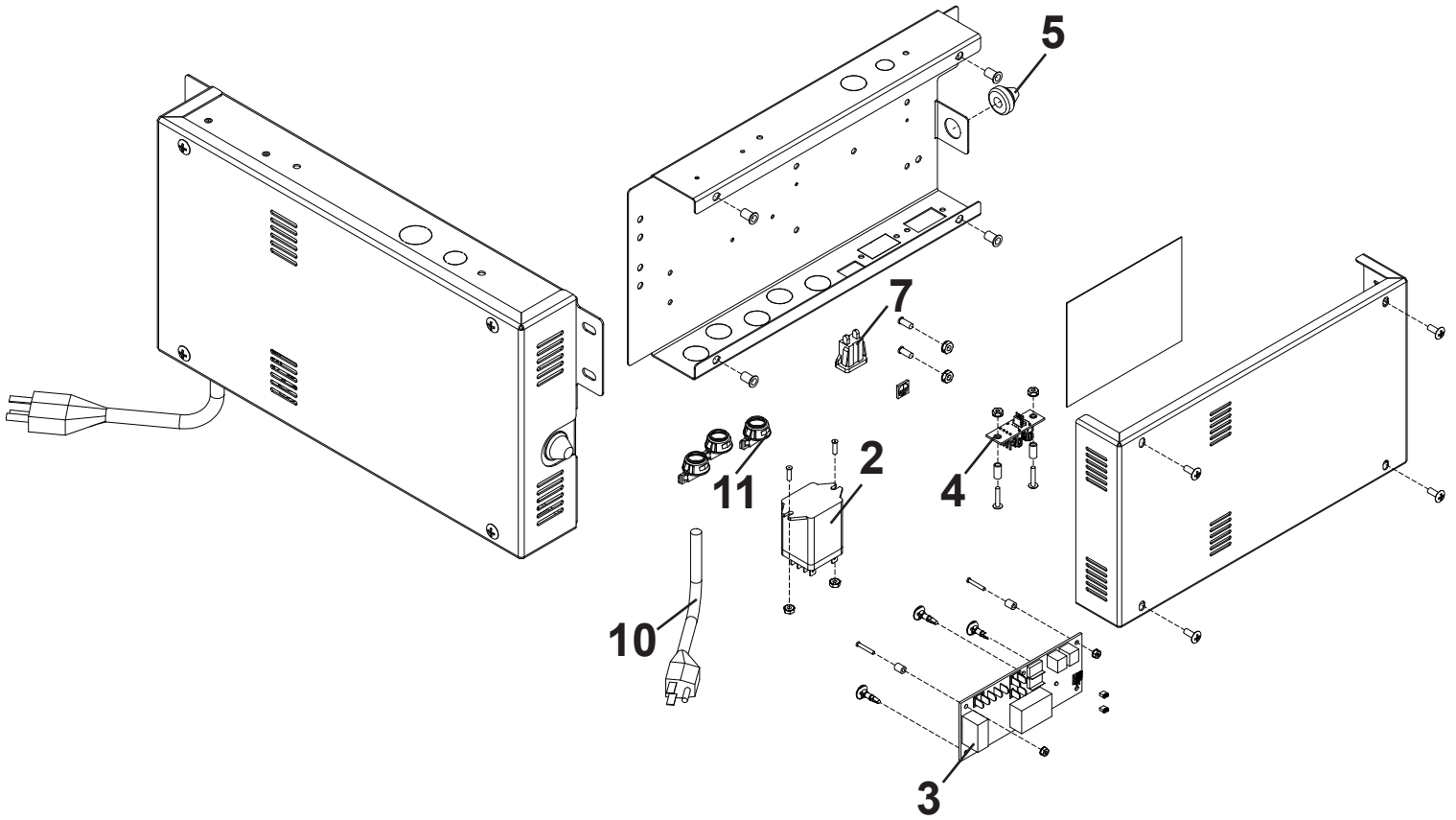
1124-0118 ELECTRICAL BOX



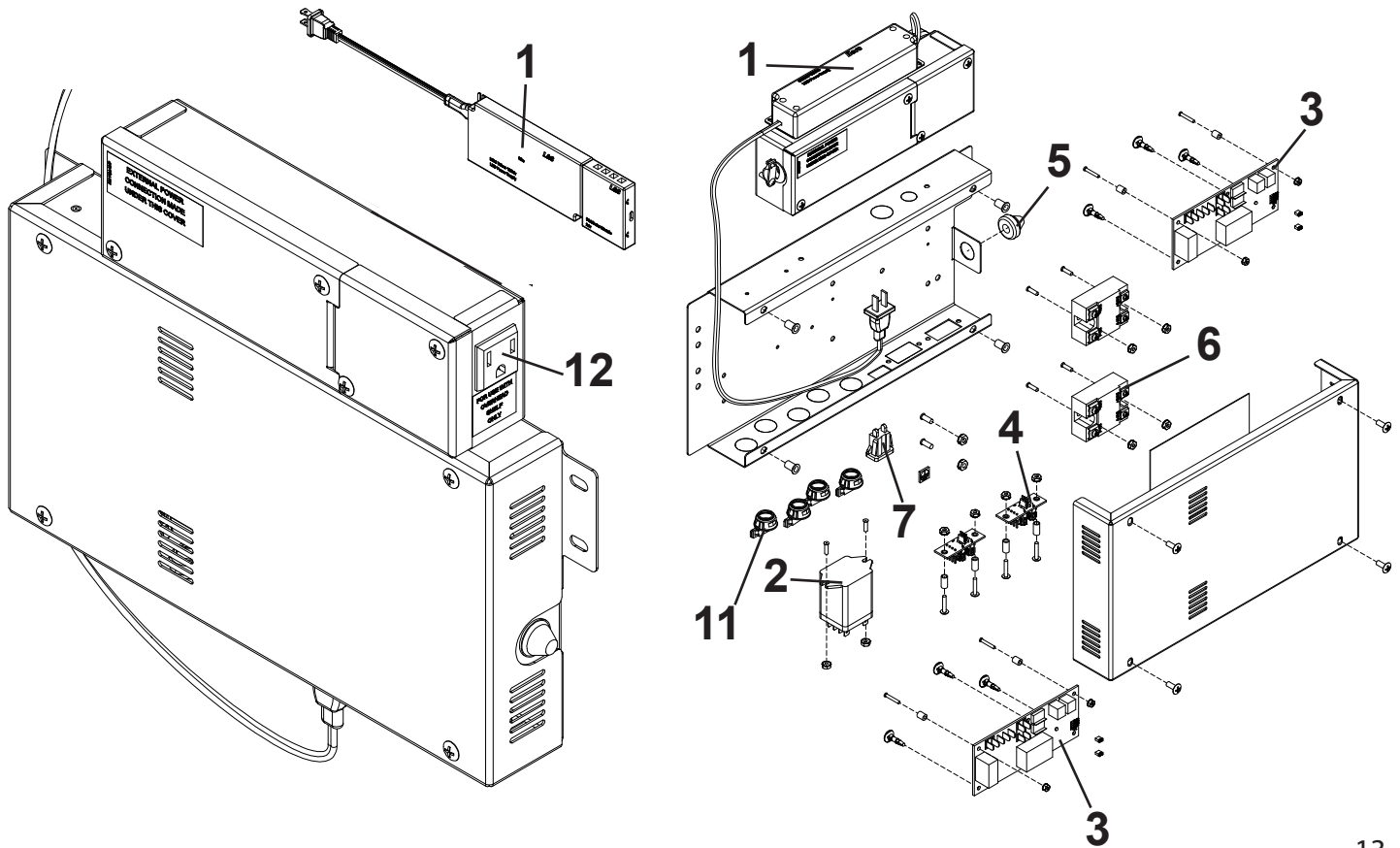
1124-0117 ELECTRICAL BOX



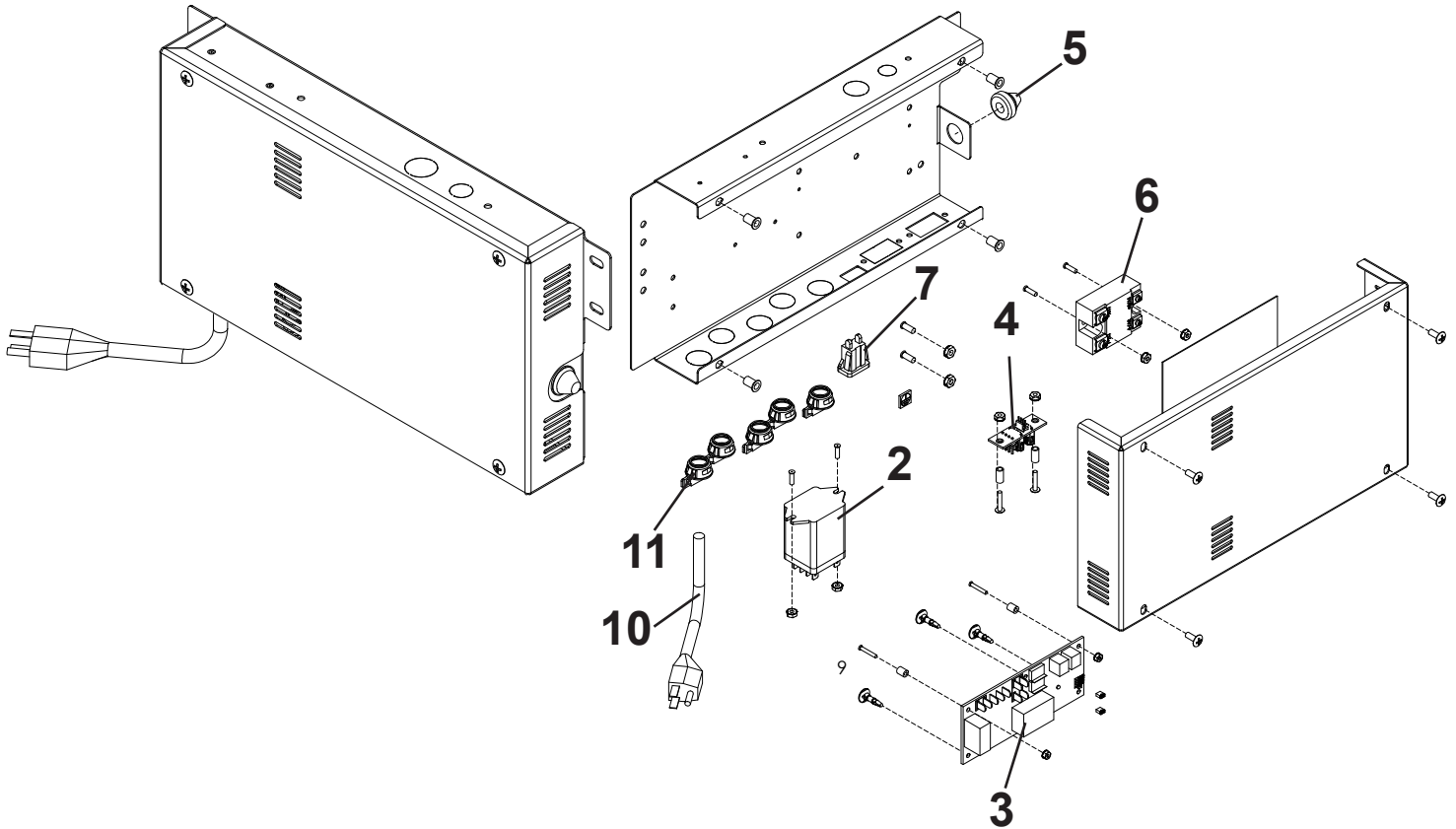
1124-0116 ELECTRICAL BOX



1124-0115 ELECTRICAL BOX



1124-0114 ELECTRICAL BOX



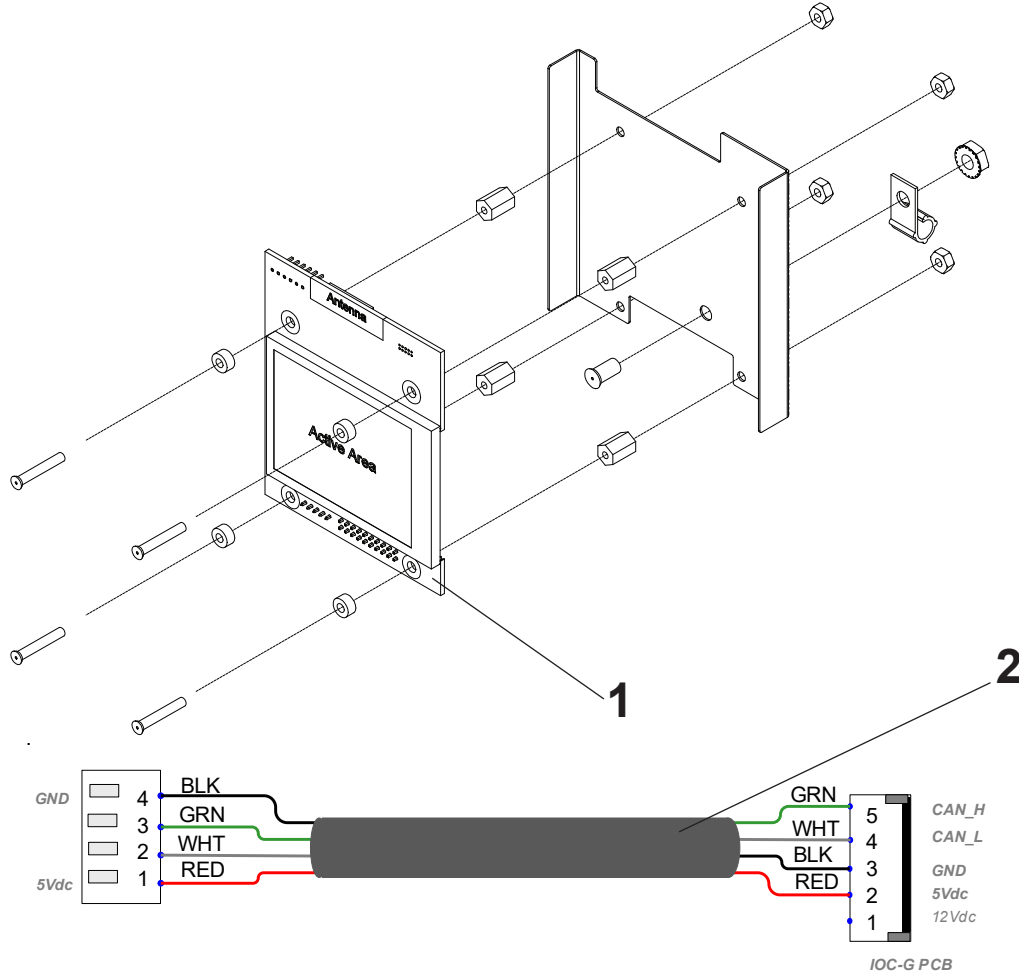
Item	Part #	Description
1	514965	MEC DRIVER 24V 36W w/ 8 Port Distribution Module + US Power Cord 2000mm (79")
	600596	Kit, L&S Driver Conversion To Hera Replacement
2	290432	Picker Relay Replacement Kit
*3	600586	Kit, Ioa Board Replacement (<i>See Table 1 Below</i>)
*NS	600587	Kit, Elc0804 Ioc-G & Elc0805 Ioa Board Replacement (<i>See Table 1 Below</i>)
4	ELC0402K	Kit, Pcb Can Bus Replacement
5	ELC0574	Epdm Snap-In Liquid Tight Bushing
6	600373	Kit, Solid State Relay Replacement
7	ELC0575	Utility Outlet Snap-In, Nema 1-15r
8	ELC0759	Female Plug; Push-In Cage Clamp With Operating Lever; Awg 18 - 4; Pin Spacing 10.16 Mm; 2-Pole
9	1124-2149	Elect. Panel, Cover, Right
10	222100	Cord,W/Plug Nema 5-20
11	212020	Connector, 3/8" Whipper-Snap 651sp
12	118434	Ac Connection Receptacle

SEE TABLE 1 ON PAGE 15

RECESSED HOT FROST CONTROL DISPLAY GRAPHICS/PART #'S

RHF1-SL, RHF2-SL, RHF3-SL, RHF2-SB, RHF3-SB, HFO1-SL, HFO2-SL, DE-RHF1-SL-HFO1-SL, DE-RHF2-SL-HFO2-SL, DE-RHF2-SB-HFO2-SL, DE-RHF2-SB-HFO1-SL, RHT1-SL, RHT2-SL, RHT3-SL, RHT2-SB, RHT3-SB, HTO1-SL, HTO2-SL, RFT1-SL, RFT2-SL, RFT3-SL, RFT2-SB, RFT3-SB, FTO1-SL, FTO2-SL, DE-RFT1-SL-FTO1-SL, DE-RFT2-SL-FTO2-SL, DE-RFT2-SB-FTO2-SL, DE-RFT2-SB-FTO1-SL

FOR ALL MODELS WITH HOT OR COLD



Item	Part #	Description
*1	600585	Kit, IOC-G Board Replacement (<i>See Table 1 Below</i>)
2	ELC0625	Harness - Box To Ioc-G Pcb 72"

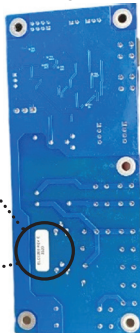
*TABLE 1

IOC-G Display Version	IOA Board Versions		
	ELC0200	ELC0576	ELC0805
ELC0353	✓	✗	✗
ELC0643	✓	✓	✗
ELC0804	✓	✓	✓

IOC-G DISPLAY BOARD

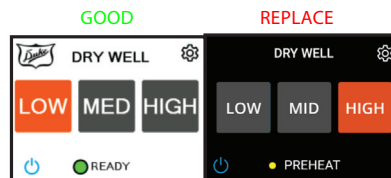


IOA



Part Number Location

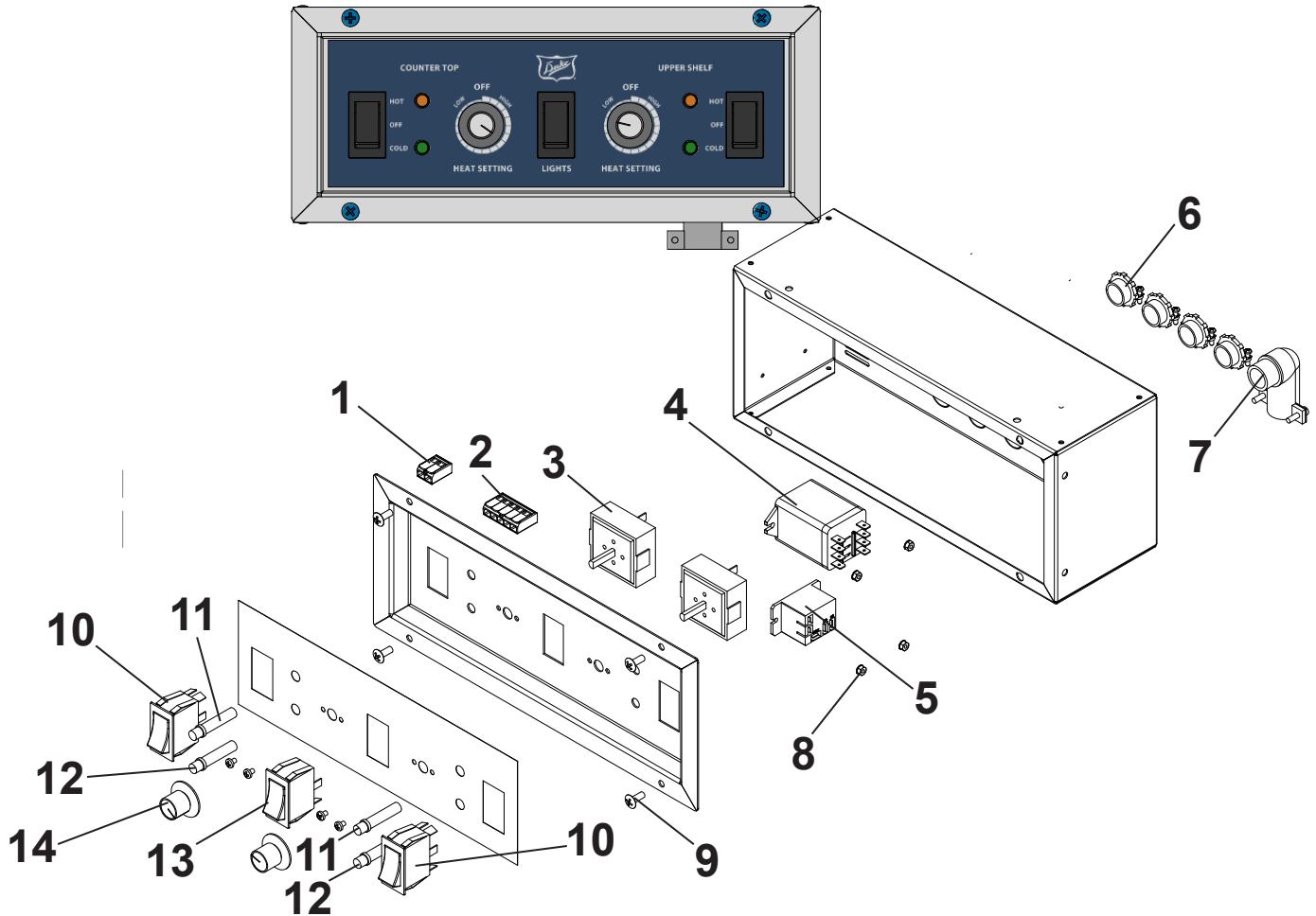
IOC-G DISPLAY COLOR EXAMPLE



RECESSED HOT FROST CONTROL GRAPHICS/PART #'S FOR ALL MODELS LISTED BELOW WITH HOT OR COLD

RHF1-SL-BC, RHF2-SL-BC, RHF3-SL-BC, RHF2-SB-BC, RHF3-SB-BC, HFO1-SL-BC, HFO2-SL-BC, DE-RHF1-SL-HFO1-SL-BC, DE-RHF2-SL-HFO2-SL-BC, DE-RHF2-SB-HFO2-SL-BC, DE-RHF2-SB-HFO1-SL-BC, RHT1-SL, RHT2-SL-BC, RHT3-SL-BC, RHT2-SB-BC, RHT3-SB-BC, HTO1-SL-BC, HTO2-SL-BC, RFT1-SL-BC, RFT2-SL-BC, RFT3-SL-BC, RFT2-SB-BC, RFT3-SB-BC, FTO1-SL-BC, FTO2-SL-BC, DE-RFT1-SL-FTO1-SL-BC, DE-RFT2-SL-FTO2-SL-BC, DE-RFT2-SB-FTO2-SL-BC, DE-RFT2-SB-FTO1-SL-BC

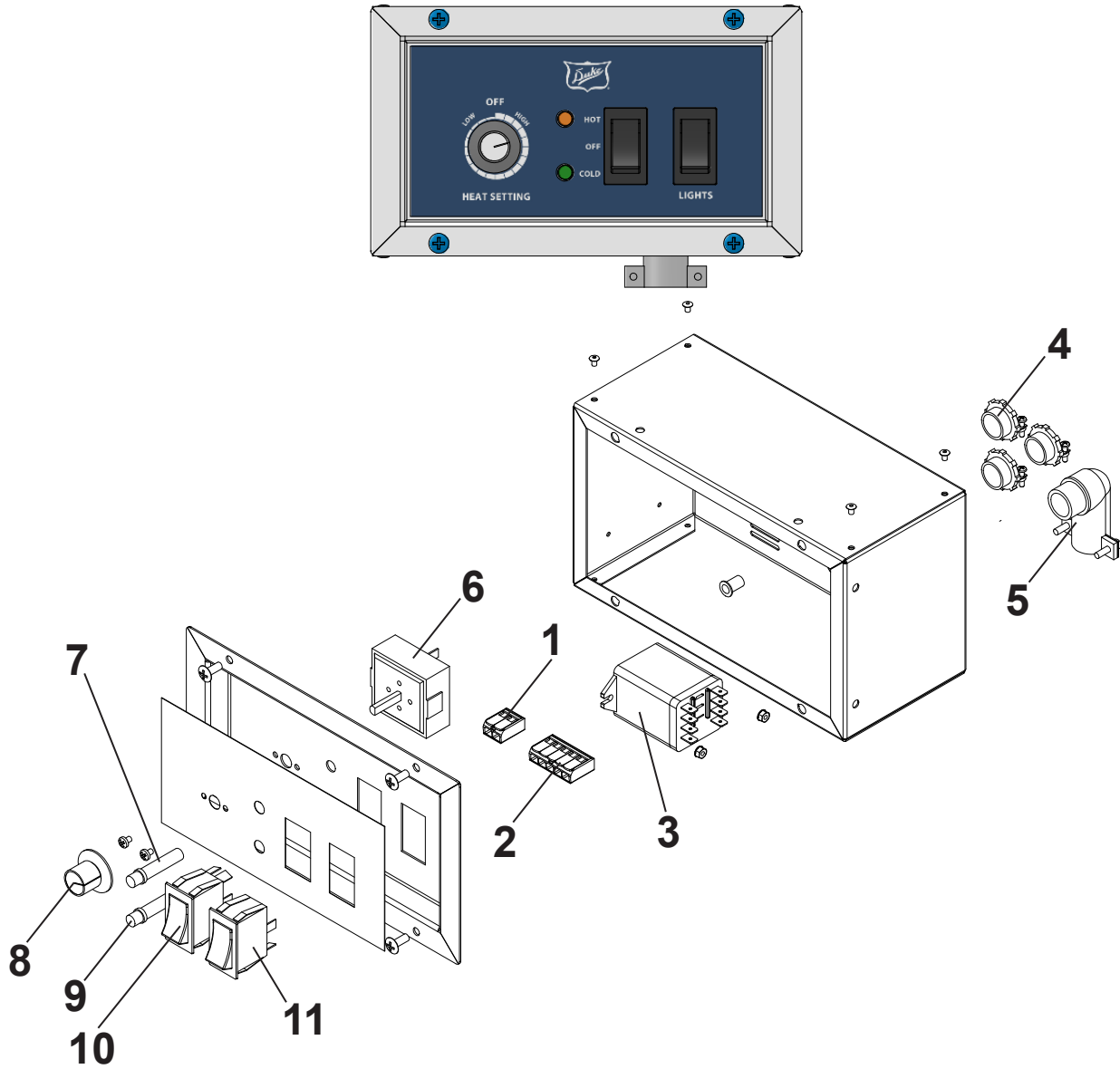
1124-0100 SHOWN



Item	Part #	Description	QTY
1	ELC0571	Splice Connector, Wago 2-Position, 20-10awg	1
2	ELC0573	Splice Connector, Wago 5-Position, 20-10awg	1
3	155580	Switch, Infinite 120v	2
4	115330	Relay, Dpdt, 40a, 120vac Coil	1
5	226205	Relay, 120v Dasco	1
6	212021	Connector, Romax 3/8"	4
7	212126	Connector, 90deg 804d	1
8	159107	Nut, Keps 4-40 Hex Ss	4
9	213027	Screw, 10-24x1/2" Pthms S/S	4
10	114057	Three Position Switch	2
11	114060	Heat Lamp Indicator Light (Amber)	2
12	114061	Compressor Indicator Light (Green)	2
13	114050	Two Position Switch, Compressor	2
14	222289	Knob, Turn Hatco (For Cc) 05.30.043	2

RECESSED HOT FROST CONTROL GRAPHICS/PART #'S

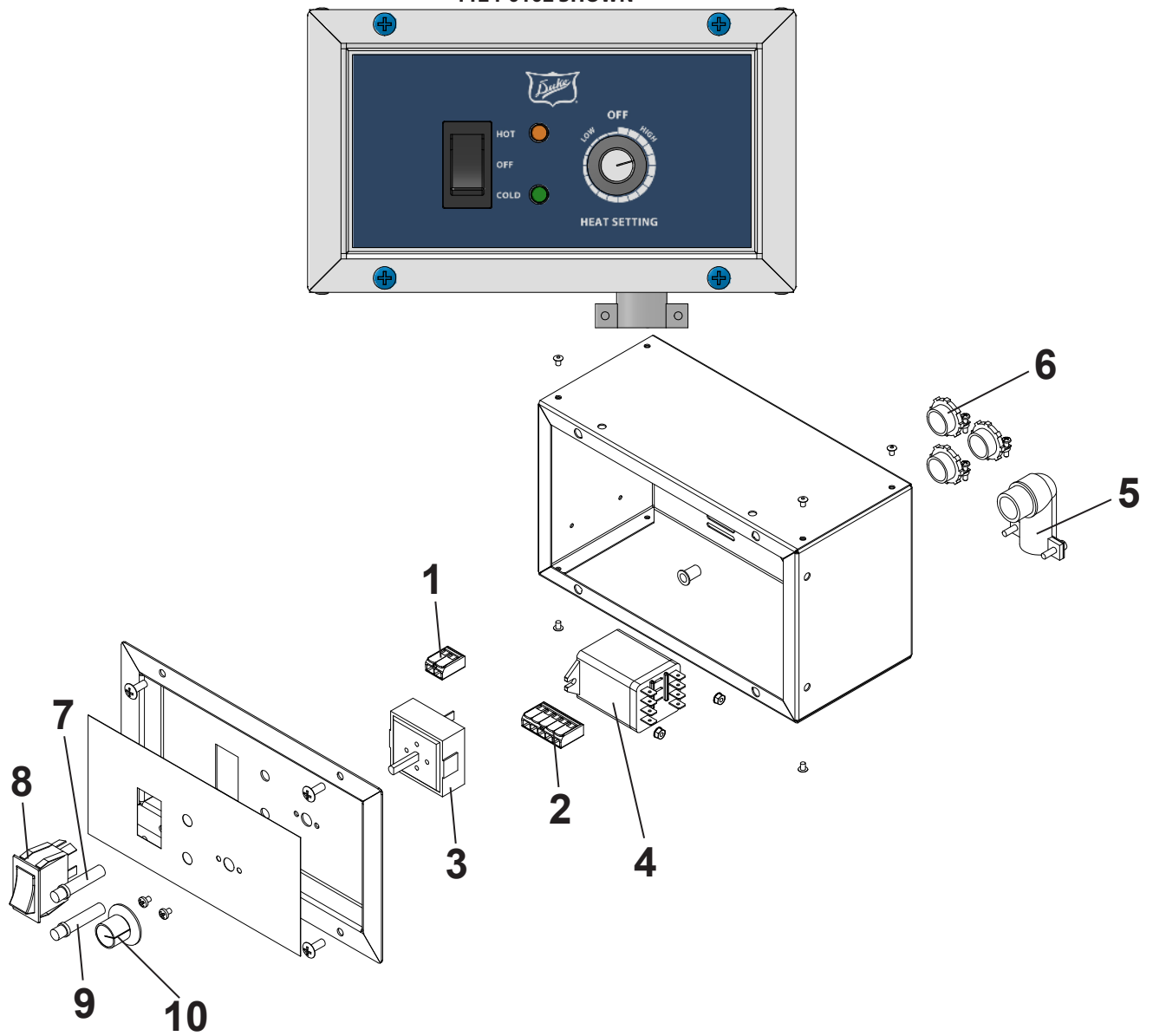
1124-0101 SHOWN



Item	Part #	Description	QTY
1	ELC0571	Splice Connector, Wago 2-Position, 20-10awg	1
2	ELC0573	Splice Connector, Wago 5-Position, 20-10awg	1
3	115330	Relay,Dpdt,40a,120vac Coil	1
4	212021	Recpt,Elec Nema L6-20r Hbl2320	3
5	212126	Connector,90deg 804d	1
6	155580	Switch,Infinite 120v	1
7	114060	Heat Lamp Indicator Light (Amber)	1
8	222289	Knob, Turn Hatco (For Cc) 05.30.043	1
9	114061	Compressor Indicator Light (Green)	1
10	114057	Three Position Switch	1
11	114050	Two Position Switch, Compressor	1

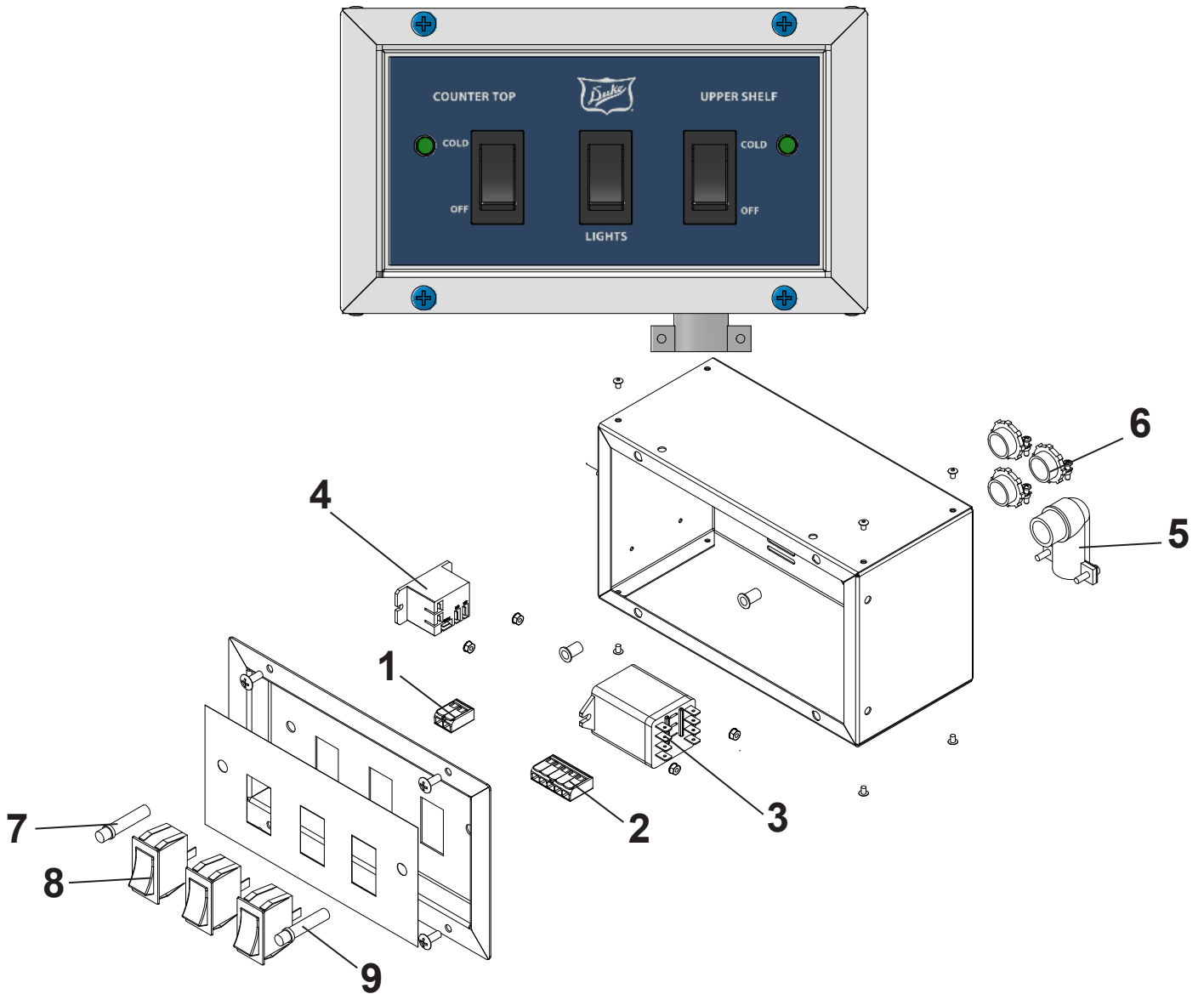
Illustrated Parts List for Recessed Hot Frost

1124-0102 SHOWN



Item	Part #	Description	QTY
1	ELC0571	Splice Connector, Wago 2-Position, 20-10awg	1
2	ELC0573	Splice Connector, Wago 5-Position, 20-10awg	1
3	155580	Switch, Infinite 120v	1
4	115330	Relay, Dpdt, 40a, 120vac Coil	1
5	212126	Connector, 90deg 804d	1
6	212021	Connector, Romax 3/8"	3
7	114060	Heat Lamp Indicator Light (Amber)	1
8	114057	Three Position Switch	1
9	114061	Compressor Indicator Light (Green)	1
10	222289	Knob, Turn Hatco (For Cc) 05.30.043	1

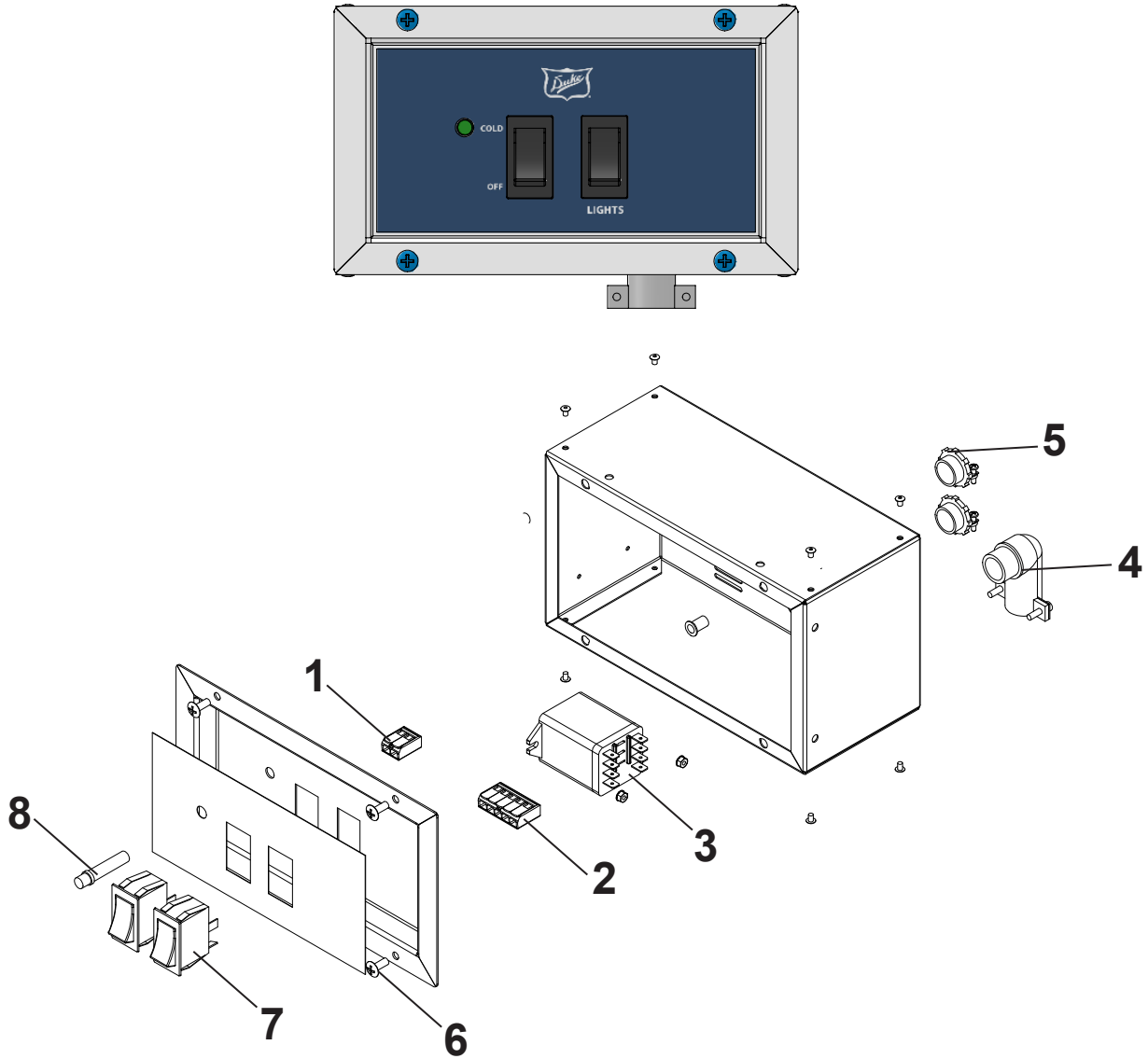
1124-0108 SHOWN



Item	Part #	Description	QTY
1	ELC0571	Splice Connector, Wago 2-Position, 20-10awg	1
2	ELC0573	Splice Connector, Wago 5-Position, 20-10awg	1
3	115330	Relay,Dpdt,40a,120vac Coil	2
4	226205	Relay,120v Dasco	1
5	212126	Connector,90deg 804d	1
6	212021	Connector,Romax 3/8"	4
7	114061	Compressor Indicator Light (Green)	1
8	114050	Two Position Switch, Compressor	4
9	114061	Compressor Indicator Light (Green)	4

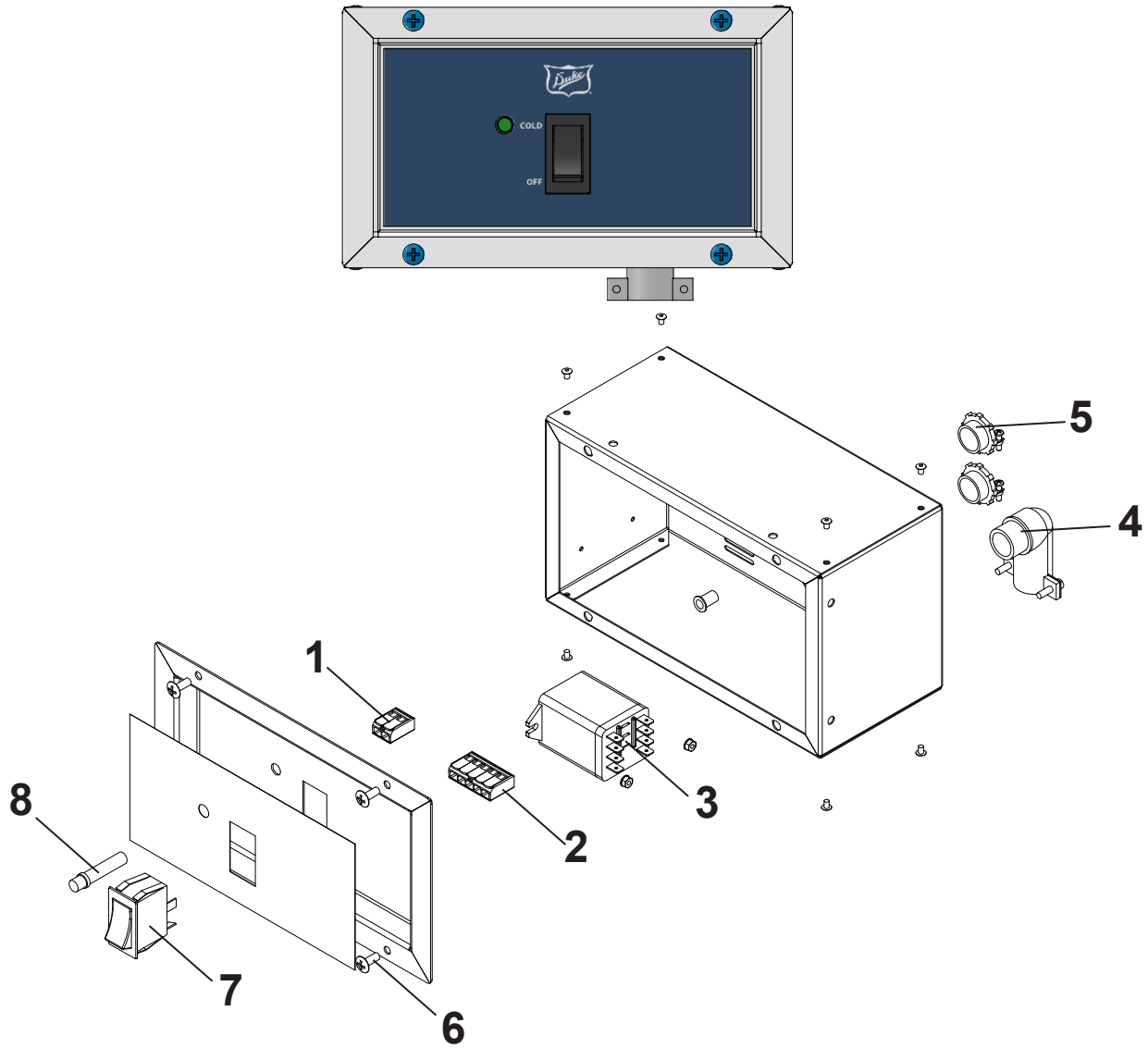
Illustrated Parts List for Recessed Hot Frost

1124-0109 SHOWN



Item	Part #	Description	QTY
1	ELC0571	Splice Connector, Wago 2-Position, 20-10awg	1
2	ELC0573	Splice Connector, Wago 5-Position, 20-10awg	1
3	115330	Relay, Dpdt, 40a, 120vac Coil	1
4	212126	Connector, 90deg 804d	1
5	212021	Connector, Romax 3/8"	1
6	213027	Screw, 10-24x1/2" Pthms S/S	4
7	114050	Two Position Switch, Compressor	2
8	114061	Compressor Indicator Light (Green)	1

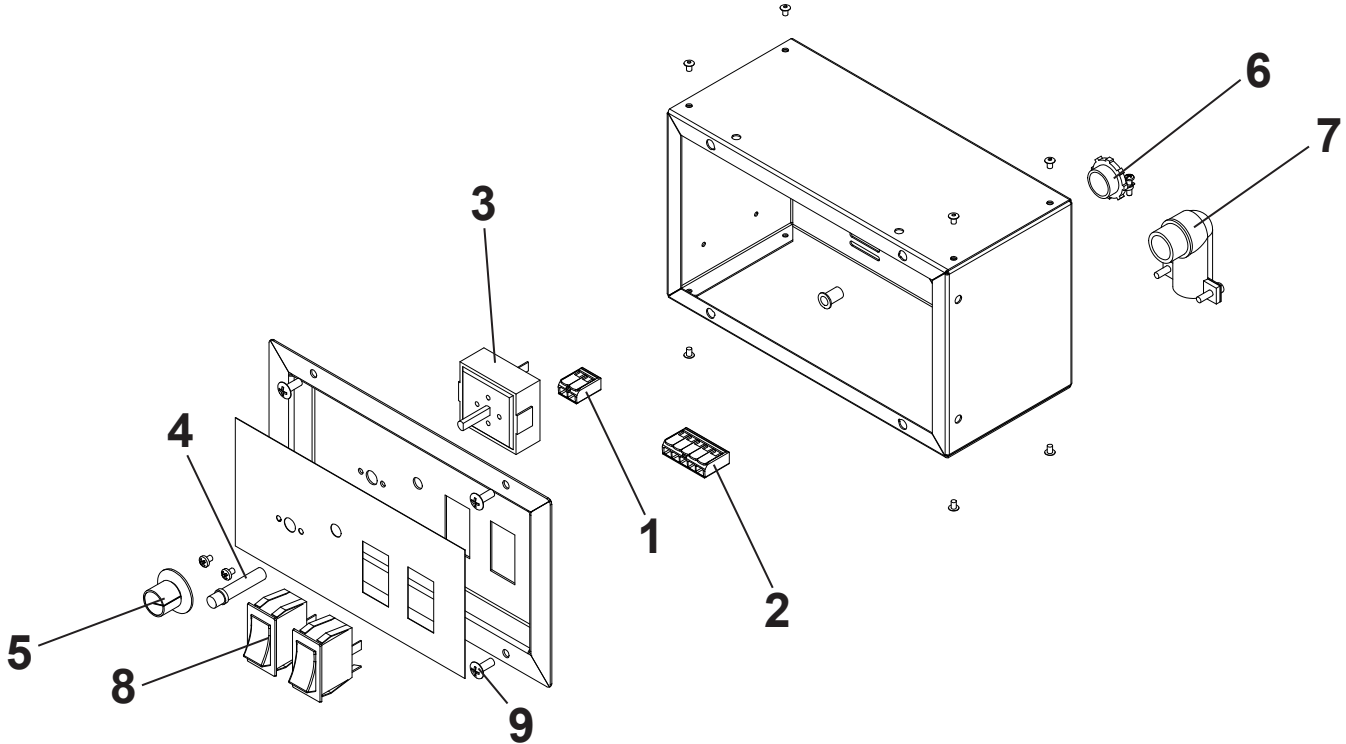
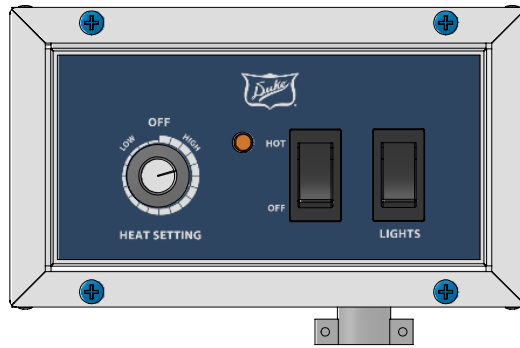
1124-0110 SHOWN



Item	Part #	Description	QTY
1	ELC0571	Splice Connector, Wago 2-Position, 20-10awg	1
2	ELC0573	Splice Connector, Wago 5-Position, 20-10awg	1
3	115330	Relay,Dpdt,40a,120vac Coil	1
4	212126	Connector,90deg 804d	1
5	212021	Connector,Romax 3/8"	1
6	213027	Screw,10-24x1/2" Pthms S/S	4
7	114050	Two Position Switch, Compressor	1
8	114061	Compressor Indicator Light (Green)	1

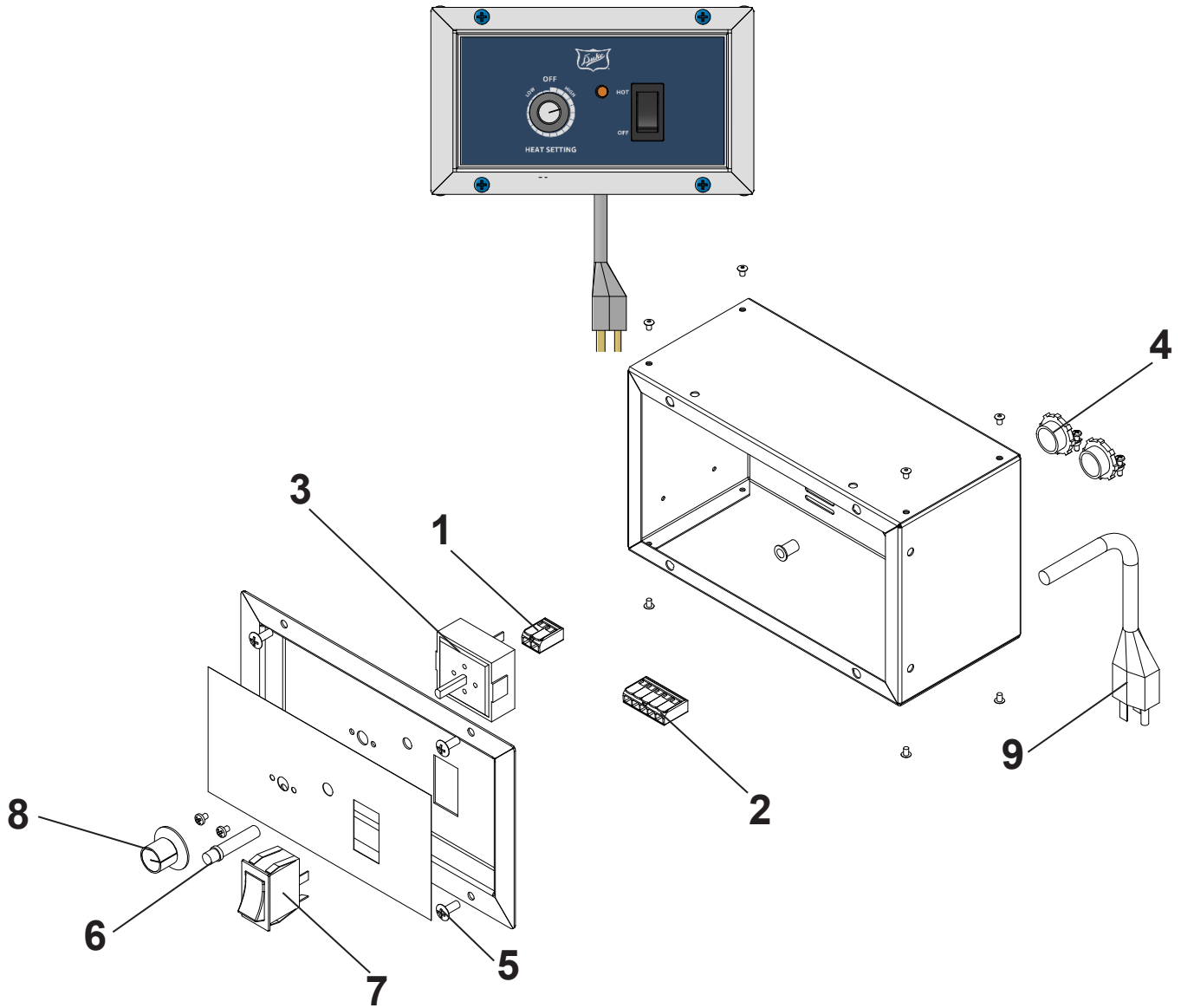
Illustrated Parts List for Recessed Hot Frost

1124-0111 SHOWN



Item	Part #	Description	QTY
1	ELC0571	Splice Connector, Wago 2-Position, 20-10awg	1
2	ELC0573	Splice Connector, Wago 5-Position, 20-10awg	1
3	155580	Switch, Infinite 120v	1
4	114060	Heat Lamp Indicator Light (Amber)	1
5	222289	Knob, Turn Hatco (For Cc) 05.30.043	1
6	212021	Connector, Romax 3/8"	1
7	212126	Connector, 90deg 804d	1
8	114050	Two Position Switch, Compressor	1
9	213027	Screw, 10-24x1/2" Pthms S/S	4

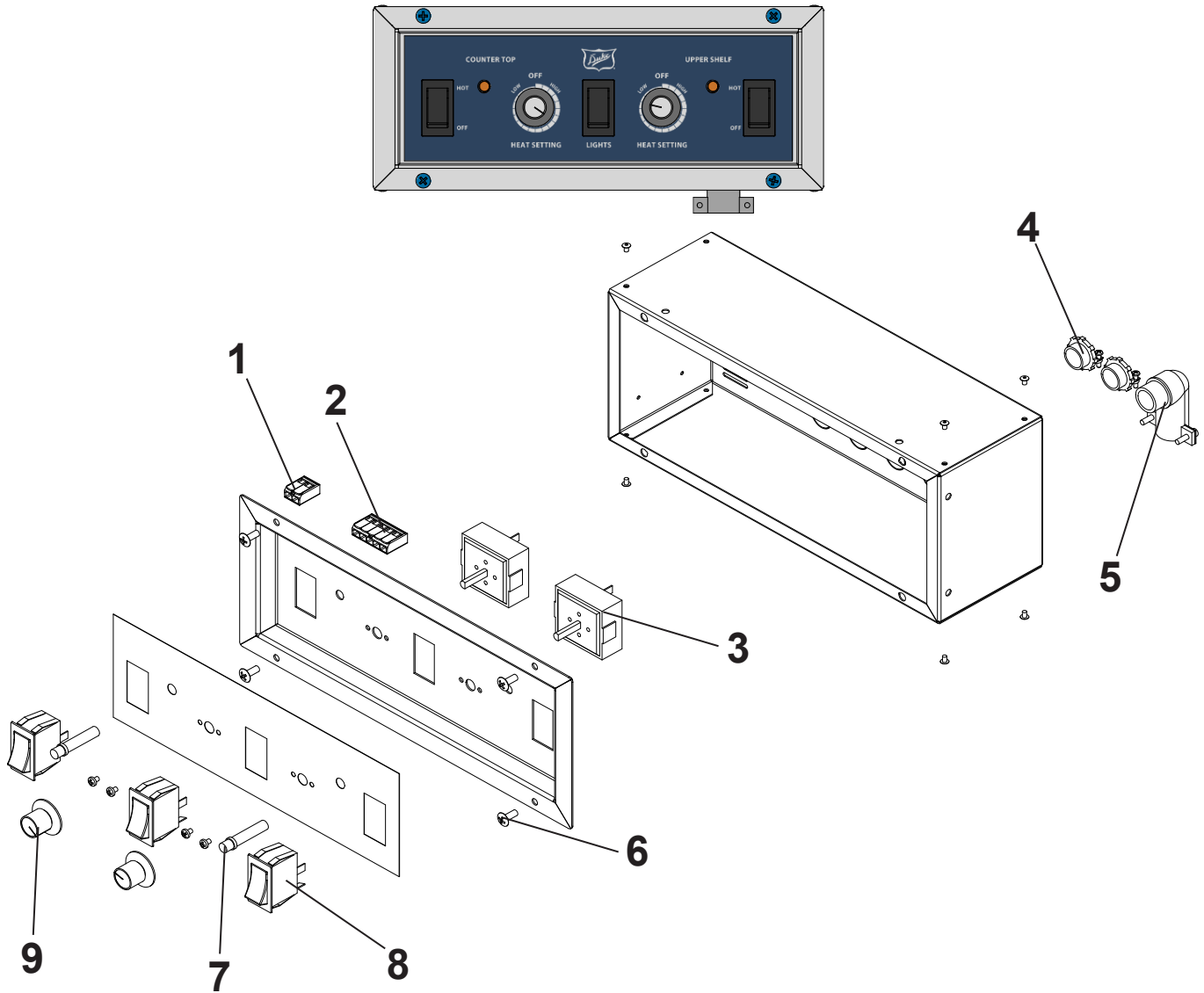
1124-0112 SHOWN



Item	Part #	Description	QTY
1	ELC0571	Splice Connector, Wago 2-Position, 20-10awg	1
2	ELC0573	Splice Connector, Wago 5-Position, 20-10awg	1
3	155580	Switch, Infinite 120v	1
4	212021	Connector, Romax 3/8"	2
5	213027	Screw, 10-24x1/2" Pthms S/S	4
6	114060	Heat Lamp Indicator Light (Amber)	1
7	114050	Two Position Switch, Compressor	1
8	222289	Knob, Turn Hatco (For Cc) 05.30.043	1
9	212170	Cord W/Plug 72 1/2" 14-3 Cord	1

Illustrated Parts List for Recessed Hot Frost

1124-0113 SHOWN

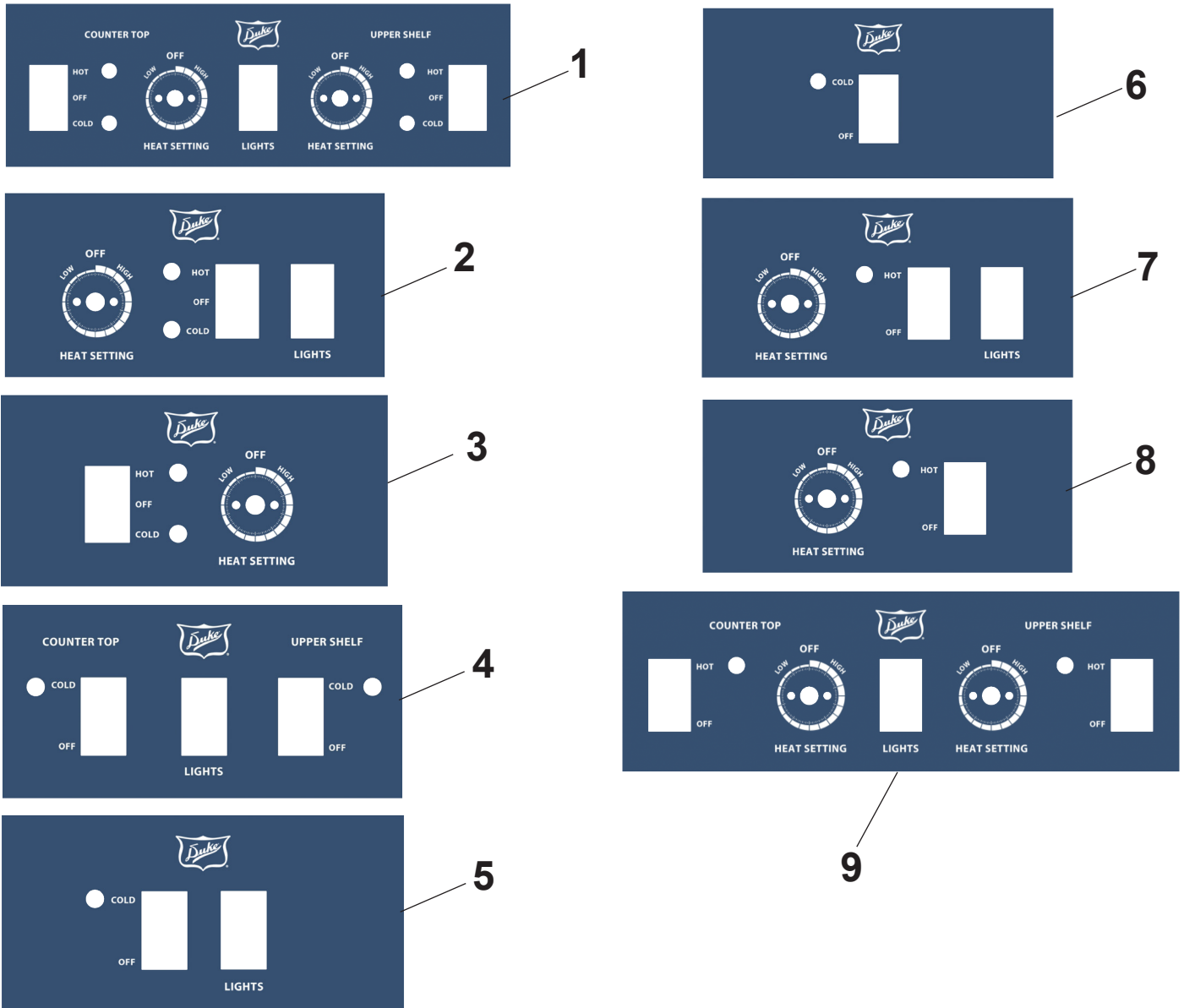


Item	Part #	Description	QTY
1	ELC0571	Splice Connector, Wago 2-Position, 20-10awg	1
2	ELC0573	Splice Connector, Wago 5-Position, 20-10awg	1
3	155580	Switch, Infinite 120v	2
4	212021	Connector, Romax 3/8"	2
5	212126	Connector, 90deg 804d	1
6	213027	Screw, 10-24x1/2" Pthms S/S	4
7	114060	Heat Lamp Indicator Light (Amber)	2
8	114050	Two Position Switch, Compressor	3
9	222289	Knob, Turn Hatco (For Cc) 05.30.043	2

BASIC CONTROL MYLAR GRAPHICS/PART #'S

FOR ALL MODELS LISTED BELOW WITH HOT OR COLD

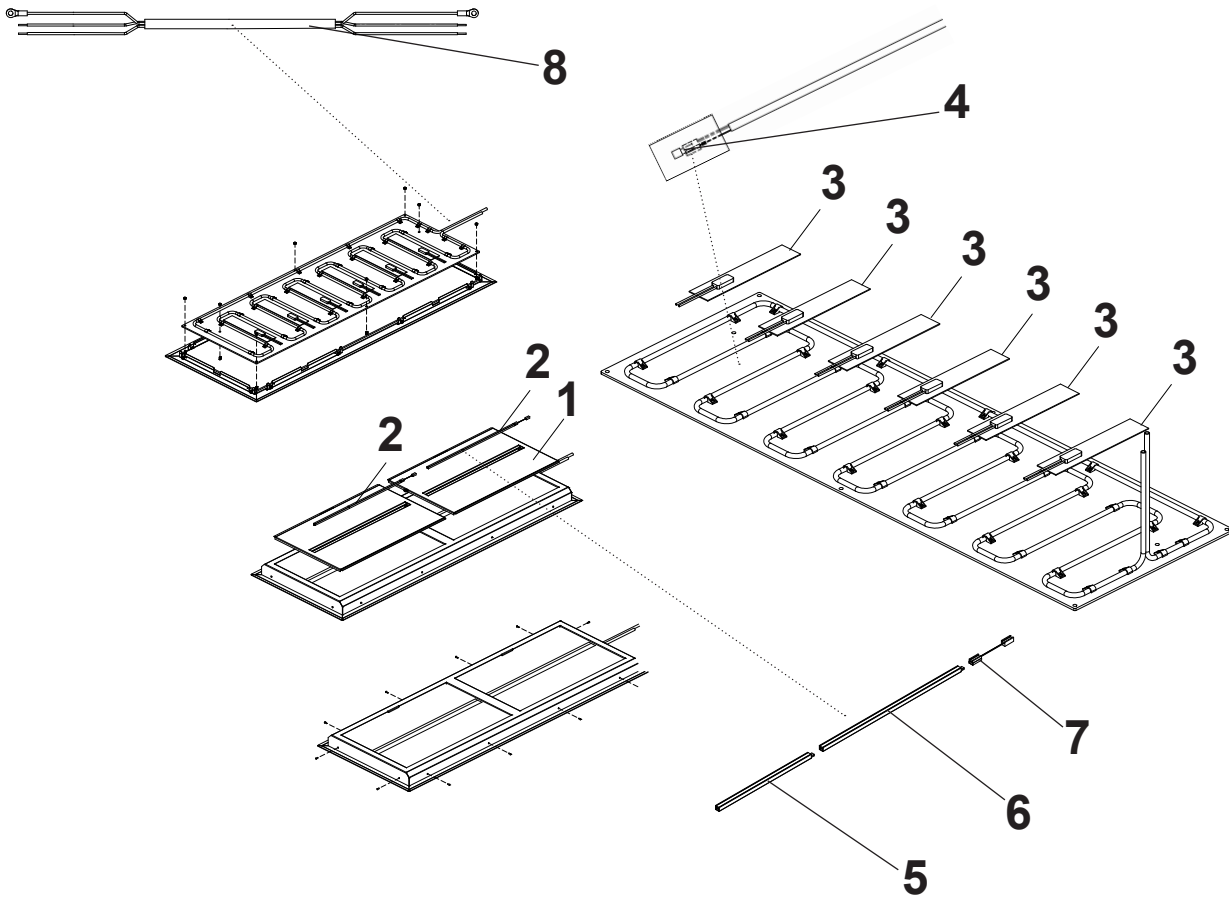
RHF1-SL-BC, RHF2-SL-BC, RHF3-SL-BC, RHF2-SB-BC, RHF3-SB-BC, HFO1-SL-BC, HFO2-SL-BC, DE-RHF1-SL-HFO1-SL-BC, DE-RHF2-SL-HFO2-SL-BC, DE-RHF2-SB-HFO2-SL-BC, DE-RHF2-SB-HFO1-SL-BC, RHT1-SL, RHT2-SL-BC, RHT3-SL-BC, RHT2-SB-BC, RHT3-SB-BC, HTO1-SL-BC, HTO2-SL-BC, RFT1-SL-BC, RFT2-SL-BC, RFT3-SL-BC, RFT2-SB-BC, RFT3-SB-BC, FTO1-SL-BC, FTO2-SL-BC, DE-RFT1-SL-FTO1-SL-BC, DE-RFT2-SL-FTO2-SL-BC, DE-RFT2-SB-FTO2-SL-BC, DE-RFT2-SB-FTO1-SL-BC



Item	Part #	Description
1	1124-1008	Hot, Cold, Dual Zone, Lights, Mylar
2	1124-1009	Hot, Cold, Single Zone, Lights, Mylar
3	1124-1010	Hot, Cold, Single Zone, No Lights, Mylar
4	1124-1011	Cold, Dual Zone, Lights, Mylar
5	1124-1012	Cold, Single Zone, Lights, Mylar
6	1124-1013	Cold, Single Zone, No Lights, Mylar
7	1124-1014	Hot, Single Zone, Lights, Mylar
8	1124-1015	Hot, Single Zone, No-Lights, Mylar
9	1124-1016	Hot, Dual Zone, Lights, Mylar

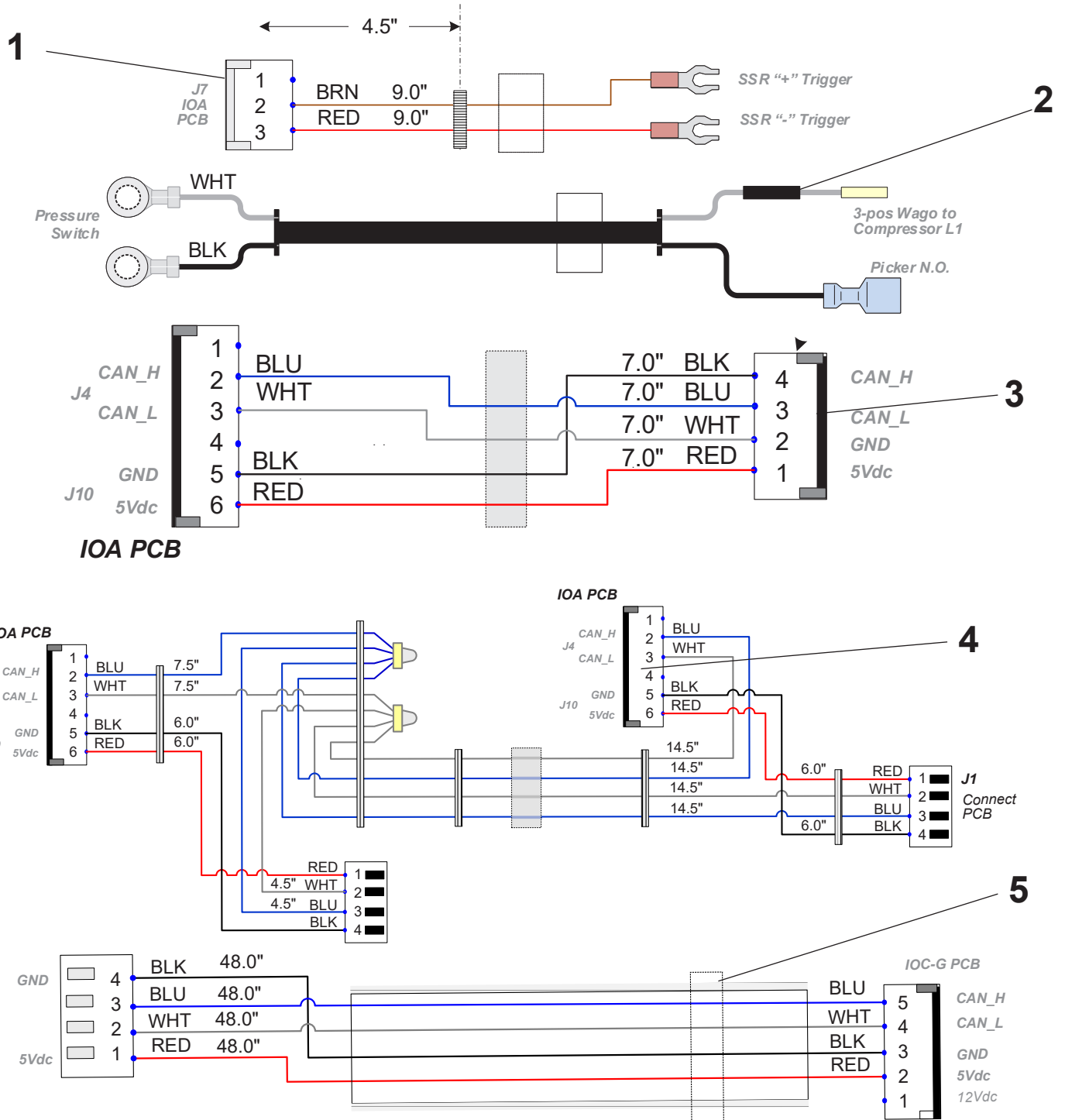
RECESSED HOT FROST HEATER AND LIGHTS GRAPHICS/PART #'S

FOR ALL MODELS WITH HOT OR COLD

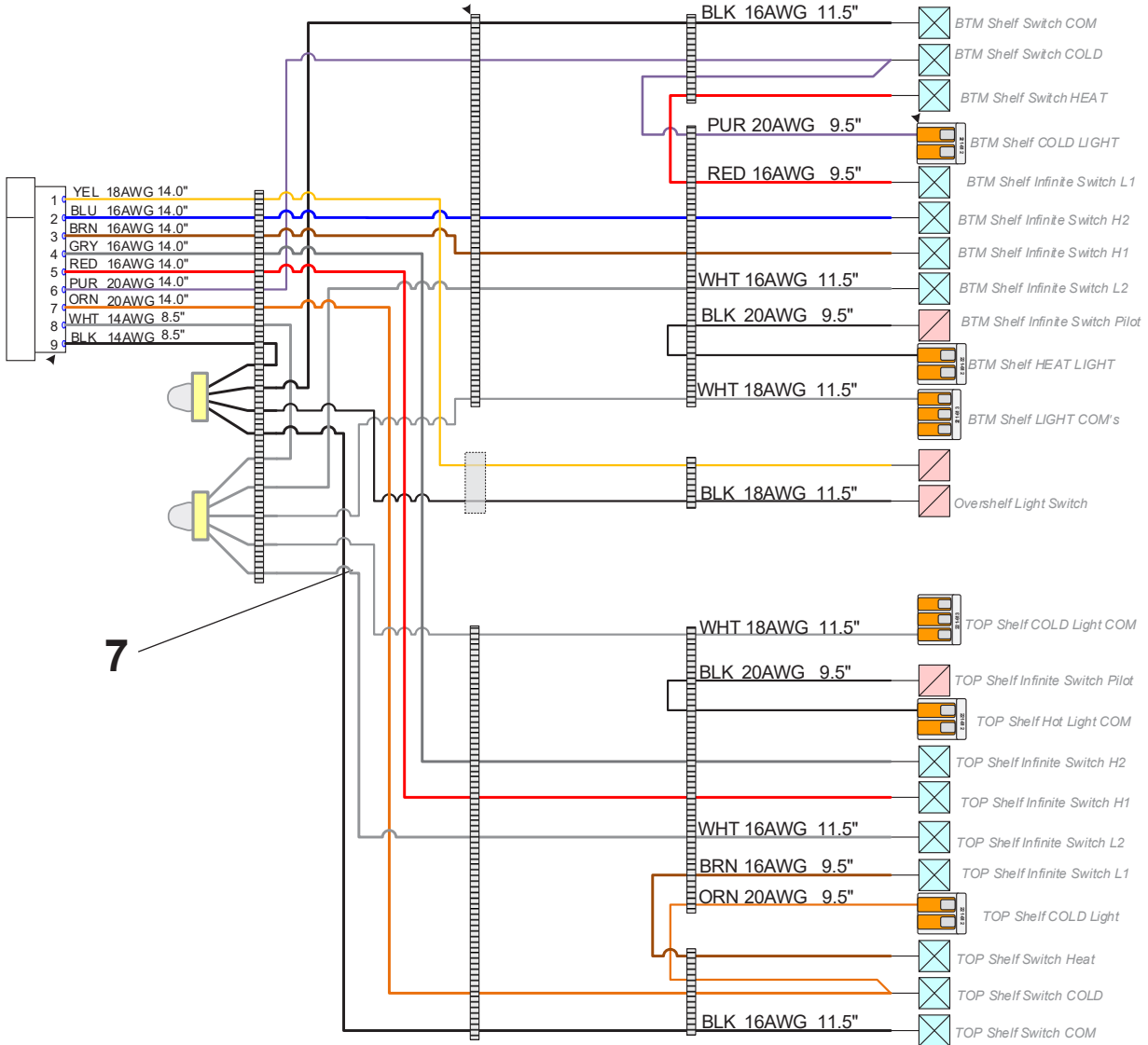
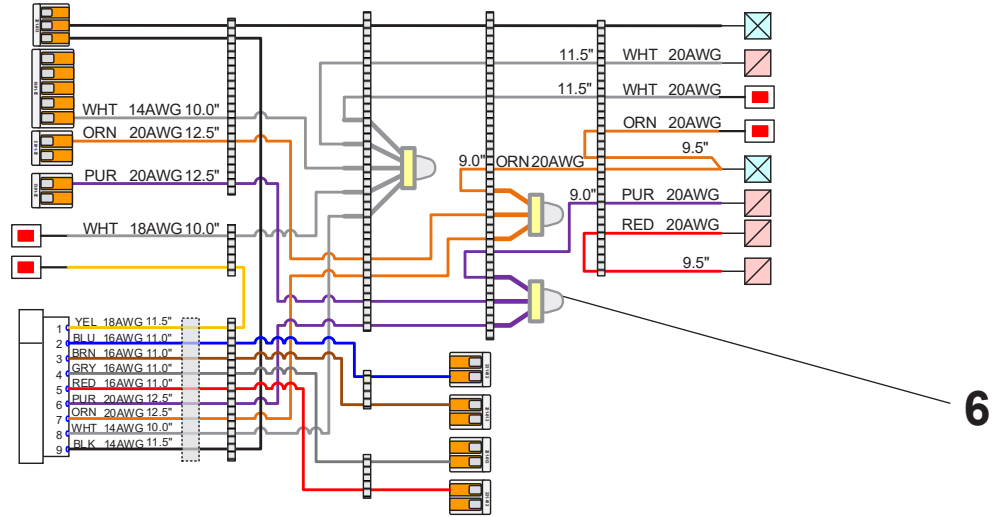


Item	Part #	Description
1	1124-0015	Weldment, Light Pnl
2	1124-0043	Asm, Thinstick Led
3	114017	Pad Heaters Silicone
4	158280	RTD,1000 Ohm Long
5	514966	Led, Mini Tubular li, 24v, 4000k, 8" (200mm), 2.4w, Cri90
	600596	Kit, L&S Driver conversion to HERA Replacement
6	514967	Led, Mini Tubular li, 24v, 4000k, 12" (300mm), 3.6w, Cri90
	600596	Kit, L&S Driver conversion to HERA Replacement
7	514972	Cord, Mini Tubular 2 lc 108"
	600596	Kit, L&S Driver conversion to HERA Replacement
8	ELC0687	Seoow, 16/3 Conductor, 105c, 600v, 66" Working Length
	ELC0688	Seoow, 16/3 Conductor, 105c, 600v, 120" Working Length

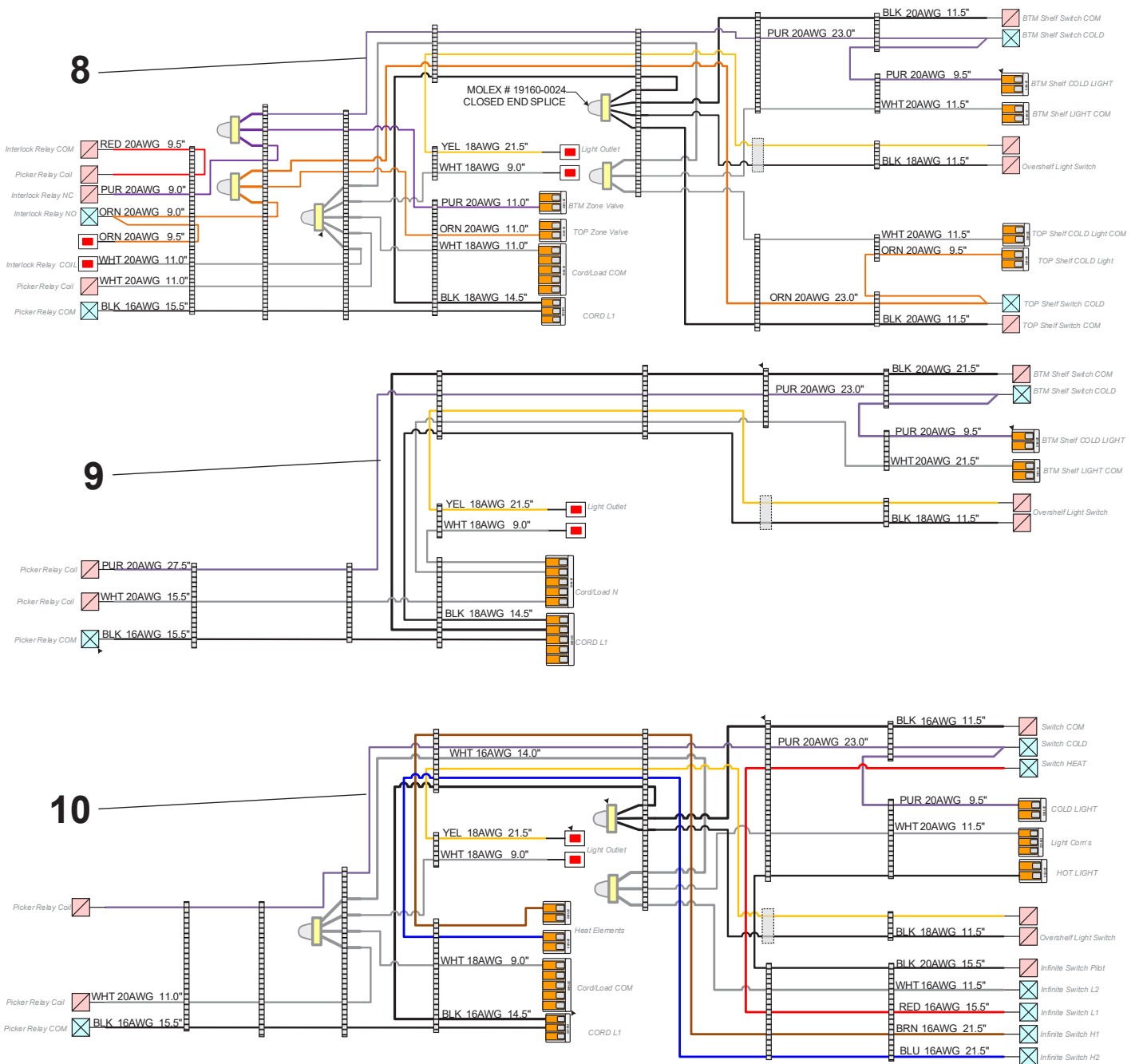
RECESSED HOT FROST WIRE HARNESS PART #'S



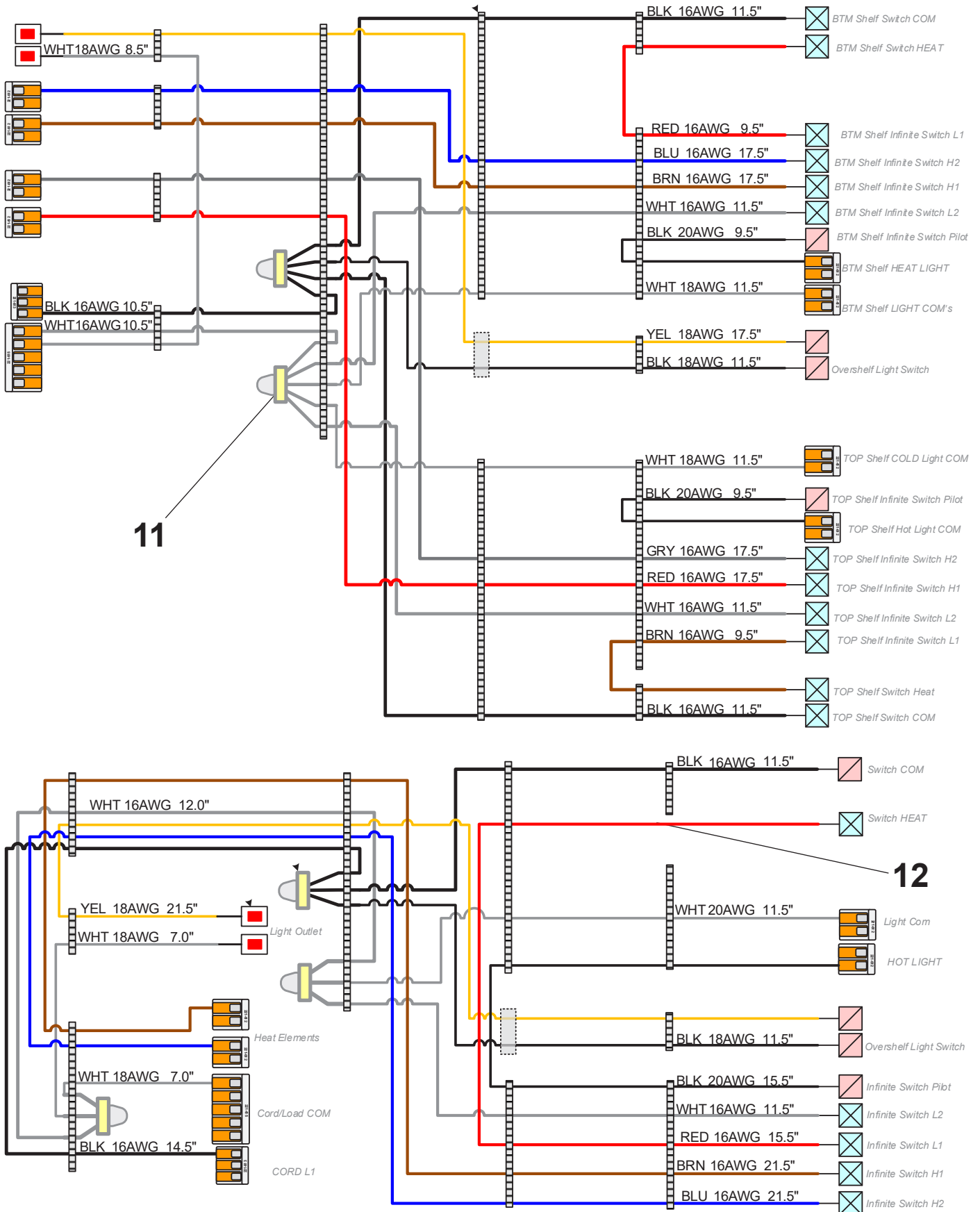
RECESSED HOT FROST WIRE HARNESS PART #'S



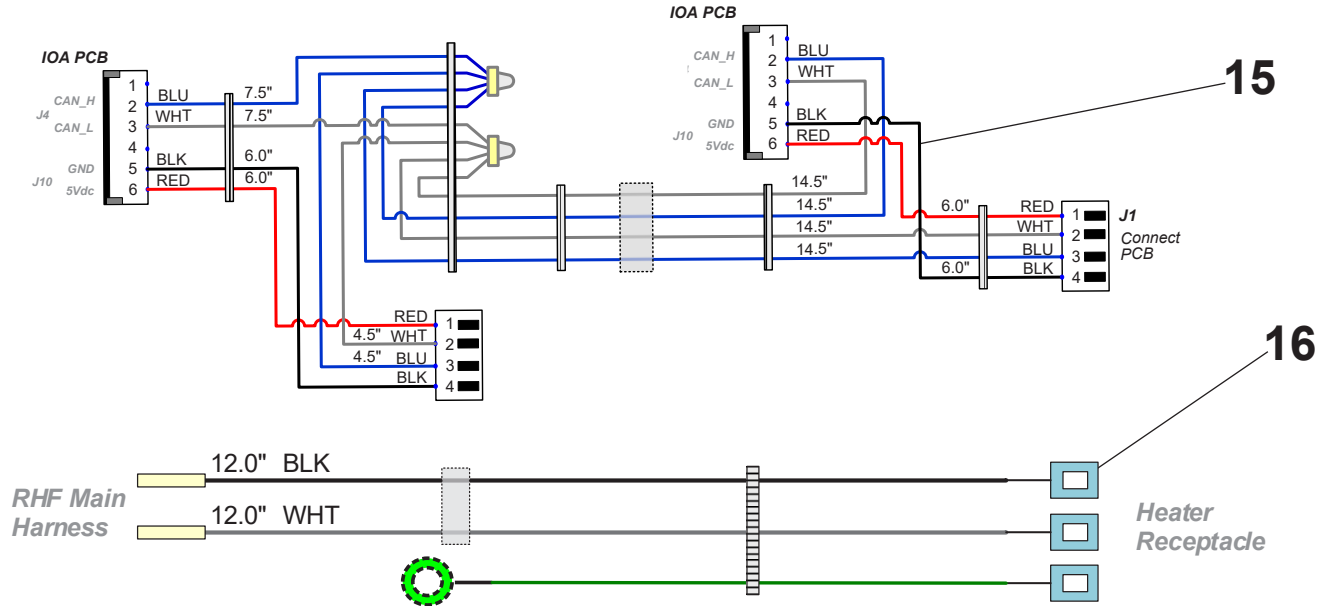
RECESSED HOT FROST WIRE HARNESS PART #'S



RECESSED HOT FROST WIRE HARNESS PART #'S







RECESSED HOT FROST WIRE HARNESS PART #'S

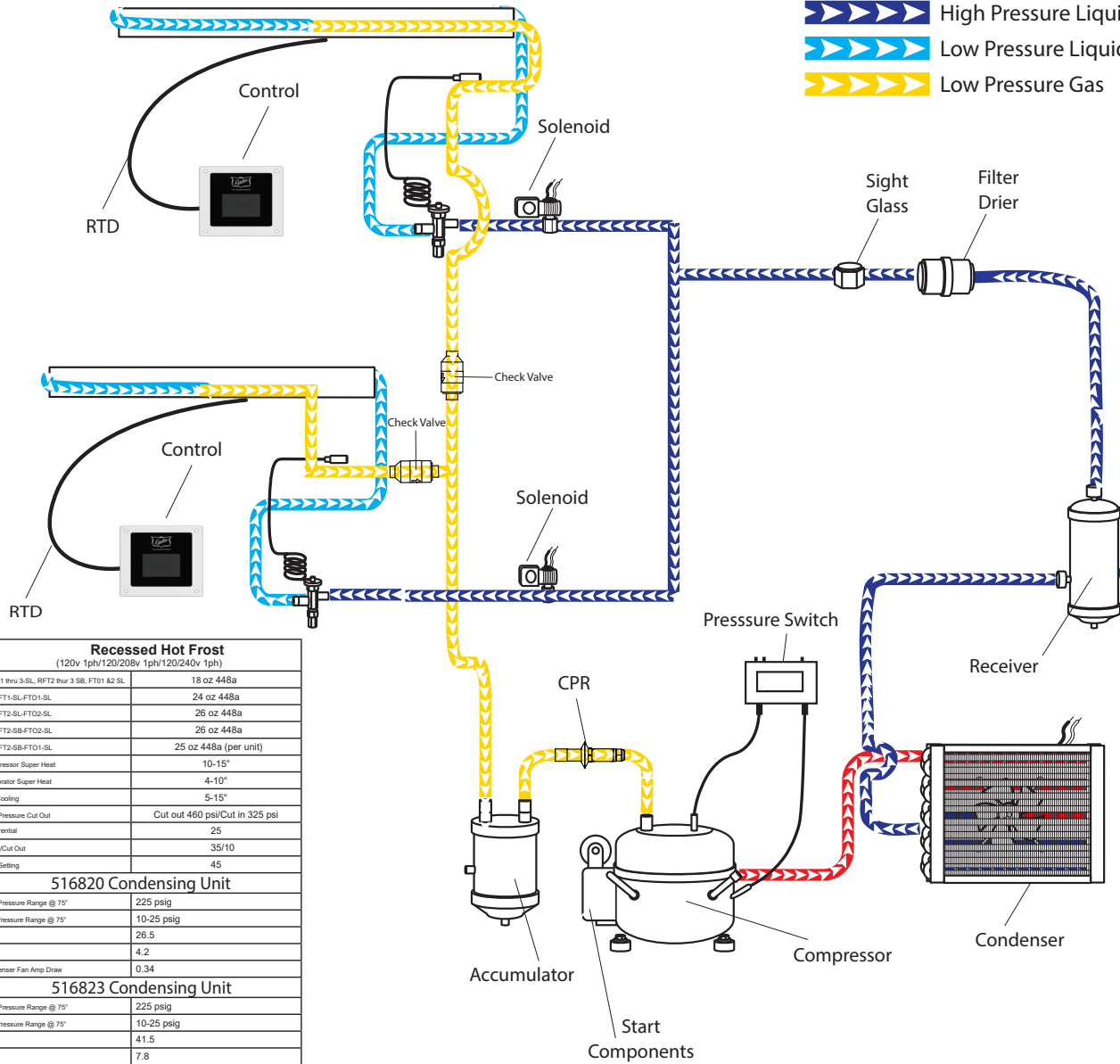


Item	Part #	Description
1	ELC0380	Jumper - Ioa Ssr Trigger
2	ELC0381	Jumper Pressure Switch - Cntl
3	ELC0543	Jumper - Ioa To Connect Pcb 9"
4	ELC0600	Harness - Can & Connect Hot Frost
5	ELC0621	Harness - Box To Ioc-G Pcb 48"
6	ELC0747	RHF - Full Service, Rear Main, Harness
7	ELC0748	RHF - Full Service, Front Main, Harness
8	ELC0749	RHF - Frost Top Duplex, Harness
9	ELC0752	RHF - Frost Top, Harness
10	ELC0753	RHF - Hot/Frost Top, Harness
11	ELC0754	RHF - Hot Top Duplex, Harness
12	ELC0755	RHF - Hot Top, Harness
13	ELC0571	Splice Connector, Wago 2-position, 20-10AWG
14	ELC0573	Splice Connector, Wago 5-position, 20-10AWG
15	ELC0600	Harness - Can & Connect Hot Frost
16	ELC0768	RHF - Receptacle Jumper

Recessed Hot Frost REFRIGERATION SYSTEM

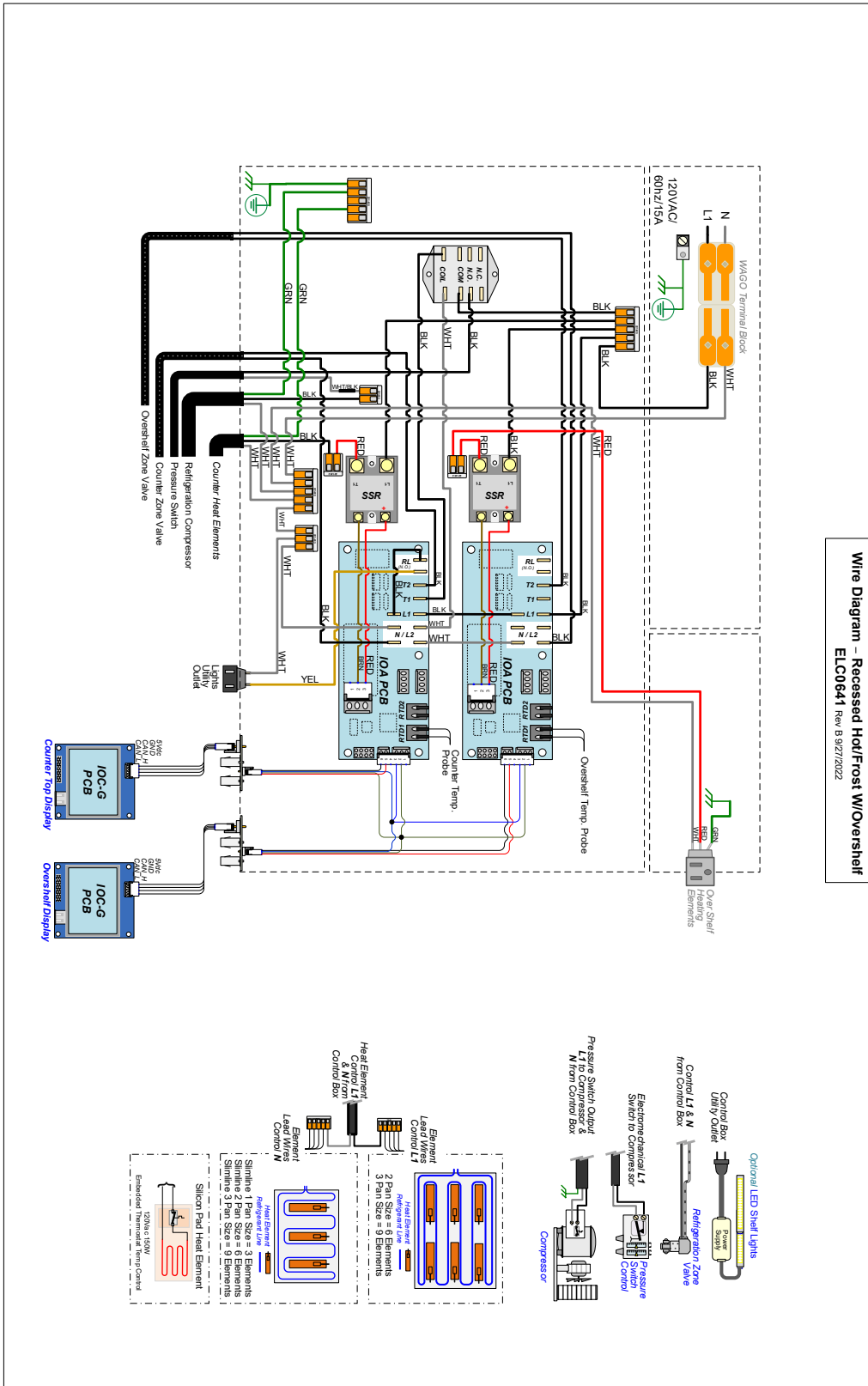
Line Guide

-  High Pressure Gas
-  High Pressure Liquid
-  Low Pressure Liquid
-  Low Pressure Gas

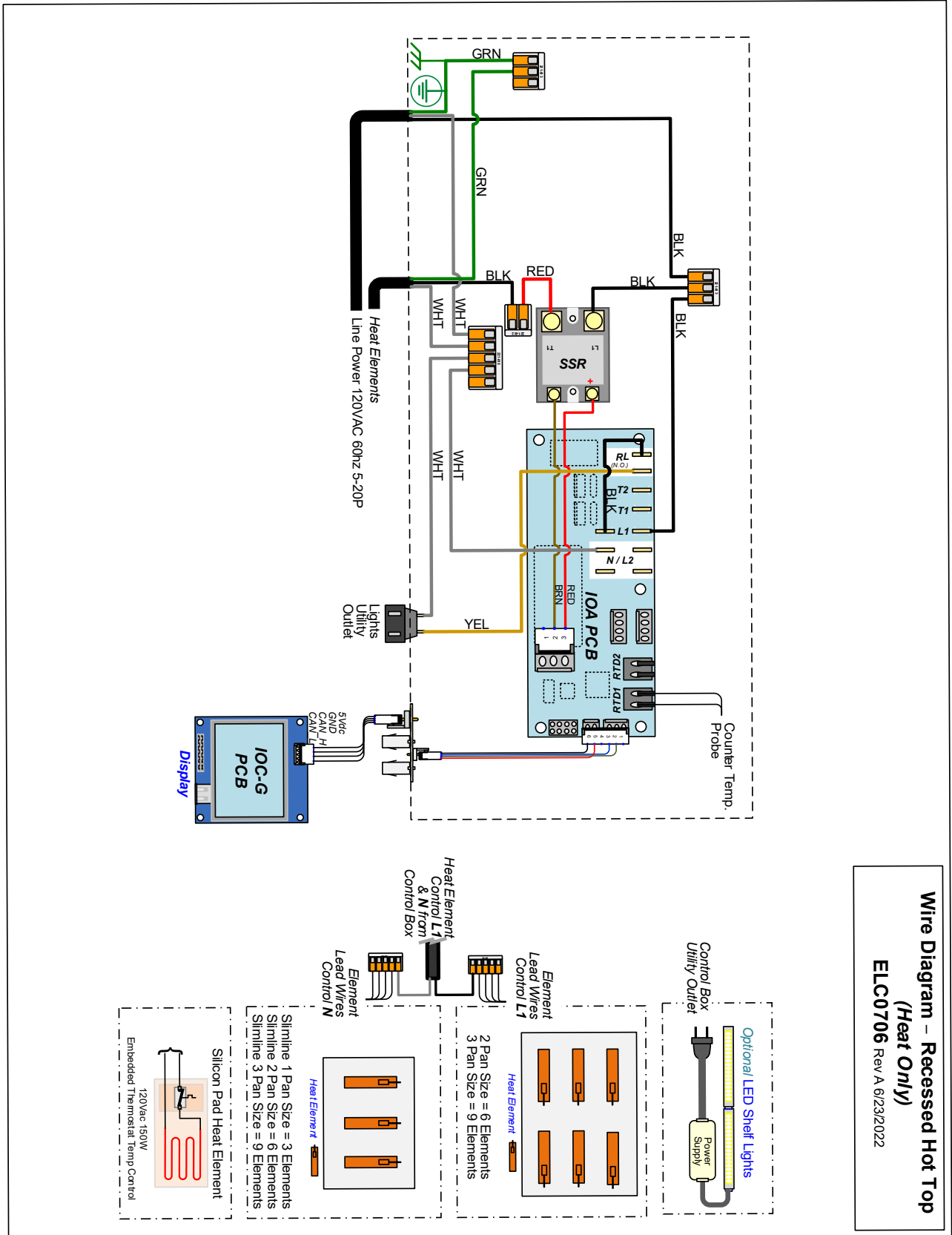


Recessed Hot Frost (120v 1ph/120/208v 1ph/120/240v 1ph)	
RHFT1 thru 3-SL, RFT2 thru 3-SB, FT01 82 SL	18 oz 448a
DE-RFT1-SL-FT01-SL	24 oz 448a
DE-RFT2-SL-FT02-SL	26 oz 448a
DE-RFT2-SB-FT02-SL	26 oz 448a
DE-RFT2-SB-FT01-SL	25 oz 448a (per unit)
Compressor Super Heat	10-15°
Evaporator Super Heat	4-10°
Sub Cooling	5-15°
High Pressure Cut Out	Cut out 460 psi/Cut In 325 psi
Differential	25
Cut In/Cut Out	35/10
CPR Setting	45
516820 Condensing Unit	
High Pressure Range @ 75°	225 psig
Low Pressure Range @ 75°	10-25 psig
LRA	26.5
RLA	4.2
Condenser Fan Amp Draw	0.34
516823 Condensing Unit	
High Pressure Range @ 75°	225 psig
Low Pressure Range @ 75°	10-25 psig
LRA	41.5
RLA	7.8
Condenser Fan Amp Draw	0.34
Heater Element w/250° fu limit	120v, 100 watts, .83amps
RTD	1000 ohm
Refrigeration Solenoid	120v

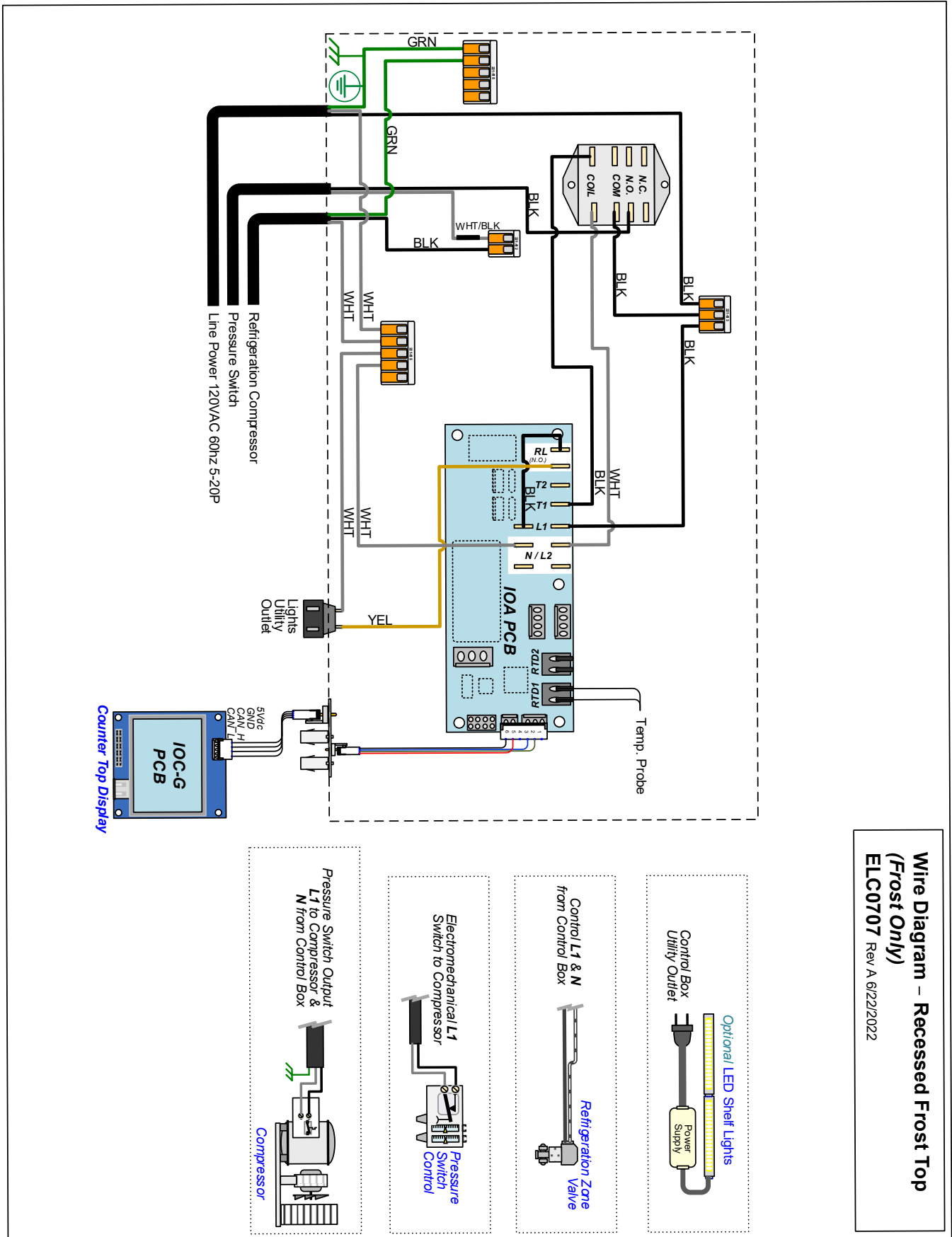
HOT/FROST W/OVERSHELF - WIRING DIAGRAM



HOT TOP (HEAT ONLY) - WIRING DIAGRAM

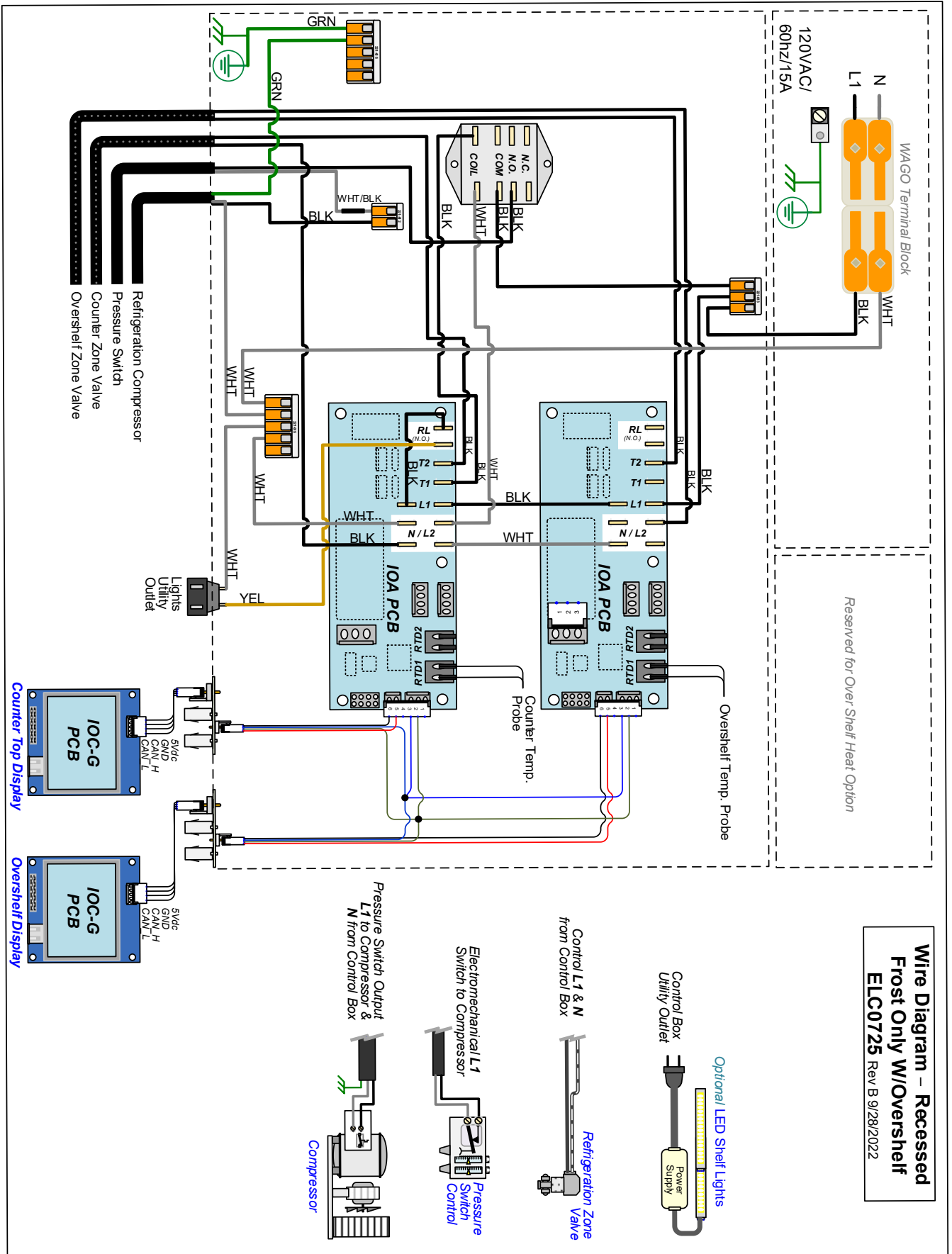


FROST TOP (FROST ONLY) - WIRING DIAGRAM



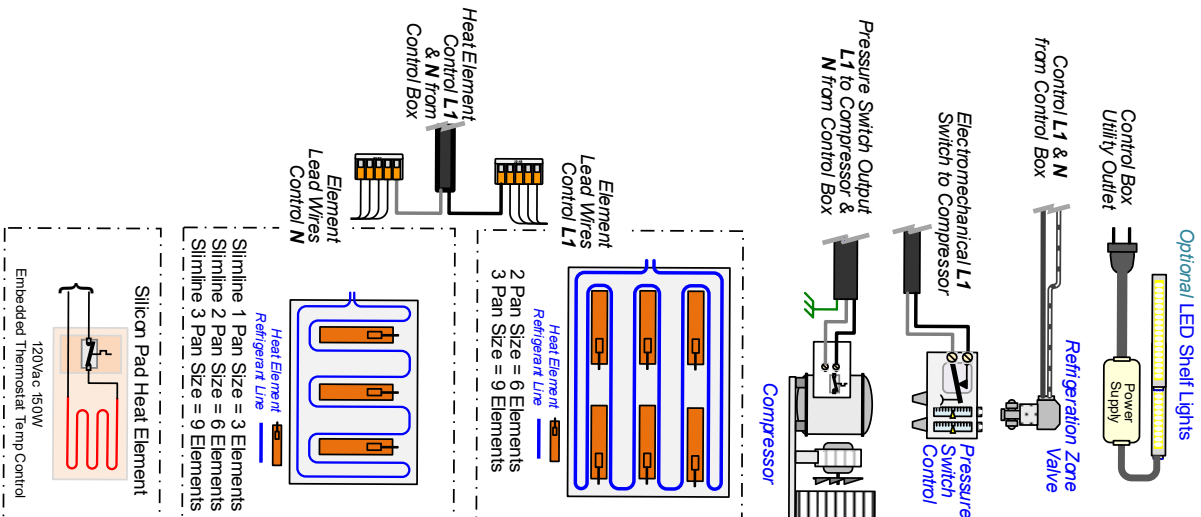
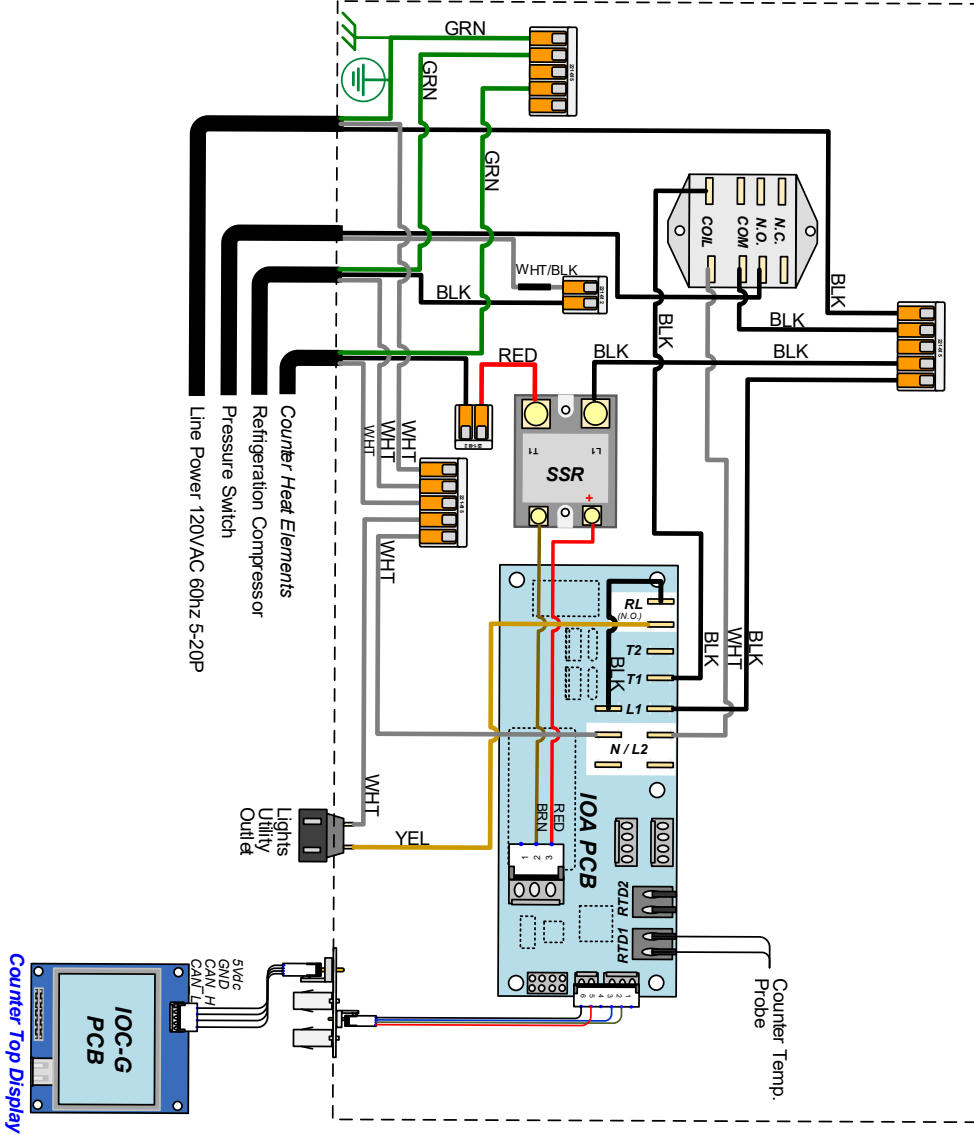
Wire Diagram – Recessed Frost Top (Frost Only)
ELC0707 Rev A 6/22/2022

FROST ONLY W/OVER SHELF - WIRING DIAGRAM

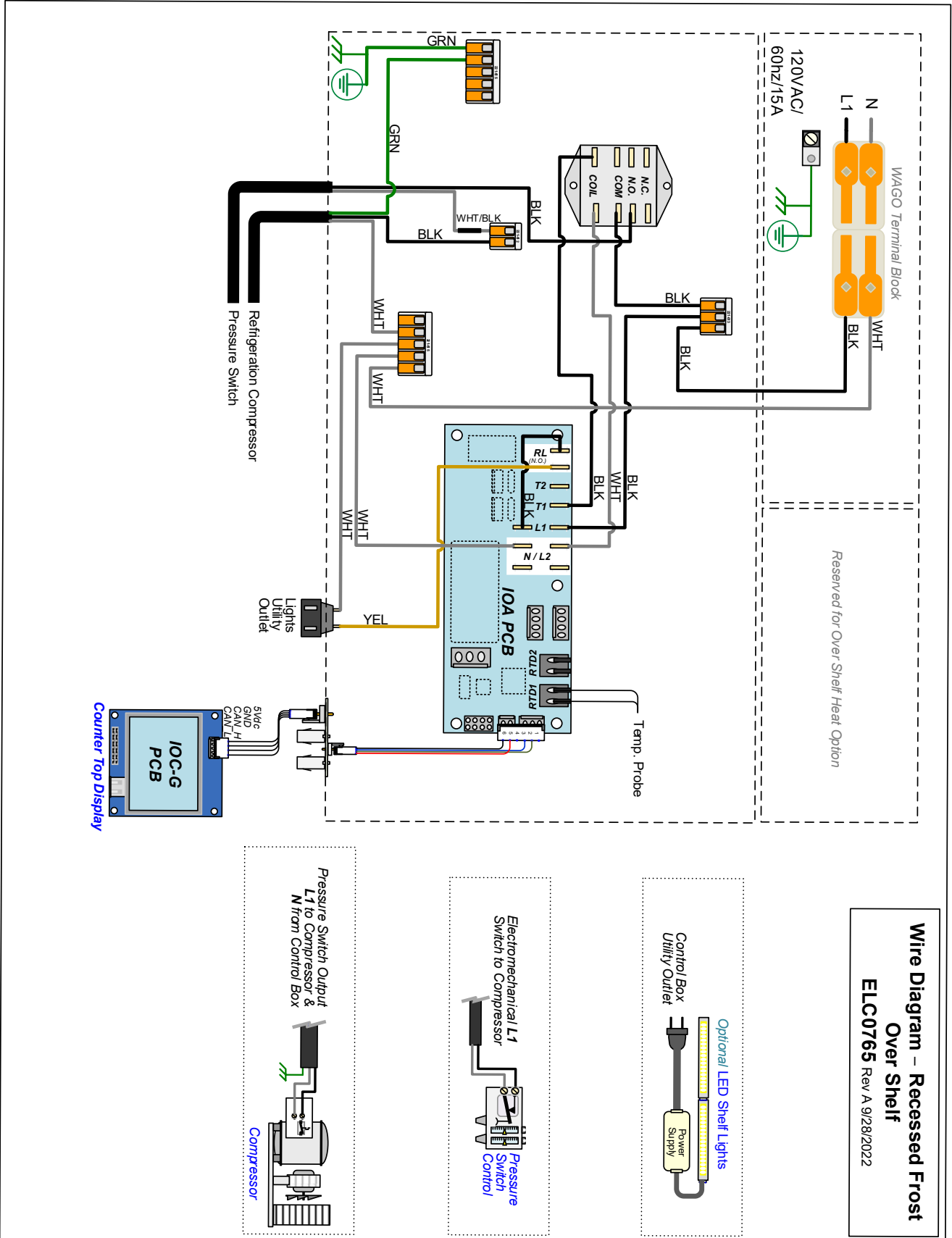


HOT FROST - WIRING DIAGRAM

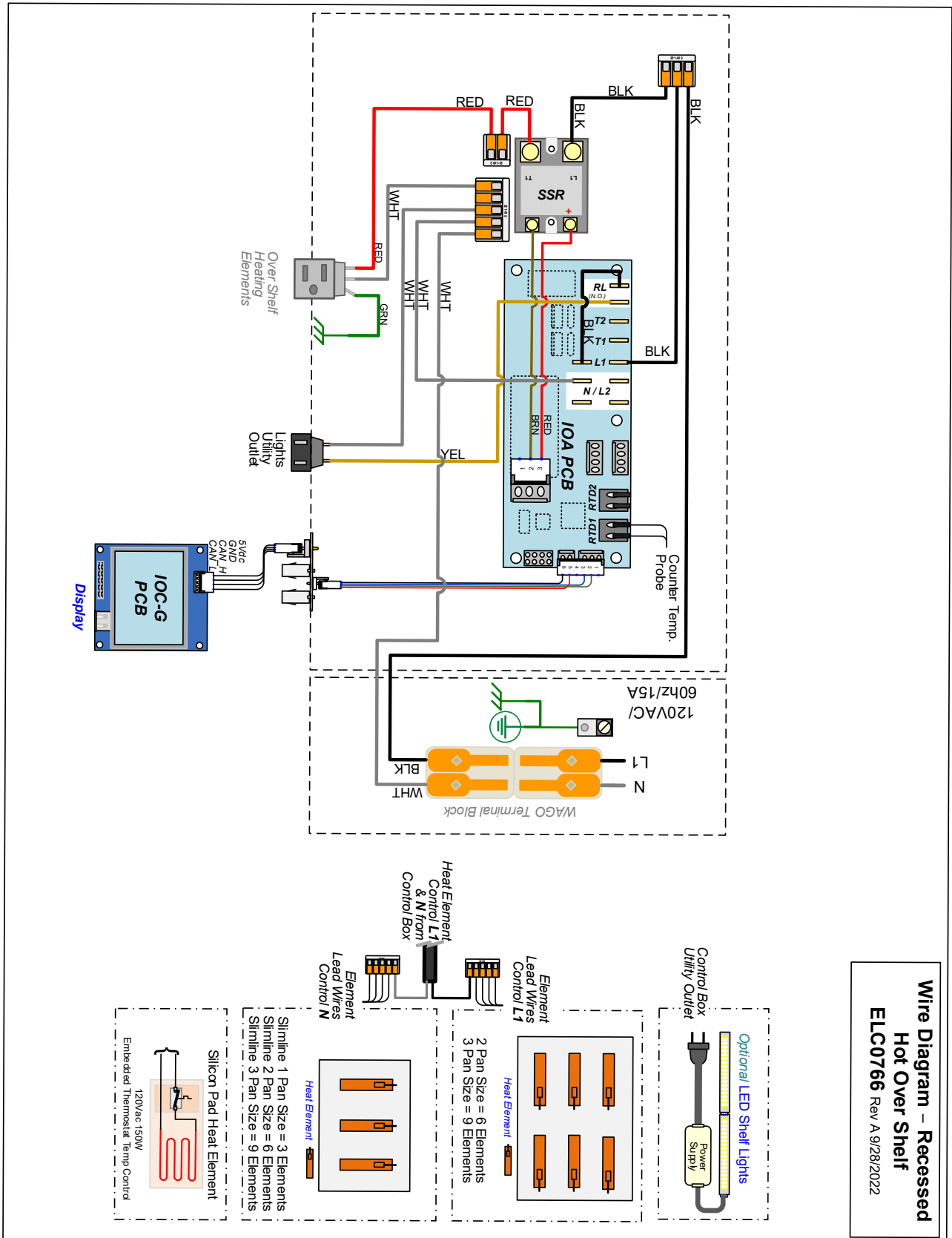
Wire Diagram - Recessed Hot/Frost
ELC0726 Rev A 6/23/2022



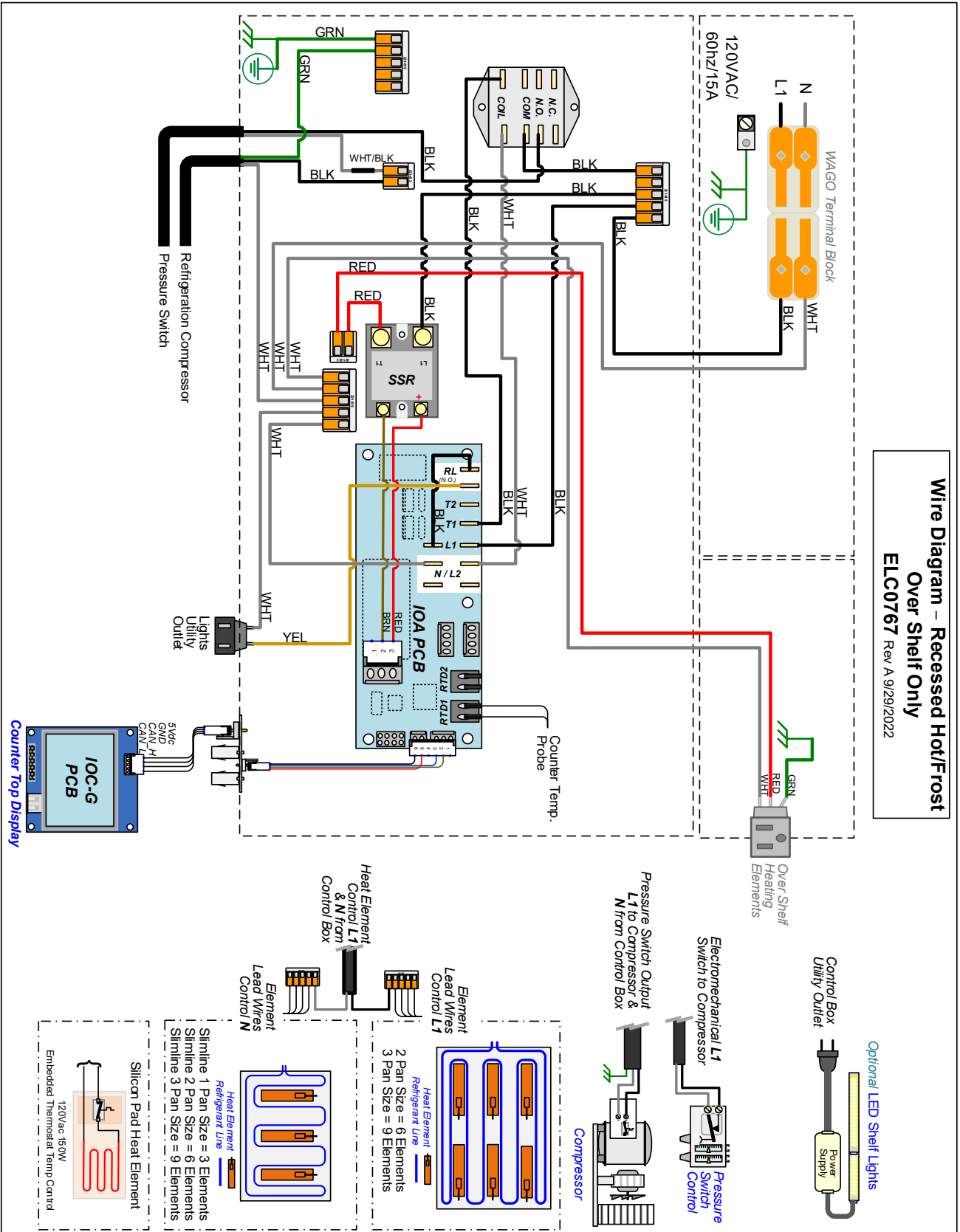
FROST OVER SHELF- WIRING DIAGRAM



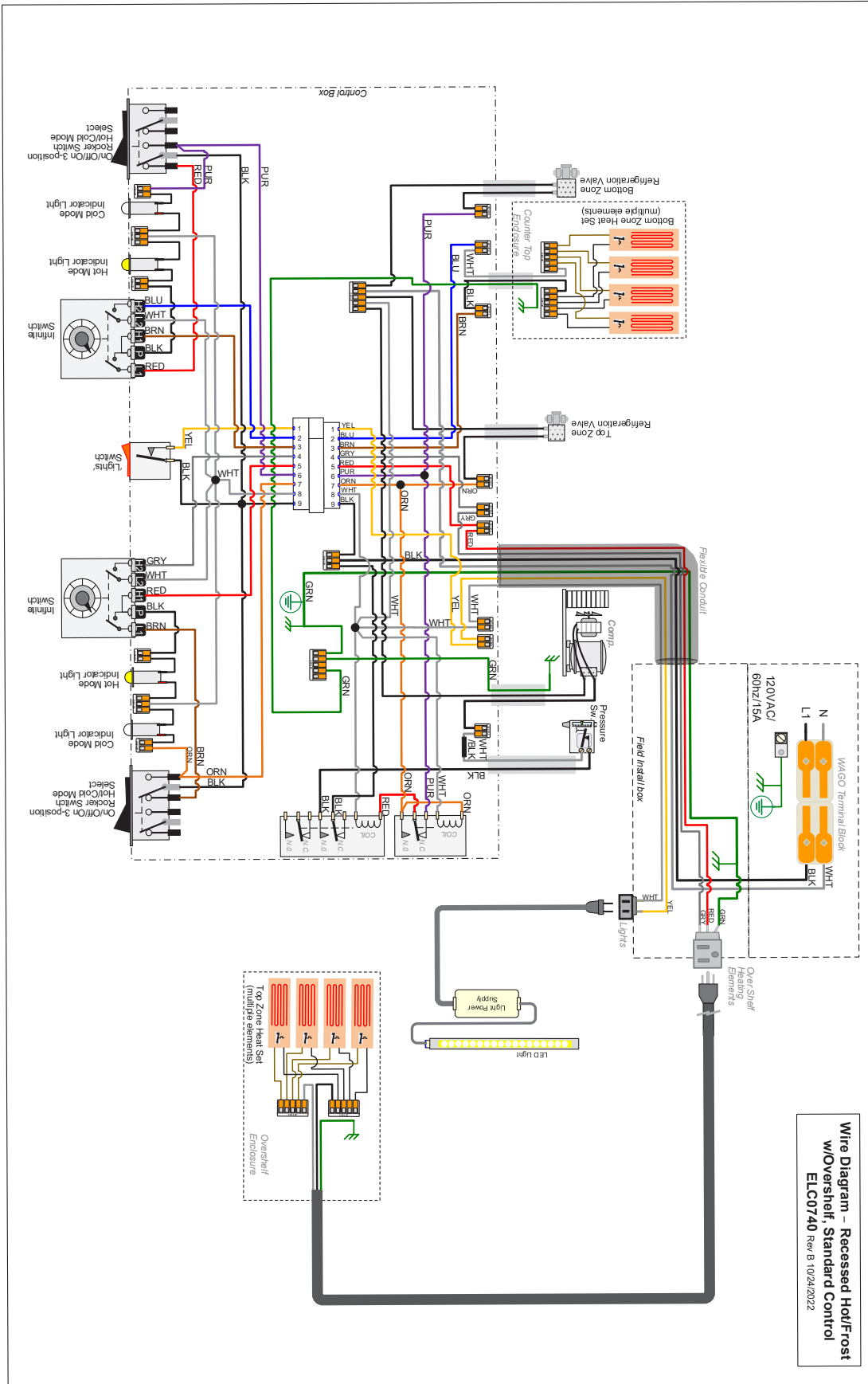
HOT OVER SHELF (HEAT ONLY) - WIRING DIAGRAM



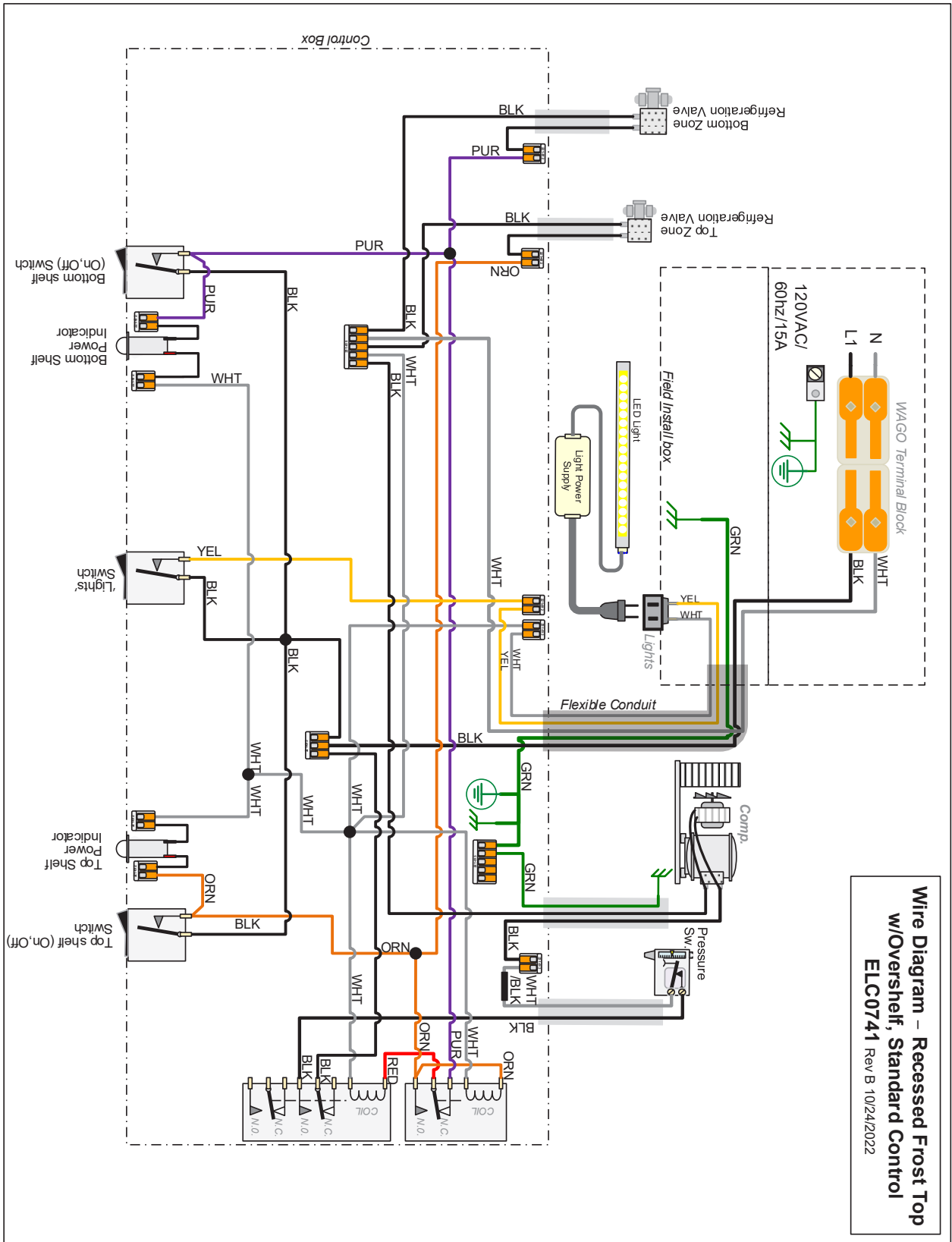
HOT FROST OVER SHELF - WIRING DIAGRAM



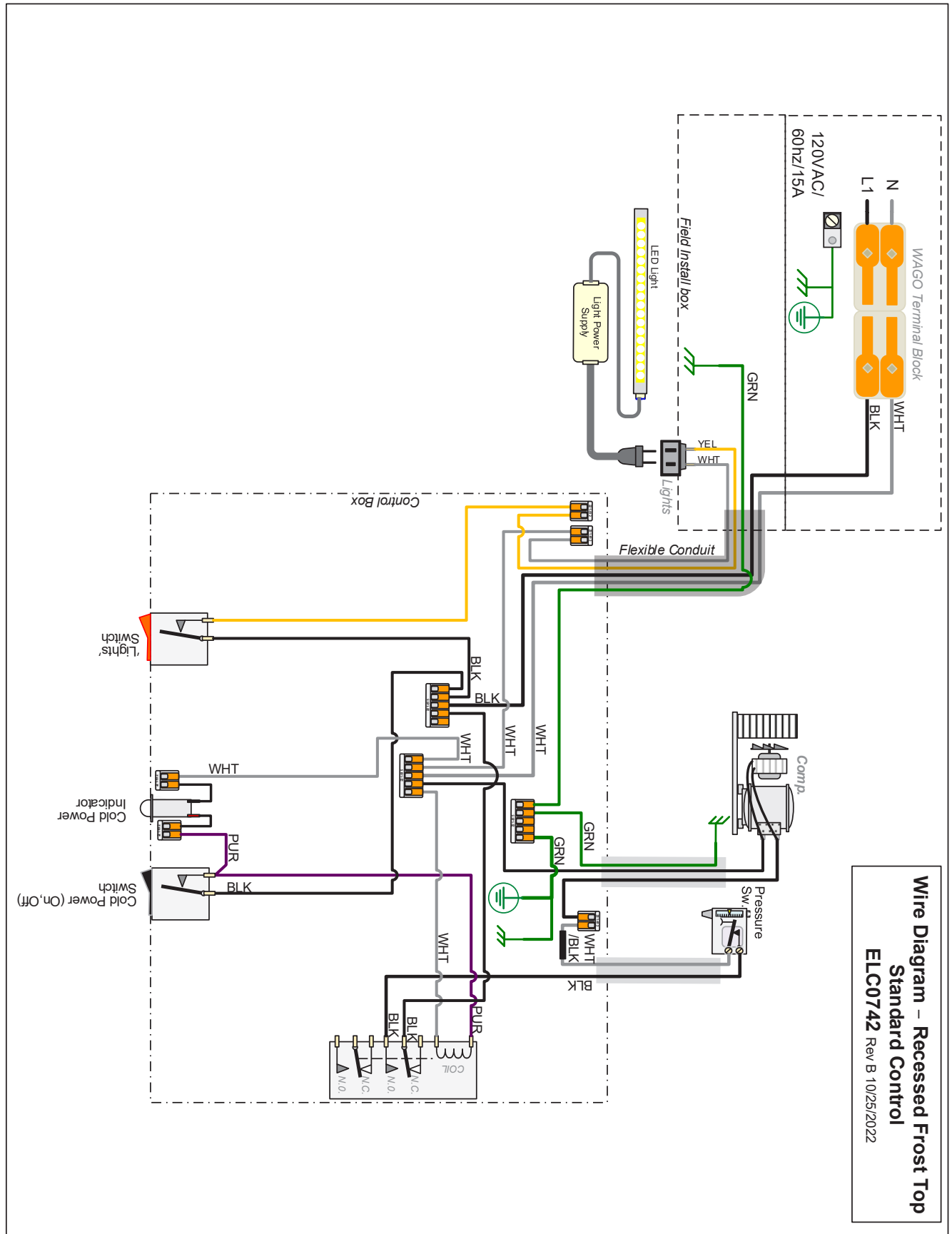
HOT FROST W/OVERSHELF, BC- WIRING DIAGRAM



FROST TOP W/OVERSHELF, BC- WIRING DIAGRAM

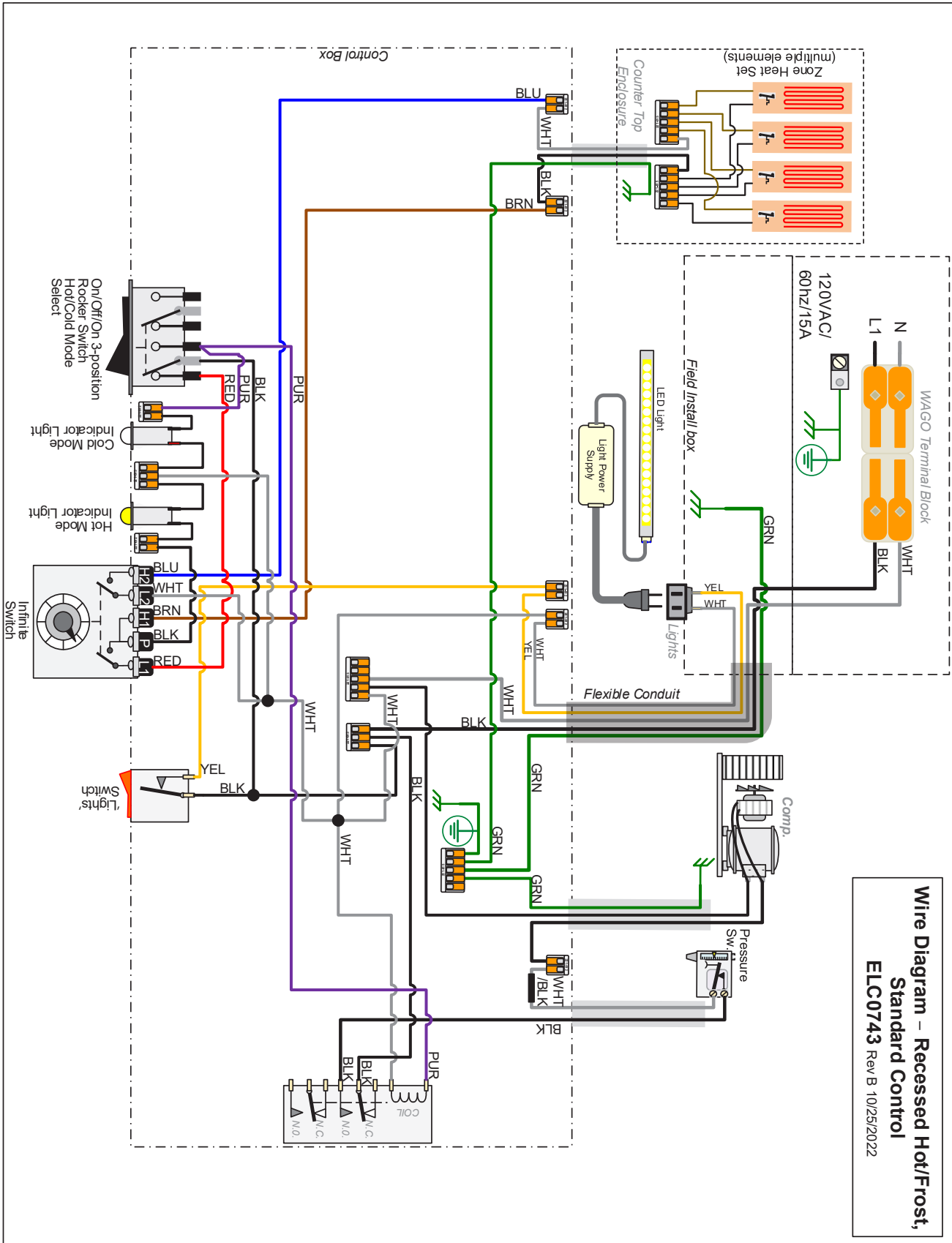


FROST TOP, BC - WIRING DIAGRAM



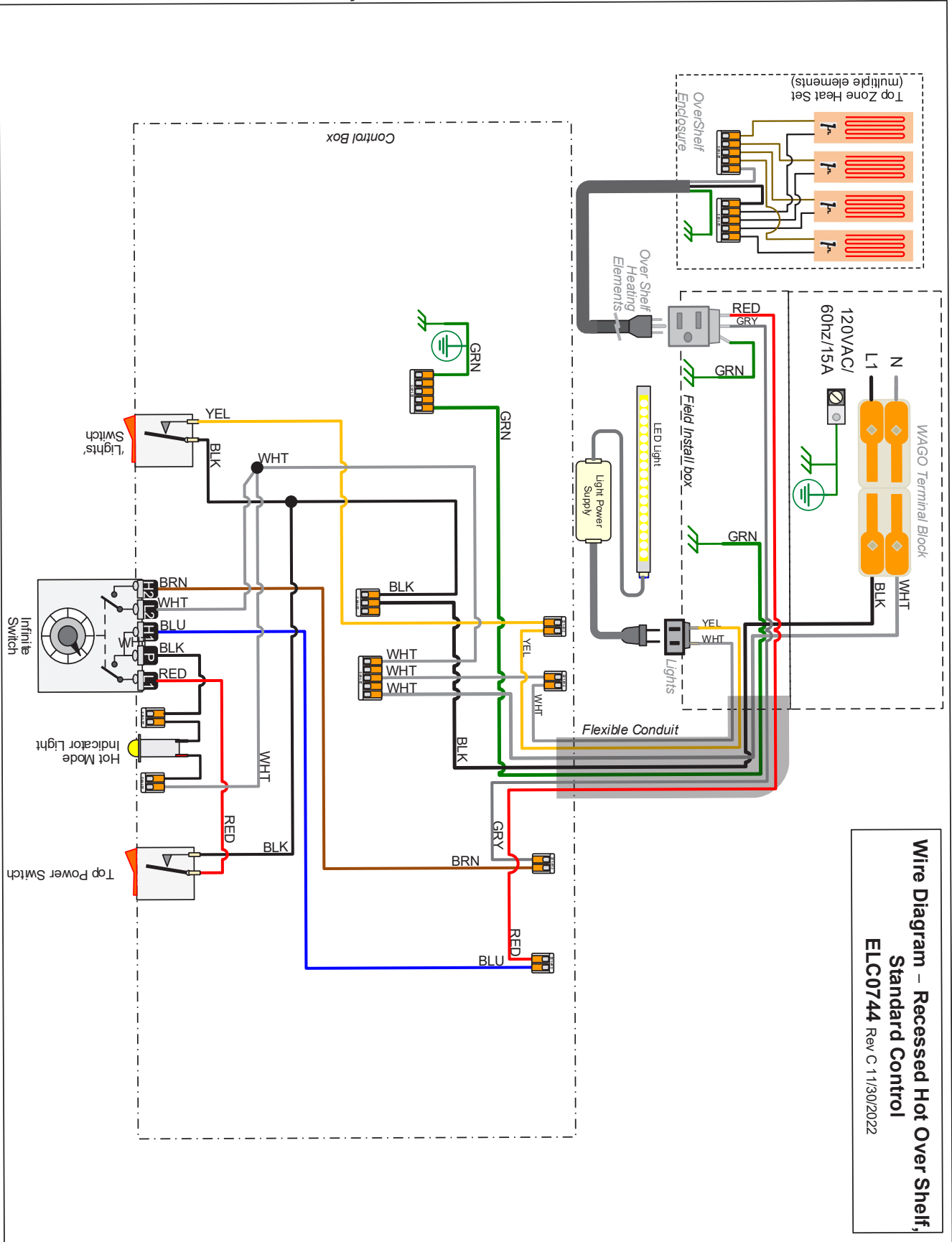
Wire Diagram - Recessed Frost Top
Standard Control
 ELC0742 Rev B 10/25/2022

HOT TOP, BC - WIRING DIAGRAM



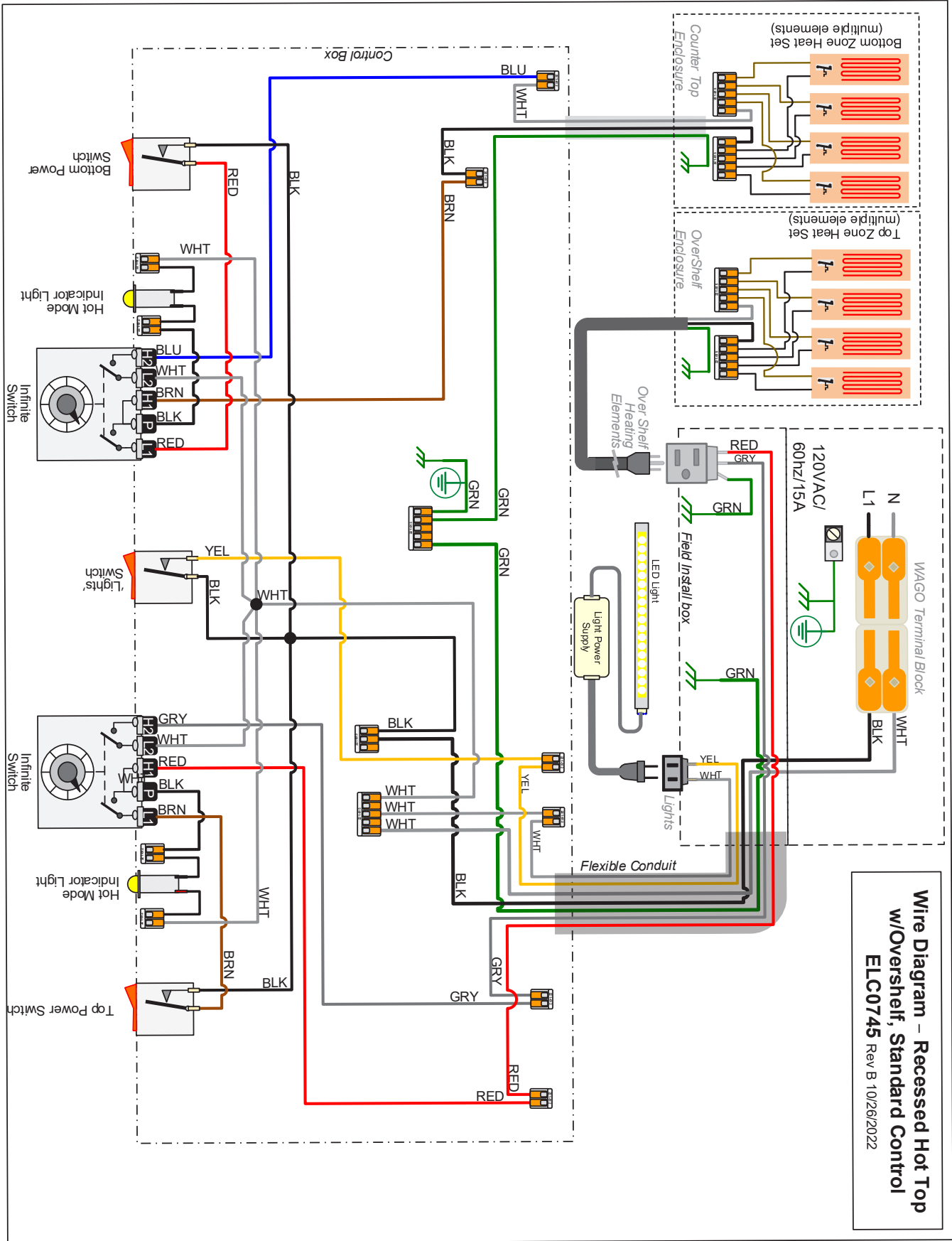
**Wire Diagram - Recessed Hot/Frost,
Standard Control**
ELC0743 Rev B 10/25/2022

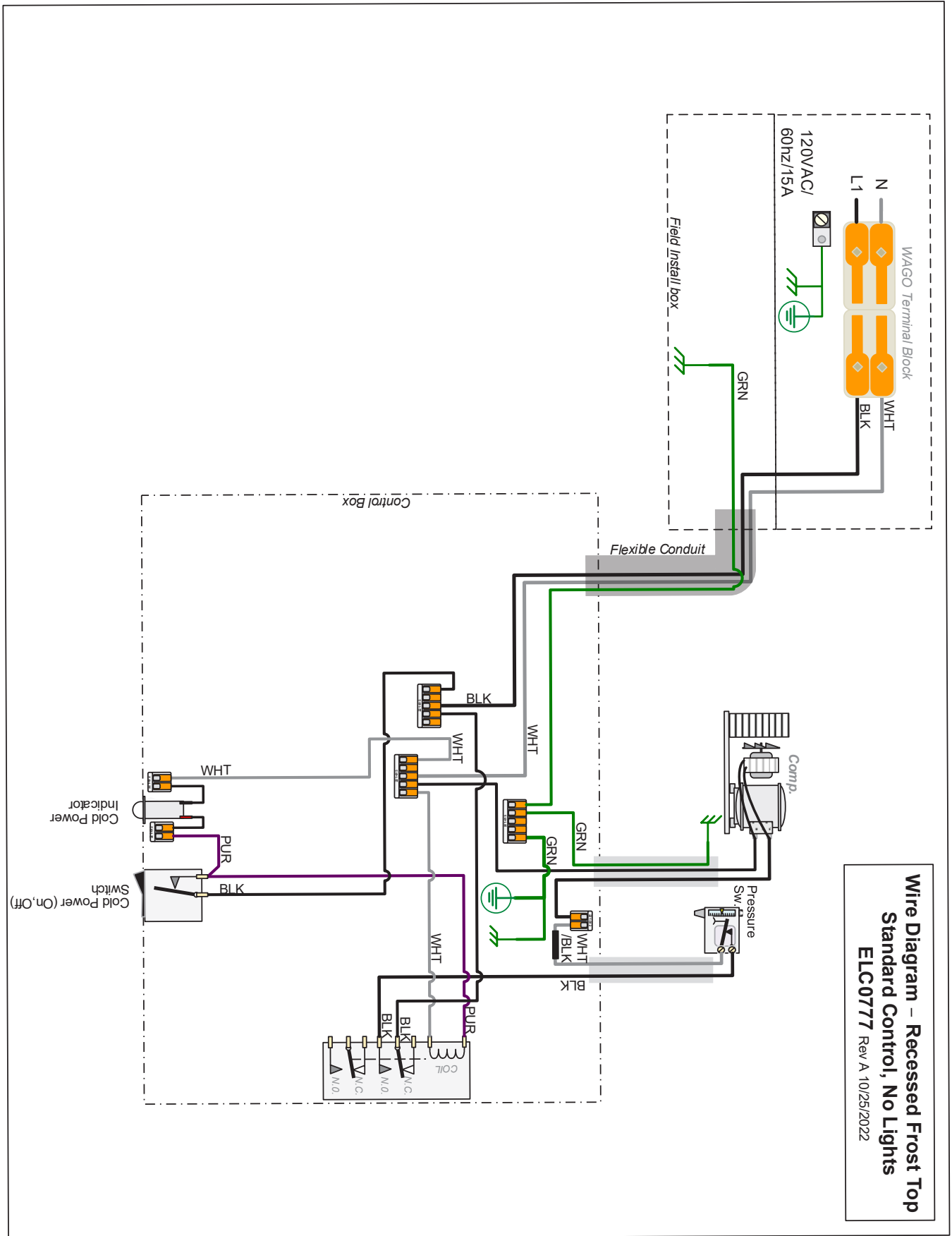
HOT TOP, BC - WIRING DIAGRAM

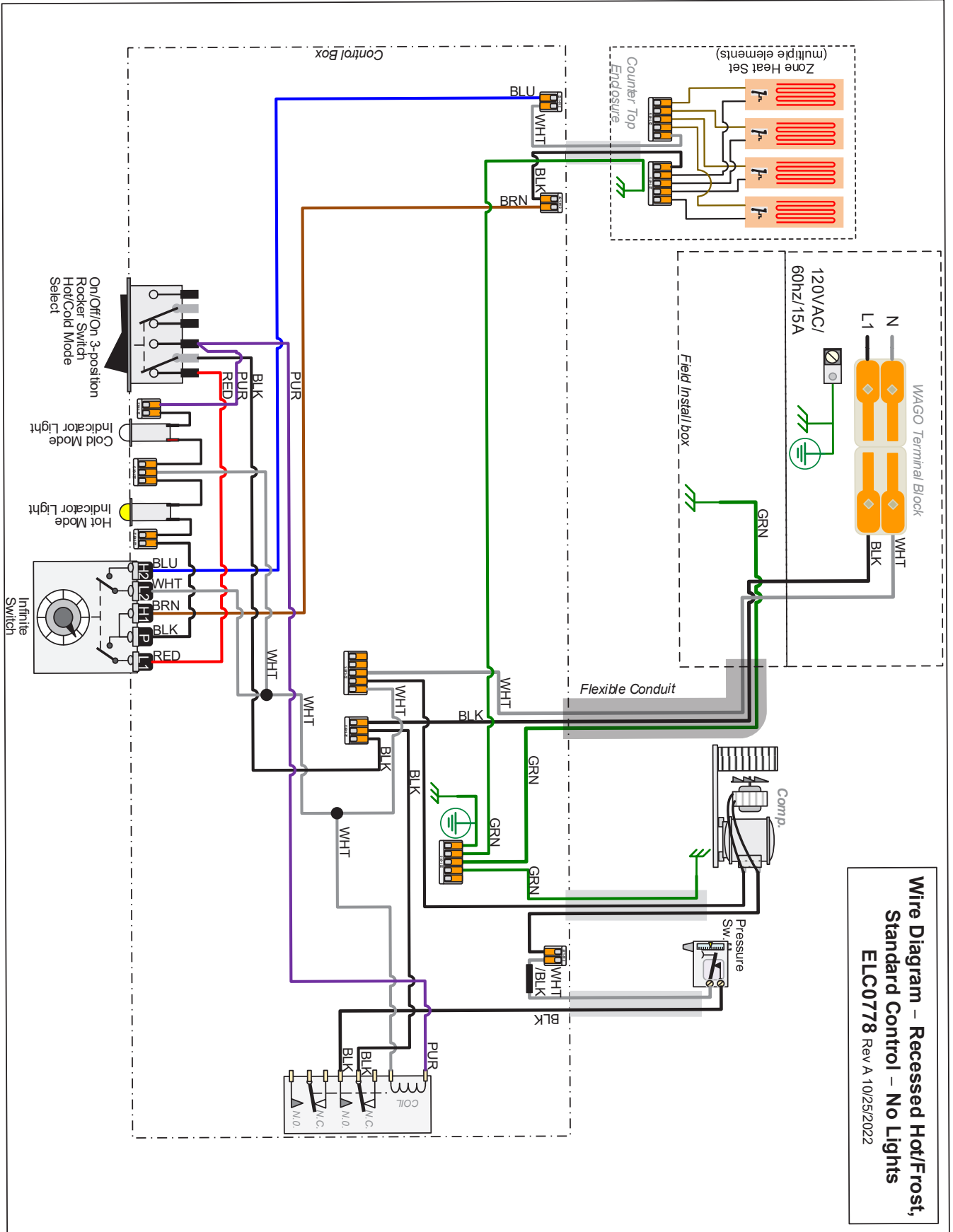


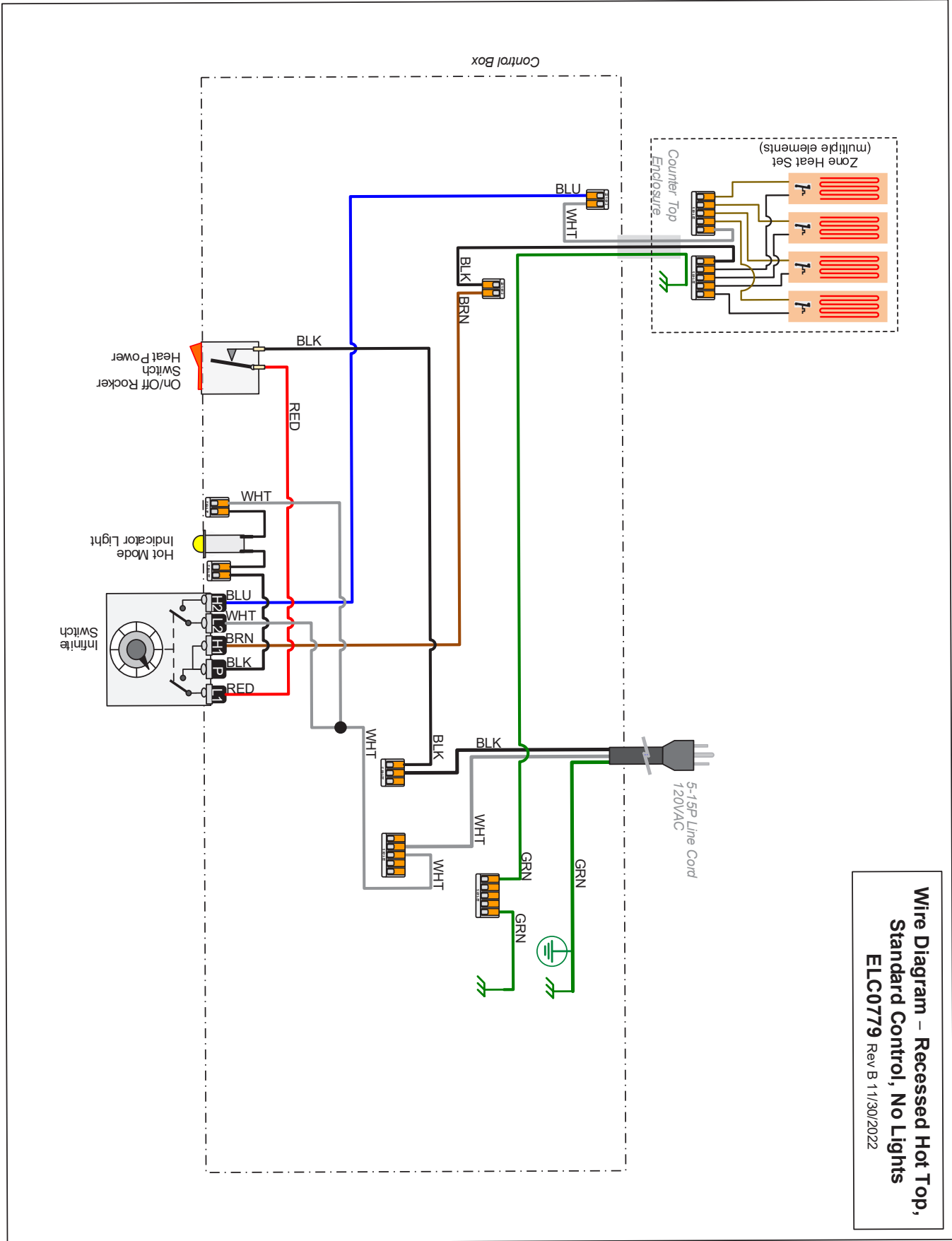
Wire Diagram - Recessed Hot Top Over Shelf, Standard Control
ELC0744 Rev C 11/30/2022

HOT TOP W/OVERSHELF, BC - WIRING DIAGRAM









Wire Diagram – Recessed Hot Top,
Standard Control, No Lights
ELC0779 Rev B 11/30/2022

Notes



Duke Manufacturing Co.
2305 N. Broadway
St. Louis, MO 63102

Phone: 314-231-1130
Toll Free: 1-800-735-3853
Fax: 314-231-5074

www.dukemfg.com