

EC-(10,12) TW WITH S-30 STAND

 EC-10 TW with S-30 Stand

 EC-12 TW with S-30 Stand


STANDARD CONSTRUCTION SPECIFICATIONS

The Crown Model EC-(10,12)TW self generating electric kettle, with optional S-30 stand, all stainless construction open type equipment stand with removable sliding shelf, 1-1/4" square tubular frame, with four (4) adjustable flanged feet for floor anchoring.

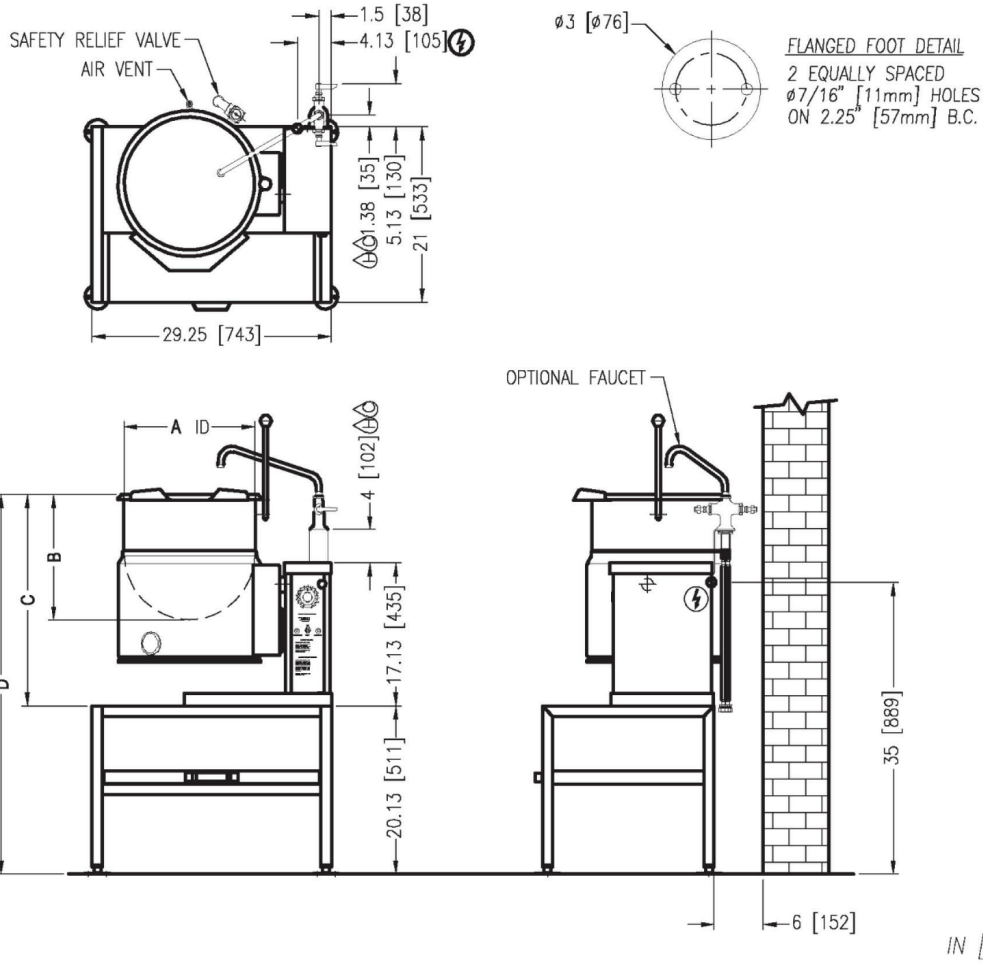


Approval Notes: _____

Models: EC-10 TW with S-30 Stand EC-12 TW with S-30 Stand

EC-10, 12TW-S30

DIMENSIONS ARE IN INCHES [MM]



8506RD

SERVICE CONNECTIONS

- ELECTRICAL CONNECTION to be as specified on data plate
- COLD WATER: Compression fittings for 5/8" O.D. copper tubing or 1/2 NPSM Male
- HOT WATER: Compression fittings for 5/8" O.D. copper tubing or 1/2 NPSM Male

DIMENSIONS

MODEL	CAPACITY	UNITS	A	B	C	D	SHIPPING WEIGHT WITH STAND	MINIMUM CLEARANCE		
								R.H. SIDES	L.H. SIDES	BACK
EC-10TW	10 Gallons (38 liters)	INCHES (MM)	16" (406)	15" (381)	25.31" (643)	45.5" (1156)	225 lbs. (102 kg)	0	3 (76)	2 (51)
EC-12TW	12 Gallons (45 liters)	INCHES (MM)		17" (432)	27.31" (694)	47.5" (1207)				

**INTENDED FOR COMMERCIAL USE ONLY.
NOT FOR HOUSEHOLD USE.**

