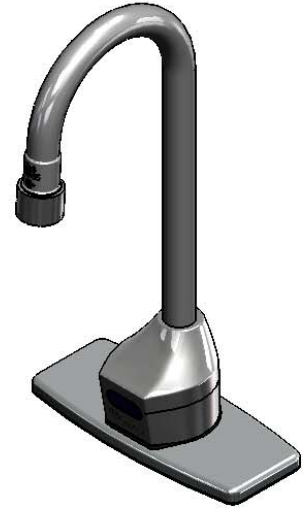
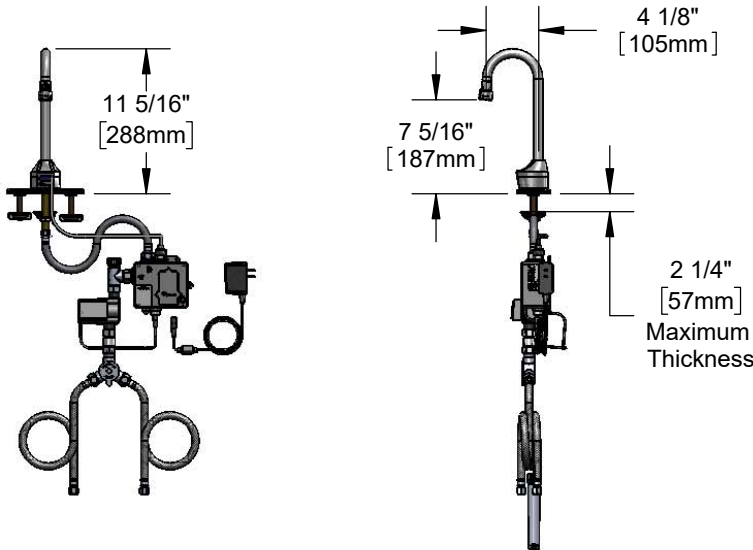




Architect/Engineering Specifications:

Single hole deck mount electronic sensor faucet with polished chrome plated brass body and 4 1/8" rigid gooseneck, 2.2 GPM vandal resistant aerator, 4" centerline deck plate, AC/DC control module with internal flow control setting switches, temperature control mixing valve with check valves, hydro-generator power supply and 18" flexible stainless steel supply hoses with 3/8" compression connections. Certified to ASME A112.18.1/CSA B125.1, NSF 61-Section 9, NSF 372 and UL 1951. Meets ADA ANSI/ICC A117.1 requirements.

Job Name _____
Model Specified _____ Quantity _____
Variations Specified _____
Date _____



Features & Benefits:

- Single hole deck mount w/ polished chrome plated brass body
4 1/8" rigid gooseneck
2.2 GPM vandal resistant aerator, Series 6 (B-0199-06)
4" centerline deck plate w/ gasket & hardware
Water resistant control module w/ internal flow control switches for adjusting auto time out & shut off delay settings
Optional auto flush feature flows water for 30 seconds after every 12 inactive hours
Hydro-generator power supply
(4) AA battery (DC) power option
Mechanical temperature mixing valve w/ check valves
18" flexible stainless steel supply hoses w/ 3/8" compression connections
Low battery LED indicator light
Material: Polished chrome plated brass body & tubular spout

Product Compliance:

- ASME A112.18.1 / CSA B125.1
NSF 61 - Section 9
NSF 372 (Low Lead Content)
ANSI A117.1 (ADA)
UL 1951



Warranty: Three Year (Limited)



Performance Data:

- Pressure: 20 - 125 psi
Temperature: 40 °F - 140 °F
Flow Rate: 2.2 GPM @ 60 psi
Water Consumption: @ 10 sec=.37 gal @ 15 sec=.55 gal



Optional Outlets (Series 1 / VR Series 6)

Table with columns: GPM, Aerated, Non-Aerated (Laminar), VR Aerated, VR Non-Aerated (VR Laminar), and Optional Deck Plates. Lists various outlet options and deck plate sizes.

