



Job: _____ Item# _____



EC-6TW-2_SD-48

EC-6TW-2 WITH SD-48 STAND

EC-6TW-2 with SD-48



STANDARD CONSTRUCTION SPECIFICATIONS

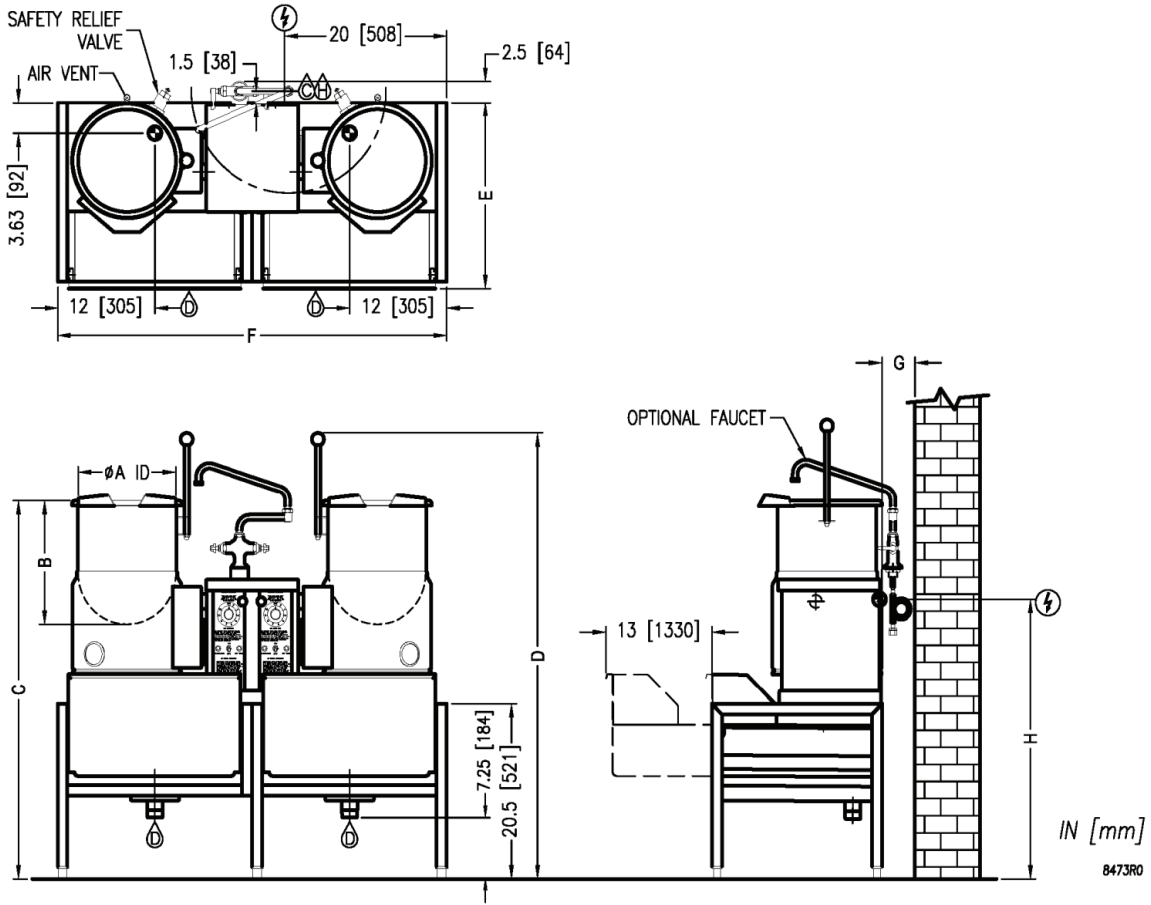
Crown model **EC-6TW-2** twin counter kettle with optional **SD-48** open type equipment stand with two drawers.

All stainless steel construction 1-1/4" square tubular frame with six (6) adjustable flanged feet to floor anchor with removable drain drawer with roller action slides, high front splash shield, removable splash diffusing drawer bottom for added splash control and stationary drain connection (one for each drawer).



Approval Notes: _____

DIMENSIONS ARE IN INCHES [MM]



SERVICE CONNECTIONS

- ELECTRICAL CONNECTIONS: TO BE SPECIFIED ON DATA PLATE
- COLD WATER: 3/8" O.D tubing to faucet (OPTIONAL)
- HOT WATER: 3/8" O.D tubing to faucet (OPTIONAL)
- DRAIN: 1-1/2" NPTM piped to open floor drain. No solid connection.

SPECIFICATIONS

MODEL	CAPACITY	UNITS	A	B	C	D	E	F	G	H	SHIPPING WT	MIN. CLEARANCE		
												L.H.	R.H.	BACK
EC-6TW-2 with SD-48	6 gallons 23 litres	inches mm	12 (305)	14.5 (368)	44.38 (1127)	52.38 (1330)	21.75 (552)	48 (1219)	4.13 (105)	32.75 (832)	350 lbs (159 kg)	0	0	4.13 (105)

**INTENDED FOR COMMERCIAL USE ONLY.
NOT FOR HOUSEHOLD USE.**

