

EC-6TW WITH S-24 STAND

 EC-6TW with S-24


STANDARD CONSTRUCTION SPECIFICATIONS

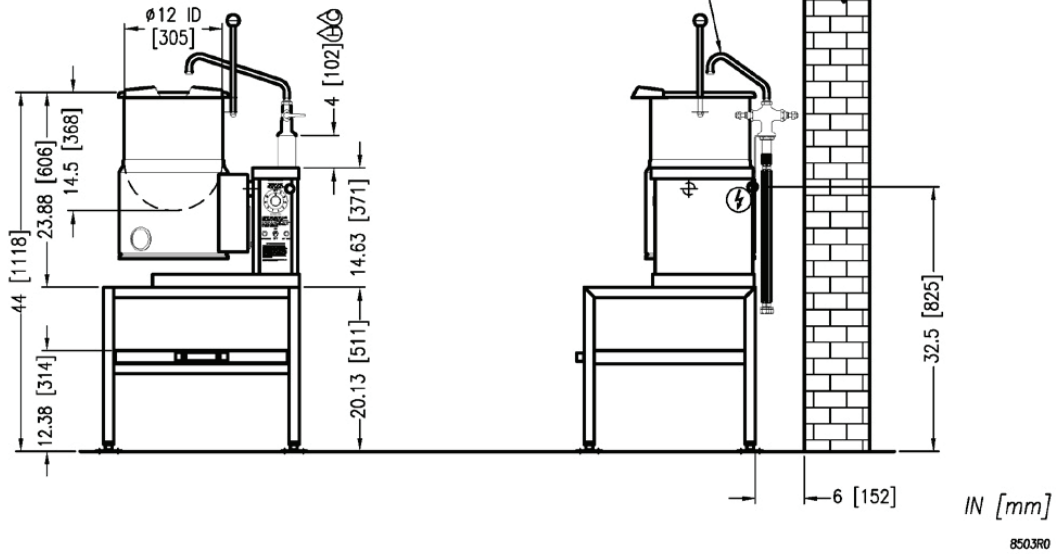
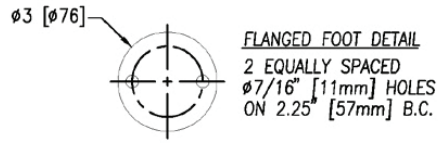
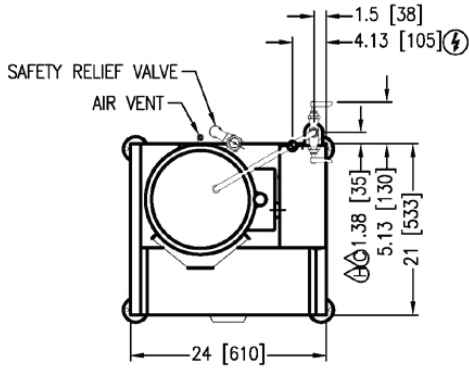
The Crown Model **EC-6TW** self generating electric kettle, with optional **S-24** stand.

All stainless construction open type equipment stand with removable sliding shelf, 1 1/4" square tubular frame, with four (4) adjustable flanged feet for floor anchoring .



Approval Notes: _____

DIMENSIONS ARE IN INCHES [MM]



SERVICE CONNECTIONS

- ⚡ - ELECTRICAL CONNECTIONS: TO BE SPECIFIED ON DATA PLATE
- Ⓒ - COLD WATER: COMPRESSION FITTINGS FOR 5/8 O.D copper tubing or 1/2 NPSM male.
- Ⓓ - HOT WATER: COMPRESSION FITTINGS FOR 5/8 O.D copper tubing or 1/2 NPSM male.

SPECIFICATIONS

MODEL	CAPACITY	UNITS	SHIPPING WT	MIN. CLEARANCE		
				L.H.	R.H.	BACK
EC-6TW with S-24	6 gallons 23 litres	inches mm	120 lbs (55 kg) without stand	3	0	6 (152)
			170 lbs (77 kg) with stand			

**INTENDED FOR COMMERCIAL USE ONLY.
NOT FOR HOUSEHOLD USE.**

