

# ECT-6 WITH S-24 STAND

 ECT-6 with S-24 Stand


### STANDARD CONSTRUCTION SPECIFICATIONS

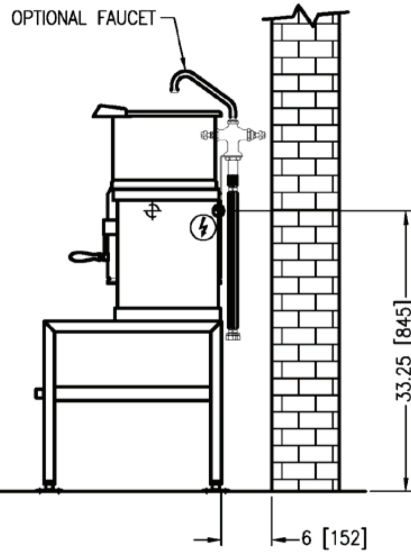
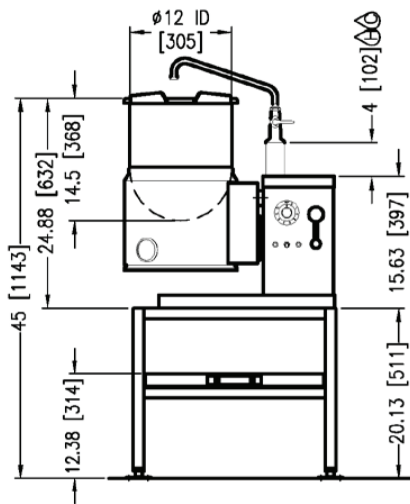
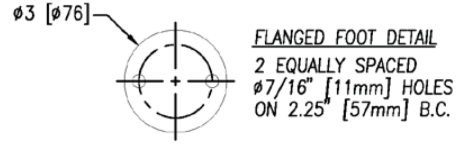
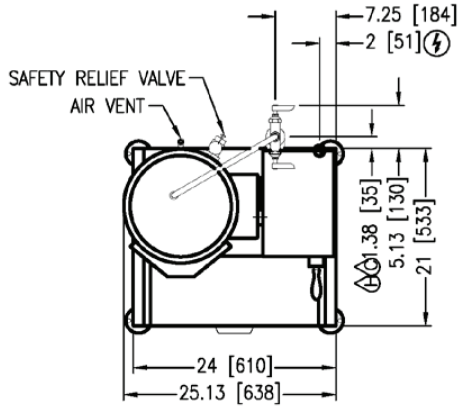
Crown Model ECT-6 Counter electric kettle, crank tilt, with optional S-24 stand.

All stainless steel construction open type equipment stand with removable sliding shelf and 1-1/4" square tubular frame with four (4) adjustable flanged feet for floor anchoring.



Approval Notes: \_\_\_\_\_  
 \_\_\_\_\_  
 \_\_\_\_\_

DIMENSIONS ARE IN INCHES [MM]



IN [mm]  
8508R0

**SERVICE CONNECTIONS**

- ELECTRICAL CONNECTION to be as specified on data plate
- COLD WATER: Compression fittings for 5/8" O.D. copper tubing or 1/2 NPSM Male
- HOT WATER: Compression fittings for 5/8" O.D. copper tubing or 1/2 NPSM Male

**SPECIFICATIONS**

MODEL	CAPACITY	UNITS	SHIPPING WEIGHT	MINIMUM CLEARANCE		
				R.H. SIDES	L.H. SIDES	BACK
ECT-6	6 Gallons (23 liters)	INCHES (MM)	130 lbs. (59 kg) without stand 170 lbs. (77 kg) with stand	0	3 (76)	6 (152)

**INTENDED FOR COMMERCIAL USE ONLY.  
NOT FOR HOUSEHOLD USE.**

