

ECTS-12 WITH S-30 STAND

 ECTS-12 with S-30 Stand


STANDARD CONSTRUCTION SPECIFICATIONS

Shall be a Crown model ECTS-12 skillet with optional S-30 stand.

All stainless construction open type equipment stand with removable sliding shelf and 1-1/4" square tubular frame with four (4) adjustable flanged feet for floor anchoring.

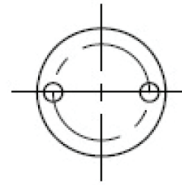
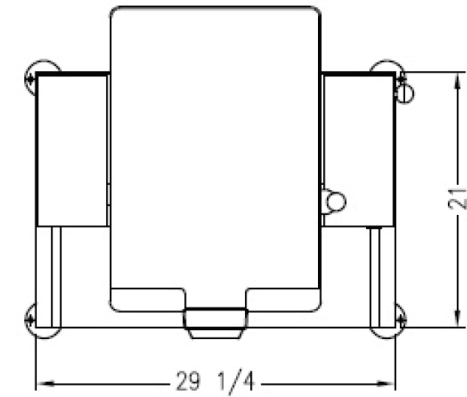


Approval Notes: _____

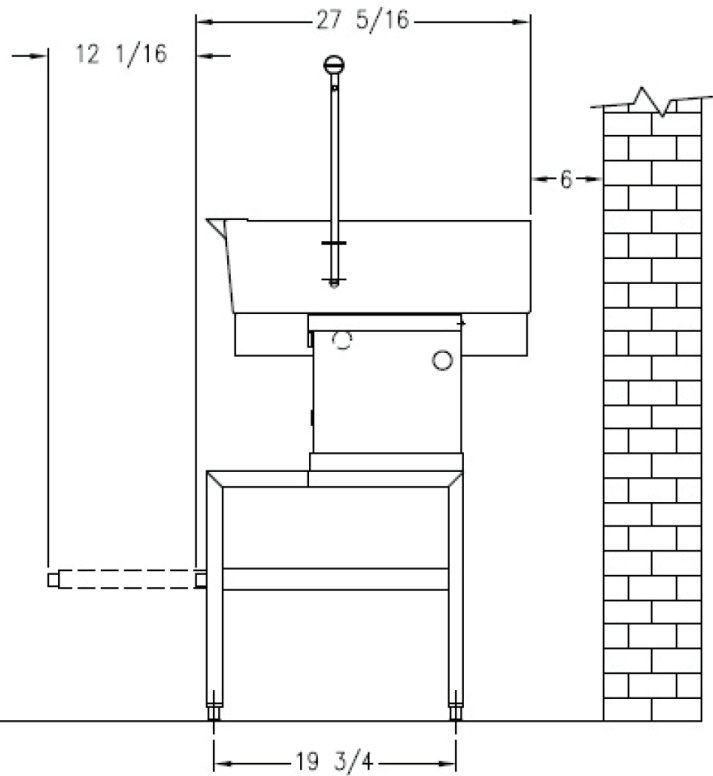
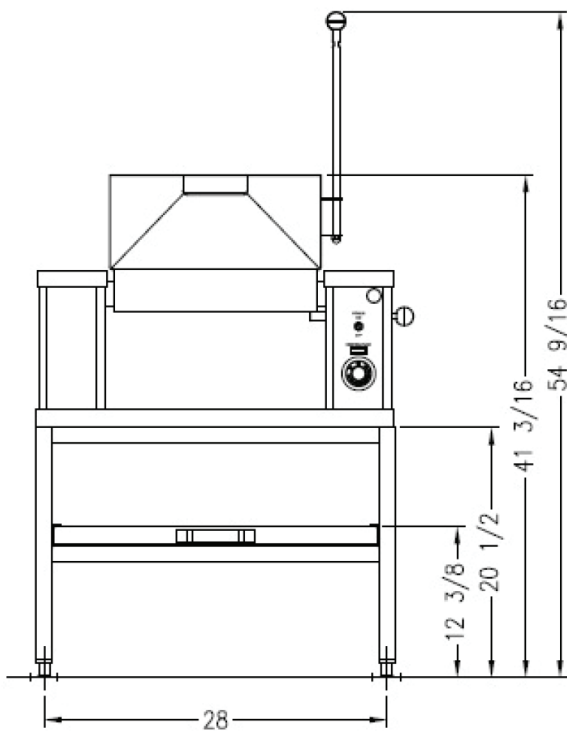
Models: ECTS-12 with S-30 Stand

ECTS-12-S30

DIMENSIONS ARE IN INCHES [MM]



FLANGE FOOT DETAIL
 2 EQUALLY SPACED
 $\phi 1/4$ [6.4mm] HOLES
 ON 2 1/4" [57mm] B.C.



ELECTRICAL CHARACTERISTICS

MODEL	SHIPPING WEIGHT
ECTS-12	245 lbs. [111 kg]

**INTENDED FOR COMMERCIAL USE ONLY.
 NOT FOR HOUSEHOLD USE.**

