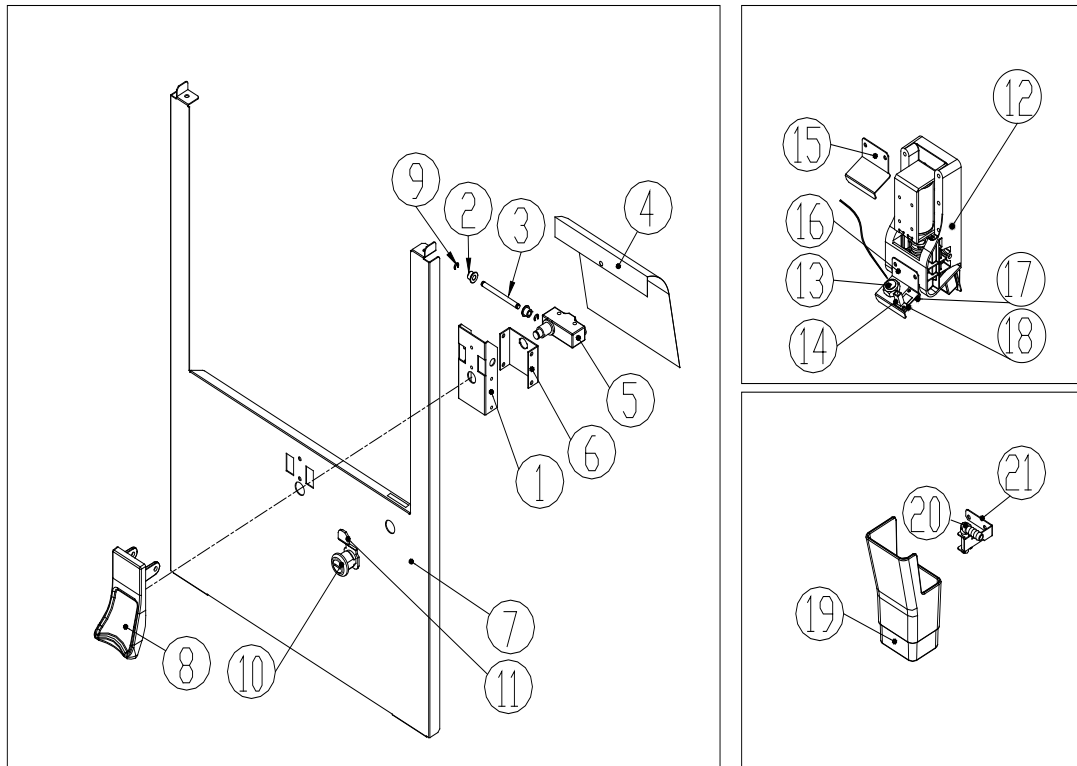
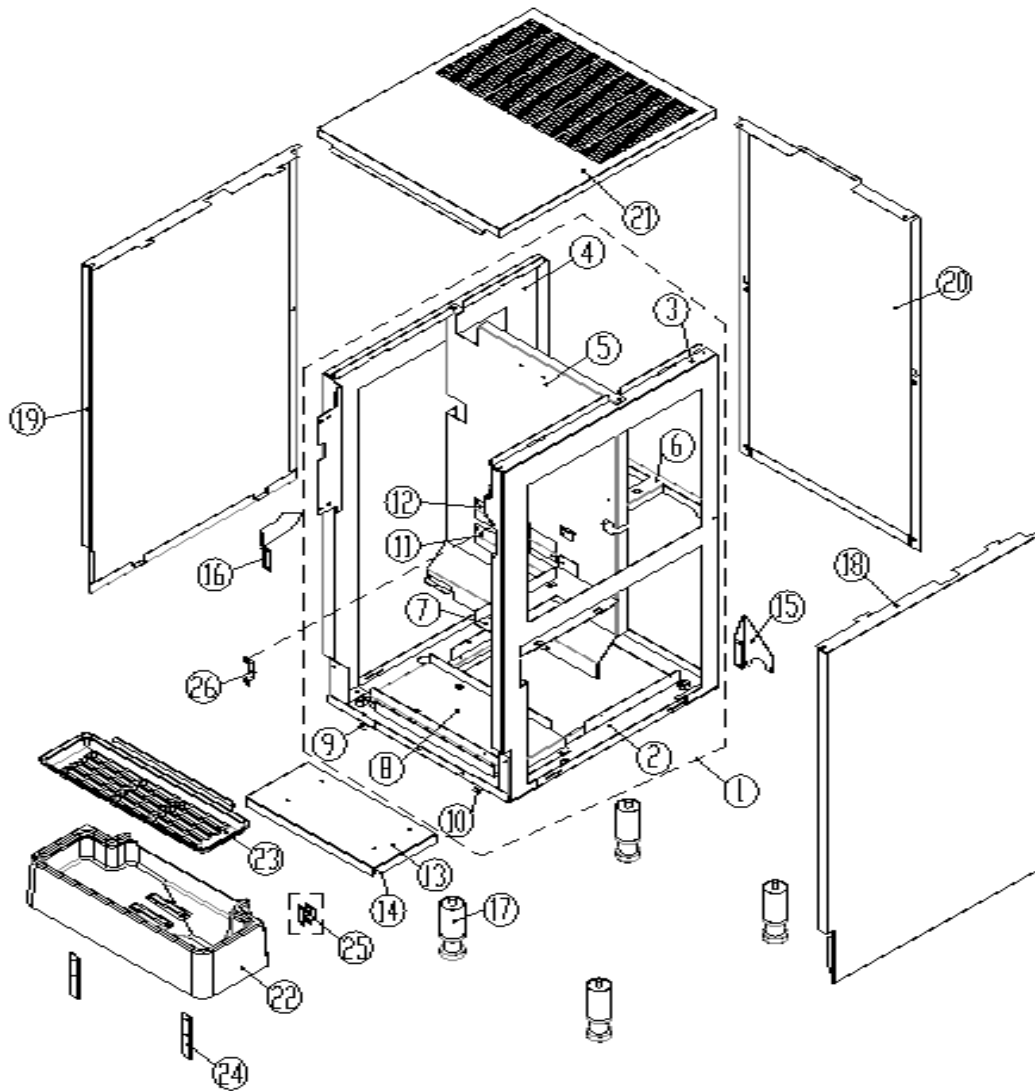


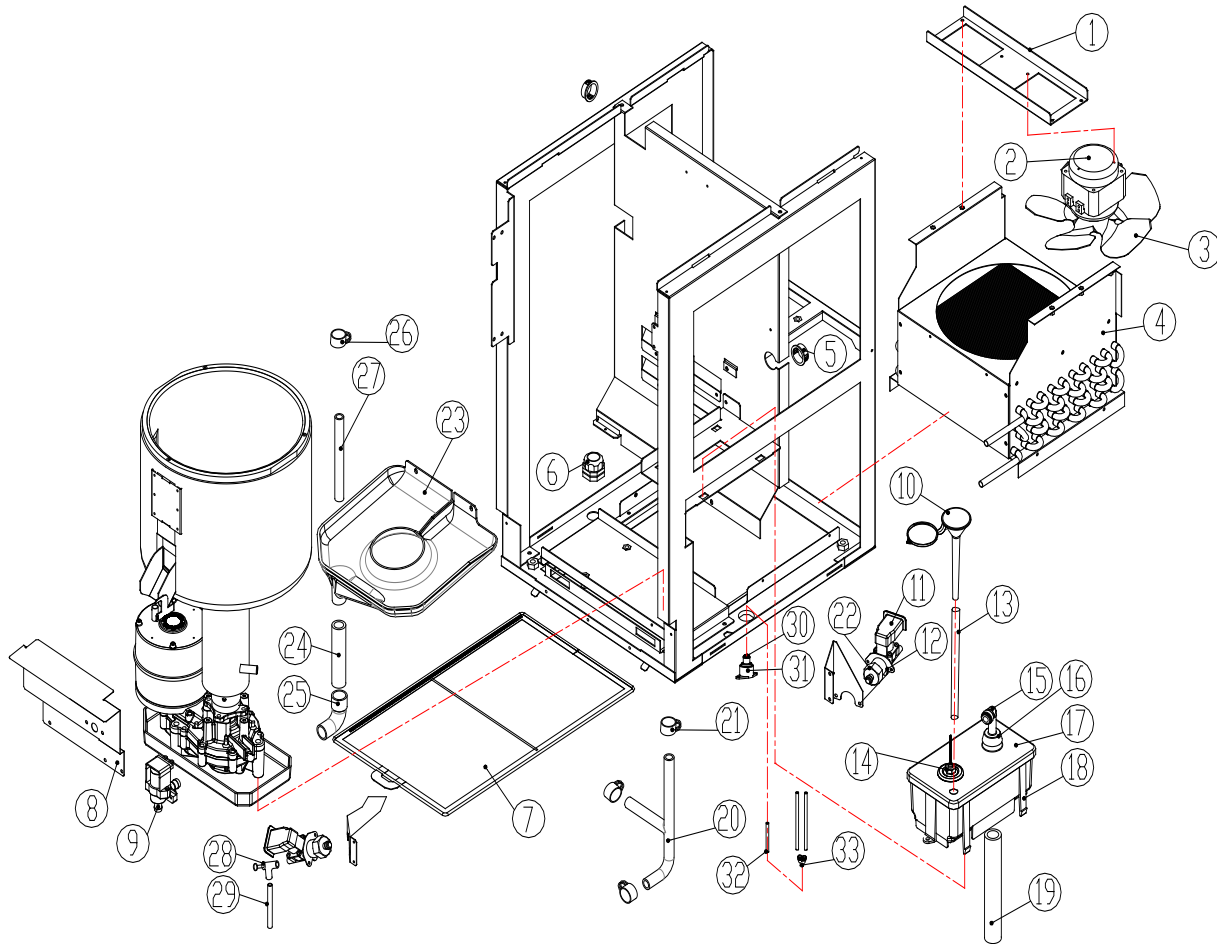
NO	DESCRIPTION	PART CODE #	
1	FRONT HINGE PANEL ASSY	432049600	
2	FRONT PANEL TOP	318038400	
3	COVER FRONT DOWN	318038500	
4	COVER SPOUT	318038600	
5	BUTTON DISPLAY	440034000	
6	FRONT PANEL BASE D	301183400	
7	FRONT PANEL BASE	301178000	
8	BUTTON PCB	367013800	
9	LOCKING MAGNET	322006000	
10	COVER BUTTON DISPLAY L	301183200	
11	COVER BUTTON DISPLAY R	301183300	



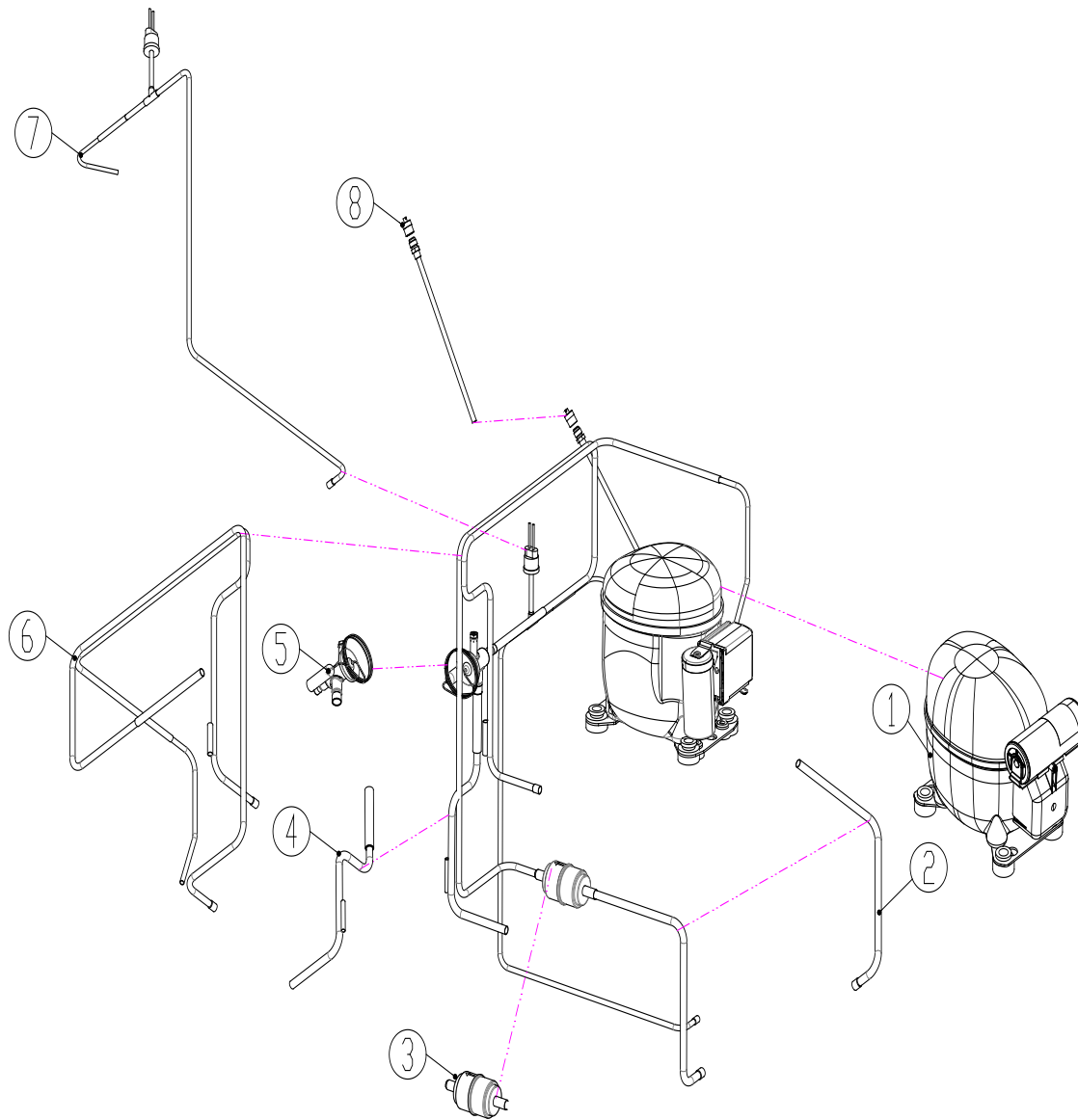
NO	DESCRIPTION	PART CODE #	
1	BRACKET BASE SHUTTER LEVER	301178400	
2	POM BEARING	310006400	
3	SHAFT SHUTTER LEVER	314043500	
4	FILM MICRO SWITCH	120001500	
5	MICRO SWITCH	355024200	
6	BRACKET MICRO SWITCH	301178500	
7	FRONT PANEL DOWN	317206800	
8	SHUTTER LEVER	309005801	
9	E-RING 4	213001300	
10	LOCKER	219003800	
11	LOCKING PLATE	301178200	
12	ASSY SHUTTER	427059301	Replace #340029601
13	UVC WATER PROOF MODULE	500001500	
14	LED PCB	367013900	
15	COVER BRACKET UV LED	301185900	
16	BRACKET UV LED	301180600	
17	COVER IN LED PCB	620001100	
18	COVER LED PCB	620001200	
19	SPOUT	318038700	
20	STEM ELBOW	398013800	
21	WATER SPOUT	301180500	



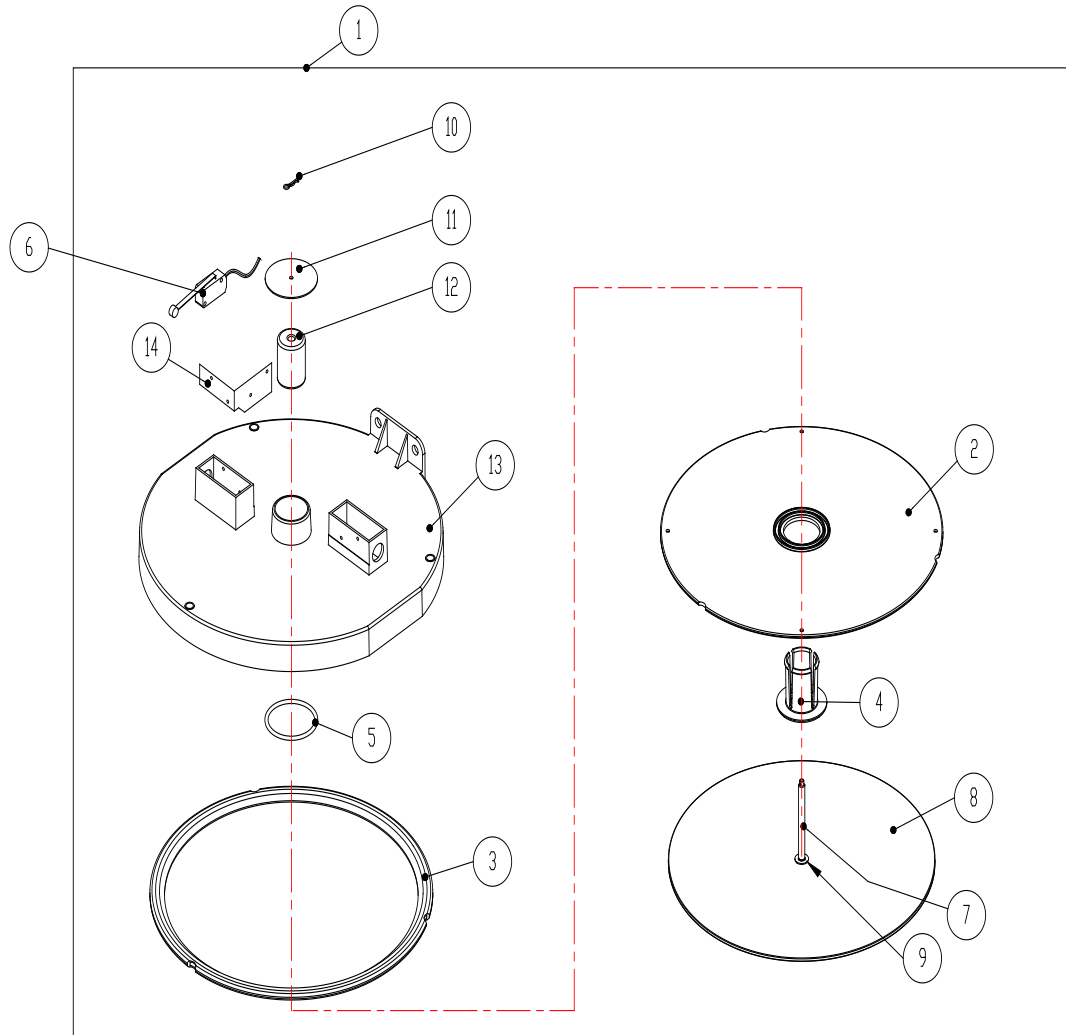
NO	DESCRIPTION	PART CODE #	
2	BASE PLATE	332046000	
3	RIGHT SIDE ANGLE	332043601	
4	LEFT SIDE ANGLE	332043500	
5	MIDDLE SIDE ANGLE	332043701	
6	BRACKET COMP	332043800	
7	BRACKET WATER TANK	332044001	
8	BRACKET AUGER MOTOR	332043300	
9	GUIDE AIR FILTER L	332044100	
10	GUIDE AIR FILTER R	332044200	
11	GUIDE PLATE	301180000	
12	GUIDE PLATE S	301180100	
13	BRACKET DRAIN BOX	301178600	
14	BRACKET DRAIN FORM	306043100	
15	BRACKET WATER SOL VALVE	301179800	
16	BRACKET OUT WATER SOL VALVE	301180301	
17	LEVELLING FOOT	302002500	
18	PANEL SIDE R	317206300	
19	PANEL SIDE L	317206400	
20	PANEL BACK	317206500	
21	TOP COVER	317206200	
22	DRAIN BOX	336029650	
23	SPLASH GUARD	336029700	



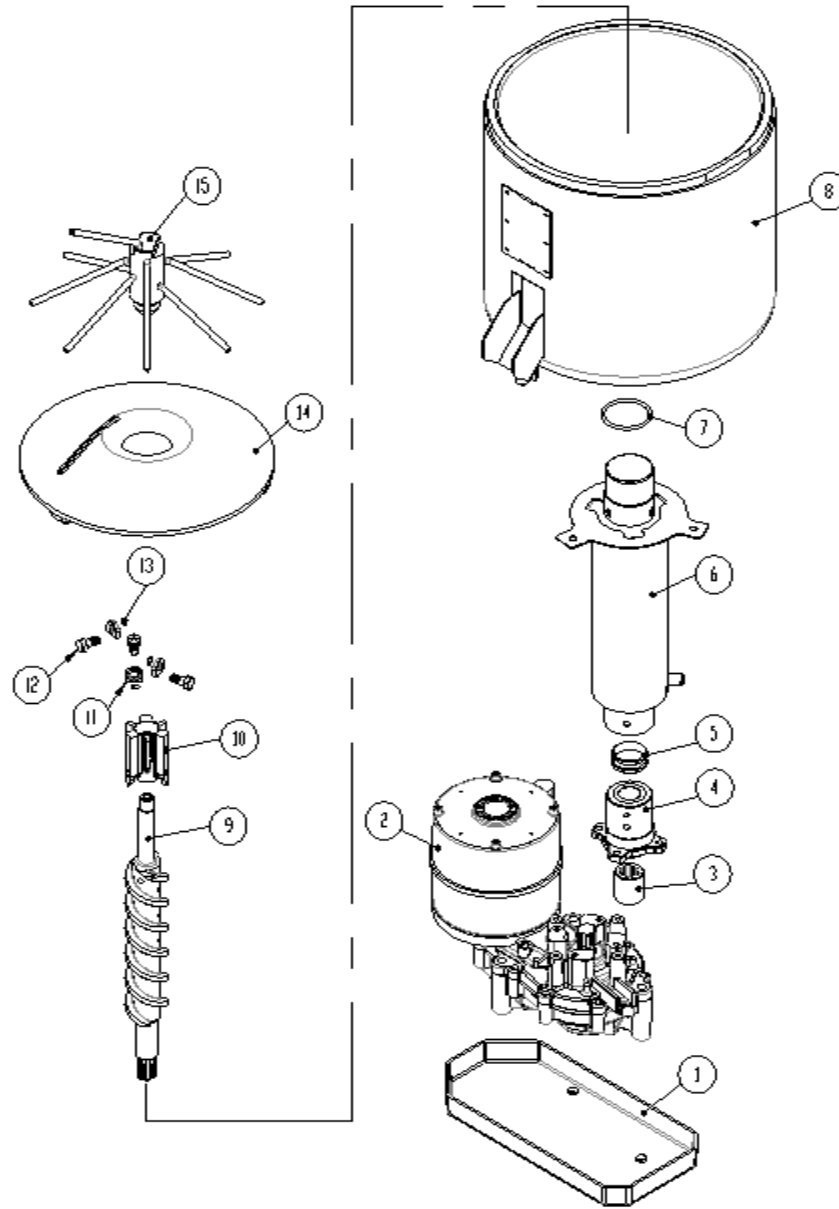
NO	DESCRIPTION	PART CODE #	
1	BRACKET FAN MOTOR	332044300	
2	FAN MOTOR	353021600	
3	FAN	308004700	
4	ASSY CONDENSER	411033300	
5	GROMMET BUSHING	232003500	
6	CABLE GLAND	227001200	
7	AIR FILTER	640009000	
8	BRACKET DRAIN WATER SOL VALVE	301179900	
9	DUMP VALVE	340029500	
10	FUNNEL	318039300	
11	WATER VALVE PLUG	319007900	
12	WATER INLET VALVE	340029400	
13	SILICON HOSE	229033800	
14	ASSY WATER LEVEL SENSOR	722014500	
15	STEM ELBOW	398013800	
16	RESERVOIR INLET	319007800	
17	WATER RESERVOIR COVER	654000400	
18	WATER RESERVOIR	654000200	
19	SILICON HOSE	229029500	
20	MULTIPLE WATER HOSE	229033600	
21	BAND SPRING 17	203003200	
22	TAP ADAPTOR	398011600	
23	DRAIN GUIDE	604002900	
24	DRAIN PIPE	229033400	
25	HOSE PUMP OUT	229033200	
26	BAND SPRING 18	203003900	
27	SILICON HOSE (EVAP INLET)	229029400	
28	CONTROL VALVE	395005700	
29	PE TUBE (O.D 3/8")	229013500	
30	STRAIGHT ADAPTOR	398013400	
31	SOCKET	215013500	
32	PE TUBE (O.D 1/4")	229013600	
33	TWO WAY DIVIDER (1/4")	398017000	



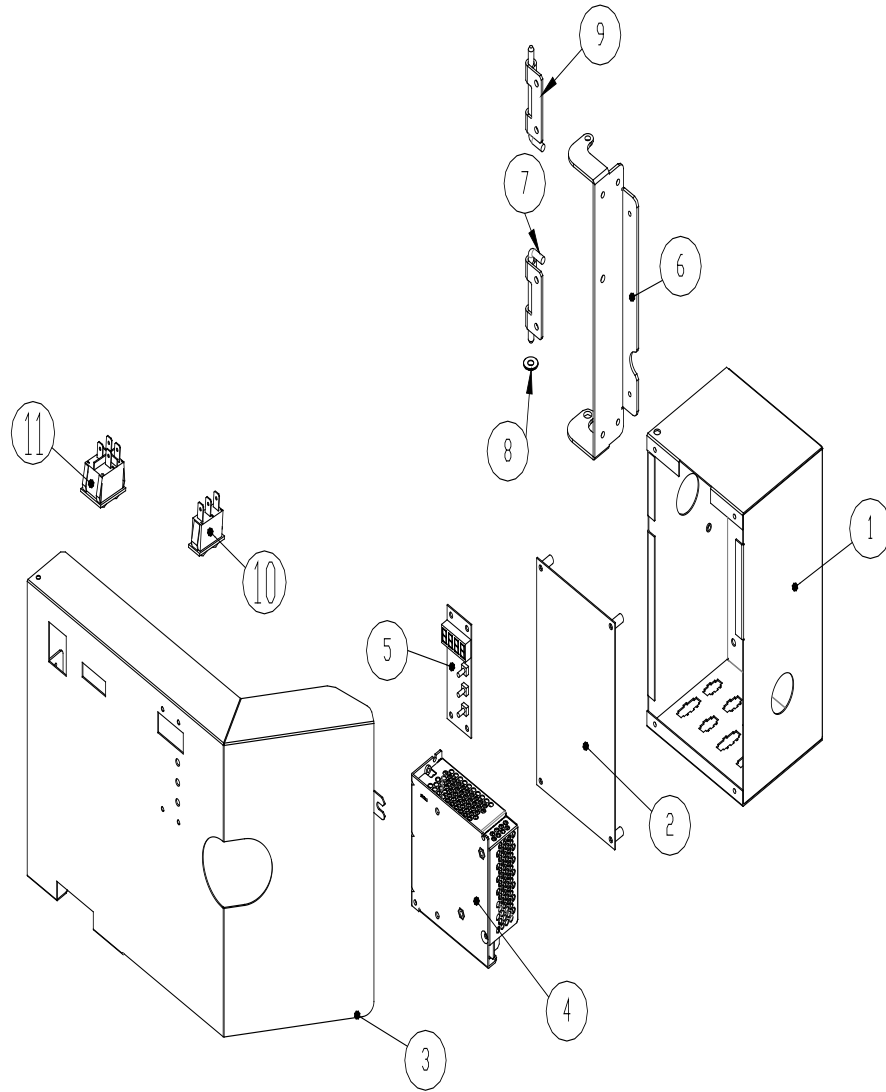
NO	DESCRIPTION	PART CODE #	
1	COMPRESSOR	394023100	
2	CONDENSER OUT PIPE	325148700	
3	FILTER DRYER	372001300	
4	EXPENSION PIPE IN NET ASSY	325148500	
5	EXPANSION VALVE	340029000	
6	SUCTION PIPE ASSY	325152000	
7	DISCHARGE PIPE ASSY	325148600	
8	CHARGE ASSY	459003000	



NO	DESCRIPTION	PART CODE #	
1	ASSY COVER STORAGE BIN	427059200	
2	COVER IN STORAGE BIN	318038900	
3	PACKING COVER STORAGE BIN	303037000	
4	BUSHING COVER STORAGE BIN	318039200	
5	O-RING	303037500	
6	ASSY MICRO SWITCH	460004201	
7	SHAFT PLATE SENSOR	314043600	
8	PLATE SENSOR	318039000	
9	E-RING	303025200	
10	R-PIN 4	315007500	
11	PLATE SENSOR S	301177100	
12	BEARING COVER STORAGE BIN	310006700	
13	COVER STORAGE BIN	318038800	
14	BRAKET BIN MICRO SWITCH	301189800	



NO	DESCRIPTION	PART CODE #	
1	GEAR MOTOR DRAIN PAN	318039100	
2	AUGER MOTOR ASSY	406026400	
3	SPLINE COUPLING	612000800	
4	HOUSING ASSY	491000900	
5	MECHANICAL SEAL	303036901	Replace 303036900
6	EVAPORATOR FORM ASSY	409043801	
7	O-RING	303037500	
8	HOPPER FORM ASSY	442008500	
9	AUGER	430005000	
10	EXTRUDING HEAD ASSY	491000801	
11	HEAD LOCKING WASHER	211008000	
12	HEX WRENCH BOLT	210814400	
13	O-RING NBR	303032000	
14	ICE BASE PLATE	301186000	
15	AGITATOR ASSY	436003400	



NO	DESCRIPTION	PART CODE #	
1	CONTROL BOX	374147301	
	BRACKET COVER CONTROL BOX	301188700	
2	MAIN PCB	367013600	
3	ASSY COVER CONTROL BOX	374148000	
4	SMPS	629001200	
5	FND PCB	367013700	
6	HINGE BASE	301178100	
7	STS	321006700	
8	HINGE BEARING	310006500	
9	STS	321006800	
10	SWITCH 3L	355009800	