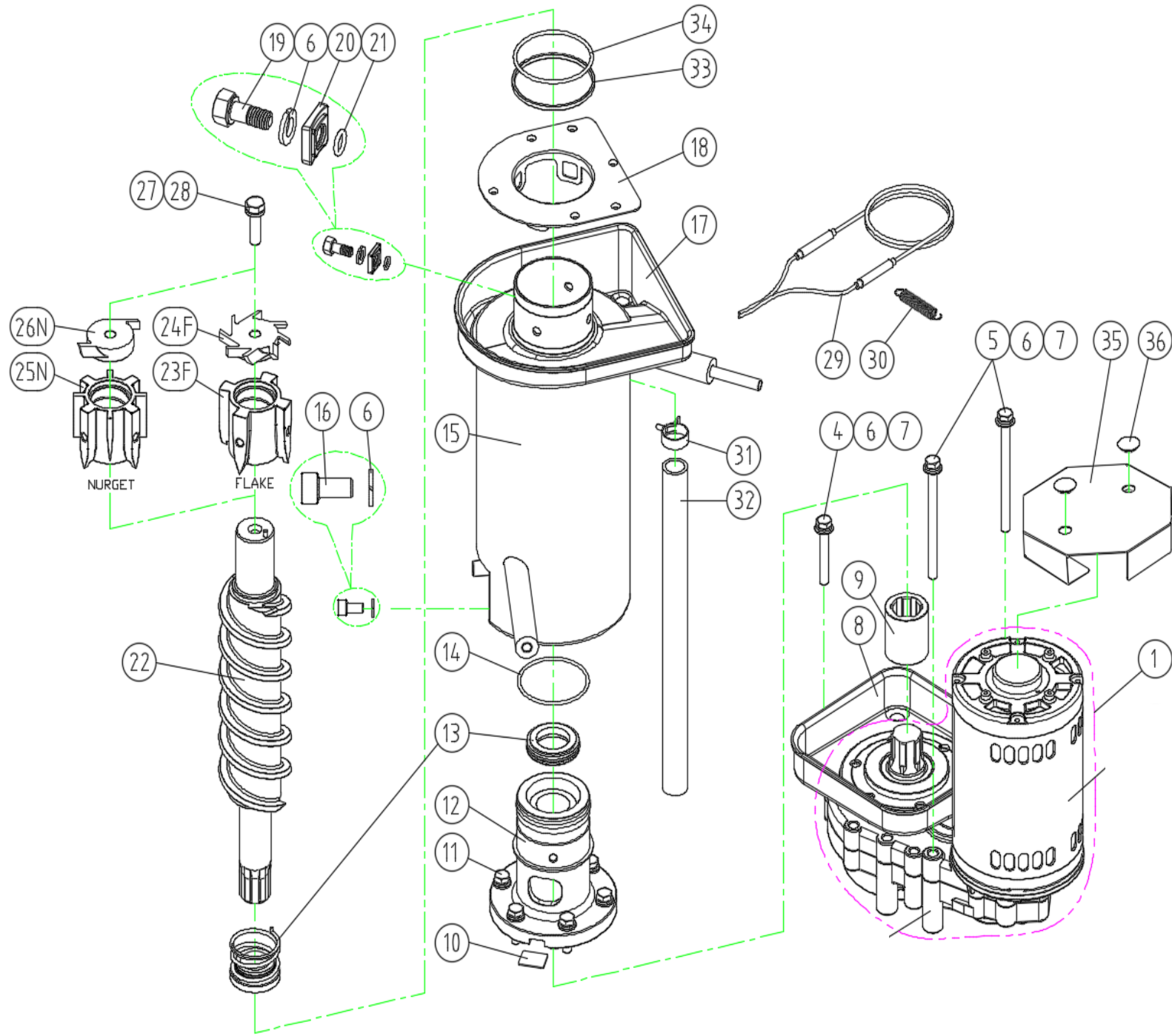


Revised 09/11/2020

IM-0770-AN/AF



NO	ITEMS	CODE	Q'TY
3	GEAR BOX(RATIO 1:128)	406020800	1
4	HEX BOLT(M8x55)	210815500	1
5	HEX BOLT(M8x90)	210814600	1
6	WASHER SPRING	211006800	11
7	WASHER	211002200	3
8	DRAIN PAN(HOUSING)	604002600	1
9	COUPLING SPLINE	612000600	1
10	INSERT SPACE(HOUSING)	301141800	2
11	BOLT HEX SEMS	214029030	6
12	HOUSING ASSY	491000500	1
13	MECHANICAL SEAL (ø30)	303031200	1
14	O-RING NBR (G65)	303031900	1
15	EVAPORATOR ASSY(FOAM)	409035200	1
16	HEX WRENCH BOLT(M8x16)	210814400	4
17	DRIP PAN	604002300	1
18	SPOUT FLANGE	301137300	1
19	HEX SOCKET BOLT(CCW)	214027900	4
20	U-WASHER	211006600	4
21	O-RING NBR (P8)	303032000	4
22	AUGER	430003200	1
23F	EXTRUDING HEAD ASSY(F)	491000600	1
24F	CUTTER (FLAKE)	696000600	1
25N	EXTRUDING HEAD ASSY(N)	491000700	1
26N	CUTTER (NUGGET)	696000700	1
27	HEX BOLT(M10x35)	210816835	1
28	WASHER SPRING	211007210	1
29	HOSE HEATER	368006400	1
30	COIL SPRING	323007110	1
31	BAND SPRING 23	203002200	1
32	SILICON HOSE (OVERFLOW)	229029500	1
33	SPOUT RING	232005800	1
34	O-RING NBR (G70)	303031800	1
35	GEAR MOTOR BARRIER	301139500	1
36	CAP SILICON	319007500	2

