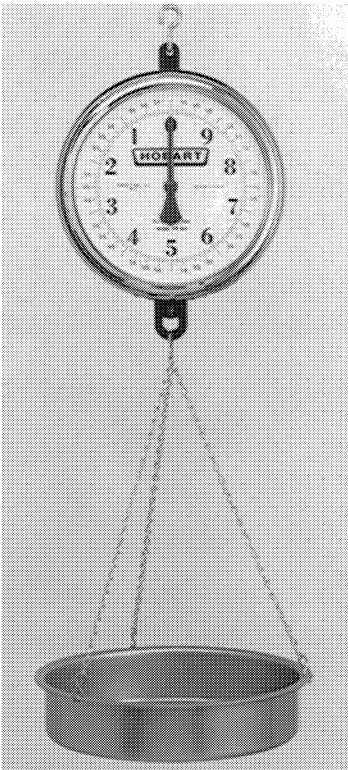




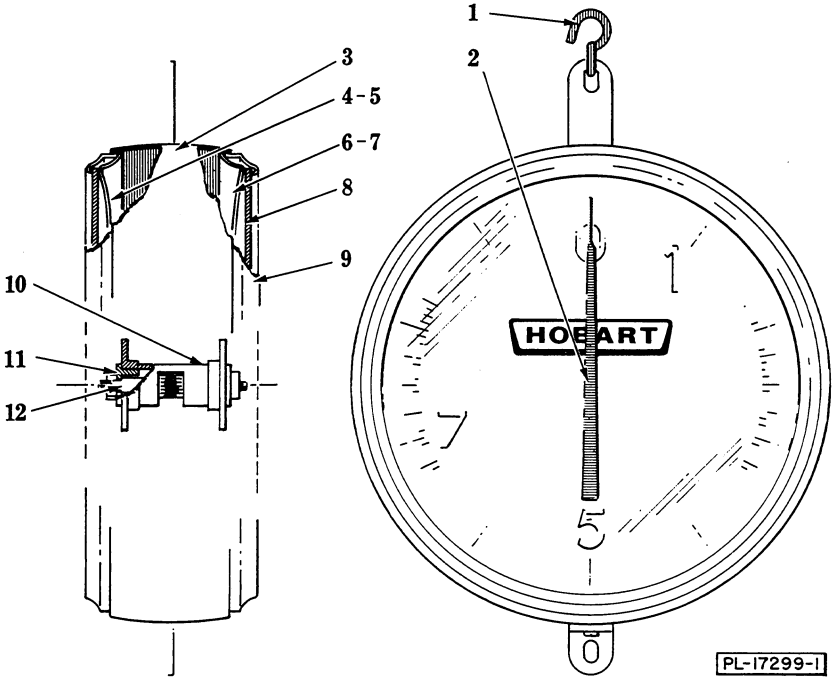
# CATALOG OF REPLACEMENT PARTS



PR309

## MODELS PR30 & PR309 SCALES

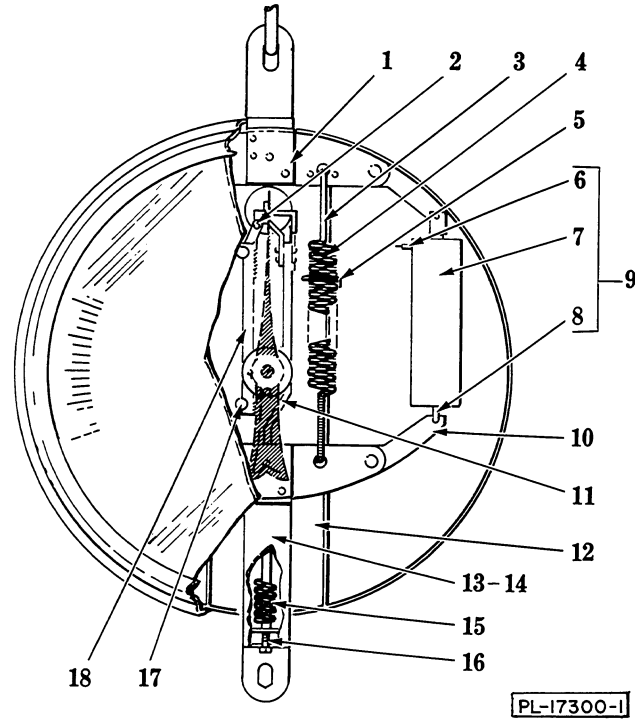
ML-22554  
ML-22555  
ML-28768



PR30 HOUSING AND PINION UNIT

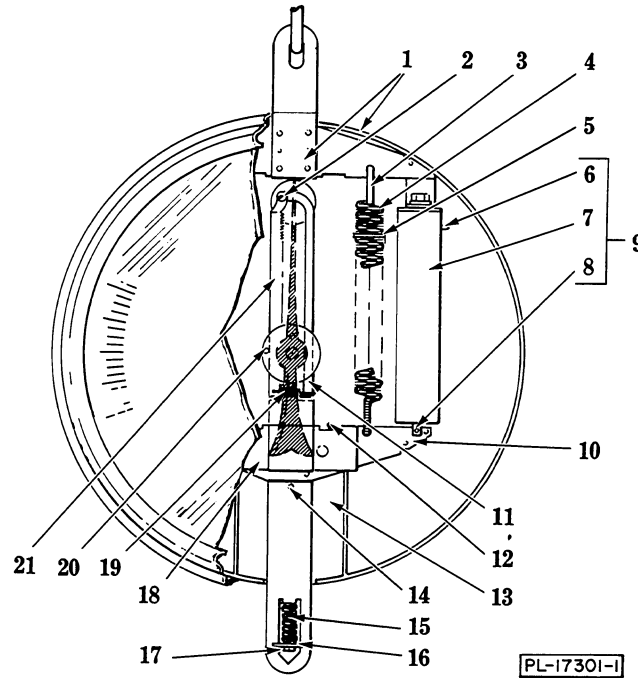
## PR30 HOUSING AND PINION UNIT

ILLUS. PL-17299-1	PART NO.	NAME OF PART <sup>23</sup>	AMT.
1	2314	Top Hook .....	1
2	4713	Pointer Assy .....	1
3	4829	Band .....	1
4	ES-3569	Dial - C.W. (Lb. Models Prior to Serial Number 01000) .....	1
5	ES-3571	Dial - C.W. (!Kg. Models) .....	1
6	ES-3570	Dial - C.C.W. (Lb. Models Prior to Serial Number 01000) .....	1
7	ES-3572	Dial - C.C.W. (!Kg. Models) .....	1
8	8616	Glass .....	2
9	4821	Bezel .....	2
10	2204	Housing - Pinion .....	1
11	4630	Bearing .....	2
12	2212-1	Pinion - Machine .....	1
	7436	Stainless Steel Pan .....	1
	10112	Porcelain Pan .....	1
	2681	Pan Ring (SST Pan) .....	1
	7870	Bail with Link .....	1
	4788CP	Pan Ring (Porc. Pan) .....	1



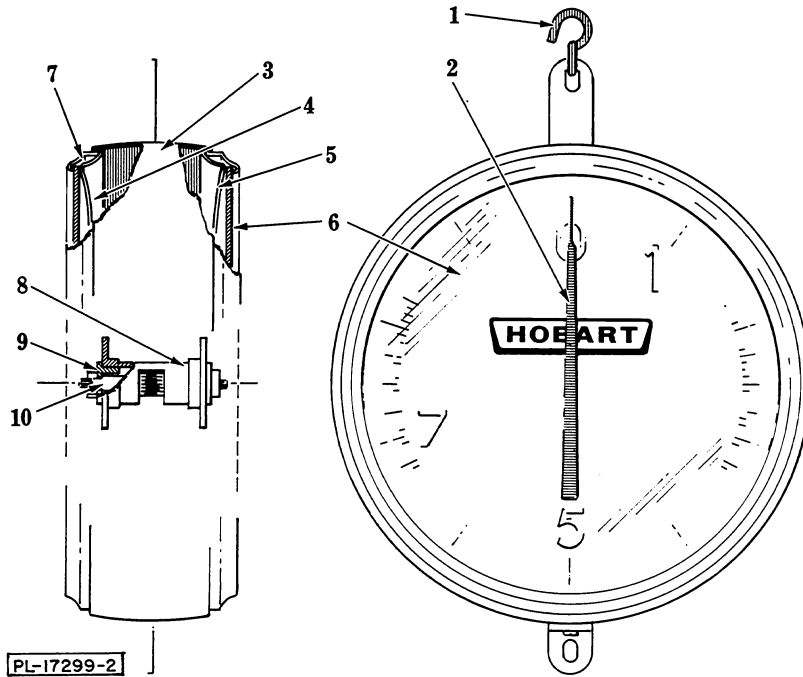
**PR30 MECHANISM (SERIAL NUMBERS PRIOR TO #01000)**

ILLUS. PL-17300-1	PART NO.	NAME OF PART <sup>23</sup>	AMT.
1	2556	Frame Assy . . . . .	1
2	2000	Screw - Rack . . . . .	1
3	2528	Hanger . . . . .	2
4	TP-9	Spring . . . . .	2
5	1672-3	Calibrator . . . . .	2
6	6372	Screw - Air Vent . . . . .	2
7	10392	Cylinder Assy . . . . .	2
8	2226	Plunger Assy . . . . .	2
9	25006	Dashpot Assy. (Incls. items 6, 7 & 8) . . . . .	2
10	12473	Runner Assy . . . . .	1
11	11946	Rack Rod Assy . . . . .	1
12	2211	Plate - Frame Side . . . . .	1
13	2229	Runner Shell (Lb. Models) . . . . .	1
14	2239	Runner Shell (Kg. Models) . . . . .	1
15	1820	Spring - Zero Adjusting . . . . .	1
16	4619	Screw - Adjusting . . . . .	1
17	4652	Rack Weight . . . . .	1
18	4627	Rack . . . . .	1



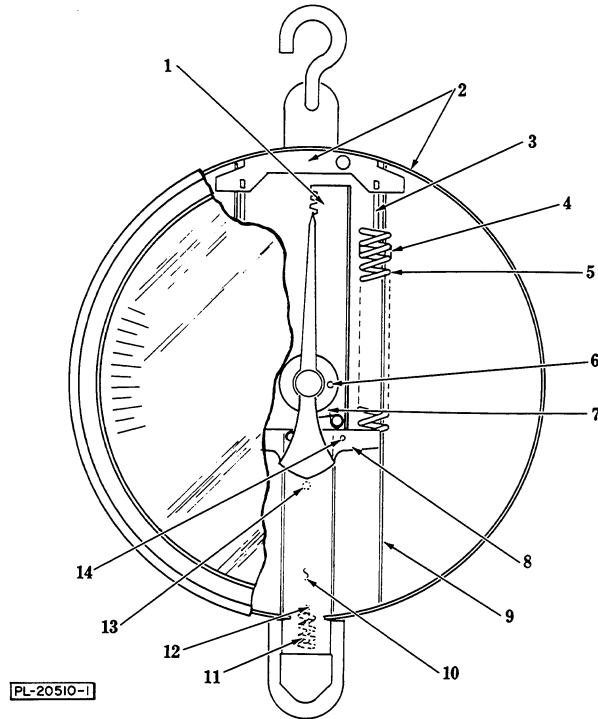
**PR30 MECHANISM (SERIAL NUMBERS AFTER #01000)**

ILLUS. PL-17301-1	PART NO.	NAME OF PART <sup>23</sup>	AMT.
1	23065	Frame Assy .....	1
2	2000	Screw - Rack .....	1
3	2528	Hanger .....	2
4	TP-3	Spring .....	2
5	1672-3	Calibrator .....	2
6	6372	Screw - Air Vent .....	2
7	23069	Cylinder Assy .....	2
8	23068	Plunger Assy .....	2
9	25017	Dashpot Assy. (Incls. items 6, 7 & 8) .....	2
10	23066A	Runner Assy .....	1
11	19136	Rack Rod Assy .....	1
12	17133	Spacer .....	2
13	2211-1	Plate - Frame Side .....	1
14	10319	Stud .....	1
15	K801	Spring - Zero Adjusting .....	1
16	19135B	Adjuster .....	1
17	21083	Screw - Adjusting .....	1
18	19134	Counterweight .....	1
19	K1568	Spring - Rack .....	1
20	2216	Rack Stop .....	1
21	16071	Rack .....	1



**PR309 HOUSING AND PINION UNIT**

ILLUS. PL-17299-2	PART NO.	NAME OF PART <sup>23</sup>	AMT.
1	2314	Top Hook .....	1
2	2240	Pointer Assy .....	2
3	2241	Band .....	1
4	26064-1	Dial - C.W .....	1
5	26065-1	Dial - C.C.W .....	1
6	8615	Glass .....	2
7	10046-2	Sash .....	2
8	2204	Housing - Pinion .....	1
9	4630	Bearing .....	2
10	2212-1	Pinion - Machine .....	1
	12520	Pinion & Housing Assy. (Incls. items 8, 9 & 10) .....	1
	23120	SST Round Pan & Chain Assy .....	1



**PR309 MECHANISM**

ILLUS.	PART NO.	NAME OF PART <sup>23</sup>	AMT.
1	1829C	Rack	1
2	2557	Frame Assy	1
3	2277	Hanger	2
4	1672-3	Calibrator	2
5	K625	Spring	2
6	2216	Stop - Rack	1
7	K1253	Spring - Rack	1
8	1947-2	Runner	1
9	2210	Plate	2
10	10382-2	Adjuster	1
11	K803	Spring - Zero Adjusting	1
12	2788	Screw - Adjusting	1
13	10319A	Stud	2
14	3261	Roll Pin	2
	12525	Runner Assy. (Incls. items 1, 7, 8, 10, 11, 12 & 13)	1

### INSTRUCTIONS FOR ORDERING PARTS

Order parts for this scale by part number and part name. In addition to part number and name, include the following information on the order:

1. Quantity of each part required.
2. Model number and serial number of scale.
3. Color of part, if painted.
4. If spring and calibrators are ordered, shown type of tare or accessory, i.e., stainless steel pan, etc.