



CATALOG OF REPLACEMENT PARTS

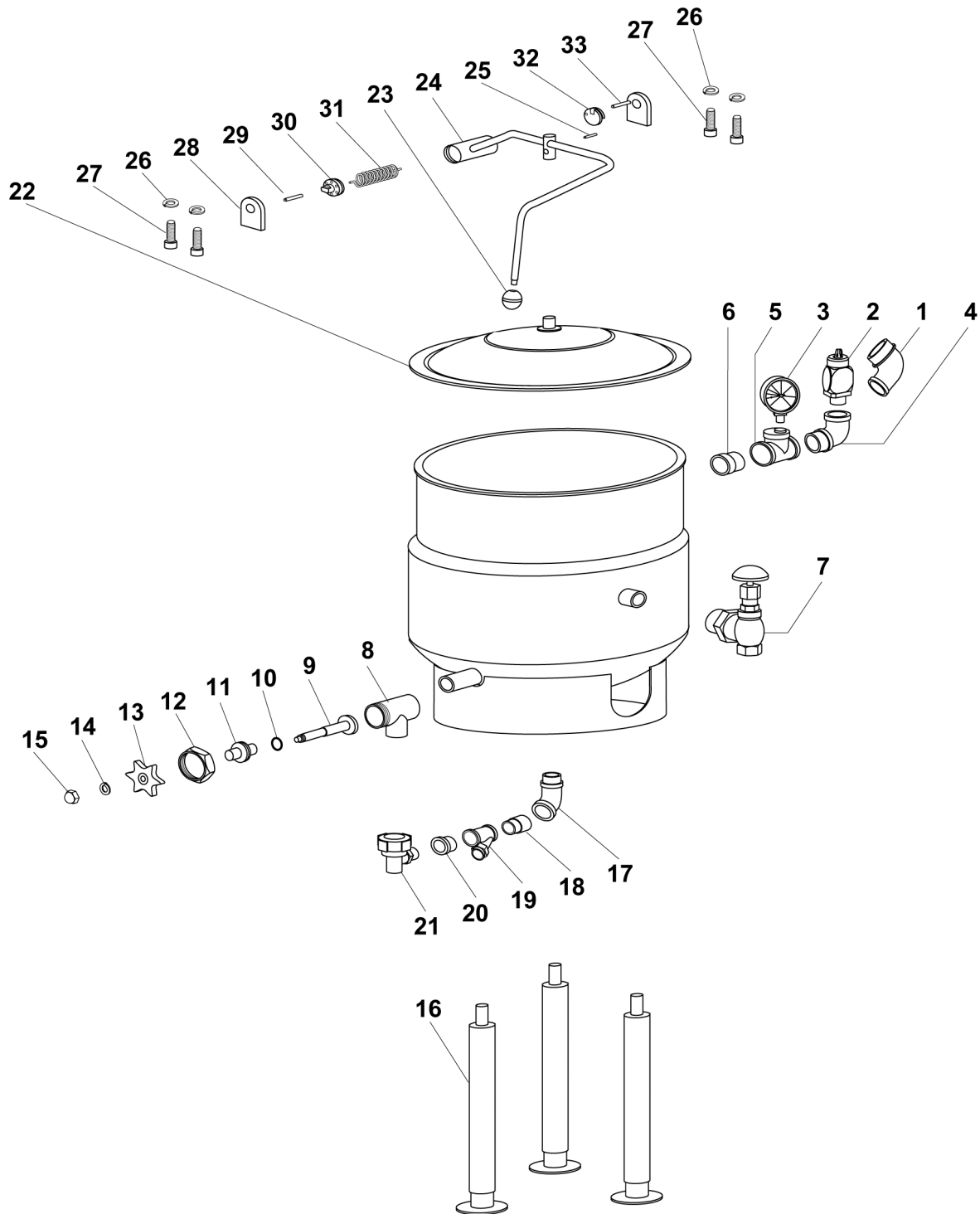


DIRECT STEAM 2/3 JACKETED STATIONARY AND TILTING KETTLES

K20DL	ML-136081
K20DLT	ML-136086
K40DL	ML-136082
K40DLT	ML-136087
K60DL	ML-136083
K60DLT	ML-136088

Table of Contents

5	K20DL, K40DL, AND K60DL COMPLETE ASSEMBLY
7	K20DLT, K40DLT, AND K60DLT COMPLETE ASSEMBLY
11	OPTIONAL SPRING ASSIST COVER
13	2" DRAW-OFF VALVE
15	3" COMPRESSION VALVE

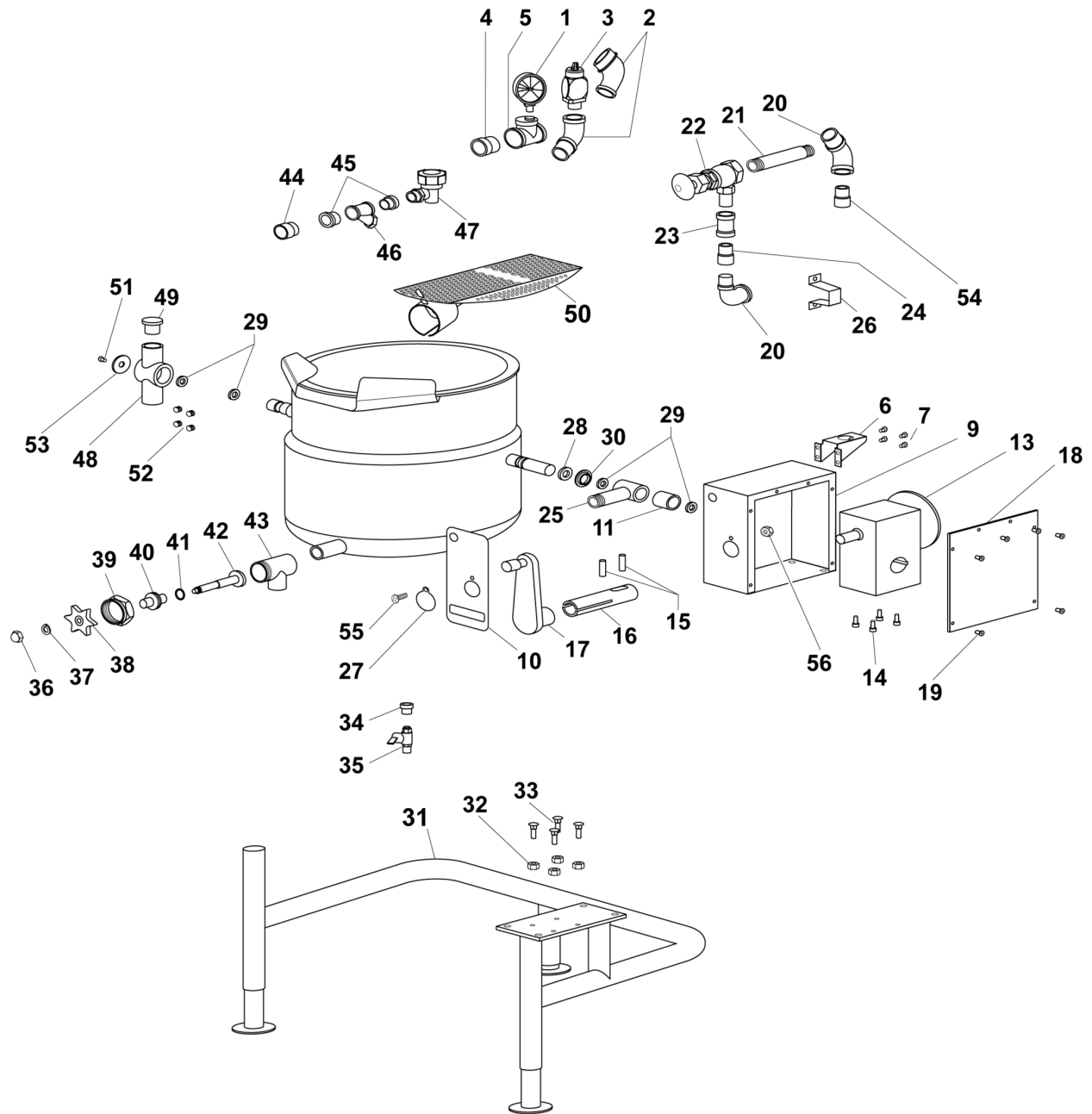


K20DL, K40DL, AND K60DL COMPLETE ASSEMBLY

K20DL, K40DL, AND K60DL COMPLETE ASSEMBLY

ILLUS.	PART NO.	NAME OF PART	AMT.
PL-F35460 FIG-1			
1	FP-015-17	Elbow - Pipe 1/2 x 90 Deg. (Brass).....	1
2	00-855968-00001	Valve - Relief (50 PSI).....	1
3	00-855954-00001	Gauge, Pressure.....	1
4	FP-015-17	Elbow - Pipe 1/2 x 90 Deg. (Brass).....	1
5	FP-069-06	Tee - Pipe 1/2 x 1/2 x 1/4 (Brass).....	1
6	FP-040-42	Pipe 1/2 x 1-1/8 TBE (Brass).....	1
7	00-881984	Valve, Steam Inlet.....	1
*8	00-856213-00002	Valve Body (2 In.).....	1
*9	00-856213-00003	Disc & Stem Assy.....	1
*10	00-856213-00007	O-Ring.....	1
*11	00-856213-00006	Retainer.....	1
*12	00-856213-00004	Nut - Hex.....	1
*13	00-856213-00005	Handle.....	1
*14	00-856213-00009	Washer Lock.....	1
*15	00-856213-00008	Nut Acorn.....	1
16	00-856977-00001	Leg & Flange Foot.....	3
17	FP-015-24	Elbow - Pipe 3/4 x 90 Deg. (Brass).....	1
18	FP-042-50	Pipe, 1/2 X 2.000.....	1
19	00-909459	Strainer, 3/4 Cast Bronze.....	1
20	FP-027-22	Bushing - Pipe 3/4 to 1/2 (Brass).....	1
21	00-856329-00001	Trap, Thermostatic 125 PSI.....	1
22	00-856490-00002	Assembly, Lid 20 Gal Without Condensate Ring.....	1
	00-856495-00002	Assembly, Lid 40 Gal Without Condensate Ring.....	1
	00-856500-00002	Assembly, Lid 60 Gal Without Condensate Ring.....	1
23	00-853285-00001	Knob - Press On.....	1
24	00-856486-00001	Handle and Rocker Housing Assembly K20DL.....	1
	00-856491-00001	Handle and Rocker Housing Assembly K40DL.....	1
	00-856496-00001	Handle and Rocker Housing Assembly K60DL.....	1
25	RP-004-31	Roll Pin 1/4 x 1.....	1
26	WL-006-17	Lockwasher 1/4 Helical (SST).....	4
27	SC-110-98	Cap Screw 1/4-20 x 3/4 Hex Socket Hd. (SST).....	4
28	00-853286-00001	Plate - Front.....	1
29	00-853284-00001	Pin - Lock.....	1
30	00-853292-00001	Disc - Tension Adjustment.....	1
31	00-853289-00001	Spring - Torsion.....	1
32	00-853293-00001	Disc - Rotary Stop.....	1
33	00-855220-00002	Plate - Rear.....	1
	00-833652-00001	Petro-Gel (Tube).....	AR

* Items 8 through 15 comprise the 3" Compression Valve.



K20DLT, K40DTL, AND K60DLT COMPLETE ASSEMBLY

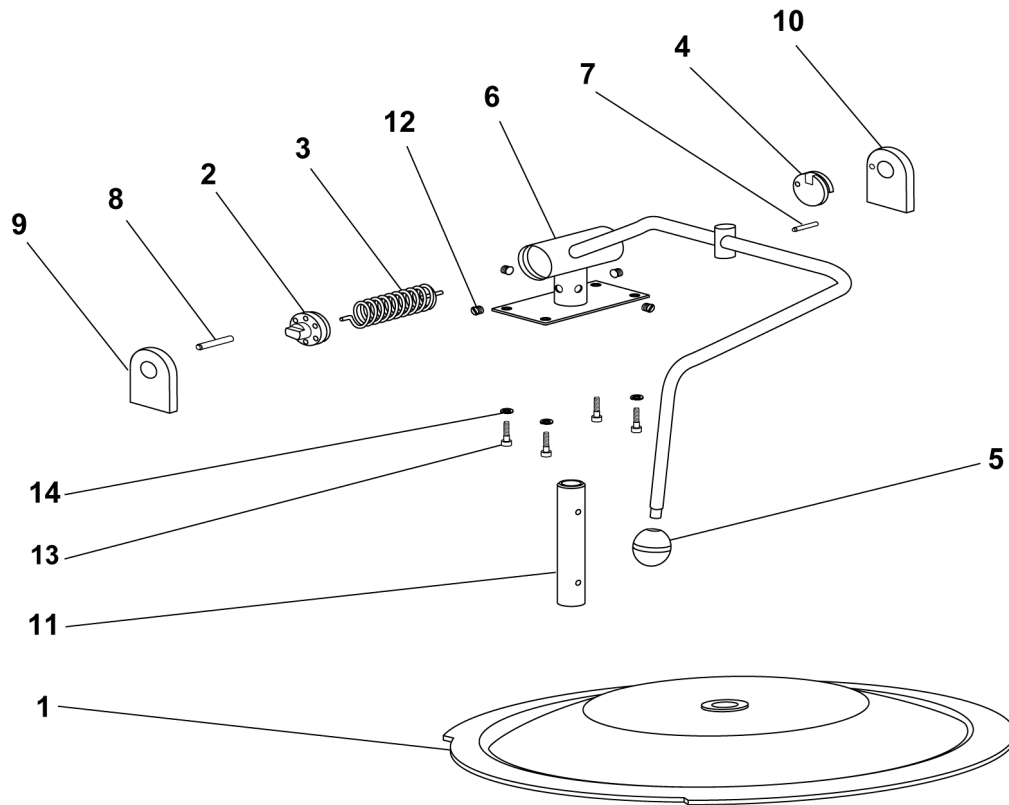
K20DLT, K40DLT, AND K60DLT COMPLETE ASSEMBLY

ILLUS.	PART NO.	NAME OF PART	AMT.
	PL-F35460 FIG-2		
1	00-855954-00001	Gauge, Pressure.....	1
2	FP-015-17	Elbow - Pipe 1/2 x 90 Deg. (Brass).....	2
3	00-855968-00001	Valve - Relief (50 PSI).....	1
4	FP-040-42	Pipe 1/2 x 1-1/8 TBE (Brass).....	1
5	FP-069-06	Tee - Pipe 1/2 x 1/2 x 1/4 (Brass).....	1
6	00-855902-00001	Bracket - Faucet Mounting.....	1
7	SC-041-50	Cap Screw 1/4-20 x 1/2 Hex Hd. (SST).....	4
8	00-854766-00001	Speed Nut, J Type-1024.....	8
9	00-856347-00001	Assembly, Control Box.....	1
10	00-856586-00001	Overlay, KxxDLT.....	1
11	00-856315-00001	Bushing, Bronze Sleeve.....	1
12	00-856379-00001	Shaft, Pivot.....	1
13	00-856184-00002	Gear - Reducer (80:1).....	1
14	SC-041-50	Cap Screw 1/4-20 x 1/2 Hex Hd. (SST).....	4
15	RP-003-36	Pin - Roll .312 X 1.500.....	2
16	00-854644-00002	Extension - Shaft Reducer.....	1
17	00-854650-00001	Assembly, Crank Handle.....	1
18	00-856011-00001	NLA - Obsolete--Assembly, Control Box Lid with Seals.....	1
19	SC-066-06	Mach. Screw 10-24 x 1/2 Phil. Truss Hd. (SST).....	6
20	FP-015-23	Elbow 3/4 x 90 Deg. (Brass) Pipe.....	2
21	FP-091-12	Pipe, 3/4 X 14.250.....	1
22	00-881984	Valve, Steam Inlet.....	1
23	FP-023-25	Coupling - Pipe 3/4 x 90 Deg.....	1
24	FP-043-77	Pipe 3/4 x 4 TBE (Brass).....	2
25	00-856318-00001	Weldment, Inlet Housing.....	1
26	00-856587-00001	Bracket, Plumbing Support.....	1
27	00-856218-00001	NLA - Obsolete--Flap - Tilt Handle Opening.....	1
28	00-856584-00001	Seal, Shaft.....	1
29	00-856334-00001	Seal, Parker #4207-12501500-250B.....	4
30	00-856316-00001	Bushing, Steel Sleeve.....	1
31	00-856306-00001	Assembly, Stand, K20DLT.....	1
	00-856245-00001	Assembly, Stand, K40DLT.....	1
	00-856172-00001	Assembly, Stand, K60DLT.....	1
32	NS-015-20	Nut 1/2-13 Hex (SST).....	4
33	SC-082-45	Bolt, Square Neck, 1/2-20 UNF X 1.750 L.....	4
34	FP-027-16	Bushing - Pipe 3/4 to 3/8 (IB57 & 140).....	1
35	00-856325-00001	NLA - Obsolete--Valve, Drain.....	1
36	00-856213-00008	Nut Acorn.....	1
37	00-856213-00009	Washer Lock, 2".....	1
38	00-856213-00005	Handle 2".....	1
39	00-856213-00004	Nut - Hex 2".....	1
40	00-856213-00006	Retainer 2".....	1
41	00-856213-00007	O-Ring 2".....	1
42	00-856213-00003	Disc & Stem Assy. 2".....	1
43	00-856213-00002	Valve Body (2 In.).....	1
44	FP-040-50	Pipe 1/2 x 2 TBE (Brass).....	1
45	FP-027-22	Bushing - Pipe 3/4 to 1/2 (Brass).....	2
46	00-909459	Strainer (Auto Blowdown Only).....	1
47	00-856329-00001	Trap, Thermostatic 125 PSI.....	1
48	00-856327-00001	Pivot Assy. (Incls. Item 29).....	1
49	00-856563-00001	Plug, Lid Holder.....	1
50	00-856192-00001	Strainer, Perforated, 20-gallon.....	1
	00-856186-00001	Strainer, Perforated, 40-gallon.....	1
	00-856195-00001	Strainer, Perforated, 60-gallon.....	1
	00-833652-00001	Petro-Gel (Tube).....	1

K20DLT, K40DTL, AND K60DLT COMPLETE ASSEMBLY

ILLUS.	PART NO.	NAME OF PART	AMT.
		PL-F35460 FIG-2	
	00-856089-00001	NLA - Obsolete--Seal, Lid.....	2
	00-856090-00001	NLA - Obsolete--Seal, Lid.....	2
51	SC-041-11	Cap Screw 5/16-18 x 3/4 Hex Hd. (SST).....	1
52	SC-047-13	Set Screw 1/4-20 x 3/8 Hex Hdls., Cup Pt.....	4
53	00-856182-00001	NLA - Obsolete--Washer - Retainer.....	1
54	FP-046-76	Pipe 3/4 x 12-3/4 TBE (Brass).....	1
55	SC-066-06	Mach. Screw 10-24 x 1/2 Phil. Truss Hd. (SST).....	1
56	NS-011-18	Nut 10-24 Hex (SST).....	1

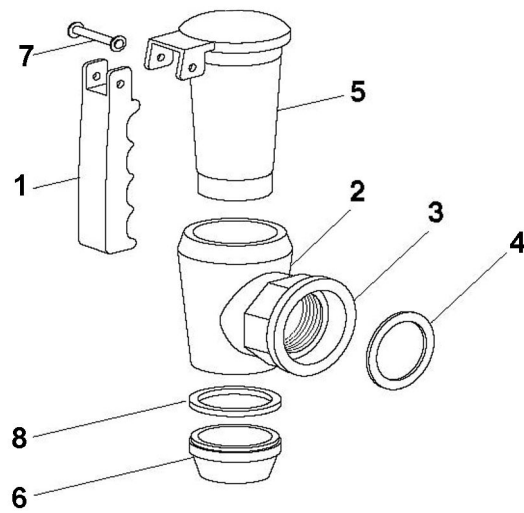
NOTES



OPTIONAL SPRING ASSIST COVER

OPTIONAL SPRING ASSIST COVER

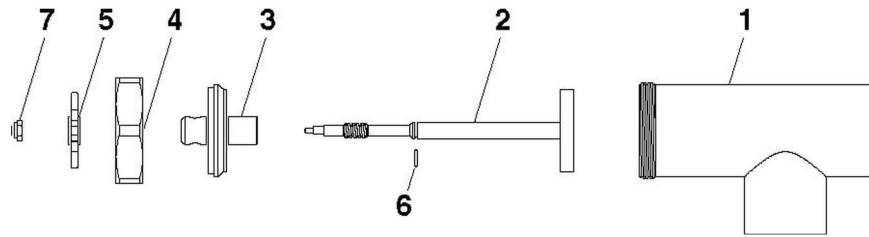
ILLUS.	PART NO.	NAME OF PART	AMT.
PL-F35460 FIG-3			
1	00-856490-00005	Assembly, Lid, 20 Gal (with Condensate Ring).....	1
	00-856495-00004	Assembly, Lid, 40 Gal (with Condensate Ring).....	1
	00-856500-00002	Assembly, Lid, 60 Gal (with Condensate Ring).....	1
2	00-853292-00001	Disc - Tension Adjustment.....	1
3	00-853289-00001	Spring - Torsion.....	1
4	00-853293-00001	Disc - Rotary Stop.....	1
5	00-853285-00001	Knob - Press On.....	1
6	00-856511-00001	Weldment, Handle, 40 Gal, Tilt.....	1
	00-856514-00001	Weldment, Handle, 60 Gal, Tilt.....	1
7	RP-004-31	Roll Pin 1/4 x 1.....	1
8	00-853284-00001	Pin - Lock.....	1
9	00-853286-00001	Plate - Front.....	1
10	00-855220-00002	Plate - Rear Weldment.....	1
11	00-856311-00001	Mast, Support Lid, 5.201" long, K20DLT-1.....	1
	00-856311-00004	Mast, Support Lid, 8.625" long, K40DLT.....	1
	00-856311-00005	Mast, Support Lid, 13.250" long, K60DLT.....	1
12	SC-047-12	Set Screw 1/4-20 x 3/8 Socket Hdls., Knife Cup Pt.....	4
13	SC-110-98	Cap Screw 1/4-20 x 3/4 Hex Socket Hd. (SST).....	4
14	WL-006-07	Lockwasher #10 Helical (SST).....	4



2" DRAW-OFF VALVE

2" DRAW-OFF VALVE

ILLUS.	PART NO.	NAME OF PART	AMT.
		PL-F35460 FIG-4	
1	00-857547-00006	Handle - Athermic.....	1
2	00-857547-00002	Valve Body (Draw-Off).....	1
3	00-857547-00003	Coupling - Valve (Draw-Off).....	1
4	00-857170-00009	Gasket - Coupling.....	1
5	00-857547-00004	Plug - Valve (Draw-Off).....	1
6	00-857547-00008	Ring - Metal.....	1
7	00-857547-00007	Pin - Retaining.....	1
8	00-857547-00005	Washer.....	1



3" COMPRESSION VALVE

3" COMPRESSION VALVE

ILLUS.	PART NO.	NAME OF PART	AMT.
		PL-F35460 FIG-5	
1	00-359996-00001	Valve Body, 3".....	1
2	00-359996-00002	Disc and Stem Assembly.....	1
3	00-359996-00003	Bonnet.....	1
4	00-359996-00004	Hex Nut.....	1
5	00-359996-00005	Handle.....	1
6	00-359996-00006	O-ring.....	1
7	00-359996-00007	Nut - Acorn.....	1

