

ACCESSORIES

VHP COUNTER MODEL GAS HOTPLATE



VHP848U WITH CUTTING BOARD

- CUTTING BOARD
- CONDIMENT RAIL
- PLATE RAIL

STANDARD FEATURES

- Stainless steel construction.
- Welded and smooth blended edges.
- Line matched to MSA,900RX griddles and VACB charbroiler accessories.
- Cutting board accessory features stainless steel frame with removable board inserts. Inserts are 1" thick X 7" wide, Sani-TUFF® rubber NSF listed boards.
- Condiment rails will accommodate up to the following amounts of 1/6 size containers:
 - 25" model – 3
 - 36" model – 4
 - 48" model – 6
- Plate rails feature a full 10 5/8" deep stainless steel shelf.
- One year limited parts and labor warranty.



GRIDDLE CUTTING BOARD CHARBROILER CONDIMENT RAIL HOTPLATE PLATE RAIL

OPTIONS

- Product variations available. See your sales representative for product variance requests.

SPECIFY HOT PLATE SIZE WHEN ORDERING.

ACCESSORIES

VHP COUNTER MODEL GAS HOTPLATE

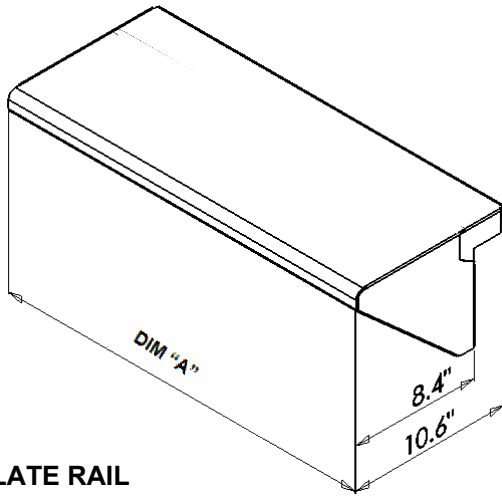
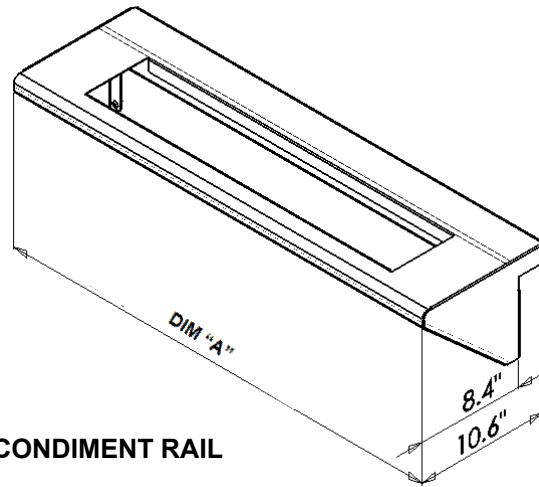
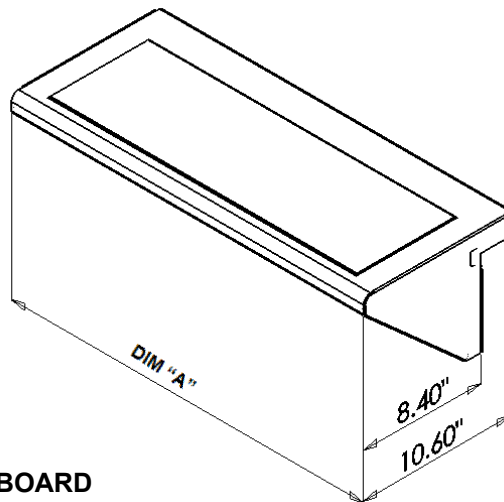


PLATE RAIL



CONDIMENT RAIL



CUTTING BOARD

DIM "A" = 12.00", 24.00", 36.00", 48.00"

ACCESSORY CODES			
MODEL SIZE	PLATE RAIL	CONDIMENT RAIL	CUTTING BOARD
12"	PLTRAIL-AHP12	N/A	N/A
24"	PLTRAIL-AHP24	CONRAIL-AHP24	CUTBD-AHP24
36"	PLTRAIL-AHP36	CONRAIL-AHP36	CUTBD-AHP36
48"	PLTRAIL-AHP48	CONRAIL-AHP48	CUTBD-AHP48*

*Two Piece Cutting Board

NOTE: In line with its policy to continually improve its products, Vulcan-Hart Company reserves the right to change materials and specifications without notice.