

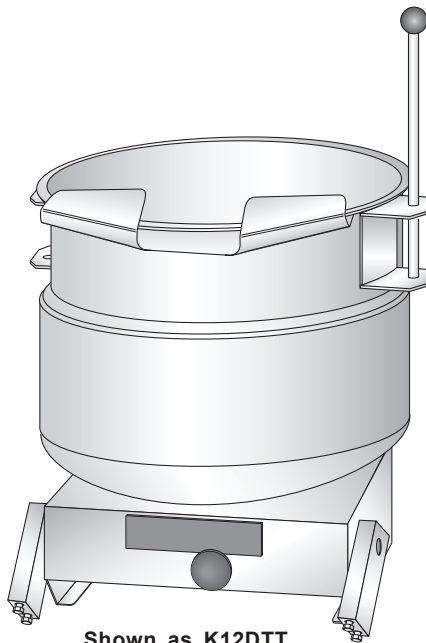
VULCAN

CATALOG OF REPLACEMENT PARTS

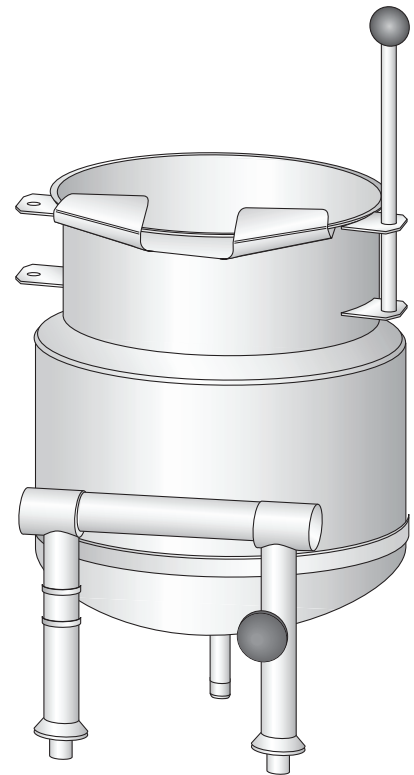
DIRECT COUNTERTOP TILTING KETTLES

MODELS

K6DTT ML-136070
K12DTT ML-136071



Shown as K12DTT

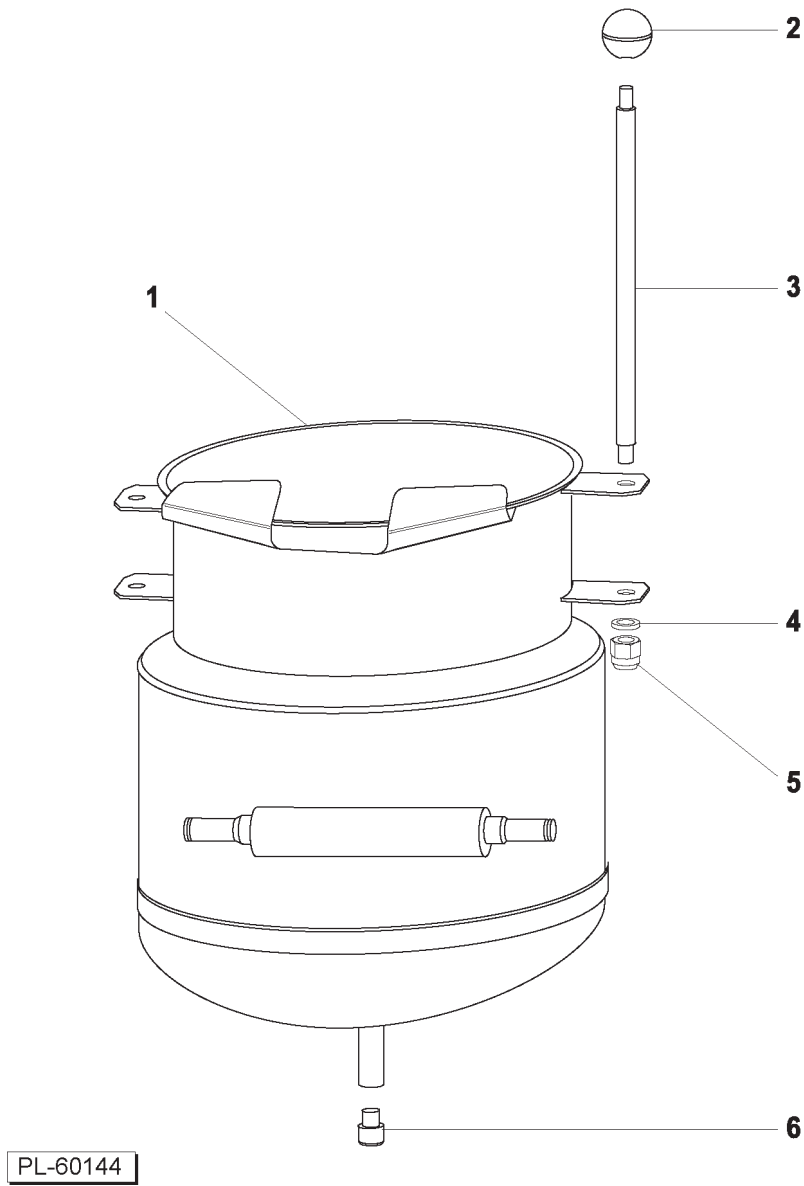


Shown as K6DTT

For additional information on Vulcan-Hart or to locate an authorized parts and service provider in your area, visit our website at www.vulcanhart.com.

Table of Contents

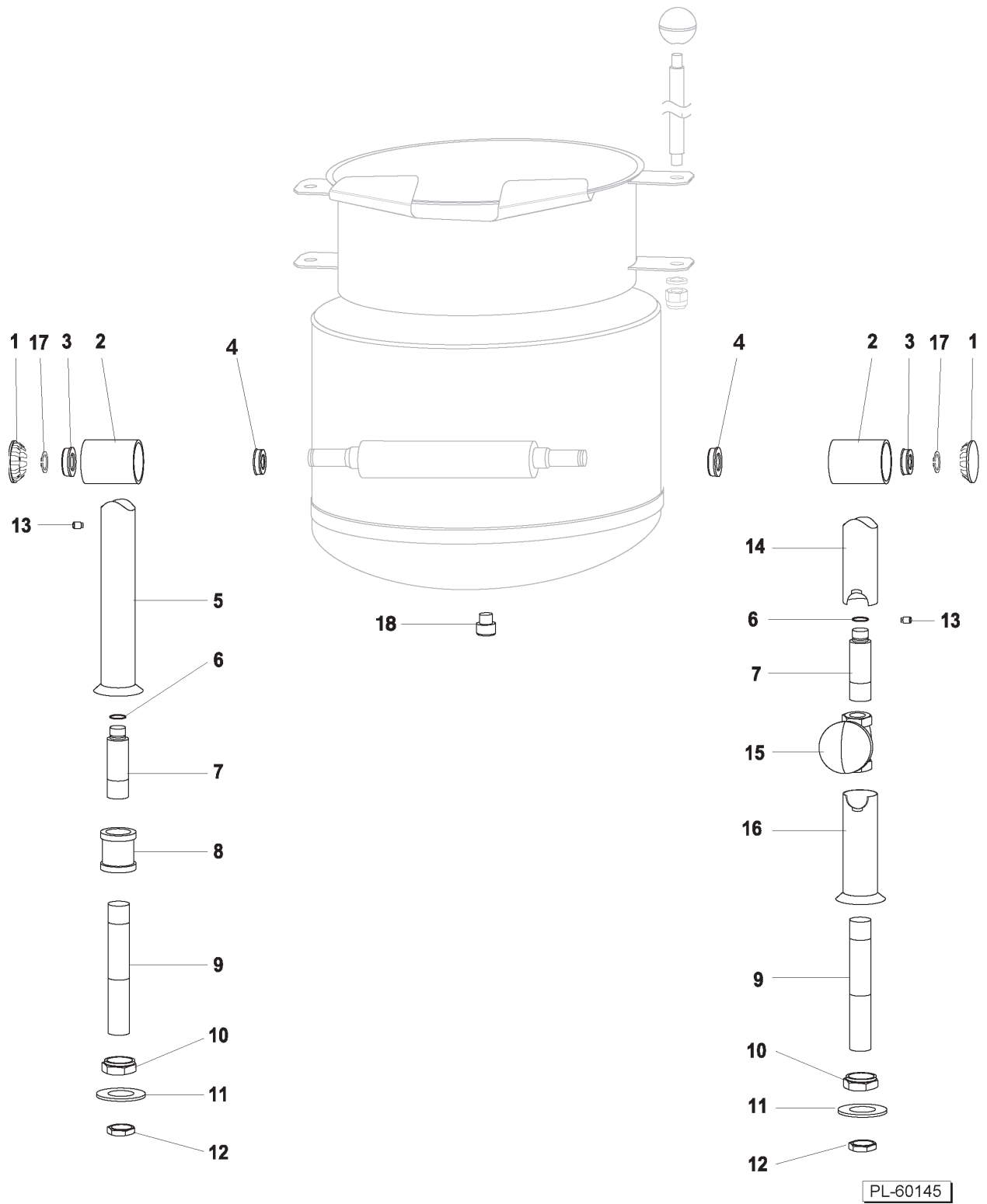
5	K6DTT ASSEMBLY
7	K6DTT TRUNNION LEGS ASSEMBLY
9	K12DTT ASSEMBLY
11	K12DTT PIVOT ASSEMBLY



K6DTT ASSEMBLY

K6DTT ASSEMBLY

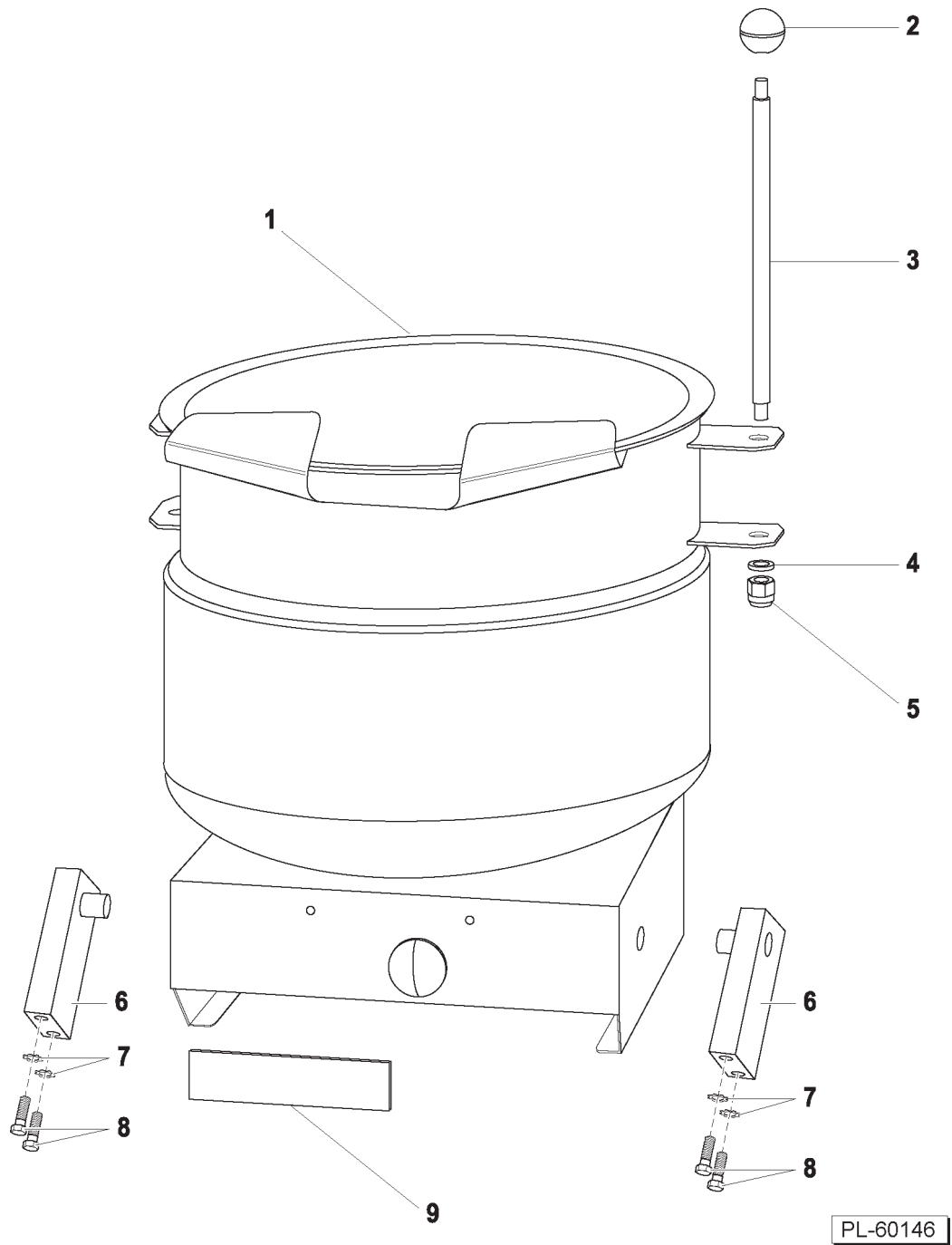
ILLUS.	PART NO.	NAME OF PART	AMT.
PL-60144			
1	00-856072-00002	Kettle - Weldment.....	1
2	00-853285-00001	Knob - Press On.....	1
3	00-856017-00001	Tilt Handle.....	1
4	WL-006-36	Washer, .391 X .750 X .062.....	1
5	NS-049-04	Nut - Acorn 3/8-16 SST.....	1
6	00-856052-00001	Leg - Bumper.....	1



K6DTT TRUNNION LEGS ASSEMBLY

K6DTT TRUNNION LEGS ASSEMBLY

ILLUS.	PART NO.	NAME OF PART	AMT.
PL-60145			
1	PB-004-05	Plug Button (1-1/2).....	2
2	00-856064-00001	Pivot Sleeve & Bushing Assembly.....	2
3	00-856113-00001	Seal, Pivot 3/4.....	2
4	00-856114-00001	Seal, Pivot 7/8.....	2
5	00-856061-00001	Shroud - Leg, Non-Valve Side.....	1
6	OR-001-11	O-Ring.....	2
7	00-856056-00001	Connector, Pivot Leg.....	1
8	FP-057-08	Coupling - pipe, 1/2.....	1
9	FP-090-61	Pipe - 1/2 X 5.250.....	2
10	00-856068-00001	Nut - Jam.....	2
11	WS-031-46	Washer, 0.938 X 2.000 X 0.109.....	2
12	FP-030-16	Lock Nut 1/2 Pipe (Brass).....	2
13	SC-129-37	SCREW - SET 1/4-20 X 3/8.....	2
14	00-856059-00001	Shroud - Leg, Valve Side, Top.....	1
15	00-856053-00001	Valve - Steam.....	1
16	00-856060-00001	NLA - Obsolete--Shroud - Leg, Valve Side, Bottom.....	1
17	RR-012-22	Ring, Retaining.....	2
18	00-856052-00001	Leg - Bumper.....	1

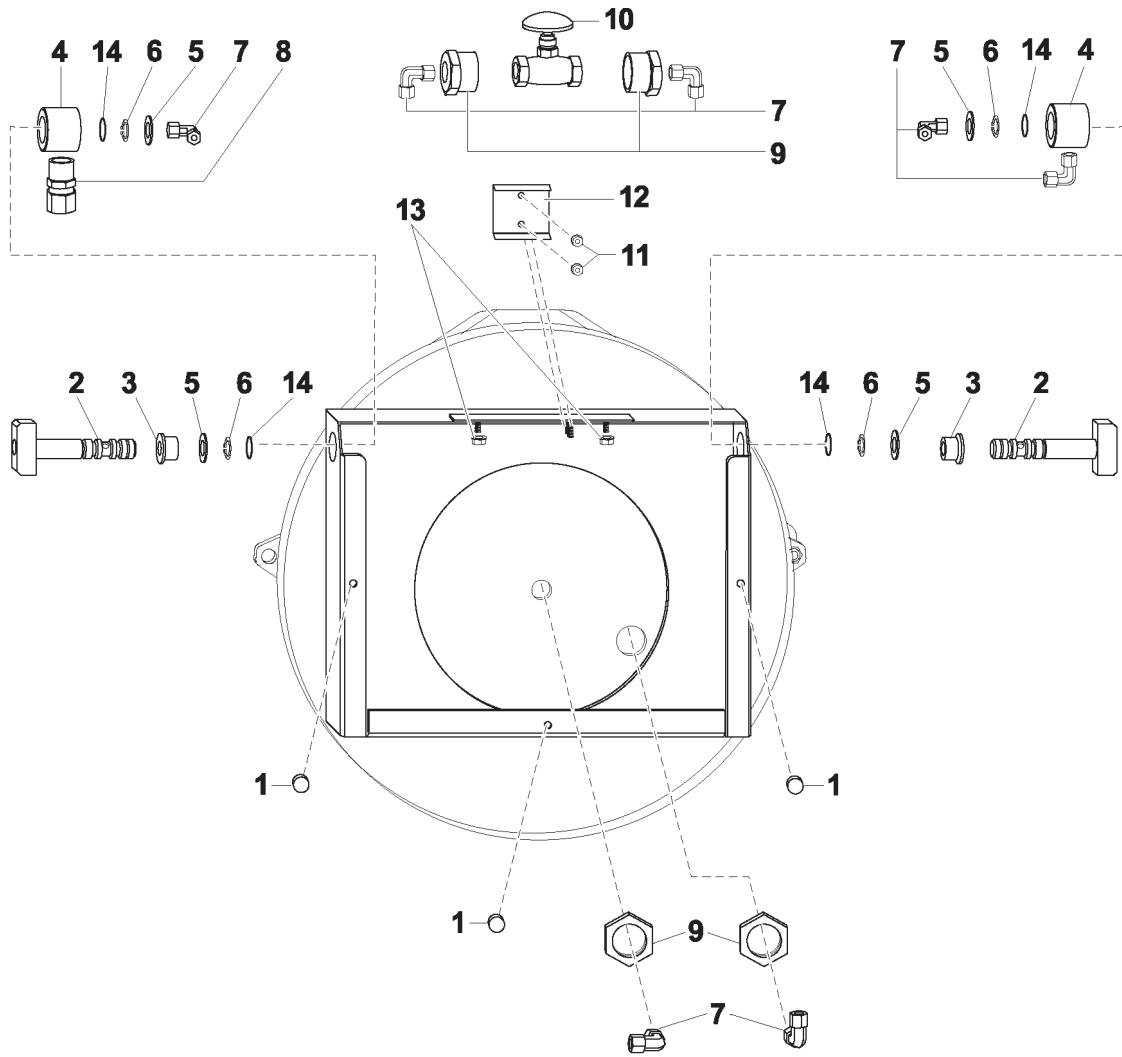


PL-60146

K12DTT ASSEMBLY

K12DTT ASSEMBLY

ILLUS.	PART NO.	NAME OF PART	AMT.
PL-60146			
1	00-856066-00002	Kettle - Weldment.....	1
2	00-853285-00001	Knob - Press On.....	1
3	00-856017-00002	NLA - Obsolete--Handle - Tilt.....	1
4	00-856541-00001	Washer.....	1
5	NS-049-04	Nut - Acorn 3/8-16 SST.....	1
6	00-856540-00001	Block - Pivot Weldment.....	2
7	WL-019-62	Lockwasher 5/16 External (SST).....	4
8	SC-041-11	Cap Screw 5/16-18 x 3/4 Hex Hd. (SST).....	4
9	00-417700-00001	Plate - Logo.....	1



PL-60147

K12DTT PIVOT ASSEMBLY

K12DTT PIVOT ASSEMBLY

ILLUS.	PART NO.	NAME OF PART	AMT.
PL-60147			
1	00-856560-00001	NLA - Obsolete--Bumper - SBR Rubber.....	3
2	00-856540-00001	Block - Pivot Weldment.....	2
3	00-856561-00001	Bearing - Pivot.....	2
4	00-856546-00001	Bushing - Pivot.....	2
5	WS-031-69	Washer, 0.750 x 1.125 x 0.063.....	2
6	RR-012-22	Ring, Retaining.....	4
7	FP-012-11	Fitting - Tube 3/8 TBG x 1/4 MPT (Brass).....	7
8	FP-012-24	Fitting - Tube 3/8 TBG X 1/4 MPT.....	1
9	FP-027-07	Bushing - Pipe 1/2 to 1/4 (Brass).....	4
10	00-856053-00001	Valve - Steam.....	1
11	NS-038-13	Nut - Lock, SP 10-24.....	2
12	00-856545-00001	Bracket - Valve Support.....	1
13	NS-047-28	Nut - Lock, SP 3/16.....	2
14	OR-001-15	O-Ring.....	2

