



INSTALLATION & OPERATION MANUAL

VCH SERIES OVENS *

MODELS:

VCH5	ML-126365
VCH8	ML-126366
VCH16	ML-126367
VCH88	ML-126368

VRT SERIES OVENS *

MODELS:

VRT32I	ML-138024
---------------	-----------

***Manufactured after 2010**



For additional information on Vulcan-Hart or to locate an authorized parts and service provider in your area, visit our website at www.vulcanequipment.com

IMPORTANT FOR YOUR SAFETY

THIS MANUAL HAS BEEN PREPARED FOR PERSONNEL QUALIFIED TO INSTALL ELECTRICAL EQUIPMENT, WHO SHOULD PERFORM THE INITIAL FIELD START-UP AND ADJUSTMENTS OF THE EQUIPMENT COVERED BY THIS MANUAL.

FOR YOUR SAFETY

DO NOT STORE OR USE GASOLINE OR OTHER FLAMMABLE VAPORS OR LIQUIDS IN THE VICINITY OF THIS OR ANY OTHER APPLIANCE.

WARNING

Improper installation, adjustment, alteration, service, or maintenance can cause property damage, injury, or death.

Read the installation, operating and maintenance instructions thoroughly before installing or servicing equipment.

IN THE EVENT OF A POWER FAILURE,

DO NOT ATTEMPT TO OPERATE THIS MACHINE

TABLE OF CONTENTS

IMPORTANT FOR YOUR SAFETY 1

GENERAL 3

 INTRODUCTION 3

 PRINCIPLES OF COOK & HOLD OVENS 3

 BENEFITS OF COOK & HOLD OVENS 4

 COMPARISON OF COOK & HOLD OVENS 5

 INSTALLATION 5

 ELECTRICAL REQUIREMENTS 7

OPERATION 8

 CONTROLS 8

 MANUAL OPERATION 9

 SETTING ADJUSTMENT 9

 QUICK CYCLE 9

 PRE-PROGRAMMED CYCLES 10

 ERR TOO HOT – ALARM 11

 SHUTDOWN 11

 EXTENDED SHUTDOWN 11

MAINTENANCE 12

 CLEANING 12

 DOOR GASKET CARE 12

COOKING 13

 INTRODUCTION 13

 COOKING RACK 13

 BAKERY PRODUCTS 14

COOKING AND HOLDING GUIDE 15 – 16

RE THERMALIZATION GUIDE 17

GRAMS – LBS / OZ CONVERSIONS 18

TEMPERATURES 19

LOCKOUT / TAGOUT PROCEDURE 20

SERVICE & PARTS INFORMATION 20

TROUBLESHOOTING 21

GENERAL

INTRODUCTION

Vulcan-Hart Ovens are produced with quality workmanship and material. Proper installation, usage, and maintenance of your oven will result in many years of satisfactory performance.

The Vulcan Cook & Hold Oven is more than just an oven – it's a "System"; precisely controlled heat, regulated to retain ascorbic acid and maximize the nutritional value, taste and eye-appeal of food. In this environment, virtually any food product can be prepared to delicious perfection in just ONE oven! "System" food preparation eliminates the need for multiple ovens with duplicate features.

This manual is provided to assist persons responsible for the operation

and maintenance of the oven with a simple, but comprehensive understanding of its proper use. We recommend that you thoroughly read this entire manual and carefully follow all of the instructions provided prior to placing the oven into operation.

As with any piece of food service equipment, this oven system requires a minimum of care and maintenance. Recommended procedures are contained in this manual and should become a regular part of the operation of the unit.

Vulcan Cook & Hold Oven is the right choice for low temperature food preparation.

PRINCIPLES OF COOK & HOLD OVENS

Vulcan Cook & Hold Ovens are designed and perfected for cooking at a lower temperature. The principles of Low Temperature Cooking and Holding can be summarized into several objectives: ***increased product yields, increased profits from increased yields, increased moisture retention, increased tenderization, and consistency of doneness.***

When the Vulcan Cook & Hold Oven finishes the cooking cycle, it automatically switches to the hold cycle. Throughout this manual we recommend holding temperatures such as 140°F

(60°C). This temperature refers to the oven's hold temperature setting and not to the internal temperature of the food being roasted. The internal product temperature will run below the hold temperature. (For example: roast beef held at 140°F will be about 130°F internally or medium rare.)

All meat products contain enzymes. These enzymes perform the important function of tenderizing the meat when they reach temperatures of 100°F (38°C) to 140°F (60°C). As these enzymes are heated, they break

down the connective tissue that is inherent in all red meat products.

The hold cycle allows this natural tenderization process to proceed in an orderly manner. As long as the internal temperature of the meat does not exceed 140°F, the process will continue. Once the temperature reaches 140°F the process will stop, because the enzymes will be deactivated.

This tenderization process makes the meat more flavorful. It is similar to aging

meat before it is sold. The longer the hold, the higher degree of tenderization.

Each hour of holding is equal to one day of aging.

VRT MODEL:

The Vulcan VRT Model is also a "Rethermalization Oven System." The VRT Model is specifically designed to retherm chilled/thawed food product as well as prepared frozen food products either in bulk or individually wrapped and sealed packages.

BENEFITS OF COOK & HOLD OVENS

Superior Results: Low temperature roasting has been recognized as the best method for preparing meat and poultry because of increased tenderness, more even roasting, and a juicer product.

Increased Sales: You will attract more customers and have more repeat business because you are now producing a superior product in your market area. All of your products will be unique, from prime rib and chicken to BBQ ribs, pork roasts, and even bakery items!

Reduced Energy Costs: It costs significantly less to run a Vulcan Cook & hold Oven instead of a conventional oven. Also, in most areas, no exhaust hood is needed.

Reduced Shrinkage of Product: You can cut your percent of shrinkage from 25 to 30% down to 5 to 10%. This means more servings to sell to your customers! The Vulcan Cook & Hold

Oven can pay for itself in just months, depending on your volume.

Reduced Labor Cost: Your cooks do not have to come in early to put roasts in or stay late to take them out of the oven. Holding banquet foods in a Vulcan Cook & Hold Oven reduces that last minute party prep to almost nothing.

COMPARISON OF COOK & HOLD OVENS

“The Comparison Stops Here” – more than a catchy slogan, it’s a fact.

Convection ovens, unlike Vulcan Cook & Hold Ovens, blast high temperature dry air over the product. The end result with convection oven cooking is excessive and unnecessary shrinkage.

Vulcan Cook & Hold Oven Systems:

1. Offer a **lifetime heating element warranty.**
2. Provide a **natural roasted brown, caramelized product without coloring agents.** “You can taste the difference.”
3. **Can bake anything** from meat, poultry, fish, cakes, cookies, puff pastries, and even popovers.
4. Are **accurate**, plus or minus 5°F.
5. Are **easy to clean.**
6. Have **stainless steel construction** inside and out.

INSTALLATION

Before installing, verify that the electrical service agrees with the specifications on the rating plate located on the lower back corner of the oven. (Fig. 4) If the supply and equipment requirements do not agree, do not proceed with unpacking and installation. Contact your Vulcan-Hart Customer Service Department immediately.

UNPACKING:

The oven was inspected before leaving the factory. The transportation company assumes full responsibility for safe delivery upon acceptance of the shipment. Immediately after unpacking, check for possible shipping damage to the oven.

If the oven is found to be damaged, save the packaging material and contact the carrier within 15 days of delivery.

Carefully unpack and place in a work accessible area as near the installation position as possible.

1. Open oven door(s) and remove packing material.
2. Check under oven or separate package for racks, pans, etc.
3. Peel off vinyl protection film from oven.

CLEANING:

The oven should be thoroughly cleaned prior to putting into service. Refer to cleaning instructions in this manual.

LOCATION:

For efficient oven operation, choose a location that will provide easy loading and unloading without interfering with the final assembly of food orders.

The installation location must be level and allow adequate clearances for servicing and proper operation.

VCH88 Model:

The VCH88 is simply two (2) VCH8 ovens stacked on top of each other. One (1) oven will come with casters and

a stacking assembly on top. The oven without casters is placed inside the stacking assembly. Each oven has its own power cord.

VRT Models:

The Ramp Unit must be mounted to the floor with supplied mounting brackets and bolts, hard wired by a certified electrician, and sealed to the floor with NSF listed sealant.

(Fig.1 & 2)

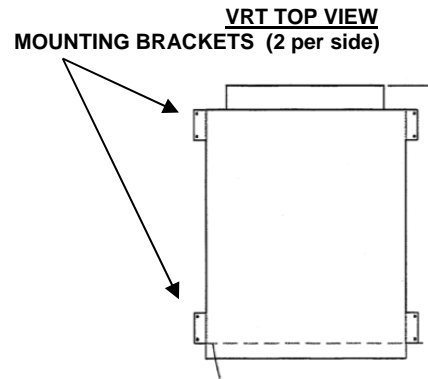


Fig. 1

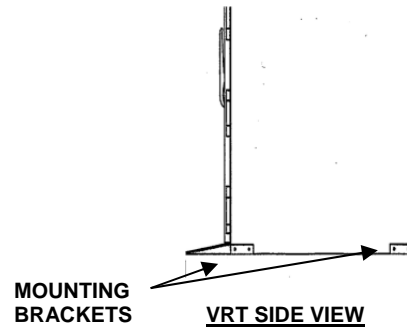


Fig. 2

ELECTRICAL REQUIREMENTS

ELECTRICAL CODES & STANDARDS:

The oven must be installed in accordance with:

In the United States of America:

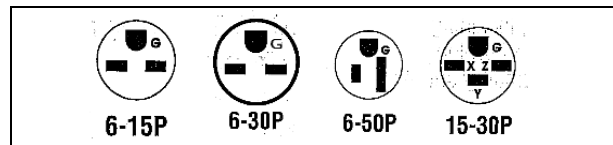
1. State and Local Codes.
2. National Electrical Code, ANSI/NFPA-70 (latest edition.) Copies may be obtained from: The National Fire Protection Association, 1 Batterymarch Park, Quincy, MA 02269.
1-617-770-3000 www.nfpa.org

In Canada:

1. Local Codes.
2. Canadian Electrical Code, CSA C22.1 (latest edition.) Copies may be obtained from: The Canadian Standard Association.
www.csa.ca

ELECTRICAL CONNECTIONS:

The oven is factory wired for single phase 208/240 volt or three phase operation. All ovens are equipped with a 6 foot cord and NEMA 6-15, 6-30, 6-50, or a 15-30 plug as standard equipment. (Fig. 3)





(Fig.3)

Refer to wiring diagrams and Specification Chart in the back of this manual.

The cord and plug supplied is a suitable durable cord with a proper strain relief.

The **VCH88** is simply two (2) VCH8 ovens stacked on top of each other. Each oven has its own power cord.

SERIAL DATA PLATE					
MODEL MODELE	VCH8	DEVICE DISPOSITIF	VCH8-2E1ZN		
ML	126340-BA	MD	APE	SERIAL SERIE	00000001
VOLTS	208-240 V	WATTS	3800-5060 W		
AMPS	19-22	PHASE	1	CYCLE	50/60
 LISTED 12UB COMMERCIAL COOKING APPLIANCE COMMERCIAL DES APPAREILS DE CUISSON		 NSF/ANSI 4 12UB FOR USE ON AN INDIVIDUAL BRANCH CIRCUIT ONLY POUR UTILISATION SUR CIRCUIT INDIVIDUEL SEULEMENT DIRECTION			
VULCAN HART CO. BALTIMORE, MD MADE IN THE USA FROM DOMESTIC & FOREIGN PARTS FABRIQUE AUX ETATS UNIS AVEC DES PIECES CANADIENNES ET FOREGIN					

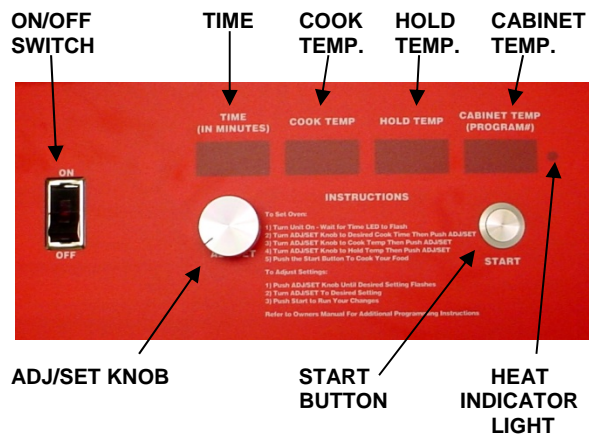
(Fig. 4)

OPERATION

CONTROLS

⚠ WARNING The Oven and its parts are hot. Be very careful when operating, cleaning, or servicing the oven.

All operating controls are located on the front Control Panel(s). The oven is supplied with individual operating controls for each oven cavity.



Power On / Off Switch

The power On/Off switch turns the oven on or off.

TIME (IN MINUTES)

Displays set time.

COOK TEMP.

Displays set Cooking Temperature.

HOLD TEMP.

Displays set Holding Temperature.

CABINET TEMP. (PROGRAM#)

Displays interior temperature, displays programming number in programming mode.

ADJ / SET

ADJ / SET Knob allows Adjustment and Setting changes.

START

Start Button will start the operation or pre-set settings.

Thoroughly clean the oven before initial use.

Please refer to the cleaning instructions in this manual. (Pg. 12)

QUICK CYCLE

The Oven is pre-programmed with default settings of:

Cooking Time - 60 minutes
Cooking Temperature - 350°F
Holding Time – 60 minutes
Holding Temperature - 165°

To start Quick Cycle:

1. **Switch ON/OFF Switch to ON.**
Wait approx.. 3 seconds until Cook Temp. starts blinking.
2. **Push Start Button.**

MANUAL OPERATION

⚠ WARNING The Oven and its parts are hot. Be very careful when operating, cleaning, or servicing the oven.

1. **Switch ON/OFF Switch to ON position.**
Wait approx. 3 seconds
TIME (IN MINUTES) starts blinking.
2. **Turn ADJ/SET Knob** to desired cook time.
3. **Push ADJ/SET Knob** to set cooking time.
Cook Temp. starts blinking.
4. **Turn ADJ/SET Knob** to desired cook temperature.
5. **Push ADJ/SET Knob** to set cooking temperature.
Hold Temp. starts blinking.

6. **Turn ADJ/SET Knob** to desired holding temperature.
7. **Push ADJ/SET Knob** to set holding temperature.
8. **Push the Start Button.**

SETTING ADJUSTMENT

At any time you can adjust the setting by:

1. **Push the ADJ/SET Knob** until the desired setting flashes.
2. **Turn the ADJ/SET Knob** to desired time/temperature.
3. **Push the Start Button** to set your changes.

PRE-PROGRAMMED CYCLES

The Oven can be programmed for 9 cooking/holding cycles. (P-1 thru P-9) To program each cycle, P-1 through P-9, use the following instructions.

PROGRAMMING:

From the "Idle State" while the Time is blinking:

1. **Press and Hold the ADJ/SET Button for 3 seconds.** The time will no longer blink.

The Cabinet Temp. will display "P-0" and is blinking. Turn Adj/Set knob to display P-1, go to step 3.

2. If P-2 through 9 is the desired cycle, **Rotate the ADJ/SET Knob** to the desired pre-programmed cycle.

3. **Press and Hold the ADJ/SET Knob for 3 seconds.**

Time will start blinking.

4. **Rotate the ADJ/SET Knob** to desired time.

5. **Press the ADJ/SET Knob** to accept the time.

Cook Temp. will start blinking.

6. **Rotate the ADJ/SET Knob** to desired cooking temperature.

7. **Press the ADJ/SET Knob** to accept Cook Temp.

Hold Tem. will start blinking.

8. **Rotate the ADJ/SET Knob** to desired holding temperature.

9. **Press the ADJ/SET Knob** to accept Hold Temp.

10. Push Start Button

OPERATING:

1. **Switch ON/OFF Switch to ON.**

During the "Idle State/Time is blinking":

2. **Press and Hold the ADJ/SET Knob for 3 seconds.** The time will no longer blink.

The Cabinet Temp. will display "P-1" and is blinking.

3. **Rotate ADJ/SET Knob** to desired pre-programmed cycle: P-1 through 9.

4. **Press Start Button.**

You can push the ADJ/SET Knob any time to abort the cycle and return to idle.

VENTILATION HOOD REQUIREMENTS

The unit must be installed in accordance with state and local codes, or in the absence of state and local codes, with the National Electrical Code ANSI/NFPA-70 (latest edition) and Standard for Ventilation Control and Fire Protection of Commercial Cooking Operations NFPA 96 (latest edition).

Both are available from The National Fire Protection Association, Batterymarch Park, Quincy, MA 02269. In Canada refer to the Canadian Electrical Code C22.1 Part 1 (latest addition).

ERR TOO HOT – ALARM

The oven reports an **“Over Temperature Condition”** any time the oven temperature reaches **400°F** or higher.

When this condition exists, the oven will sound an audible alarm by emitting a triple beep (**3 quick short beeps**) every **2 seconds** and it will **flash** the message **“Err too Hot”** on the display to alert nearby staff.

This **audible alarm may be temporarily cancelled for 3 minutes by pushing the ADJ/SET Knob**. After the 3 minutes have expired, the alarm will begin beeping again.

The error message on the display cannot be cancelled. The proper action when this alarm is present is to **Turn the oven OFF, unplug the unit, and call for service.**

SHUTDOWN

⚠ WARNING The Oven and its parts are hot. Be very careful when operating, cleaning, or servicing the oven.

1. Switch ON/OFF switch to OFF position.

2. Open door slightly to allow ventilation and a cool down period.

The oven's cooling/exhaust fans located at the left side of the unit will operate until the thermostat sensor shuts them off.

EXTENDED SHUTDOWN

1. Perform the Shutdown procedure.

2. Unplug the oven.

3. After oven has cooled down, thoroughly clean the oven

according to the Cleaning Procedure in this manual.

4. Leave the oven door(s) slightly open to allow ventilation and preservation of door gasket(s).

MAINTENANCE

CLEANING

⚠ WARNING The Oven and its parts are hot. Be very careful when operating, cleaning, or servicing the oven.

⚠ WARNING *Always unplug electrical power supply before cleaning.*

Avoid splashing water into upper areas of the oven to prevent damage to electrical components or connections.

Never spray the unit with a hose. Never use harsh chemicals or abrasive pads to clean the oven.

DAILY:

1. Unplug electrical power supply.
2. Allow oven to go through cool-down period before cleaning.
3. Remove the Interior Side Racks
4. Take the Interior Side Racks to a sink or dishwasher for a thorough cleaning. Use a mild soap and water solution to clean these items.
5. Clean the interior of the oven with a mild soap and a soft damp cloth. Wipe dry with a soft dry cloth.
6. Reassemble oven.
7. Clean the exterior of the oven with a clean damp cloth.

HEAT TINT:

Darkened areas, called "heat tint," may appear on stainless steel exposed to excessive heat. Excessive heat causes the protective film to thicken. This is unsightly, but is not a sign of permanent damage.

DOOR GASKET CARE

DOOR GASKET:

At least once a week, thoroughly check the door gasket for damage/wear. A damaged gasket can cause inefficient and unsatisfactory operation of the oven.

If the gasket requires cleaning:

1. Gently wash gasket using a moist cloth, a mild detergent solution, and warm water.

2. Rinse with a fresh cloth moistened in warm water to remove all traces of detergent.
3. Gently wipe dry with a clean dry cloth.

Never apply food oils, or petroleum lubricants directly to the gasket(s). Petroleum based solvents and lubricants will reduce the gasket's life.

COOKING

INTRODUCTION

This cooking guide has been produced for your Vulcan Cook & Hold Oven System. It should be used as a handy reference when using your oven. The guide has been developed to help answer questions which you may have relating to product preparation as well as making you familiar with the operation of your Cook & Hold Oven.

When using your oven, experiment with your own house specialties. The degree of doneness varies based upon individual preferences. These preferences can be easily accomplished by varying the recommended time guidelines in this manual. The guidelines which are presented in this manual are suggested and have been tested to insure product preparation as indicated.

The concept of “Low Temperature Cooking” is not a science, it is an art. Chefs from around the world vary in terms of the doneness and appearance in the products which they prefer. Therefore, we suggest first understanding what your Oven System will do for the multitude of applications available to you.

COOKING RACK

Depending upon the size of the Cook & Hold Oven, each unit is supplied with a specially designed cooking rack(s). The cooking rack must be used when cooking food products to insure absolute product quality and integrity.

The cooking rack is simply placed inside a standard 18” x 26” sheet tray (2/1 Gastronome) and the product which is to be cooked and held is placed on top of the cooking rack. When more than one product is being prepared, the food products should not be cramped together onto one cooking rack. Sufficient room should separate the products on a single cooking rack to insure proper circulation of air around the product.

When loading the oven, an additional 18” x 26” sheet tray, in an inverted position, (*Fig. 5*) should be placed directly above the food product being prepared. This creates the necessary air flow pattern to produce highly desirable caramelization and uniform roasting of the product.

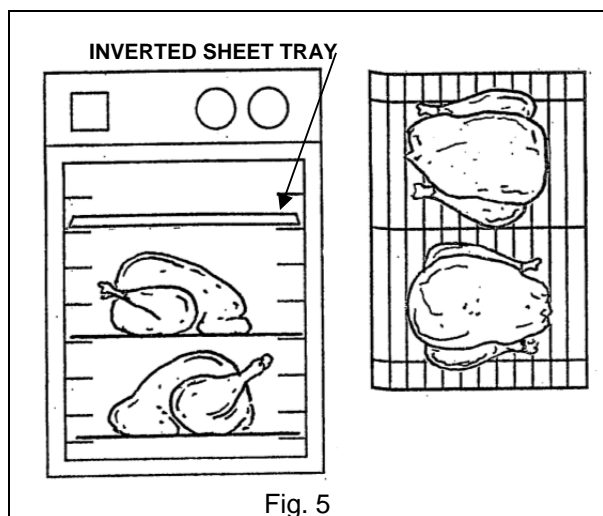


Fig. 5

A helpful hint when loading your food product on the cooking rack is to either line your 18” x 26” sheet tray with foil, or spray with a quality vegetable oil. This helps with easy clean up after use.

BAKERY PRODUCTS

The Cook & Hold Oven System is much more than a prime rib oven. Unlike our competitors, you can do a full range of bakery products. By observing a few simple rules, you can bake: cakes, muffins, cookies, pies, breads, puff pastry, and even beautiful (light as a cloud) popovers and cream puffs.

For Bakery Products:

1. Pre-heat oven before baking.
2. Observe proper loading procedures.

3. Proof yeast products about 50% less than usual.
4. Rotate pans, when product is about ½ done, as you would with any oven.

Baking time takes a little longer in the Cook & Hold Oven, but the results are worth the few minutes extra.

You are baking with about 6000 BTU's compared to 60,000 to 80,000 BTU's in a convection oven. During the extra baking time, think about how you want to invest your energy savings.



COOKING AND HOLDING GUIDE

Please note that as products vary, as well as other elements such as altitude, so shall actual cooking times and temperatures. These should be adjusted as needed based upon your actual experience. Finished product temperatures should be verified manually, prior to serving, in order to insure food safety.

PRODUCT	(DETAILS) WEIGHT	COOK TIME	COOK TEMP.	HOLD TIME	HOLD TEMP.	MAX. INTERNAL TEMP.	LOADING GUIDELINES
Prime Rib	(USDA #109) 20 lbs.	5 hrs.	225° F	4 hrs. min.	140° F	135° F	2 per shelf
Boneless Rib eye	(USDA #112A) 12 lbs.	3 hrs	225° F	4 hrs. min.	140° F	135° F	3 per shelf
Top Round	(USDA #168) 18-20 lbs.	4½-5 hrs.	225° F	4 hrs. min.	140° F	130° F	2 per shelf
Steamship Round	(USDA #160) 60 lbs.	10 hrs.	225° F	4 hrs. min.	140° F	130° F	1 per shelf
Bottom Round	(USDA #170) 20 lbs.	5 hrs.	225° F	8 hrs. min.	140° F	130° F	2 per shelf
Boneless Strip Loin	(USDA #180) 12 lbs.	3 hrs.	225° F	4 hrs. min.	140° F	130° F	3 per shelf
Whole Tenderloin	(USDA #190) 10 lbs.	2½ hrs.	225° F	2 hrs. min.	140° F	130° F	4 per shelf
Top Sirloin Butt	(USDA #184) 12-14 lbs.	3 hrs.	225° F	4 hrs. min.	140° F	135° F	3 per shelf
Beef Short Ribs	10 lbs.	4 hrs.	225° F	4 hrs. min.	155° F	165° F	1 per shelf
Cubed Steaks	10 lbs.	4 hrs.	225° F	3 hrs. min.	160° F	160° F	1 tray per shelf
Beef Back Ribs	30 lbs.	6 hrs.	225° F	4 hrs.	160° F	160° F	4 per shelf
Beef Stew	(Stew Meat) 10 lbs.	4 hrs.	225° F	6 hrs. min.	150° F	175° F	1 tray per shelf
Corned Beef	12 lbs.	4 hrs.	250° F	4 hrs. min.	150° F	165° F	2 per shelf
Frozen Burgers	7-8 lbs.	45 min.	225° F	4 hrs. max	150° F	165° F	24 per shelf
Fresh Ham	12 lbs.	6 hrs.	250° F	4 hrs.	160° F	165° F	2 per shelf
Cooked Cured Ham	12 lbs.	4 hrs.	250° F	4 hrs.	160° F	135° F	2 per shelf
Pork Back Ribs	(USDA #422) 10 lbs.	4 hrs.	250° F	3 hrs. max.	160° F	175° F	6 slabs per shelf
Pork Spare Ribs	30 lbs.	4 hrs.	250° F	4 hrs.	160° F	175° F	5 slabs per shelf
Fresh Sausages	10 lbs.	2 hrs.	225° F	5 hrs. max	160° F	175° F	10 lbs. per shelf
Pre-Cooked Sausage	10 lbs.	1¼ hr.	250° F	5 hrs. max	160° F	160° F	10 lbs. per shelf
Roast Suckling Pig	30 lbs.	6 hrs.	250° F	3 hrs. min.	160° F	170° F	1 per shelf
Bacon		40 min	350° F	n/a	n/a	n/a	36 slices per shelf

PRODUCT	(DETAILS) WEIGHT	COOK TIME	COOK TEMP.	HOLD TIME	HOLD TEMP.	MAX. INTERNAL TEMP.	LOADING GUIDELINES
Chicken Wings	10 lbs.	45 min.	350° F	n/a	150° F	165° F	10 lbs. per shelf
Chicken Pieces	10 lbs.	2¼ hrs.	250° F	1 hr. max.	150° F	170° F	10 lbs. per shelf
Whole Chickens	20 lbs.	2½ hrs.	250° F	5 hrs. max.	150° F	170° F	6 per shelf
Rotisserie Chicken	16-17 lbs.	2½ hrs.	275° F	1 hr. max.	160° F	170° F	6 per shelf
Whole Turkeys	20 lbs.	4½ hrs.	250° F	5 hrs. max.	170° F	170° F	2 per shelf
Turkey Breast,	10 lbs.	4 hrs.	250° F	1 hr.	160° F	160° F	3 per shelf
Roast Duckling	18 lbs.	1½ hrs.	350° F	3 hrs. max.	160° F	170° F	6 per shelf
Rack of Lamb	18 lbs.	3½ hrs.	250° F	3 hrs. max.	140° F	140° F	15 racks per shelf
Braised Lamb Shanks	10-12 lbs.	4 hrs.	250° F	4 hrs. min.	160° F	180° F	1 tray per shelf
Fish Filets	10 lbs.	40 min.	225° F	4 hrs. max.	160° F	160° F	10 lbs. per shelf
Sheet Cakes	18" x 26"	1¼ hrs.	300° F	n/a	n/a	190° F	1 per shelf
Kaiser Rolls		35 min.	350° F	n/a	n/a	190° F	15 per shelf
Italian Bread		40 min.	350° F	n/a	n/a	190° F	6 per shelf
Cookies	Various Types	20-35 min.	325° F	n/a	n/a	n/a	24 per shelf
Pies w/top crust	Various Types 9" dia.	1¼ hrs.	350° F	n/a	n/a	n/a	3 per shelf
Dinner Rolls		30 min.	350° F	n/a	n/a	n/a	42 per shelf
Clear Soups	12" x 20" pans	3 hrs.	250° F	Overnight	160° F	175° F	1 pan per shelf
Frozen Pizzas	18" diameter	40 min.	350° F	2 hrs. max.	160° F	175° F	2 per shelf
Baked Potatoes	12" x 20" pans	1¼ hrs.	350° F	1½ hrs.	170° F	200° F	30 per shelf
Rice	1 Quart Dry	2 hrs.	250° F	18 hrs. max.	150° F	160° F	1 pan per shelf
Frozen Entrees	1 Quart Dry	3 hrs.	250° F	Overnight	160° F	165° F	2 pans per shelf

RE THERMALIZATION GUIDE

ENTRÉE	OVEN TEMP.	REHEAT TIME	HOLD TEMP.	MIN. HOLD TIME
Baked Rotini	225°F	60 min.	160°F	20 min.
Beef & Noodles	225°F	54 min.	160°F	20 min.
Breaded Chicken Pattie on Bun	225°F	60 min.	165°F	20 min.
Burrito	250°F	48 min.	160°F	20 min.
Cheesy Bread/Italian Dunker Sauce	200°F	54 min.	155°F	15 min.
Cheesy Chili	225°F	54 min.	160°F	15 min.
Chicken & Noodles	225°F	54 min.	160°F	20 min.
Chicken & Rice	225°F	54 min.	160°F	20 min.
Chicken Dippers	225°F	54 min.	160°F	20 min.
Chicken Fryz	225°F	48 min.	160°F	20 min.
Chicken Leg	225°F	60 min.	155°F	20 min.
Chicken Nuggets	225°F	60 min.	160°F	20 min.
Chik'n O's, Zesty	225°F	54 min.	160°F	20 min.
French Toast/Sausage Links	225°F	42 min.	160°F	15 min.
Grilled Cheese Sandwich	200°F	42 min.	155°F	15 min.
Grilled Chicken on Bun	225°F	60 min.	165°F	20 min.
Ham & Cheese English Muffin	200°F	54 min.	160°F	20 min.
Hamburger on Bun	250°F	60 min.	165°F	20 min.
Hot Dog on Bun	225°F	54 min.	160°F	20 min.
Italian Spaghetti	250°F	54 min.	160°F	20 min.
Macaroni & Cheese	225°F	48 min.	155°F	20 min.
Mexican Cheese Sauce	200°F	42 min.	155°F	20 min.
Mini Corndogs	225°F	54 min.	160°F	15 min.
Pancakes/Sausage Links	225°F	42 min.	160°F	15 min.
Pizza Dippers	225°F	54 min.	160°F	20 min.
Pizza, Cheese	200°F	42 min.	160°F	20 min.
Pizza, Pepperoni	200°F	54 min.	160°F	20 min.
Pizza, Sausage	200°F	54 min.	160°F	20 min.
Ravioli	250°F	60 min.	165°F	20 min.
Sausage Mini Bites	225°F	54 min.	160°F	15 min.
Steak Nuggets	225°F	60 min.	160°F	20 min.
Taco Boat	225°F	42 min.	160°F	20 min.
Tacos	225°F	42 min.	160°F	20 min.
Turkey & Noodles	225°F	54 min.	160°F	20 min.
Turkey Manhattan	225°F	54 min.	165°F	20 min.

GRAMS - LBS/OZ CONVERSIONS

g. lbs. + oz.		g. lbs. + oz.		g. lbs. + oz.		g. lb. + oz.		g. lbs. + oz.	
25	0.9	1025	2 4.2	2025	4 7.4	3025	6 10.7	4025	8 14.0
50	1.8	1050	2 5.0	2050	4 8.3	3050	6 11.6	4050	8 14.9
075	2.7	1075	2 5.9	2075	4 9.2	3075	6 12.5	4075	8 15.7
100	3.5	1100	2 6.9	2100	4 10.1	3100	6 13.3	4100	9 0.6
125	4.4	1125	2 7.7	2125	4 11.0	3125	6 14.2	4125	9 1.5
150	5.3	1150	2 8.6	2150	4 11.8	3150	6 15.1	4150	9 2.4
175	6.2	1175	2 9.4	2175	4 12.7	3175	7 0	4175	9 3.3
200	7.1	1200	2 10.3	2200	4 13.6	3200	7 0.9	4200	9 4.2
225	7.9	1225	2 11.2	2225	4 14.5	3225	7 1.8	4225	9 5.0
250	8.8	1250	2 12.1	2250	4 15.4	3250	7 2.6	4250	9 5.9
275	9.7	1275	2 13.0	2275	5 0.2	3275	7 3.5	4275	9 6.8
300	10.6	1300	2 13.9	2300	5 1.1	3300	7 4.4	4300	9 7.7
325	11.5	1325	2 14.7	2325	5 2.0	3325	7 5.3	4325	9 8.6
350	12.3	1350	2 15.6	2350	5 2.9	3350	7 6.2	4350	9 9.4
375	13.2	1375	3 0.5	2375	5 3.8	3375	7 7.0	4375	9 10.3
400	14.1	1400	3 1.4	2400	5 4.7	3400	7 7.9	4400	9 11.2
425	15.0	1425	3 2.3	2425	5 5.5	3425	7 8.8	4425	9 12.1
450	15.9	1450	3 3.1	2450	5 6.4	3450	7 9.7	4450	9 13.0
475	1 0.8	1475	3 4.0	2475	5 7.3	3475	7 10.6	4475	9 13.9
500	1 1.6	1500	3 4.9	2500	5 8.2	3500	7 11.5	* 4500	9 14.7
525	1 2.5	1525	3 5.8	2525	5 9.1	3525	7 12.3	4525	9 15.6
550	1 3.4	1550	3 6.7	2550	5 10.0	3550	7 13.2	4550	10 0.5
575	1 4.3	1575	3 7.6	2575	5 10.8	3575	7 14.1	4575	10 1.4
600	1 5.2	1600	3 8.4	2600	5 11.7	3600	7 15.0	4600	10 2.3
625	1 6.0	1625	3 9.3	2625	5 12.6	3625	7 15.9	4625	10 3.1
650	1 6.9	1650	3 10.2	2650	5 13.5	3650	8 0.8	4650	10 4.0
675	1 7.8	1675	3 11.1	2675	5 14.4	3675	8 1.6	4675	10 4.9
700	1 8.7	1700	3 12.0	2700	5 15.2	3700	8 2.5	4700	10 5.8
725	1 9.6	1725	3 12.8	2725	6 0.1	3725	8 3.4	4725	10 6.7
750	1 10.5	1750	3 13.7	2750	6 1.0	3750	8 4.3	4750	10 7.6
775	1 11.3	1775	3 14.6	2775	6 1.9	3775	8 5.2	4775	10 8.4
800	1 12.2	1800	3 15.5	2800	6 2.8	3800	8 6.0	4800	10 9.3
825	1 13.1	1825	4 0.4	2825	6 3.6	3825	8 6.9	4825	10 10.2
850	1 14.0	1850	4 1.3	2850	6 4.5	3850	8 7.8	4850	10 11.1
875	1 14.9	1875	4 2.1	2875	6 5.4	3875	8 8.7	4875	10 12.0
900	1 15.7	1900	4 3.0	2900	6 6.3	3900	8 9.6	4900	10 12.8
925	2 0.6	1925	4 3.9	2925	6 7.2	3925	8 10.5	4925	10 13.7
950	2 1.5	1950	4 4.8	2950	6 8.1	3950	8 11.3	4950	10 14.6
975	2 2.4	1975	4 5.7	2975	6 8.9	3975	8 12.2	4975	10 15.5
1000	2 3.3	2000	4 6.5	3000	6 9.8	4000	8 13.1	5000	11 0.4

—1,000 Grams = 1 Kilogram
 —1 Kilogram = 2.2 Lbs
 —To Convert Kilograms To Lbs.....

Formula: 2.2 Lbs
 X Kilograms
 = U.S. Pounds

* Example From Above: 4.5 Kilograms = **9.9 Lbs**
 Count Three Decimal Points

TEMPERATURES															
Degrees Fahrenheit to Degrees Centigrade								Degrees Centigrade to Degrees Fahrenheit							
F	C	F	C	F	C	F	C	C	F	C	F	C	F	C	F
-40	-40.00	+30	-1.11	+80	+26.67	+250	+121.11	-40	-40.0	+5	+41.0	+40	+104.0	+175	+347
-38	-38.89	31	-0.56	81	27.22	255	123.89	-38	-36.4	6	42.8	41	105.8	180	356
-36	-37.78	32	-0.00	82	27.78	260	126.67	-36	-32.8	7	44.6	42	107.6	185	365
-34	-36.67	33	+0.56	83	28.33	265	129.44	-34	-29.2	8	46.4	43	109.4	190	374
-32	-35.56	34	1.11	84	28.89	270	132.22	-32	-25.6	9	48.2	44	111.2	195	383
-30	-34.44	35	1.67	85	29.44	275	135.00	-30	-22.0	10	50.0	45	113.0	200	392
-28	-33.33	36	2.22	86	30.00	280	137.78	-28	-18.4	11	51.8	46	114.8	205	401
-26	-32.22	37	2.78	87	30.56	285	140.55	-26	-14.8	12	53.6	47	116.6	210	410
-24	-31.11	38	3.33	88	31.11	290	143.33	-24	-11.2	13	55.4	48	118.4	215	419
-22	-30.00	39	3.89	89	31.67	295	146.11	-22	-7.6	14	57.2	49	120.2	220	428
-20	-28.89	40	4.44	90	32.22	300	148.89	-20	-4.0	15	59.0	50	122.0	225	437
-18	-27.78	4	5.00	91	32.78	305	151.67	-19	-2.2	16	60.8	55	131.0	230	446
-16	-26.67	42	5.56	92	33.33	310	154.44	-18	-0.4	17	62.6	60	140.0	235	455
-14	-25.56	43	6.11	93	33.89	315	157.22	-17	+ 1.4	18	64.4	65	149.0	240	464
-12	-24.44	44	6.67	94	34.44	320	160.00	-16	3.2	19	66.2	70	158.0	245	473
-10	-23.33	45	7.22	95	35.00	325	162.78	-15	5.0	20	68.0	75	167.0	250	482
-8	-22.22	46	7.78	96	35.56	330	165.56	-14	6.8	21	69.8	80	176.0	255	491
-6	-21.11	47	8.33	97	36.11	335	168.33	-13	8.6	22	71.6	85	185.0	260	500
-4	-20.00	48	8.89	98	36.67	340	171.11	-12	10.4	23	73.4	90	194.0	265	509
-2	-18.89	49	9.44	99	37.22	345	173.89	-11	12.2	24	75.2	95	203.0	270	518
0	-17.78	50	10.00	100	37.78	350	176.67	-10	14.0	25	77.0	100	212.0	275	527
+1	-17.22	51	10.56	105	40.55	355	179.44	- 9	15.8	26	78.8	105	221.0	280	536
2	-16.67	52	11.11	110	43.33	360	182.22	- 8	17.6	27	80.6	110	230.0	285	545
3	-16.11	53	11.67	115	46.11	365	185.00	- 7	19.4	28	82.4	115	239.0	290	554
4	-15.56	54	12.22	120	48.89	370	187.78	- 6	21.2	29	84.2	120	248.0	295	563
5	-15.00	55	12.78	125	51.67	375	190.55	- 5	23.0	30	86.0	125	257.0	300	572
6	-14.44	56	13.33	130	54.44	380	193.33	- 4	24.8	31	87.8	130	266.0	305	581
7	-13.89	57	13.89	135	57.22	385	196.11	- 3	26.6	32	89.6	135	275.0	310	590
8	-13.33	58	14.44	140	60.00	390	198.89	- 2	28.4	33	91.4	140	284.0	315	599
9	-12.78	59	15.00	145	62.78	395	201.67	- 1	30.2	34	93.2	145	293.0	320	608
10	-12.22	60	15.56	150	65.56	400	204.44	0	32.2	35	95.0	150	302.0	325	617
11	-11.67	61	16.11	155	68.33	405	207.22	+ 1	33.8	36	96.8	155	311.0	330	626
12	-11.11	62	16.67	160	71.11	410	210.00	2	35.6	37	98.6	160	320.0	335	635
13	-10.56	63	17.22	165	73.89	415	212.78	3	37.4	38	100.4	165	329.0	340	644
14	-10.00	64	17.78	170	76.67	420	215.56	4	39.2	39	102.2	170	338.0	345	653
15	- 9.44	65	18.33	175	79.44	425	218.33								
16	- 8.89	66	18.89	180	82.22	430	221.11								
17	- 8.33	67	19.44	185	85.00	435	223.89								
18	- 7.78	68	20.00	190	87.78	440	226.67								
19	- 7.22	69	20.56	195	90.55	445	229.44								
20	- 6.67	70	21.11	200	93.33	450	232.22								
21	- 6.11	71	21.67	205	96.11	455	235.00								
22	- 5.56	72	22.22	210	98.89	460	237.78								
23	- 5.00	73	22.78	215	101.67	465	240.55								
24	- 4.44	74	23.33	220	104.44	470	243.33								
25	- 3.89	75	23.89	225	107.22	475	246.11								
26	- 3.33	76	24.44	230	110.00	480	248.89								
27	- 2.78	77	25.00	235	112.78	485	251.67								
28	- 2.22	78	25.56	240	115.56	490	254.44								
29	- 1.67	79	26.11	245	118.33	495	257.22								

LOCKOUT / TAGOUT PROCEDURE



⚠ WARNING Always perform the Lockout / Tagout Procedure before removing any sheet metal panels or attempting to service this equipment.

The Lockout / Tagout Procedure is used to protect personnel working on an electrical appliance. Before performing any type of maintenance or service on an electrically operated appliance, follow these steps:

1. In electrical box, place unit's circuit breaker into OFF position.
2. Place a lock or other device on electrical box cover to prevent someone from placing circuit breaker ON.
3. Place a tag on electrical box cover to indicate that unit has been disconnected for service and power should not be restored until tag is removed by maintenance personnel.
4. Disconnect unit power cord from electrical outlet.
5. Place a tag on cord to indicate that unit has been disconnected for service and power should not be restored until tag is removed by maintenance personnel.

SERVICE & PARTS INFORMATION

To obtain Service and Parts information concerning this model, contact Vulcan-Hart Service Department at the address listed on the front cover of this manual or refer to our website: www.vulcanequipment.com for a complete listing of Authorized Service and Parts depots.

Customer Service	1-800-814-2028
Technical Service	1-800-814-2028
Service Parts	1-800-814-2028

When calling for service, have the model number and serial number available.

TROUBLESHOOTING

SYMPTOMS	POSSIBLE CAUSES	REMEDY
Oven not operating	Oven not connected to power source	Connect oven to power source
	ON/OFF switch not ON	Press Power ON/OFF switch to ON
	No power	Check circuit breaker
Indicator Lights are lit but Cooling Fan(s) are NOT operating	Oven is below 150°F.	This is normal when unit is cold. If unit is above 150°F., Contact Authorized Service Provider.
	Defective: connection, wiring, fan, thermostat	Contact Authorized Service Provider
Oven compartment IS heating and Blower Motor IS NOT operating with Power Switch ON	Defective connection or wiring to motor	Contact Authorized Service Provider
Oven compartment IS NOT heating and Blower Motor IS operating with Power Switch ON	Defective Cooking Temperature Thermostat	Set Cooking Thermostat to 250°F., wait several minutes and check the rear of the oven for heating. Both the Power Switch and Cooking Temperature Indicator Lights will be lit. If oven cavity does not heat, Contact Authorized Service Provider
	Defective Holding Temperature Thermostat	Turn Holding Temperature knob to 250°F. and check for heat at rear of oven cavity. Both the Power Switch and Cooking Temperature Indicator Lights will be lit. If the oven cavity does not heat, Contact Authorized Service Provider.
	Defective High-Limit Thermostat or Heating Element.	Contact Authorized Service Provider
Incorrect oven temperature	Thermostat(s) require calibration	Contact Authorized Service Provider

The oven has cooling/exhaust fans located at the left side of the unit. These fans may not operate when the oven is first turned on. The cooling/exhaust fans only operate when the thermostat to which they are connected requires them to cool the electrical components.

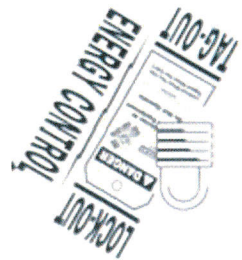
Dépannage

SYMPTOMES	CAUSES POSSIBLES	REMEDES
Le four ne fonctionne pas	Le four n'est pas bien branché	Branchez le four au secteur
	L'interrupteur MARCHE/ARRÊT n'est pas sur MARCHE	Appuyez sur le bouton MARCHE
	Il n'y a pas d'électricité	Vérifiez les disjoncteurs
	Le four est à une température en dessous de 150°F.	Ceci est normal lorsque l'unité est froide. Contactez le prestataire de service agréé si le problème existe à plus de 150°F.
Les voyants sont allumés mais les ventilateurs de refroidissement ne fonctionnent pas.	Mauvais branchement des câbles du ventilateur ou du thermostat	Contactez le prestataire de service agréé.
Le compartiment four CHAUFFE et du moteur du ventilateur NE FONCTIONNE PAS avec l'interrupteur d'alimentation SUR MARCHE	Raccordement ou branchement au moteur défectueux	Contactez le prestataire de service agréé
Le compartiment du four ne chauffe PAS et le souffleur du moteur ne marche PAS	<p>Defective Cooking Temperature Thermostat</p> <p>Régalez le thermostat de cuisson sur 250 o F et vérifiez que l'arrière du four chauffe bien. L'interrupteur de secteur et la lumière de l'indicateur de cuisson doivent être allumés. Si le four ne chauffe pas, contactez le prestataire de service agréé.</p>	<p>Le thermostat de la température de maintien est défectueux.</p> <p>Tournez le bouton-poussoir de la température de maintien sur 250 o F et vérifiez que l'arrière du four chauffe bien. L'interrupteur de secteur et la lumière de l'indicateur de cuisson doivent être allumés. Si le four ne chauffe pas, contactez le prestataire de service agréé.</p>
Le compartiment du four ne chauffe PAS et le souffleur du moteur ne marche PAS	<p>Element de chauffage ou limite haute du thermostat défectueux.</p> <p>Le thermostat doit être recalibré</p>	<p>Contactez le prestataire de service agréé</p>
La température du four est incorrecte		<p>Contactez le prestataire de service agréé</p>

Le four a des ventilateurs de refroidissement / d'échappement situés sur le côté gauche de l'appareil. Ces ventilateurs ne fonctionnent pas lors de la mise en marche initiale du four. Les ventilateurs de refroidissement / d'échappement ne fonctionnent que lorsque le thermostat auquel ils sont reliés leur demande de refroidir les composants électriques.

PROCÉDURE DE VERROUILLAGE / DÉCONSIGNATION

⚠ AVERTISSEMENT
Toujours effectuer la procédure de verrouillage / étiquetage avant de retirer les panneaux de tôle ou de tenter de réparer cet appareil.



La procédure de verrouillage/déconsignation est utilisée pour protéger le personnel travaillant sur un appareil électrique. Avant d'effectuer tout type de maintenance ou d'entretien sur un appareil à commande électrique, procédez comme suit:

1. Dans la boîte électrique, placez le disjoncteur de l'unité en position ARRÊT.
2. Placer un verrou ou un autre appareil sur le couvercle de la boîte électrique pour empêcher quelqu'un de placer le disjoncteur sur MARCHÉ.
3. Placez une étiquette sur le couvercle du boîtier électrique pour indiquer que l'unité a été déconnectée pour service et que la puissance ne devrait pas être rétablie avant que l'étiquette soit enlevée par le personnel de maintenance.
4. Débranchez le cordon unité de la prise électrique.
5. Placez une étiquette sur le couvercle du boîtier électrique pour indiquer que l'unité a été déconnectée pour service et que la puissance ne devrait pas être rétablie avant que l'étiquette soit enlevée par le personnel de maintenance.

INFORMATIONS SUR SERVICE ET PIÈCES

Pour obtenir des informations sur le service et les pièces concernant ce modèle, contactez le Service Vulcan-Hart à l'adresse indiquée sur la page couverture de ce manuel ou consulter notre site Web: www.vulcanequipment.com pour une liste complète des dépôts de service et de pièces autorisés.

Service clients	1-800-814-2028
Service technique	1-800-814-2028
Service pièces	1-800-814-2028

Si vous appelez pour le service, soyez munis du numéro de modèle et du numéro de série.

TEMPERATURES											
Degrees Fahrenheit to Degrees Centigrade				Degrees Centigrade to Degrees Fahrenheit				Degrees Fahrenheit to Degrees Centigrade			
F	C	F	C	F	C	F	C	F	C	F	C
+30	-1.1	+80	+26.7	+250	+121.1	-40	-40.0	+5	+41.0	+40	+104.0
+28	-38.9	81	27.2	255	123.9	-38	-36.4	6	42.8	41	105.8
+26	-37.8	82	27.7	260	126.7	-36	-32.8	7	44.6	42	107.6
+24	-36.7	83	28.3	265	129.4	-34	-29.2	8	46.4	43	109.4
+22	-35.6	84	28.9	270	132.2	-32	-25.6	9	48.2	44	111.2
+20	-34.4	85	29.4	275	135.0	-30	-22.0	10	50.0	45	113.0
+18	-33.3	86	30.0	280	137.8	-28	-18.4	11	51.8	46	114.8
+16	-32.2	87	30.6	285	140.6	-26	-14.8	12	53.6	47	116.6
+14	-31.1	88	31.1	290	143.3	-24	-11.2	13	55.4	48	118.4
+12	-30.0	89	31.7	295	146.1	-22	-7.6	14	57.2	49	120.2
+10	-28.9	90	32.2	300	148.9	-20	-4.0	15	59.0	50	122.0
+8	-27.8	91	32.7	305	151.7	-19	-2.2	16	60.8	55	131.0
+6	-26.7	92	33.3	310	154.4	-18	-0.4	17	62.6	60	140.0
+4	-25.6	93	33.9	315	157.2	-17	+1.4	18	64.4	65	149.0
+2	-24.4	94	34.4	320	160.0	-16	3.2	19	66.2	70	158.0
0	-23.3	95	35.0	325	162.8	-15	5.0	20	68.0	75	167.0
-2	-22.2	96	35.6	330	165.6	-14	6.8	21	69.8	80	176.0
-4	-21.1	97	36.1	335	168.3	-13	8.6	22	71.6	85	185.0
-6	-20.0	98	36.7	340	171.1	-12	10.4	23	73.4	90	194.0
-8	-18.9	99	37.2	345	173.9	-11	12.2	24	75.2	95	203.0
-10	-17.8	100	37.8	350	176.7	-10	14.0	25	77.0	100	212.0
-12	-16.7	105	40.6	355	179.4	-9	15.8	26	78.8	105	221.0
-14	-15.6	110	43.3	360	182.2	-8	17.6	27	80.6	110	230.0
-16	-14.4	115	46.1	365	185.0	-7	19.4	28	82.4	115	239.0
-18	-13.3	120	48.9	370	187.8	-6	21.2	29	84.2	120	248.0
-20	-12.2	125	51.7	375	190.6	-5	23.0	30	86.0	125	257.0
-22	-11.1	130	54.4	380	193.3	-4	24.8	31	87.8	130	266.0
-24	-10.0	135	57.2	385	196.1	-3	26.6	32	89.6	135	275.0
-26	-8.9	140	60.0	390	198.9	-2	28.4	33	91.4	140	284.0
-28	-7.8	145	62.8	395	201.7	-1	30.2	34	93.2	145	293.0
-30	-6.7	150	65.6	400	204.4	0	32.0	35	95.0	150	302.0
-32	-5.6	155	68.3	405	207.2	+1	33.8	36	96.8	155	311.0
-34	-4.4	160	71.1	410	210.0	2	35.6	37	98.6	160	320.0
-36	-3.3	165	73.9	415	212.8	3	37.4	38	100.4	165	329.0
-38	-2.2	170	76.7	420	215.6	4	39.2	39	102.2	170	338.0
-40	-1.1	175	79.4	425	218.3						
-42	0.0	180	82.2	430	221.1						
-44	+1.1	185	85.0	435	223.9						
-46	+2.2	190	87.8	440	226.7						
-48	+3.3	195	90.6	445	229.4						
-50	+4.4	200	93.3	450	232.2						
-52	+5.6	205	96.1	455	235.0						
-54	+6.7	210	98.9	460	237.8						
-56	+7.8	215	101.7	465	240.6						
-58	+8.9	220	104.4	470	243.3						
-60	+10.0	225	107.2	475	246.1						
-62	+11.1	230	110.0	480	248.9						
-64	+12.2	235	112.8	485	251.7						
-66	+13.3	240	115.6	490	254.4						
-68	+14.4	245	118.3	495	257.2						

GRAMS - LBS/OZ CONVERSIONS					
g. lbs. + oz.		g. lb. + oz.		g. lbs. + oz.	
25	0.9	1025	2	4.2	2025
50	1.8	1050	2	5.0	2050
75	2.7	1075	2	5.9	2075
100	3.5	1100	2	6.9	2100
125	4.4	1125	2	7.7	2125
150	5.3	1150	2	8.6	2150
175	6.2	1175	2	9.4	2175
200	7.1	1200	2	10.3	2200
225	7.9	1225	2	11.2	2225
250	8.8	1250	2	12.1	2250
275	9.7	1275	2	13.0	2275
300	10.6	1300	2	13.9	2300
325	11.5	1325	2	14.7	2325
350	12.3	1350	2	15.6	2350
375	13.2	1375	3	0.5	2375
400	14.1	1400	3	1.4	2400
425	15.0	1425	3	2.3	2425
450	15.9	1450	3	3.1	2450
475	16.8	1475	3	4.0	2475
500	17.7	1500	3	4.9	2500
525	18.6	1525	3	5.8	2525
550	19.5	1550	3	6.7	2550
575	20.4	1575	3	7.6	2575
600	21.3	1600	3	8.4	2600
625	22.2	1625	3	9.3	2625
650	23.1	1650	3	10.2	2650
675	24.0	1675	3	11.1	2675
700	24.9	1700	3	12.0	2700
725	25.8	1725	3	12.8	2725
750	26.7	1750	3	13.7	2750
775	27.6	1775	3	14.6	2775
800	28.5	1800	3	15.5	2800
825	29.4	1825	4	0.4	2825
850	30.3	1850	4	1.3	2850
875	31.2	1875	4	2.1	2875
900	32.1	1900	4	3.0	2900
925	33.0	1925	4	3.9	2925
950	33.9	1950	4	4.8	2950
975	34.8	1975	4	5.7	2975
1000	35.7	2000	4	6.5	3000

Formula: 2.2 Lbs X Kilograms = U.S. Pounds

Formula: 1 Kilogram = 2.2 Lbs
 —1 Kilogram = 2.2 Lbs
 —To Convert Kilograms To Lbs.....

* Example From Above: 4.5 Kilograms = 9.9 Lbs
 Count Three Decimal Points

GUIDE DE RE-THERMALISATION

PLAT PRINCIPAL	TEMP. DU FOUR	TEMP DE RÉCHAUFFAGE	TEMP. DE MAINT.	MIN. TEMPS DE MAINT.
Rotini au four	225°F	60 min.	160°F	20 min.
Bœuf aux nouilles	225°F	54 min.	160°F	20 min.
Tranches de poulet pané sur bun	225°F	60 min.	165°F	20 min.
Burrito	250°F	48 min.	160°F	20 min.
Pain au fromage/ Sauce de Dunker italienne	200°F	54 min.	155°F	15 min.
Chili au fromage	225°F	54 min.	160°F	15 min.
Poulet aux nouilles	225°F	54 min.	160°F	20 min.
Poulet au riz	225°F	54 min.	160°F	20 min.
Dippers de poulet	225°F	54 min.	160°F	20 min.
Poulet frit	225°F	48 min.	160°F	20 min.
Cuisse de poulet	225°F	60 min.	155°F	20 min.
Nuggets de poulet	225°F	60 min.	160°F	20 min.
Chik'n O's, Zesty	225°F	54 min.	160°F	20 min.
Pain perdu/saucisses	225°F	42 min.	160°F	15 min.
Sandwich grillé au fromage	200°F	42 min.	155°F	15 min.
Poulet au grill sur bun	225°F	60 min.	165°F	20 min.
Muffin anglais au jambon fromage	200°F	54 min.	160°F	20 min.
Hamburger sur bun	250°F	60 min.	165°F	20 min.
Hot dog et pain	225°F	54 min.	160°F	20 min.
Spaghetti italiens	250°F	54 min.	160°F	20 min.
Macaroni & Fromage	225°F	48 min.	155°F	20 min.
Sauce mexicaine au fromage	200°F	42 min.	155°F	20 min.
Mini Corndogs	225°F	54 min.	160°F	15 min.
Pancakes/Saucisses	225°F	42 min.	160°F	15 min.
Dippers pour pizza	225°F	54 min.	160°F	20 min.
Pizza au fromage	200°F	42 min.	160°F	20 min.
Pizza aux peppéroni	200°F	54 min.	160°F	20 min.
Pizza à la saucisse	200°F	54 min.	160°F	20 min.
Ravioili	250°F	60 min.	165°F	20 min.
Saucisses mini bouchées	225°F	54 min.	160°F	15 min.
Nuggets de bœuf	225°F	60 min.	160°F	20 min.
Taco en bateau	225°F	42 min.	160°F	20 min.
Tacos	225°F	42 min.	160°F	20 min.
Dinde aux nouilles	225°F	54 min.	160°F	20 min.
Dinde Manhattan	225°F	54 min.	165°F	20 min.

PRODUIT	(DÉTAILS) POIDS	TEMPS DE CUISSON	TEMP. DE CUISSON	TEMPS DE MAINT.	TEMP. DE MAINT.	TEMP. INTERNE MAX.	INSTRUCTIONS DE CHARGEMENT
Alles de poulet	10 lbs	45 min.	350° F	n/a	150° F	165° F	10 lbs par étagère
Morceaux de poulet	10 lbs	2½ h	250° F	1 h. max.	150° F	170° F	10 par étagère
Poulets entiers	20 lbs	2½ h	250° F	5 h max.	150° F	170° F	6 par étagère
Poulet de rôtisserie	16-17 lb	2½ h	275° F	1 h. max.	160° F	170° F	6 par étagère
Dindes entières	20 lbs	4½ h	250° F	5 h max.	170° F	170° F	2 par étagère
Poitrine de dinde	10 lbs	4 h	250° F	1 h.	160° F	160° F	3 par étagère
Rôti de canard	18 lbs	1½ h	350° F	3 h max.	160° F	170° F	6 par étagère
Carre d'agneau	18 lbs	3½ h	250° F	3 h max.	140° F	140° F	15 carrés par étagère
Jarret d'agneau braisé	10-12 lbs	4 h	250° F	4 h min.	160° F	180° F	1 plateau par étagère
Filets de poisson	10 lbs	40 min	225° F	4 h max.	160° F	160° F	10 lbs par étagère
Gâteaux feuilleté	18" x 26"	1¼ h	300° F	n/a	n/a	190° F	1 par étagère
Couronnes impériales		35 min.	350° F	n/a	n/a	190° F	15 par étagère
Pain italien		40 min	350° F	n/a	n/a	190° F	6 par étagère
Cookies	Divers	20-35 min	325° F	n/a	n/a	n/a	24 par étagère
Tourtes	Divers dia. 9"	1¼ h	350° F	n/a	n/a	n/a	3 par étagère
Petits pains		30 lbs	350° F	n/a	n/a	n/a	42 par étagère
Potages	Casseroles de 12" x 20"	3 h	250° F	Pendant la nuit	160° F	175° F	1 casserole par étagère
Pizzas congelées	18" de diamètre Casseroles de 12" x 20"	40 min	350° F	2 h max.	160° F	175° F	2 par étagère
Pommes-de-terre au four	Casseroles de 12" x 20"	1¼ h	350° F	1½ h	170° F	200° F	30 par étagère
Riz	1 quart sec	2 h	250° F	18 h maximum	150° F	160° F	1 casserole par étagère
Plats principaux congelés	1 quart volume sec	3 h	250° F	Pendant la nuit	160° F	165° F	2 plaques par étagère

GUIDE POUR LA CUISSON ET LE MAINTIEN EN TEMPÉRATURE

Veillez noter que les produits varient, ainsi que d'autres éléments tels que l'attitude, ainsi en est-il des temps et températures de cuisson réels. Ceux-ci devraient être ajustés au besoin en fonction de votre expérience réelle. Les températures des produits finis doivent être vérifiées manuellement avant de servir afin d'assurer la sécurité alimentaire.

PRODUIT	(DÉTAILS) POIDS	TEMPS DE CUISSON	TEMP. DE CUISSON	TEMPS DE MAINT.	TEMP. DE MAINT.	TEMP. INTERNE MAX.	INSTRUCTIONS DE CHARGEMENT
Entrecôte	(USDA) #109 20 lbs	5 h	225° F	4 h min.	140° F	135° F	2 par étagère
Entrecôte désossée	(USDA) #112A 12 lbs	3 h	225° F	4 h min.	140° F	135° F	3 par étagère
Rouelle	(USDA) #168 18-20 lbs	4½-5 h	225° F	4 h min.	140° F	130° F	2 par étagère
Bifteck coupé dans la ronde	(USDA) #160 60 lbs	10 h	225° F	4 h min.	140° F	130° F	1 par étagère
Bifteck coupé dans la ronde bas	(USDA) #170 20 lbs	5 h	225° F	8 h min.	140° F	130° F	2 par étagère
Bande de longe désossée	(USDA) #180 12 lbs	3 h	225° F	4 h min.	140° F	130° F	3 par étagère
Filet entier	(USDA) #190 10 lbs	2½ h	225° F	2 h min.	140° F	130° F	4 par étagère
Haut de surlonge	(USDA) #184 12-14 lbs	3 h	225° F	4 h min.	140° F	135° F	3 par étagère
Côtes de bœuf	(USDA) #184 10 lbs	4 h	225° F	4 h min.	150° F	165° F	1 par étagère
Corned Beef	12 lbs	4 h	250° F	4 h min.	150° F	165° F	2 par étagère
Burgers congelés	7-8 lbs	45 min.	225° F	4 h max.	150° F	165° F	24 par étagère
Jambon frais	12 lbs	6 h	250° F	4 h	160° F	165° F	2 par étagère
Jambon cuit	12 lbs	4 h	250° F	4 h	160° F	135° F	2 par étagère
Côtes levées de porc (USDA #422)	10 lbs.	4 h	250° F	3 h max.	160° F	175° F	6 plaques par étagère
Travers de porc	30 lbs	4 h	250° F	4 h	160° F	175° F	5 plaques par étagère
Saucisses fraîches	10 lbs	2 h	225° F	5 h max.	160° F	175° F	10 lbs par étagère
Saucisses précuites	10 lbs	1½ h	250° F	5 h max.	160° F	160° F	10 lbs par étagère
Porcelet de lait rôti	30 lbs	6 h	250° F	3 h min.	160° F	170° F	1 par étagère
Bacon		40 min	350° F	n/a	n/a	n/a	36 tranches par étagère

PRODUITS DE BOULANGERIE

Le système four Cook & Hold est bien plus qu'un four à côtes de bœuf. Contrairement à ceux de nos concurrents, vous pouvez avec ce four réaliser une gamme complète de produits de boulangerie. En observant quelques règles simples, vous pouvez faire cuire : gâteaux, muffins, biscuits, tartes, pains, pâte feuilletée, et même de splendides popovers et choux à la crème (légers comme un nuage).

Pour les produits de boulangerie

1. Préchauffer le four avant la cuisson.
2. Respecter les procédures de chargement appropriées.

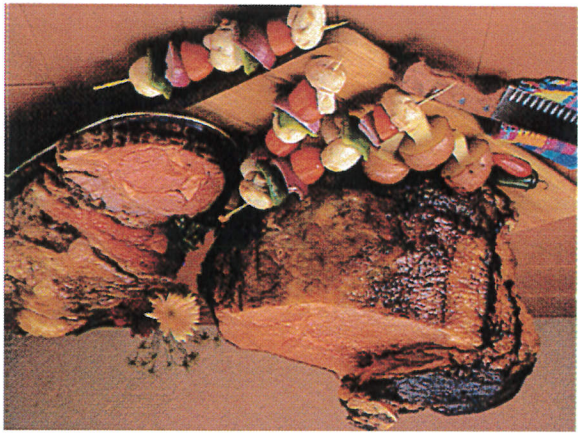


3. Produits utilisent environ 50% de levures en moins que d'habitude.

4. Tournez les plaques, lorsque le produit est environ à 1/2 cuisson, comme vous le feriez avec n'importe quel four.

Le temps de cuisson prend un peu plus dans le four Cook & Hold mais les résultats valent bien les quelques minutes supplémentaires.

Vous cuisinez avec environ 6000 BTU comparativement à 60 000 à 80 000 BTU dans un four à convection. Pendant le temps de cuisson supplémentaire, pensez à comment vous voulez investir vos économies d'énergie.

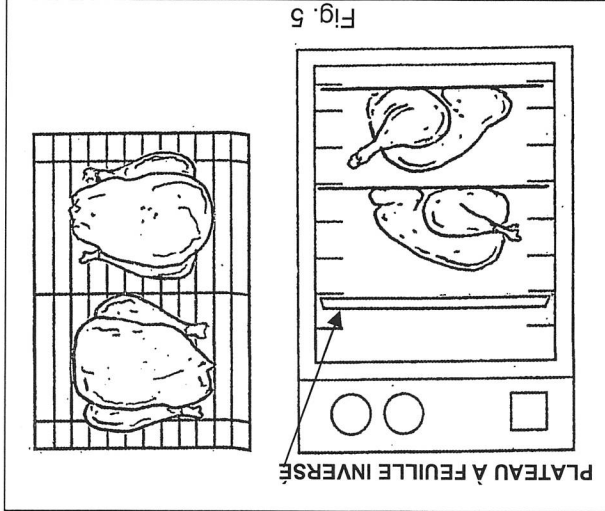


CUISSON

La grille de cuisson est simplement placée dans un plateau à feuille standard de 18" x 26" (2/1 Gastronomie) et le produit qui doit

être cuit et maintenu chaud est placé sur le dessus de la grille de cuisson. Lorsque plus d'un produit est en cours de préparation, les produits alimentaires ne doivent pas être disposés à l'étroit sur un grille de cuisson. Un espace suffisant doit séparer les produits sur une grille de cuisson pour assurer une bonne circulation de l'air autour du produit.

Lors du chargement du four, un plateau à feuille 18" x 26" supplémentaire doit être placé directement au-dessus du produit alimentaire en cours de préparation dans une position inversée (Fig. 5). Ceci crée l'écoulement de l'air nécessaire pour produire la caramélisation que vous souhaitez et un grillage uniforme du produit.



Un conseil utile lorsque vous chargez votre produit alimentaire sur la grille de cuisson est soit de garnir votre plateau à feuille de 18" x 26" ou de l'huiler avec une huile végétale de qualité. Cela aide au nettoyage après usage.

INTRODUCTION

Ce guide de cuisson a été produit pour votre système four Vulcan Cook & Hold. Il devrait être utilisé comme une référence pratique lorsque vous utilisez votre four. Le guide a été élaboré pour répondre aux questions que vous pouvez avoir concernant la préparation des produits ainsi que pour vous familiariser avec le fonctionnement de votre four Cook & Hold.

Lorsque vous utiliserez votre four, expérimentez d'abord avec vos propres spécialités maison. Le degré de cuisson varie en fonction de préférences individuelles. Ces préférences peuvent être facilement atteintes en modifiant les lignes directrices de temps recommandées dans ce manuel. Les lignes directrices qui sont présentées dans ce manuel sont proposées et ont été testées pour assurer la préparation des produits, comme indiqué.

Le concept de « cuisson à basse température » n'est pas une science, c'est un art. Les chefs venant du monde entier ont chacun leur touche en ce qui concerne la cuisson et de l'apparence de leurs produits préférés. Par conséquent, nous vous proposons d'abord de bien comprendre ce que votre système four fera pour la multitude d'applications auxquelles vous pouvez avoir accès.

GRILLE DE CUISSON

Selon la taille du four Cook & Hold, chaque appareil est fourni avec une(des) grille(s) de cuisson spécialement conçue(s). La grille de cuisson doit être utilisée lors de la cuisson de produits alimentaires pour assurer la qualité absolue du produit et de son intégrité.

ENTRETIEN

NETTOYAGE

- AVERTISSEMENT** Le four et ses éléments sont chauds. Soyez très prudent lors de l'utilisation, du nettoyage ou de l'entretien du four.
- AVERTISSEMENT** **Débranchez toujours l'alimentation en électricité avant de nettoyer**
- Éviter les projections d'eau dans les zones supérieures du four pour éviter d'endommager les composants ou les connexions électriques.**
- N'arrosez jamais l'appareil avec un tuyau.**
- Ne jamais utiliser de produits chimiques ni de tampons abrasifs pour nettoyer le four.**

1. Laissez le four passer par période de refroidissement avant de le nettoyer.
2. Retirez les grilles latérales intérieures
3. Mettez les grilles intérieures secondaires à l'intérieur d'un évier ou lave-vaisselle pour un nettoyage approfondi. Utilisez une solution d'eau et de savon doux pour nettoyer ces articles.
4. Si nécessaire, nettoyez l'intérieur du four avec un chiffon humide.
5. Essuyer avec un chiffon doux et sec. Remonter le four.
6. **Ne jamais utiliser de produits chimiques ni de tampons abrasifs pour nettoyer le four.**
7. Nettoyez l'extérieur du four avec un chiffon propre et humide.

TACHES THERMIQUES:

Des zones sombres, appelées « taches thermiques » peuvent apparaître sur l'acier inoxydable exposé à une chaleur excessive. Une chaleur excessive fait que le film de protection s'épaissit. C'est esthétique, mais n'est pas un signe de dommages permanents.

Pour supprimer la tache thermique, suivez la procédure de nettoyage de routine. Les taches de chaleur rebelles exigeront un nettoyage en profondeur. Pour réduire les taches de chaleur limiter l'exposition de l'équipement à une chaleur excessive.

SOINS DU JOINT DE PORTE

JOINT DE PORTE:

- Au moins une fois par semaine, vérifiez soigneusement le joint de la porte pour les dommages / usure. Un joint endommagé peut entraîner un fonctionnement inefficace et insatisfaisant du four.
- Si le joint doit être nettoyé:
1. Lavez délicatement le joint à l'aide d'un chiffon humide, une solution de détergent doux et de l'eau chaude.
 2. Rincez avec un chiffon propre imbibé d'eau chaude pour enlever toute trace de détergent.
 3. Essayez doucement avec un chiffon sec propre.
- Ne jamais appliquer les huiles alimentaires, ou des lubrifiants pétroliers directement au(x) joint(s) d'étanchéité(s). Les solvants et les lubrifiants à base de pétrole vont réduire la vie de la garniture.

EXIGENCES POUR LA HOTTE ASPIRANTE DE VENTILATION

L'appareil doit être installé conformément aux codes nationaux et locaux, s'il n'existe n'en existe pas, nous vous recommandons de vous conformer au code d'électricité national ANSI/NFPA-70 (nouvelle édition), ainsi qu'à la norme 96 de la NFPA, intitulée « Ventilation Control and Fire Protection of Commercial Cooking Operations » (nouvelle édition). Les deux sont disponibles auprès de la National Fire Protection Association, Batterymarch Park, Quincy, MA 02269. Au Canada respectez le Code canadien de l'électricité C22.1 Partie 1 (nouvelle édition).

ERR TROP CHAUD - ALARME

Le four signale une « Surchauffe » chaque fois que la température du four atteint 400° F ou plus.

Lorsque cette condition existe, le four émet une alarme sonore en émettant un bip triple (3 bips courts rapides) toutes les 2 secondes et le message « Err trop chaud » se met à clignoter sur l'écran pour alerter le personnel à proximité.

Cette alarme sonore peut être désactivée temporairement pendant 3 minutes en appuyant le bouton-poussoir RÉGL./PARA. Après que les 3 minutes se sont écoulées, l'alarme se met à émettre des bips de nouveau.

Le message d'erreur sur l'affichage ne peut pas être annulé. L'action appropriée lorsque cette alarme est enclenchée est d'éteindre le four, de débrancher l'appareil et d'appeler le service.

ARRÊT

Le four et ses éléments sont chauds. Soyez très prudent lors de l'utilisation, du nettoyage ou de l'entretien du four.

1. L'interrupteur MARCHE/ARRÊT se met sur ARRÊT.

2. Ouvrir la porte légèrement pour permettre une ventilation et une période de refroidissement. Les fans de refroidissement / d'échappement du four situés sur le côté gauche de l'appareil fonctionneront jusqu'à ce que le capteur du thermostat les éteigne.

ARRÊT PROLONGÉ

1. Exécutez la procédure d'arrêt.
 2. Débranchez le four.
 3. Une fois que le four a refroidi, nettoyez le four selon la Procédure
 4. Laissez la(les) porte(s) du four légèrement ouverte pour permettre la ventilation et de la préservation du(des) joint(s) de porte.
- de nettoyage contenue dans ce manuel.

CYCLES PRÉ-PROGRAMMÉS

Le four peut être programmé pour 9 cycles de cuisson/maintien. (P-1 à P-9) Pour programmer chaque cycle, P-1 à P-9, suivez les instructions suivantes.

PROGRAMMATION :

De « en veille », tandis que l'heure clignote :

7. Appuyez sur le bouton-poussoir RÉGL./PARA. pour accepter la température de cuisson.
8. Tournez le bouton-poussoir RÉGL./PARA. sur la température de maintien que vous désirez.
9. Appuyez sur le bouton-poussoir RÉGL./PARA. pour accepter la température de maintien.
10. Appuyez sur le bouton de Démarrage

FONCTIONNEMENT:

1. L'interrupteur MARCHÉ/ARRÊT se met MARCHÉ.

Pendant « Veille/Temps clignotant » :

2. Appuyez sur et maintenez le bouton-poussoir RÉGL./PARA. enfoncé pendant 3 secondes. Le temps ne clignote plus.

La température sur l'armoire affiche « P-1 » et clignote.

3. Tournez le bouton-poussoir RÉGL./PARA. sur le cycle pré-programmé que vous désirez. P-1 à 9.

4. Appuyez sur le bouton de Démarrage

Vous pouvez appuyer sur le bouton-poussoir RÉGL./PARA. à tout moment pour interrompre le cycle et retourner à veille

2. Si le bouton P-2 à 9 est le cycle désiré, tournez le bouton-poussoir RÉGL./PARA. sur le cycle pré-programmé désiré.

3. Appuyez sur et maintenez le bouton-poussoir RÉGL./PARA. enfoncé pendant 3 secondes.

Le temps va commencer à clignoter.

4. Tournez le bouton-poussoir RÉGL./PARA. sur le temps que vous désirez.

5. Appuyez sur le bouton-poussoir RÉGL./PARA. pour accepter le temps.

La température de cuisson commence à clignoter.

6. Tournez le bouton-poussoir RÉGL./PARA. sur la température de cuisson que vous désirez.

CYCLE RAPIDE

Le four est pré-programmé avec des paramètres par défaut de :

- | | |
|----|---|
| 1. | Interrupteur MARCHE/ARRÊT
SUR MARCHÉ.
Attendez environ 3 secondes que la température de cuisson - 350°F
Temps de maintien - 60 minutes
Température de maintien - 165° |
| 2. | Appuyez sur le bouton de démarrage. |

EMPLOI MANUEL

- AVERTISSEMENT** Le four et ses éléments sont chauds. Soyez très prudent lors de l'utilisation, du nettoyage ou de l'entretien du four.
- | | |
|----|---|
| 1. | Interrupteur MARCHE/ARRÊT
SUR MARCHÉ.
Attendez environ 3 secondes.
TEMPS (EN MINUTES) commence à clignoter. |
| 2. | Tournez le bouton-poussoir RÉGL./PARA. sur le temps de cuisson voulu. |
| 3. | Pressez le bouton-poussoir RÉGL./PARA. pour régler le temps de cuisson. |
| 4. | Tournez le bouton-poussoir RÉGL./PARA. sur la température de cuisson désirée. |
| 5. | Pressez le bouton-poussoir RÉGL./PARA. pour régler la température de cuisson. |
| 6. | Tournez le bouton-poussoir RÉGL./PARA. sur la température de maintien désirée. |
| 7. | Pressez le bouton-poussoir RÉGL./PARA. pour régler la température de maintien. |
| 8. | Pressez le bouton de Démarrage. |

- | | |
|----|---|
| 1. | Interrupteur MARCHE/ARRÊT
SUR MARCHÉ.
Attendez environ 3 secondes.
TEMPS (EN MINUTES) commence à clignoter. |
| 2. | Tournez le bouton-poussoir RÉGL./PARA. sur le temps de cuisson voulu. |
| 3. | Pressez le bouton-poussoir RÉGL./PARA. pour régler le temps de cuisson. |
| 4. | Tournez le bouton-poussoir RÉGL./PARA. sur la température de cuisson désirée. |
| 5. | Pressez le bouton-poussoir RÉGL./PARA. pour régler la température de cuisson. |
| 6. | Tournez le bouton-poussoir RÉGL./PARA. sur la température de maintien désirée. |
| 7. | Pressez le bouton-poussoir RÉGL./PARA. pour régler la température de maintien. |
| 8. | Pressez le bouton de Démarrage. |

RÉGLAGES DES PARAMÈTRES

À tout moment vous pouvez ajuster le réglage :

- | | |
|----|---|
| 1. | Pressez le bouton-poussoir RÉGL./PARA. jusqu'à ce que les paramètres désirés clignotent. |
| 2. | Tournez le bouton-poussoir RÉGL./PARA. sur la température désirée. |
| 3. | Pressez le bouton de Démarrage pour régler vos changements. |

EMPLOI

CONTROLES



Le four et ses éléments sont chauds. Soyez très prudent lors de l'utilisation, du nettoyage ou de l'entretien du four.

Toutes les commandes sont situées sur le(s) panneau(x) de commande avant. Le four est équipé d'éléments de commande individuels pour chaque cavité du four.

Interrupteur d'alimentation marche/arrêt
L'Interrupteur d'alimentation marche/arrêt met en marche ou arrête le four.

TEMPS (EN MINUTES)

Affiche le temps

TEMP. DE CUISSON

Affiche la température de cuisson

TEMP. DE MAINT.

Affiche la température de maintien

TEMP. DE L'ARMOIRE (PROGRAMME#)

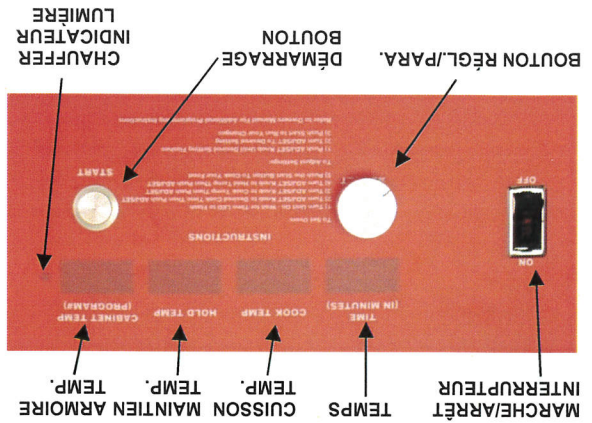
Affiche la température intérieure, affiche le numéro de programmation en mode de programmation.

RÉGL./PARA.

Bouton-poussoir RÉGL./PARA. permet des changements de réglage et de paramétrage.

DÉMARRAGE

Bouton de démarrage va commencer les paramètres de fonctionnement ou les paramètres pré-établis.



Nettoyer soigneusement le four avant la première utilisation.
Veuillez-vous référer aux instructions de nettoyage dans ce manuel. (P. 12)

NORMES ÉLECTRIQUES

NORMES ET CODES ÉLECTRIQUES

RACCORDEMENT ÉLECTRIQUES

Le four doit être installé en conformité :

1. Codes de l'Etat et des collectivités locales.
2. Code électrique national, ANSI / NFPA-70 (dernière édition) Vous pouvez en obtenir un exemplaire à : Association nationale de protection incendie, 1 Battery March Park, Quincy, MA 02269. 1-617-770-3000 www.nfpa.org

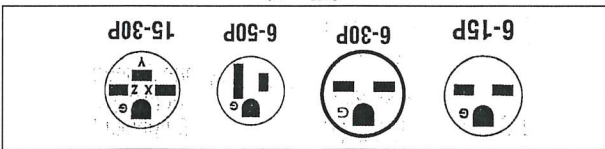
2. Code électrique national, ANSI / NFPA-70 (dernière édition) Vous pouvez en obtenir un exemplaire à : Association nationale de protection incendie, 1 Battery March Park, Quincy, MA 02269. 1-617-770-3000 www.nfpa.org

Au Canada

1. Codes locaux.

2. Code canadien de l'électricité, CSA C22.1 (dernière édition) Vous pouvez en obtenir un exemplaire à : Association des normes canadiennes www.csa.ca

Le four est câblé en usine pour monophasé 208/240 volts ou trois opérations de phase. Tous les fours sont équipés d'un cordon de 6 pieds et NEMA 6-15, 6-30, 6 - 50, ou une fiche de 15-30 en tant qu'équipement standard. (Fig. 3)

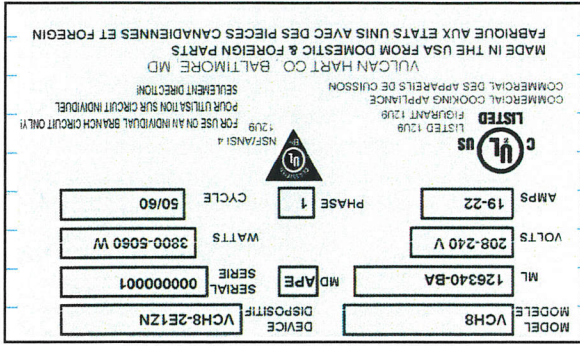


(Fig.3)

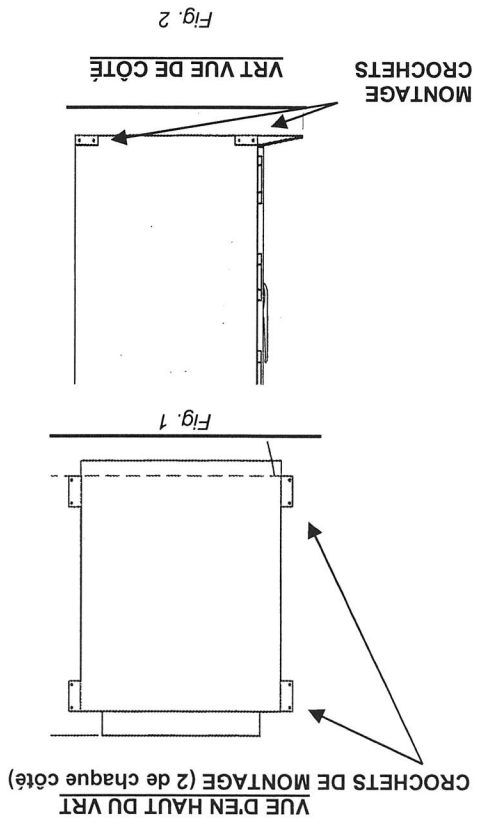
Se reporter aux schémas de câblage et tableaux de spécifications au dos de ce manuel.

Le cordon et la prise fournie est une corde durable conforme avec un réducteur de tension approprié.

Le VCH88 est tout simplement deux (2) fours à VCH8 empilés les uns sur les autres. Chaque four a son propre cordon électrique.



(Fig. 4)



Le modèle VCH88 :
 Le VCH88 est tout simplement deux (2) fours à VCH8 empilés les uns sur les autres. L'un d'eux (1) est livré sur roulettes avec un ensemble d'empilage sur le dessus. Le four sans roulettes est placé à l'intérieur de l'assemblage d'empilage. Chaque four a son propre cordon électrique d'alimentation.

Le modèle VRT :
 L'unité de la rampe doit être fixée au sol avec des supports fournis et des boulons, câblée par un électricien certifié et scellée au sol avec étanchéité NSF.
 (Fig. 1 & 2)

COMPARAISON DES FOURS DE CUISSON MAINTIEN EN TEMPÉRATURE

2. Fournissent un **rôti naturellement brun, caramélisé, sans colorants.** « Vous pouvez goûter la différence. »
Peuvent faire cuire quoi que ce soit depuis de la viande, aux volailles, poissons, gâteaux, biscuits, pâtes feuilletées, pâtisseries et même popovers.
 4. Sont **précis**, plus ou moins 5°F.
 5. Sont **faciles à nettoyer.**
 6. Sont construits **en acier inoxydable** intérieur et extérieur.

« La comparaison s'arrête ici » est plus qu'un slogan accrocheur, c'est un fait.

Les fours à convection, contrairement au four Vulcan Cook & Hold fours, soufflent de l'air sec à haute température sur le produit. Le résultat final de la cuisson au four à convection est un retrait excessif et inutile.

Les systèmes Four Vulcan Cook & Hold :

1. Offrent la **garantie d'un élément chauffant à vie.**

INSTALLATION

1. Ouvrez la(les) porte(s) du four et retirez le matériau d'emballage.
2. Vérifiez sous l'emballage du four ou séparément pour trouver les grilles, casseroles, etc.
3. Enlever la pellicule de protection de vinyle du four.

NETTOYAGE :

Le four doit être nettoyé à fond avant la mise en service. Reportez-vous aux instructions de nettoyage dans ce manuel.

EMPLACEMENT :

Pour le fonctionnement efficace du four, choisir un emplacement qui permettra le chargement et le déchargement sans interférer avec l'assemblage final des commandes de nourriture.

L'emplacement de l'installation et de l'opération doit être de niveau et permettre un dégagement approprié pour assurer l'entretien et l'utilisation adéquats.

Avant l'installation, vérifiez que le service électrique est d'accord avec les indications sur la plaque signalétique située sur le coin intérieur arrière du four. (Fig. 4) Si les conditions d'alimentation et d'équipement ne sont pas en accord, ne procéder pas au déballage et à l'installation. Contactez immédiatement votre service à la clientèle Vulcan-Hart.

DÉBALLAGE :

Le four a été inspecté avant de quitter l'usine. La compagnie de transport quand elle accepte l'envoi assume la pleine responsabilité pour une livraison en sécurité. Immédiatement après le déballage, vérifiez qu'il n'y a pas d'éventuels dommages de transport sur le four.

Si le four est endommagé, conservez le matériau d'emballage et contactez le transporteur dans les 15 jours de la livraison.

Déballer soigneusement et placer le four dans un endroit accessible de travail aussi près de l'emplacement d'installation que possible.

heure de maintien en température est équivalente à un jour de vieillissement.

Modèle VRT:

Le Vulcan modèle VRT est aussi un « Four avec système de remise en température ou re-thermalisation. » Le modèle VRT est spécialement conçu pour remettre en température les produits réfrigérés / décongelés, ainsi que les produits alimentaires préparés, surgelés en vrac ou emballés individuellement ou encore les produits dans des emballages scellés.

Le cycle de maintien permet de procéder à ce processus d'attendrissement naturel de procéder d'une manière ordonnée. Tant que la température interne de la viande ne dépasse pas 140°F, le processus se poursuit. Une fois que la température atteint 140°F le processus s'arrête, parce que les enzymes sont désactivées.

Ce processus d'attendrissement rend la viande plus savoureuse. Il est semblable au processus de vieillissement de la viande avant commercialisation. Plus on la maintient en température, plus haut est le degré d'attendrissement atteint. **Chaque**

AVANTAGES D'UN FOUR DE CUISSON ET DE MAINTIEN EN TEMPÉRATURE

Des résultats supérieurs : Une faible température de rôtissage a été reconnue comme la meilleure méthode pour la préparation de la viande et de la volaille et permet une tendresse accrue de la viande, un produit rôti plus uniforme, et plus juteux.

Augmentation des ventes : Vous attirerez plus de clients et les clients reviendront parce que vous disposez maintenant d'un produit de qualité supérieure dans votre zone de marché. Tous vos produits seront uniques, de la côte de bœuf au poulet, aux côtes levées BBQ et rôtis de porc avec même des articles de boulangerie !

Réduction des coûts énergétiques : Il est moins cher de faire fonctionner un Vulcan Cook & Hold Oven qu'un four conventionnel. En outre, dans la plupart des régions, une hotte aspirante n'est pas nécessaire.

Vous rentrerez dans vos frais en quelques mois, en fonction de votre volume.

Cook & Hold.

Réduction du retrait à la cuisson du produit : Vous pouvez couper votre pourcentage de retrait de 25 à 30 % à 5 à 10%. Cela signifie plus de portions à vendre à vos clients! Avec le four Vulcan

Coût du travail réduit : Vos cuisiniers n'ont pas à venir plus tôt pour mettre les rôtis au four ou à rester plus tard pour les sortir du four. Maintenir au chaud des denrées de banquet dans un four Vulcan Cook & Hold réduit la partie de préparation de dernière minute à presque rien.

GÉNÉRALITÉS

INTRODUCTION

Les fours Vulcan-Hart sont produits avec qualité de fabrication et de matériaux. L'installation, l'utilisation et l'entretien de votre four se traduira en de nombreuses années d'une performance satisfaisante.

Le four Vulcan Cook & Hold est plus qu'un simple four - c'est un « système » : sa chaleur contrôlée avec précision, réglé pour retenir l'acide ascorbique et maximiser la valeur nutritive et conserver le goût et l'attrait pour l'œil de la nourriture. Dans ce contexte, pratiquement n'importe quel produit alimentaire peut être préparé à la perfection et délicieux avec UN SEUL four ! La préparation des aliments avec ce « Système » élimine le besoin de plusieurs fours avec des fonctionnalités en double.

Ce manuel est fourni pour aider les personnes responsables de l'emploi et de l'entretien du four avec une simple, mais complète compréhension de sa bonne utilisation. Nous vous recommandons de bien lire l'intégralité de ce manuel et de suivre attentivement toutes les instructions fournies avant de mettre le four en marche.

Comme avec tout l'équipement de service alimentaire, ce système four nécessite un minimum de soins et d'entretien. Les procédures recommandées sont contenues dans ce manuel et doivent devenir une partie intégrante dans l'emploi de l'unité.

Le four Vulcan Cook & Hold est le bon choix pour la préparation des aliments à basse température.

PRINCIPES DU FOUR DE CUISSON ET DE MAINTIEN EN TEMPÉRATURE

que 140°F (60°C). Cette température se réfère au réglage de la température du four et non à la température interne de l'aliment étant rôti. La température interne du produit sera en dessous de la température de maintien. (Par exemple : rôti de bœuf qui s'est maintenu à 140°F sera à environ 130°F à l'intérieur ou saignant)

Tous les produits à base de viande **contiennent des enzymes**. Ces enzymes jouent le rôle important dans l'attendrissement de la viande quand elle

atteint une température de 100°F (38°C) à 140°F (60°C). Comme ces enzymes sont chauffés, ils décomposent le tissu conjonctif qui est inhérent à tous les produits à base de viande rouge.

Les fours Vulcan Cook & Hold sont conçus et perfectionnés pour la cuisson à une température inférieure. Les principes de la cuisson à basse température et de la maintenance en température peuvent être résumés en plusieurs objectifs :

augmentation des rendements des produits, accroissement des avantages, augmentation de rendements, augmentation de la rétention d'eau dans les aliments, augmentation de l'attendrissement et meilleure cohérence de la cuisson.

Lorsque le four Vulcan Cook & Hold termine son cycle de cuisson, il passe

automatiquement au cycle de maintien. Tout au long de ce manuel, nous conseillons températures de maintien telles

TABLE DES MATIÈRES

1	IMPORTANT POUR VOTRE SÉCURITÉ.....
3	GÉNÉRALITÉS.....
3	INTRODUCTION.....
3	PRINCIPES DE CUISSON ET MAINTENANCE EN TEMPÉRATURE DU FOUR.....
3	AVANTAGES D'UN FOUR DE CUISSON ET DE MANTEN EN TEMPÉRATURE.....
4	COMPARAISON DES FOURS DE CUISSON MANTIEN EN TEMPÉRATURE.....
5	EN TEMPÉRATURE.....
5	INSTALLATION.....
5	NORMES ÉLECTRIQUES.....
7	EMPLOI.....
8	CONTRÔLES.....
8	MODE D'EMPLOI.....
9	PARAMÈTRES D'INSTALLATION.....
9	CYCLE RAPIDE.....
9	CYCLES PRÉ-PROGRAMMÉS.....
10	ERR TROP CHAUD – ALARME.....
11	ARRÊT.....
11	ARRÊT PROLONGÉ.....
11	ENTRETIEN.....
12	NETTOYAGE.....
12	ENTRETIEN DU JOINT DE PORTE.....
12	CUISSON.....
13	INTRODUCTION.....
13	GRILLES DE CUISSON.....
13	PRODUITS DE BOULANGERIE.....
14	GUIDE POUR CHAUFFER ET MANTIEN EN TEMPÉRATURE.....
15 – 16	GUIDE DE RE-THERMALISATION.....
17	CONVERSION GRAMMES – LBS / OZ.....
18	TEMPÉRATURES.....
19	PROCÉDURE DE BLOCAGE ET DÉCONSIGNATION.....
20	INFORMATIONS DE MAINTENANCE ET PIÈCES DÉTACHÉES.....
20	DÉPANNAGE.....
21	

IMPORTANT POUR VOTRE SÉCURITÉ

CE MANUEL A ÉTÉ PRÉPARÉ POUR DU PERSONNEL QUALIFIÉ EN MESURE DE PROCÉDER AU DÉMARRAGE ET RÉGLAGES SUR SITE DE L'ÉQUIPEMENT COUVERT PAR CE MANUEL.

POUR VOTRE SÉCURITÉ

NE PAS ENTREPOSER NI UTILISER
D'AUTRES VAPEURS OU LIQUIDES
INFLAMMABLES A PROXIMITÉ DE CET APPAREIL
OU DE TOUT AUTRE APPAREIL.



Une installation, des réglages impraires, des modifications, une réparation ou un entretien peuvent entraîner des dommages matériels, des blessures ou la mort.

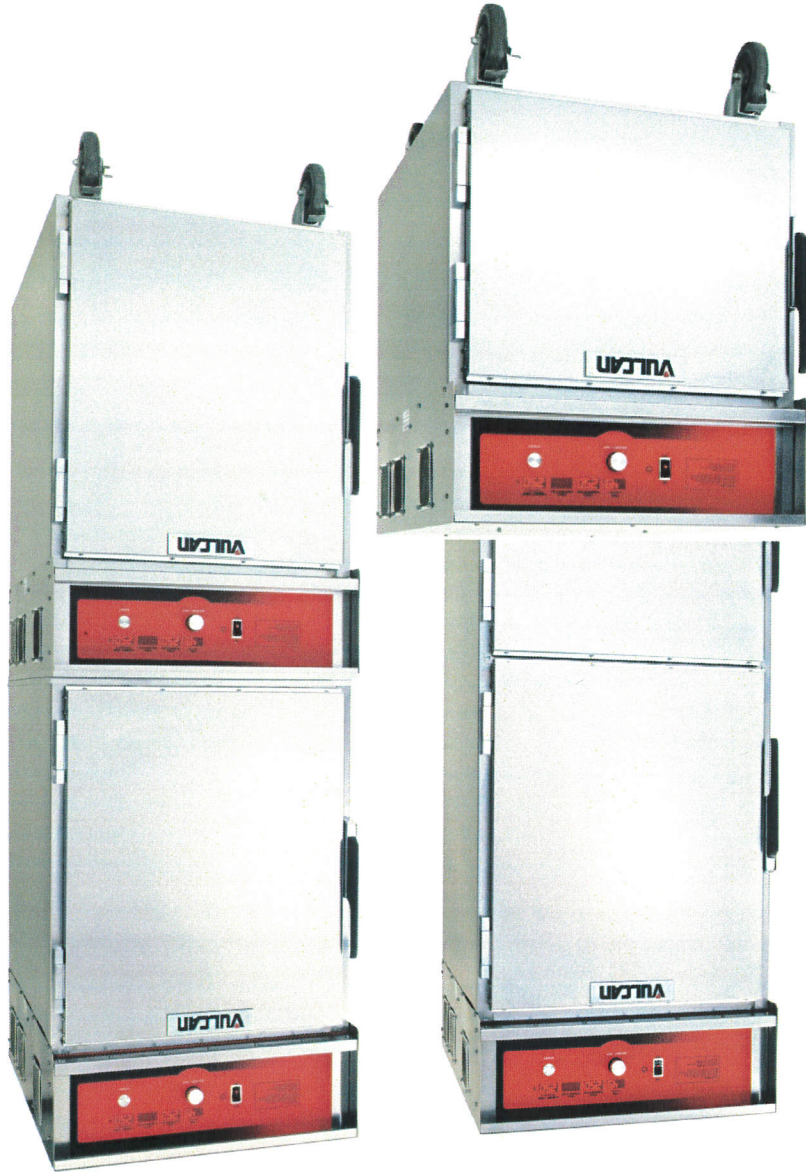
Lisez attentivement les instructions d'installation, d'emploi et d'entretien avant d'installer ou de réparer l'équipement.

EN CAS DE PANNE DE COURANT,

NE PAS TENTER D'UTILISER CETTE MACHINE



INSTALLATION & MODE D'EMPLOI



FOURS SÉRIE * VCH * MODÈLES:

VCH5 ML-126365
VCH8 ML-126366
VCH16 ML-126367
VCH88 ML-126368

FOURS SÉRIE * VRT * MODÈLES:

VRT321 ML-138024

*Fabriqués après 2010

Pour plus d'informations sur Vulcan-Hart ou pour localiser un revendeur et prestataire de service agréé de pièces dans votre région, visitez notre site Web à www.vulcanequipment.com

DIVISION
VULCAN DU GROUPE ITW FOOD Equipment, LLC
3600 NORTH POINT BLVD.
BALTIMORE, MD 21222
www.vulcanequipment.com
Vulcan ©2016 Tous droits réservés
F-41162 (02-16)