



CATALOG OF REPLACEMENT PARTS



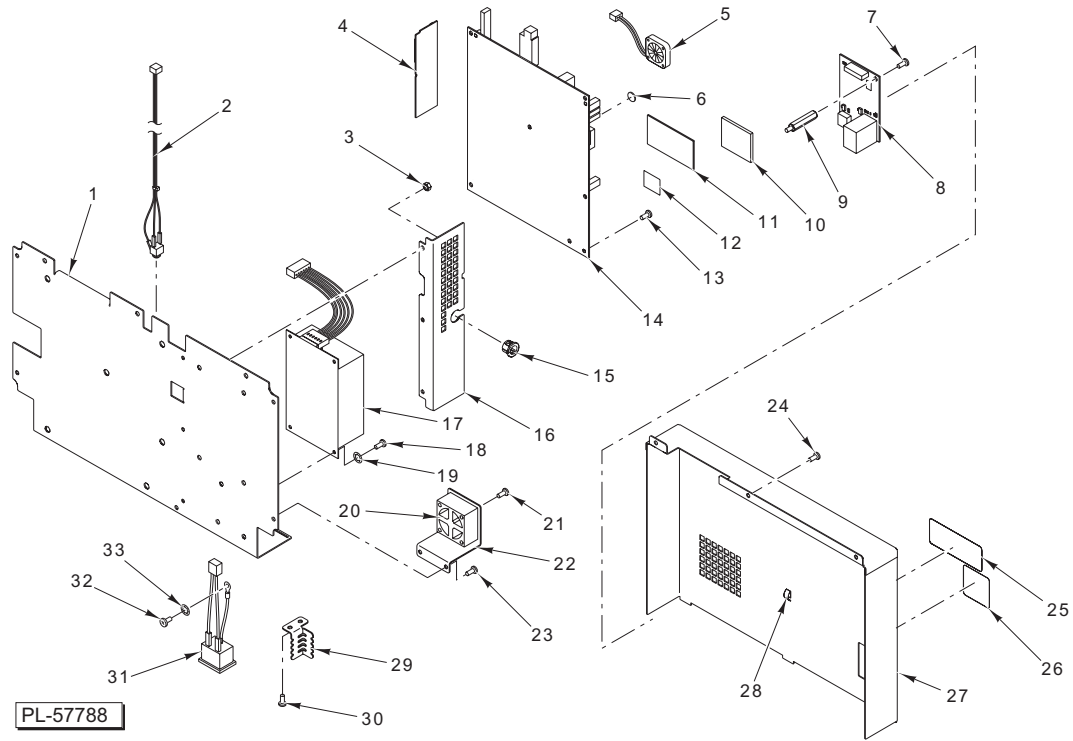
15829

ACCESS PREPACK SYSTEM

ML-29268	EPP-1 Printer
ML-29269	EPCP-1 Console
ML-29275	EPSA-1 Scale
ML-29276	EPSA-2 Scale

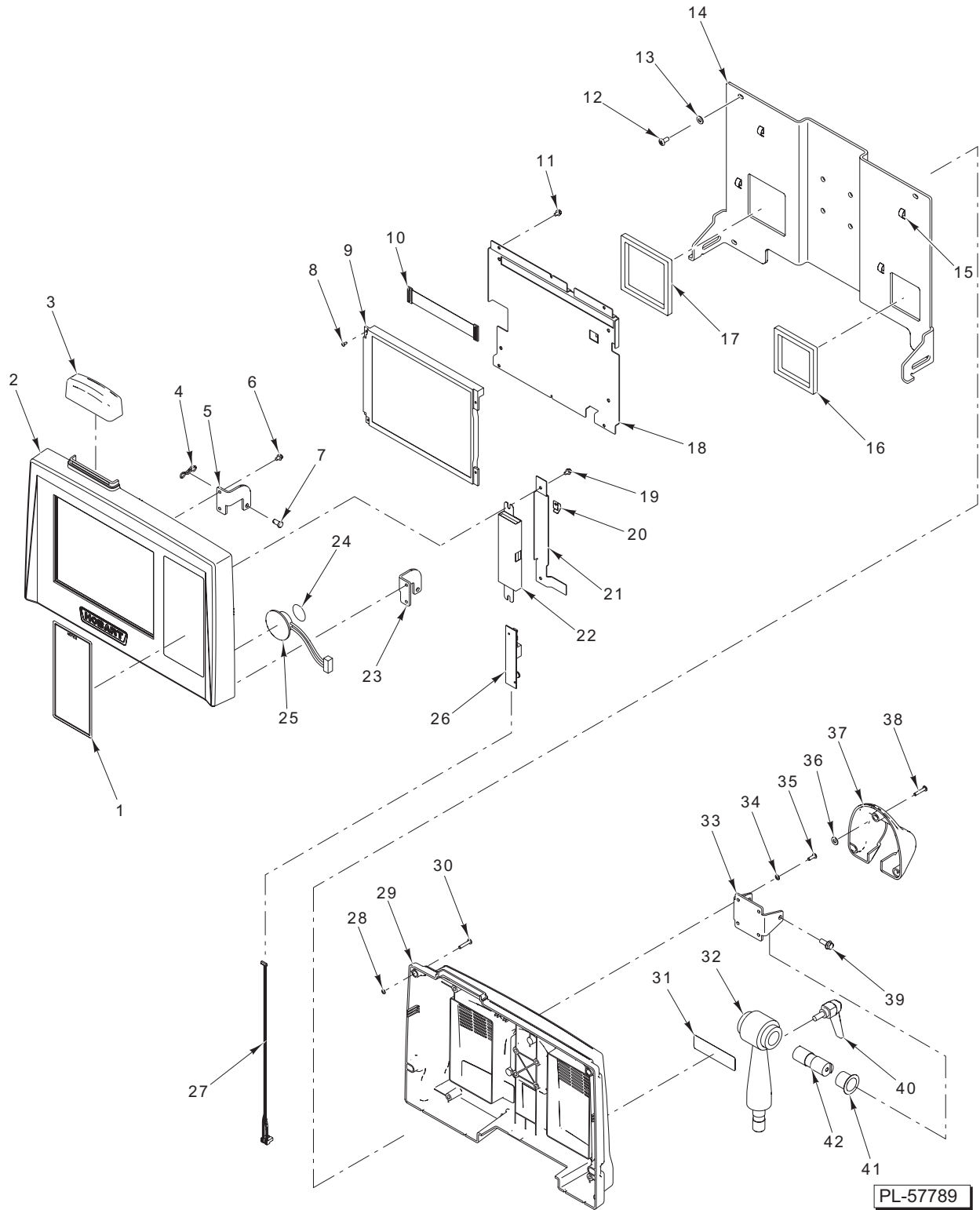
Table of Contents

3	CONSOLE COMPONENTS
5	DISPLAY COMPONENTS
7	PRINTER (LEFT SIDE)
9	PRINTER (RIGHT SIDE)
11	PRINTER (BOTTOM)
13	PRINthead ASSEMBLY
15	SCALE ASSEMBLY
16	ACCESSORIES



CONSOLE COMPONENTS

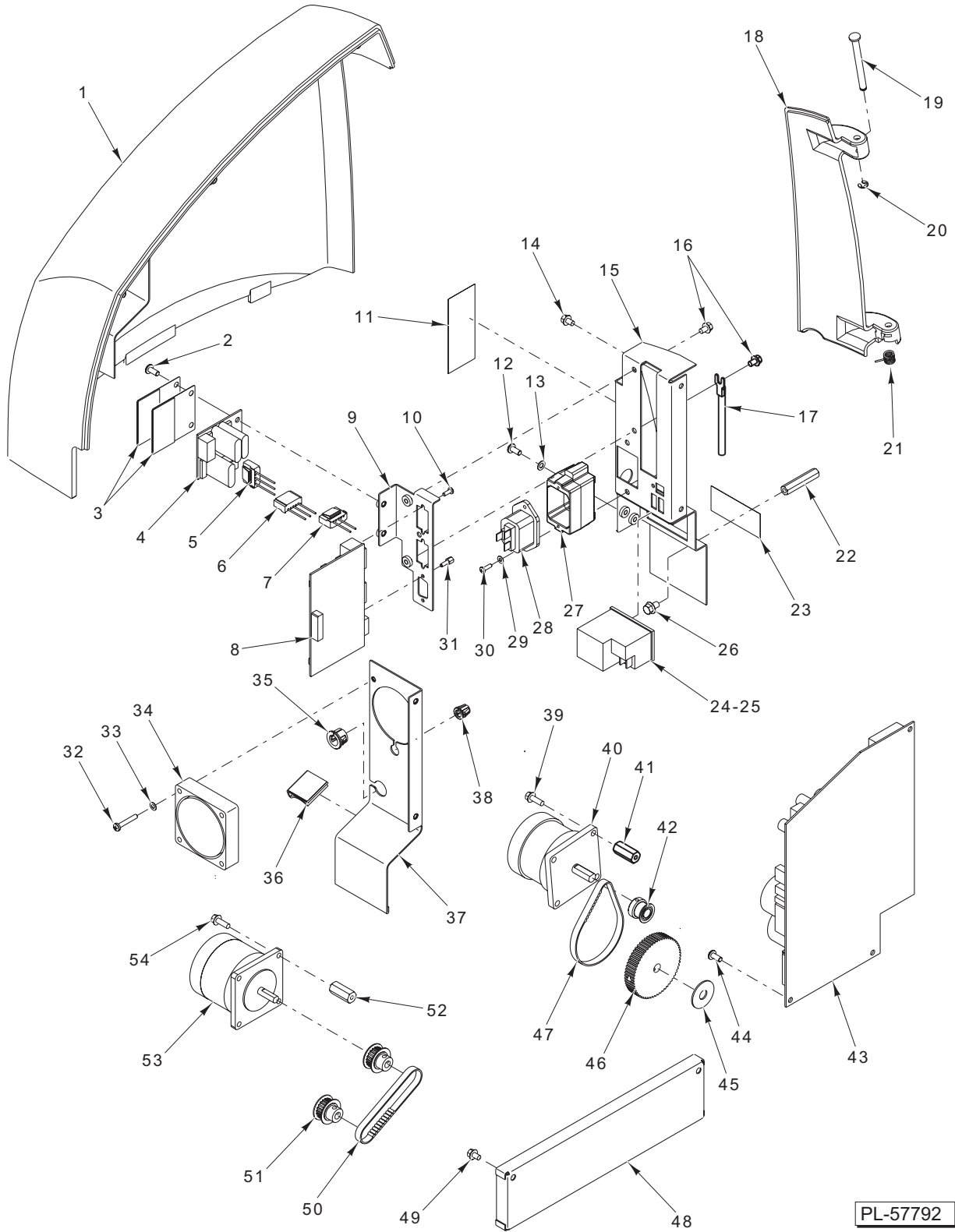
ILLUS.	PART NO.	NAME OF PART	AMT.
PL-57788			
1	00-442716	Base Assy. – Box	1
2	00-442876	Cable Assy. – Audio Line Out	1
3	NS-011-12	Nut 8-32 Hex (SST)	3
4	00-443670	Board Assy. – TFT Video Interface	1
5	00-443439	Fan (CPU).....	1
6	00-441827	Battery – Lithium (CR2032)	1
7	SC-018-30	Mach. Screw 8-32 x 1/4 Phil. Pan Hd.....	2
8	00-441915	Board Assy. – USB/Ethernet.....	1
9	00-442711	Standoff	2
10	00-443080-00003	Flash – Compact (Programmed)	1
11	00-441970	Board Assy. (128MB, SDRAM)	1
12	00-442901	Label (V.x Works).....	1
13	SC-018-30	Mach. Screw 8-32 x 1/4 Phil. Pan Hd.....	4
14	00-441860	Board Assy. – Console.....	1
15	FE-023-52	Bushing – Split.....	1
16	00-442718	Wall – Console Middle	1
17	00-442957	Power Supply Assy. – Console (With Wire Harness).....	1
18	SC-111-76	Mach. Screw 4-40 x 5/16 Phil. Pan Hd.	4
19	WL-008-45	Lockwasher #4 Internal.....	4
20	00-441944	Fan Assy.	1
21	00-442952	Screw – Fan.....	4
22	00-442721	Bracket – Fan Mount	1
23	SC-128-55	Mach. Screw 8-32 x 1/4 Hex Hd.....	2
24	SC-128-55	Mach. Screw 8-32 x 1/4 Hex Hd.....	3
25	00-438131-061-1	Label – Warning (California)	1
26	00-442699	Label – Warning.....	1
27	00-442717	Cover – Box.....	1
28	00-184929	Contact – Finger (Qty. of 8)	AR
29	00-442990	Bracket – Cable Hold.....	1
30	SC-128-55	Mach. Screw 8-32 x 1/4 Hex Hd.....	2
31	00-441987	Power Input Assy.	1
32	SC-018-30	Mach. Screw 8-32 x 1/4 Phil. Pan Hd.....	1
33	WL-008-07	Lockwasher #8 Internal.....	1
	00-251199	Tie – Cable.....	1



DISPLAY COMPONENTS

DISPLAY COMPONENTS

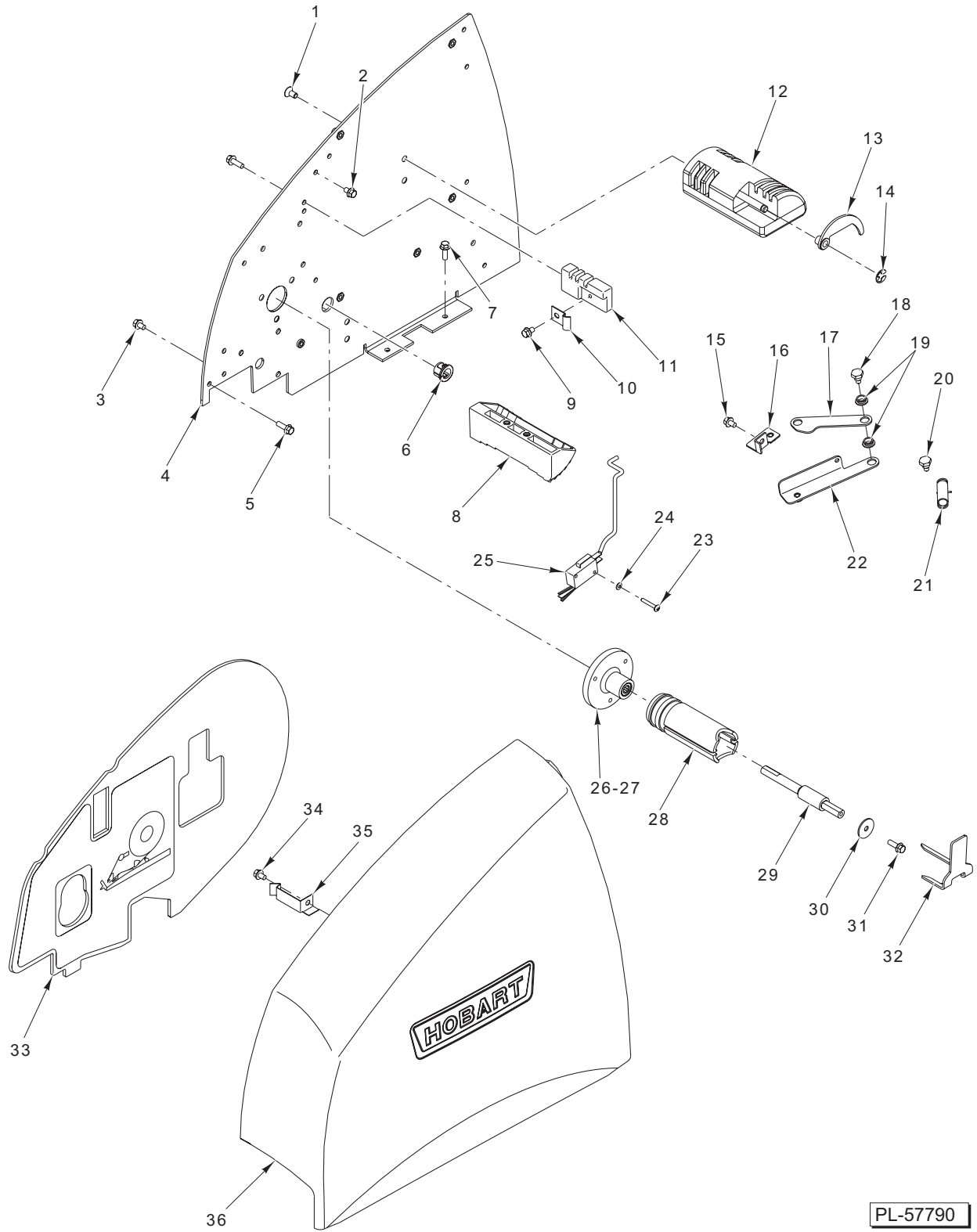
ILLUS.	PART NO.	NAME OF PART	AMT.
PL-57789			
1	00-444122	Label – Dry Erase	1
2	00-443413-00001	Housing Assy. – Front (Black) (Incls. Item 1).....	1
3	00-442703-00003	Cap – Antenna (Black).....	1
4	00-442733	Pin – Cotter (Locking).....	2
5	00-442708	Hinge – Front (Left).....	1
6	SC-128-55	Mach. Screw 8-32 x 1/4 Hex Hd.....	AR
7	00-442729	Pin – Clevis.....	2
8	SC-126-48	Mach. Screw 4-40 x 1/4 Phil. Pan Hd.....	4
9	00-442845	Display – Color (10.4 In.) (With Pink/White Harness).....	1
10	00-441996	Cable – Video (41 Pos.).....	1
11	SC-128-55	Mach. Screw 8-32 x 1/4 Hex Hd.....	4
12	SC-018-31	Mach. Screw 8-32 x 3/8 Phil. Pan Hd.....	4
13	WS-023-22	Washer.....	4
14	00-442706	Plate – Support.....	1
15	00-184929	Contact – Finger (Qty. of 8)	AR
16	00-442719	Gasket – Plenum (2.5 In.).....	1
17	00-442735	Gasket – Plenum (3.0 In.).....	1
18	00-442946	Plate – Display Mount.....	1
19	SC-128-55	Mach. Screw 8-32 x 1/4 Hex Hd.....	2
20	00-184929	Contact – Finger (Qty. of 8)	AR
21	00-442949	Cover – LCD Inverter.....	1
22	00-442955	Shield Assy. – Inverter	1
23	00-442709	Hinge – Front (Right)	1
24	00-442736	Pad – Speaker	1
25	00-441941	Speaker Assy.	1
26	00-442846	Inverter – Display (Two Tube).....	1
27	00-442850	Cable Assy. – Inverter (DC Power)	1
28	00-442732	Washer – Retainer	AR
29	00-442701-00003	Housing Assy. – Rear (Black)	1
30	SC-112-91	Mach. Screw 8-32 x 7/8 Phil. Pan Hd.....	4
31	00-443066	Label – Notice	1
32	00-442730	Post Assy. – Console	1
33	00-442713	Bracket – Console Mount	1
34	WS-023-20	Washer.....	4
35	SC-110-31	Mach. Screw 10-24 x 3/4 Hex Hd.....	4
36	00-442732	Washer – Retainer	3
37	00-442704	Cover – Console Mount	1
38	SC-093-04	Mach. Screw 8-32 x 1/2 Phil. Pan Hd.....	3
39	SC-123-92	Mach. Screw 1/4-20 x 5/8 Special.....	2
40	00-442734	Knob – Console Mount	1
41	00-438280	Bushing – Nylon.....	2
42	00-442712	Pivot – Console Mount.....	1



PRINTER (LEFT SIDE)

PRINTER (LEFT SIDE)

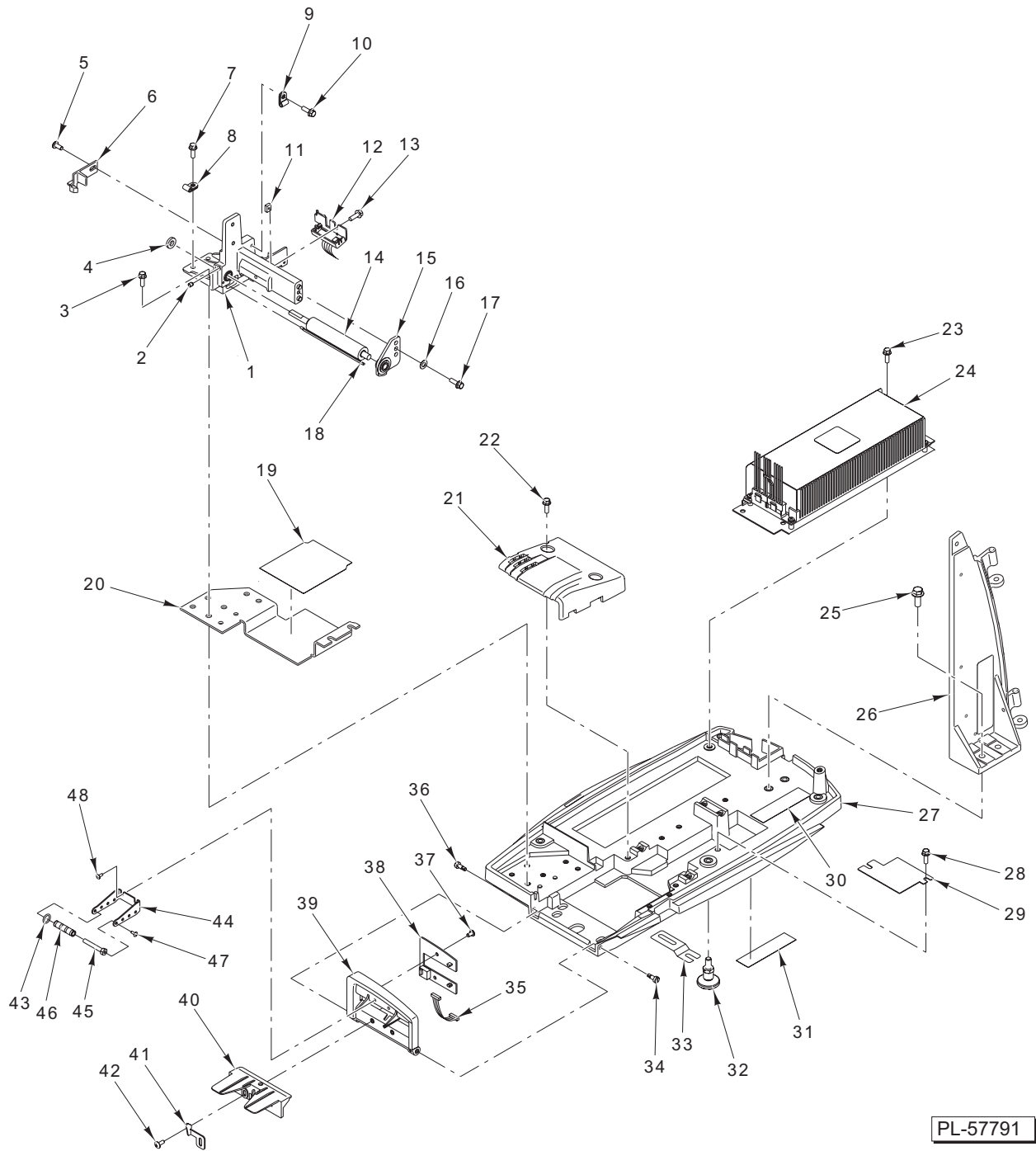
ILLUS. PL-57792	PART NO.	NAME OF PART	AMT.
1	00-442677	Housing – Printer Fixed	1
2	SC-129-33	Mach. Screw 8-32 x 3/8 Phil. Pan Hd.....	2
3	00-443081	Shield – PC Surge Protection	2
4	00-442910	Board Assy. – Surge Protection	1
5	00-442913	Cable Assy. (EPP Power Input to Surge Board)	1
6	00-442914	Cable Assy. (EPP Surge Board to Power Out)	1
7	00-442912	Cable Assy. (EPP Surge Board to Power Supply)	1
8	00-442881-00001	Board Assy. – LSMN	1
9	00-442660	Plate – Cover (Option PCB).....	1
10	SC-129-40	Mach. Screw 4-40 x 1/4 Phil. Pan. Hd.....	4
11	00-438131-061-1	Label – Warning.....	1
12	SC-129-33	Mach. Screw 8-32 x 3/8 Phil. Pan Hd.....	2
13	WL-008-07	Lockwasher #8 Internal.....	2
14	SC-128-55	Mach. Screw 8-32 x 1/4 Hex Hd.....	2
15	00-442654	Bracket – Cable Connection	1
16	SC-128-55	Mach. Screw 8-32 x 1/4 Hex Hd.....	3
17	00-443788	Wire Assy. (Ground Strap).....	1
18	00-442676	Cover – Printer Connector	1
19	00-442675	Pin – Hinge	2
20	RR-006-03	Ring – Retaining 3/16 In.....	2
21	00-442685	Spring – Cable Cover Door.....	1
22	00-443769	Standoff – Cable Routing.....	1
23	00-047052	Label – Fuse	1
24	00-442888	Power Input Module Assy. (Incls. Item 25).....	1
25	00-441406-00002	Fuse (2.5 Amp., SLO).....	1
26	SC-128-55	Mach. Screw 8-32 x 1/4 Hex Hd.....	1
27	00-442655	Spacer – AC Outlet.....	1
28	00-442889	Power Output Module Assy.....	1
29	WL-013-02	Lockwasher #4 Internal.....	2
30	SC-125-30	Mach. Screw 4-40 x 3/8 Phil. Pan. Hd. (SST)	2
31	00-257128	Screwlock – Female	2
32	SC-074-12	Mach. Screw 6-32 x 7/8 Phil. Rd. Hd.....	3
33	WL-008-01	Lockwasher #6 Internal.....	3
34	00-440170	Fan – Brushless (24 V.)	1
35	FE-023-52	Bushing – Electrical Snap 0.312 I.D.....	1
36	00-442590	Clip – Flat Wire Retainer.....	1
37	00-442653	Wall – Divider.....	1
38	FE-026-23	Bushing – Electrical Split 0.265 I.D.....	1
39	SC-128-54	Mach. Screw 8-32 x 1/2 Hex Hd.....	3
40	00-441931	Motor – Take-Up	1
41	00-442649	Spacer – Stepper Motor.....	3
42	00-442680	Pulley – Take-Up Motor	1
43	00-443685-00001	Board Assy. – Printer Control.....	1
44	SC-129-33	Mach. Screw 8-32 x 3/8 Phil. Pan Hd.....	5
45	00-443055	Washer – Shim	1
46	00-442681	Pulley – Take-Up Drive	1
47	00-442683	Belt – Take-Up Motor	1
48	00-442687	Cover – Power Supply	1
49	SC-128-55	Mach. Screw 8-32 x 1/4 Hex Hd.....	2
50	00-442684	Belt – Print Roller & Stepper Motor.....	1
51	00-442682	Pulley – Print Roller & Stepper Motor	2
52	00-442649	Spacer – Stepper Motor.....	3
53	00-440142-00002	Motor – Stepper.....	1
54	SC-128-54	Mach. Screw 8-32 x 1/2 Hex Hd. Special	3



PRINTER (RIGHT SIDE)

PRINTER (RIGHT SIDE)

ILLUS. PL-57790	PART NO.	NAME OF PART	AMT.
1	SC-020-23	Mach. Screw 10-24 x 3/8 Phil. Flat Hd.	8
2	SC-128-55	Mach. Screw 8-32 x 1/4 Hex Hd.	3
3	SC-128-55	Mach. Screw 8-32 x 1/4 Hex Hd.	3
4	00-442602	Wall – Printer Main.....	1
5	SC-128-54	Mach. Screw 8-32 x 1/2 Hex Hd.	AR
6	FE-023-52	Bushing – Electrical Snap 0.312 I.D.	1
7	SC-128-54	Mach. Screw 8-32 x 1/2 Hex Hd.	2
8	00-442638	Guide – Top Label.....	1
9	SC-128-55	Mach. Screw 8-32 x 1/4 Hex Hd.	1
10	00-442641	Catch – Main Door Latch.....	1
11	00-442640	Support – Upper Guide Plate.....	1
12	00-443739	Hub Assy. Support Roll.....	1
13	00-443755	Guide Assy. – Supply Roll.....	1
14	RR-006-22	Ring – Retaining 1/4 In. (SST)	1
15	SC-128-55	Mach. Screw 8-32 x 1/4 Hex Hd.	1
16	00-442663	Bracket – Hold-Open Door Mounting.....	1
17	00-442661	Link – Door Stop (Non-Locking)	1
18	00-442664	Screw – Shoulder (Door Mounting)	2
19	00-043253	Bushing – Nyliner.....	3
20	00-442664	Screw – Shoulder (Door Mounting)	1
21	00-442690	Spring – Door Hold-Open	1
22	00-442662	Link – Door Stop (Bottom)	1
23	SC-127-24	Mach. Screw 4-40 x 3/4 Phil. Truss Hd.	2
24	WL-013-02	Lockwasher #4 Internal.....	2
25	00-441934	Switch Assy. – Head Up Sensor	1
26	00-442643	Hub Assy. – Take-Up.....	1
27	00-103881-00011	Lubricant (#630AA, 2 Oz.)	AR
28	00-442651	Hub – Take-Up.....	1
29	00-442650	Shaft – Take-Up Hub	1
30	00-442652	Washer – Take-Up Drive.....	1
31	SC-128-54	Mach. Screw 8-32 x 1/2 Hex Hd.	1
32	00-442672	Key – Take-Up	1
33	00-442980	Plate Assy. – Label Stock Guide.....	1
34	SC-128-55	Mach. Screw 8-32 x 1/4 Hex Hd.	1
35	00-442642	Hook – Main Door Latch.....	1
36	00-442674	Housing – Printer Door	1

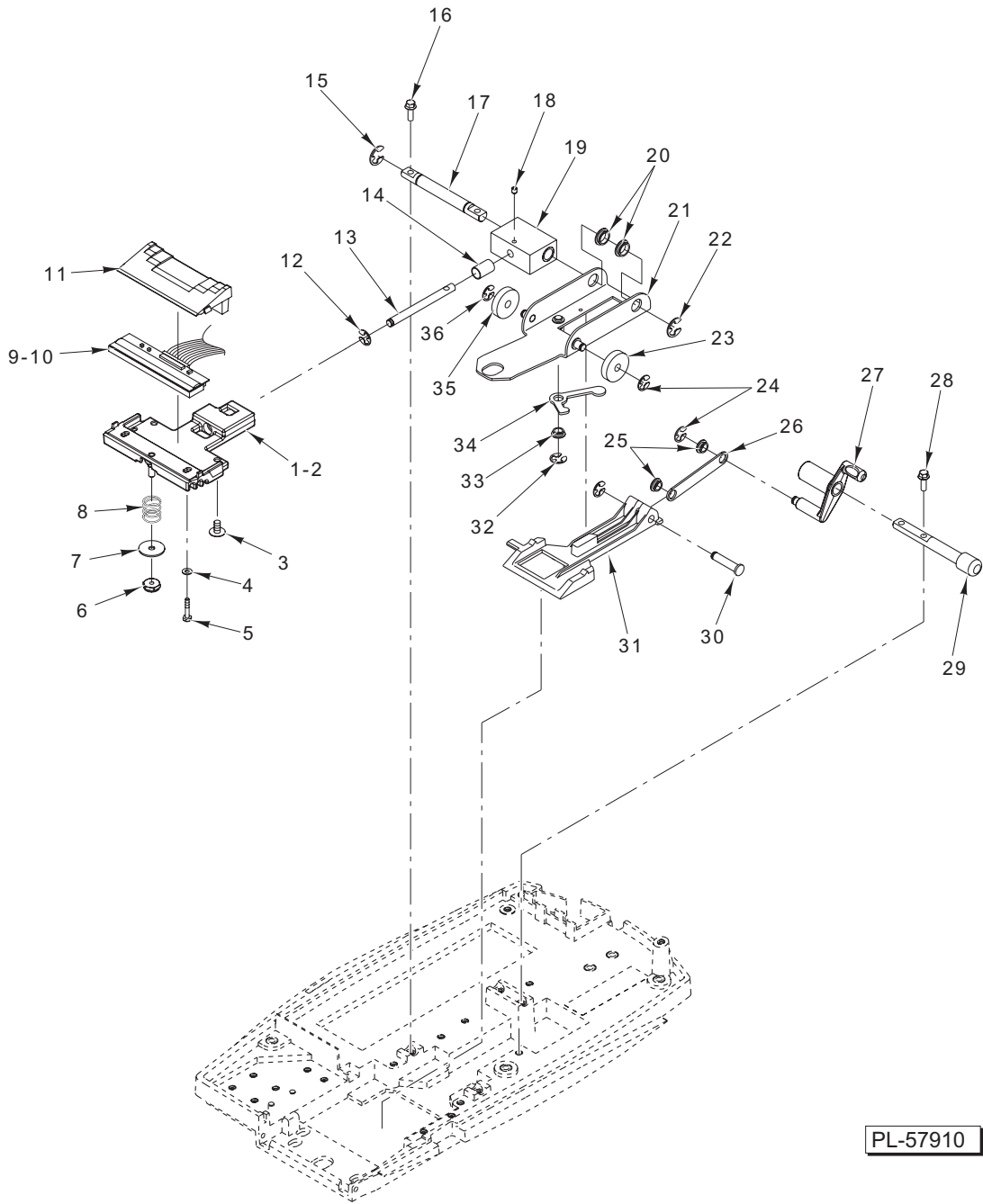


PL-57791

PRINTER (BOTTOM)

PRINTER (BOTTOM)

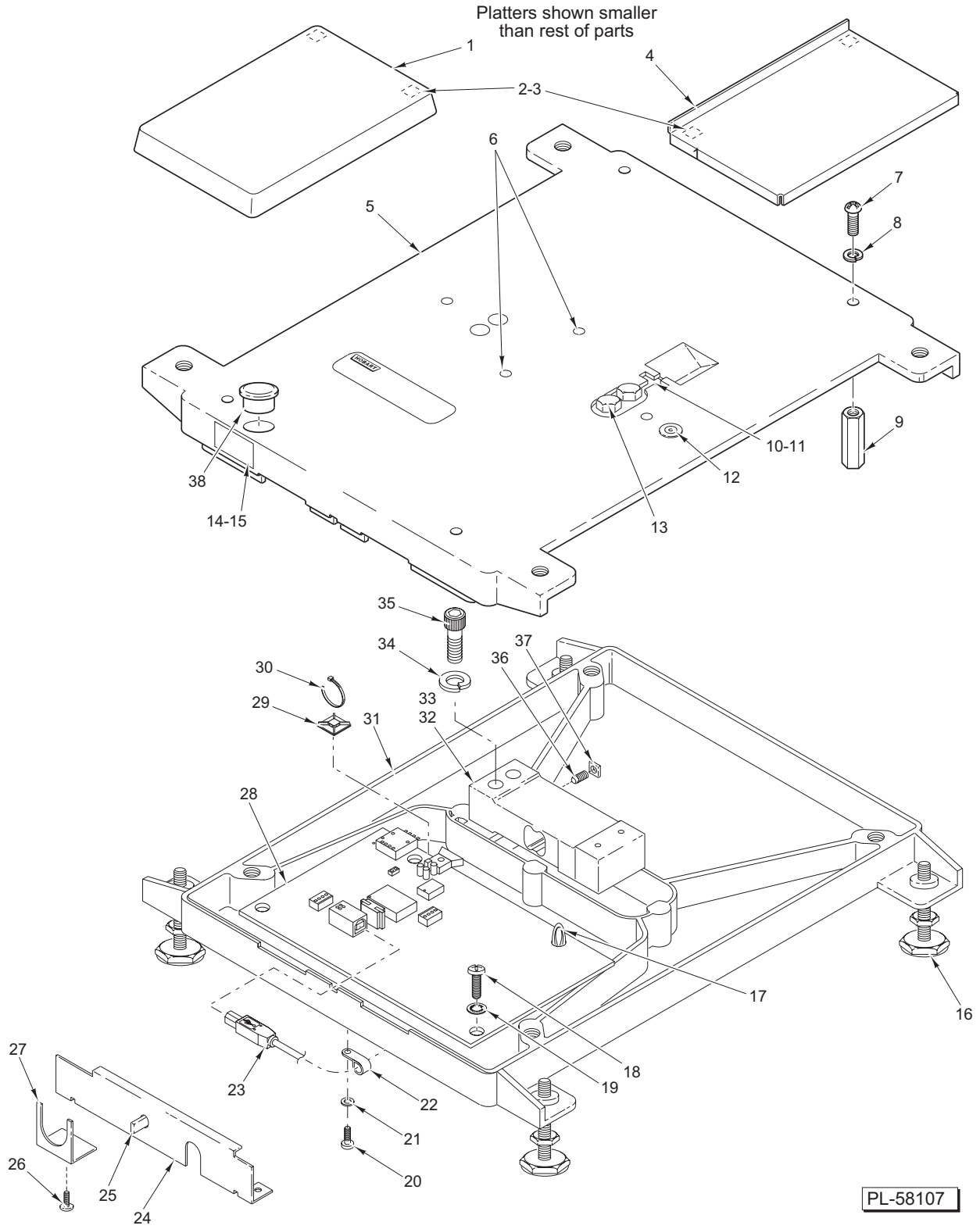
ILLUS. PL-57791	PART NO.	NAME OF PART	AMT.
1	00-442629	Support Assy. – Print Roller	1
2	SC-047-73	Set Screw 8-32 x ³ / ₁₆	1
3	SC-128-54	Mach. Screw 8-32 x ¹ / ₂ Hex Hd.	8
4	00-443610	Spacer – Print Roller Pulley	1
5	SC-129-33	Mach. Screw 8-32 x ³ / ₈ Phil. Pan Hd.	1
6	00-442637	Hook – Label Table Locating	1
7	SC-093-04	Mach. Screw 8-32 x ¹ / ₂ Phil. Pan Hd.	1
8	00-442679	Clamp P Wire	1
9	00-442679	Clamp P Wire	1
10	SC-129-33	Mach. Screw 8-32 x ³ / ₈ Phil. Pan Hd.	1
11	00-442689	Nut – Head-Up Sensor Adjusting	1
12	00-443761	Sensor Assy. – Media (Incls. Cable & Housing)	1
13	SC-129-33	Mach. Screw 8-32 x ³ / ₈ Phil. Pan Hd.	1
14	00-442635	Roller Assy. – Print	1
15	00-442633	Plate Assy. – End	1
16	WS-023-22	Washer (SST)	2
17	SC-128-54	Mach. Screw 8-32 x ¹ / ₂ Hex Hd.	2
18	00-442632	Bar – Peel	1
19	00-442697	Label – Anti-Friction	1
20	00-442603	Plate – Base Stiffner	1
21	00-442671	Guide – Lower Label	1
22	SC-128-54	Mach. Screw 8-32 x ¹ / ₂ Hex Hd.	2
23	SC-128-54	Mach. Screw 8-32 x ¹ / ₂ Hex Hd.	4
24	00-442686	Power Supply Assy. (With Wire Harness)	1
25	SC-123-92	Mach. Screw ¹ / ₄ -20 x ⁵ / ₈ Hex Washer Hd.	2
26	00-442604	Hinge – Printer Door	1
27	00-442601	Base – Printer	1
28	SC-128-54	Mach. Screw 8-32 x ¹ / ₂ Hex Hd.	2
29	00-442666	Bracket – Ramp Hold-Down	1
30	00-128415	Plate – Patent Numbers	1
31	00-184336	Label – FCC Verification	1
32	00-443045	Foot Assy.	4
33	00-442995	Retainer – Foot	4
34	00-442668	Shoulder Screw 6-32 x ¹ / ₄	1
35	00-441932	Cable Assy. Label Taken Sensor	1
36	00-442668	Screw – Shoulder 6-32 x ¹ / ₄	1
37	SD-037-75	Self-Tapping Screw 6-19 x ¹ / ₄ Phil. Pan Hd.	2
38	00-441823	Board – Label Taken Sensor	1
39	00-442667	Door – Label Taken Sensor	1
40	00-442670	Table – Label	1
41	00-442598	Finger – Center Tab	1
42	SC-066-02	Mach. Screw 6-32 x ³ / ₈ Phil. Truss Hd. (SST)	2
43	00-441580-00003	O-Ring	8
44	00-443771	Bracket – Label Hold Down	1
45	00-443774	Shaft – Label Wheel Mounting	4
46	00-443799	Sleeve – Hold Down Wheel	4
47	SC-129-40	Mach. Screw 4-40 x ¹ / ₄ Phil. Pan Hd. (SST)	8
48	SD-037-75	Self-Tapping Screw 6-19 x ¹ / ₄ Phil. Pan Hd.	2
	00-443770	Label Hold Down Assy. (Incls. Items 43 thru 47)	1



PRINTHEAD ASSEMBLY

PRINTHEAD ASSEMBLY

ILLUS. PL-57910	PART NO.	NAME OF PART	AMT.
1	00-442622	Heatsink Assy. – Printhead	1
2	00-519504	Compound – Thermal	AR
3	SD-033-27	Self-Tapping Screw 6-19 x 5/8 Phil. Pan Hd.	2
4	WL-008-01	Lockwasher #6 Internal.....	2
5	SC-128-17	Mach. Screw M3 x 0.5 x 8mm Phil. Pan Hd.	2
6	NS-031-16	Stop Nut 10-24 Hex	1
7	00-442627	Guide – Printhead Pressure Spring	1
8	00-442626	Spring – Printhead Pressure.....	1
9	00-441984-00001	Printhead – Thermal	1
10	00-442870	Cable Assy. – Printhead.....	1
11	00-442628	Cover – Printhead.....	1
12	RR-006-22	Ring – Retaining 1/4 In. (SST)	1
13	00-442620	Shaft – Print Head Center Pivot.....	1
14	00-442621	Spring – Print Head Locating.....	1
15	RR-009-10	Ring – Retaining 3/8 In. (SST)	1
16	SC-128-54	Mach. Screw 8-32 x 1/2 Hex Hd.....	2
17	00-442619	Shaft – Print Head Block Pivot.....	1
18	SC-110-30	Set Screw 8-32 x 1/2 Hex Hdls., Cup Pt.	1
19	00-442616	Block Assy. – Print Head Pivot.....	1
20	00-047967	Bushing – Nyliner.....	2
21	00-442612	Plate Assy. – Print Head Pressure.....	1
22	RR-009-10	Ring – Retaining 3/8 In. (SST)	1
23	00-442615	Roller – Print Head Pressure Plate.....	1
24	RR-006-22	Ring – Retaining 1/4 In. (SST)	3
25	00-043253	Bushing – Nyliner.....	2
26	00-442607	Link – Print Head Lever	1
27	00-442609	Lever Assy. – Print Head	1
28	SC-128-54	Mach. Screw 8-32 x 1/2 Hex Hd.....	2
29	00-442608	Shaft – Ramp Lever Pivot.....	1
30	00-442606	Pin – Ramp Connecting Link	1
31	00-442605	Ramp – Print Head Pressure.....	1
32	RR-006-22	Ring – Retaining 1/4 In. (SST)	1
33	00-043253	Bushing – Nyliner.....	1
34	00-442665	Lever – Print Head Release.....	1
35	00-442615	Roller – Print Head Pressure Plate.....	1
36	RR-006-22	Ring – Retaining 1/4 In. (SST)	1



SCALE ASSEMBLY

SCALE ASSEMBLY (USB)

ILLUS.	PART NO.	NAME OF PART	AMT.
	PL-58107		
1	00-043812	Platter (Incls. Items 2 & 3)	1
2	00-258959	Fastener – Dual Lock.....	4
3	00-258958	Fastener – Dual Lock.....	4
4	00-043813	Platter (Incls. Items 2 & 3)	1
5	00-041559	Support – Platter	1
6	SC-123-20	Set Screw 10-32 x 3/8 Soc. Hd.	2
7	SC-113-08	Mach. Screw 10-32 x 1/2 Phil. Pan Hd.	4
8	WL-004-40	Lockwasher #10 Helical	4
9	00-441780	Stop – Loadcell	4
10	SC-123-20	Set Screw 10-32 x 3/8 Soc. Hd.	1
11	NS-046-58	Mach. Nut 10-32 Square.....	2
12	00-043112	Level – Spirit	1
13	SC-110-12	Cap Screw 1/4-20 x 5/8 Hex Hd.....	2
14	00-443978	Label – Capacity (25 kg) (ML-29275)	1
15	00-443977	Label – Capacity (15 kg) (ML-29276)	1
16	00-093160	Screw Foot Leveling Assy.	4
17	00-042808	Support – Circuit Board	2
18	SC-112-42	Mach. Screw 6-32 x 1/2 Phil. Pan Hd.....	2
19	WL-008-01	Lockwasher #6 Internal Shakeproof	2
20	SD-015-40	Self-Tapping Screw 8-32 x 3/8 Phil. Pan Hd., Type TT	1
21	WS-019-09	Washer.....	1
22	00-253363	Clip – Cable	1
23	00-441937-00002	Cable – USB (2.0 A-B).....	1
24	00-443812	Cover – Circuit Board	1
25	00-042600	Actuator – Service Switch	1
26	00-183906	Screw (Special Fil. Hd.)	2
27	00-042601	Plate – Sealing.....	1
28	00-443732	Board Assy. (USB Weigher).....	1
29	00-255503	Mount – Cable Tie.....	1
30	00-251199	Tie – Cable.....	1
31	00-042604	Base Assy.	1
32	00-044899	Loadcell Assy. (30 kg) (ML-29275)	1
33	00-442777	Loadcell Assy. (20 kg) (ML-29276)	1
34	WL-003-39	Lockwasher 1/4 Light	2
35	SC-120-70	Cap Screw 1/4-20 x 1 5/8 Soc. Hex Hd.	2
36	SC-123-20	Set Screw 10-32 x 3/8 Soc. Hd.	1
37	NS-046-58	Mach. Nut 10-32 Square.....	1
38	00-041562	Plug – Transparent (1/2).....	1

ACCESSORIES

PART NO.	NAME OF PART	AMT.
00-441419-00001	Cord – Printer to Console (8 Ft.).....	AR
00-441419-00002	Cord – Printer to Console (15 Ft.).....	AR
00-441419-00003	Cord – Printer to Console (3 Ft.).....	AR
00-441419-00004	Cord – Printer to Console (25 Ft.).....	AR
00-257200	Cord – Printer Supply (9 Ft.).....	AR
00-441937-00001	Cable – USB (2.0 A-B) (6 Ft.).....	AR
00-441937-00002	Cable – USB (2.0 A-B) (10 Ft.).....	AR
00-441937-00003	Cable – USB (2.0 A-B) (15 Ft.).....	AR
00-441937-00004	Cable – USB (2.0 A-B) (3 Ft.).....	AR
00-444444-00001	Cable – Ethernet (CAT5E) (14 Ft.).....	AR
00-444444-00002	Cable – Ethernet (CAT5E) (25 Ft.).....	AR
00-443711	Cable – USB Active (ILA with EPP).....	AR
00-444432	Coupler – Ethernet (RJ45-F).....	AR
00-042063-00034	EPROM – Weigher (Ultima & UWS with EPP).....	AR
00-443444	USB Drive.....	AR
00-512987	Loctite #222.....	AR
00-443494	Wand Tip (CLA & UWS with EPP).....	AR
00-443086	Wand Tip (ILA with EPP).....	AR
00-443583	Sleeve – Bearing (Wand Tip Retainer).....	AR