



CATALOG OF REPLACEMENT PARTS



VEGETABLE SLICER ATTACHMENT

ML-16231
ML-16225

9 IN. SLICER
9 IN. SHEDDER

Table of Contents

5	COVER PAGE F43131
7	SHREDDER AND GRATER PLATE UNIT
9	FRONT AND BACK CASE UNIT
11	ADJUSTABLE SLICER PLATE UNIT



CATALOG OF REPLACEMENT PARTS



VEGETABLE SLICER ATTACHMENT

ML-16231
ML-16225

9 IN. SLICER
9 IN. SHEDDER

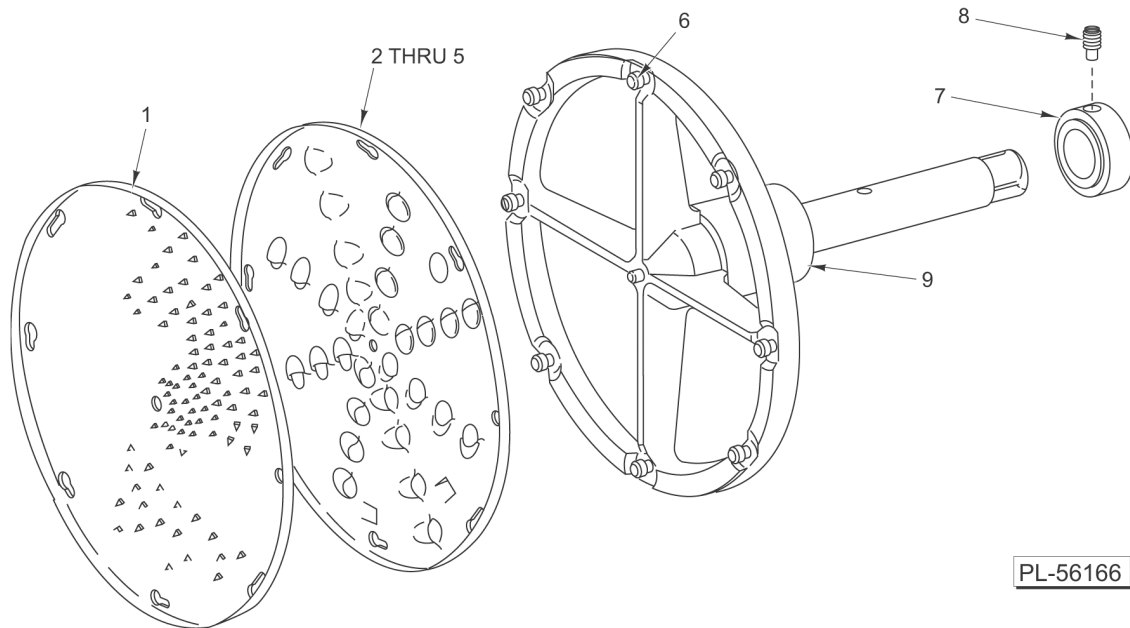
A product of HOBART 701 S. RIDGE AVENUE TROY, OHIO 45374-0001

FORM 43131

COVER PAGE F43131

COVER PAGE F43131

ILLUS.	PART NO.	NAME OF PART	AMT.
	ml-13231	New Part.....	AR

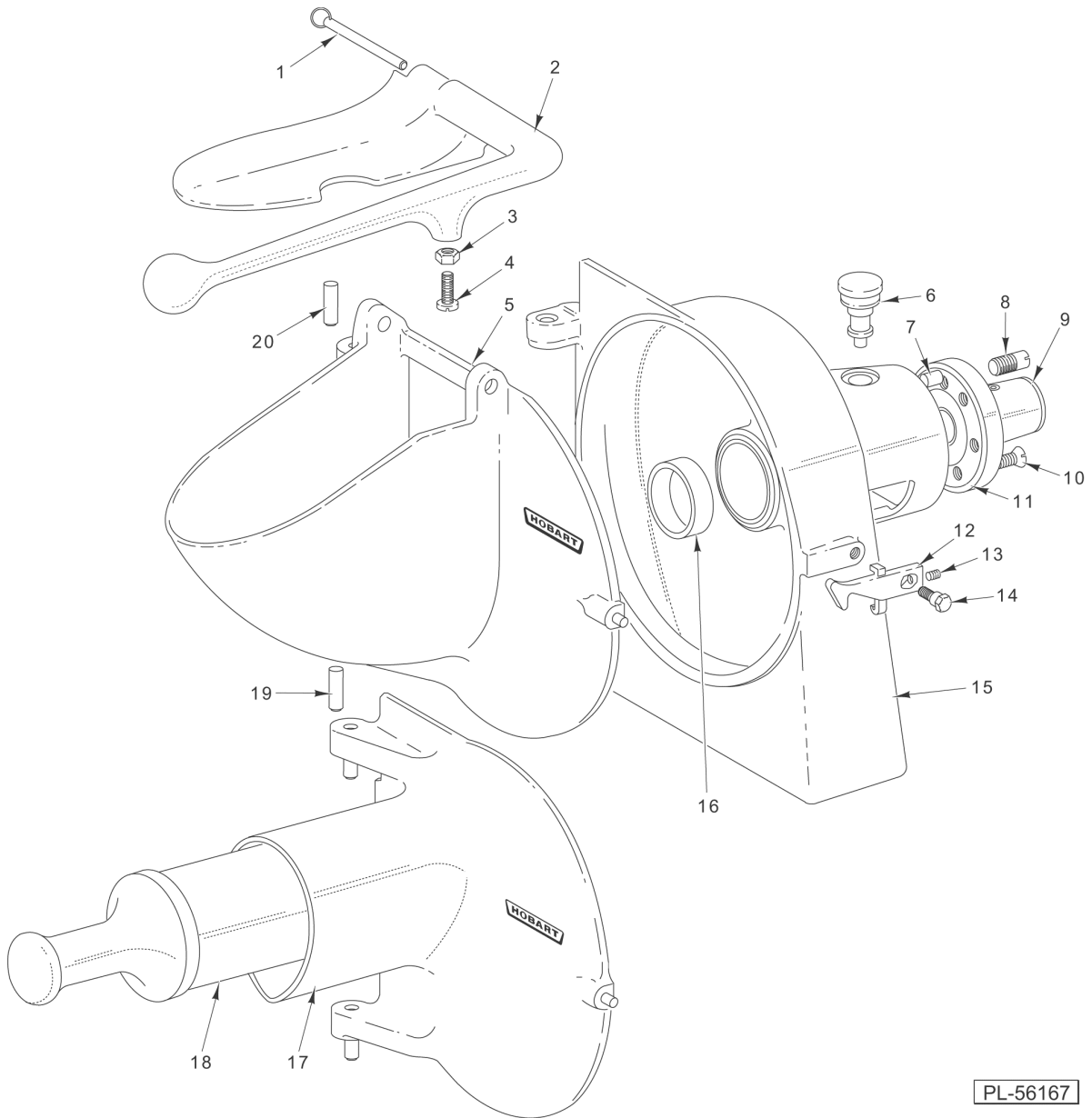


PL-56166

SHREDDER AND GRATER PLATE UNIT

SHREDDER AND GRATER PLATE UNIT

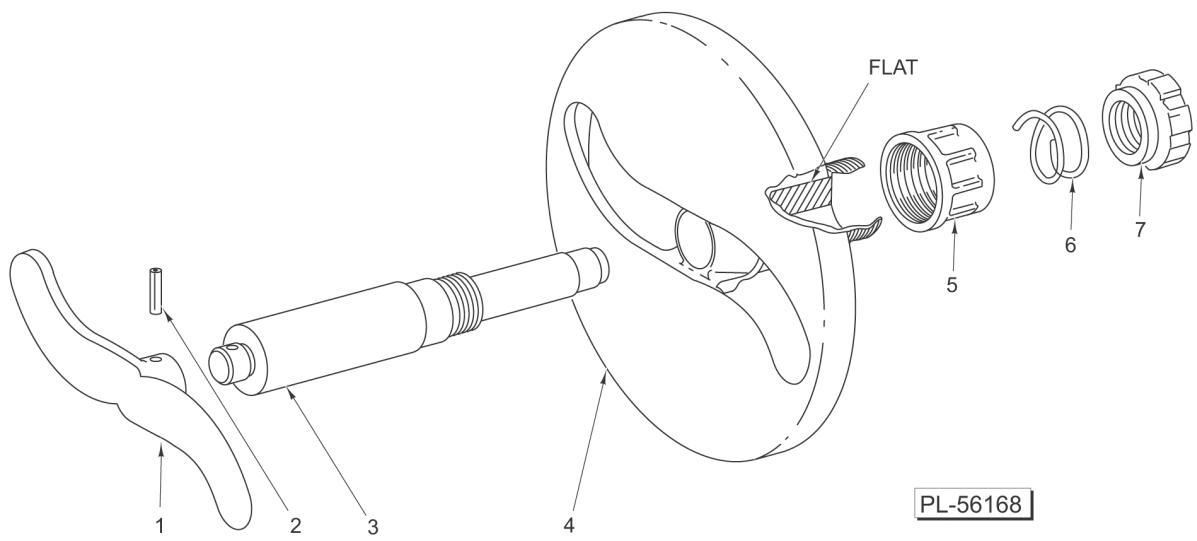
ILLUS.	PART NO.	NAME OF PART	AMT.
PL-56166			
1	00-077049	Plate - Grater.....	1
2	00-077047	Plate - Shredder (3/32 In. Dia. Holes).....	1
3	00-077046	Plate - Shredder (5/16 In. Dia. Holes).....	1
4	00-077045	Plate - Shredder (3/16 In. Dia. Holes).....	1
5	00-077048	Plate - Shredder (1/2 In. Dia. Holes).....	1
6	00-477866	Stud - Threaded.....	8
7	00-076782	Bearing - Thrust (3/4 In. I.D.) (Assemble Boss Away From Sq. Dr.).....	1
8	00-076799-00002	Screw - Dog Point.....	1
9	ML-16225-0000Z	Hub - Shaft & Collar Sub-Assy. (Includes Items 6, 7 & 8).....	1



FRONT AND BACK CASE UNIT

FRONT AND BACK CASE UNIT

ILLUS.	PART NO.	NAME OF PART	AMT.
PL-56167			
1	00-875414	Pin - Feed Plate.....	1
2	00-875413-00002	Feed Plate.....	1
3	NS-017-02	Jam Nut 1/4-20 Hex.....	1
4	SC-012-29	Mach. Screw 1/4-20 x 3/4 Slotted Fil. Hd.....	1
5	00-069315-00001	Slicer Front Sub-Assy. (Std. Hopper).....	1
6	00-008915	Plunger.....	1
7	00-083483	Pin - Plunger Retaining.....	1
8	PG-006-21	Pin - Grooved 5/16 x 7/8 (Type 4).....	1
9	00-010072	Hub - Attachment.....	1
10	SC-014-56	Mach. Screw 1/4-20 x 7/8 Slotted Flat Hd.....	6
11	00-010430-00001	Shim - Paper.....	AR
12	00-086313	Latch & Set Screw Sub-Assy. (Incls. Item 13).....	1
13	00-103660	Screw - Latch Adjustment.....	1
14	00-008917	Screw - Latch Fulcrum.....	1
15	00-083486-00001	Back Case & Bushing Sub-Assy.....	1
16	00-103909-00001	Bearing - Back Case.....	1
17	00-315123	Tubular Hopper Front & Stomper.....	1
18	00-081922	Feed Stomper (Alum.) (For Item 17).....	1
19	00-074868-00002	Pin - Lower Groove Hinge.....	1
20	00-074868-00001	Pin - Upper Hinge.....	1
	00-315121	Feed Plate & Hopper Front Sub-Assy.....	1
	00-295135	Back Case Sub-Assy. Unit (Incls. Items 6 thru 10, 12, 14, & 15).....	1
	00-439248	Chute Assy.....	1



ADJUSTABLE SLICER PLATE UNIT

ADJUSTABLE SLICER PLATE UNIT

ILLUS.	PART NO.	NAME OF PART	AMT.
PL-56168			
1	00-079725	Knife.....	1
2	RP-004-31	Pin - Roll 1/4 In. Dia. x 1 In. Lg. (SST).....	1
3	00-290103	Shaft - Knife & Pin Assy.....	1
4	00-291055	Plate - Adjustable Slicer (Flat 1 3/4 In. Lg.).....	1
5	00-103819	Nut - Adjusting.....	1
6	00-079727	Spring - Adjusting Nut.....	1
7	00-069308	Bearing - Thrust.....	1
	00-295613	Knife & Shaft Assy. (Incls. Items 1, 2, & 3).....	1
	00-315093	Hub - Shaft & Adjusting Plate Assy. (Incls. Items 1 thru 7).....	1

