



# CATALOG OF REPLACEMENT PARTS

## HSU440 SPIRAL MIXER

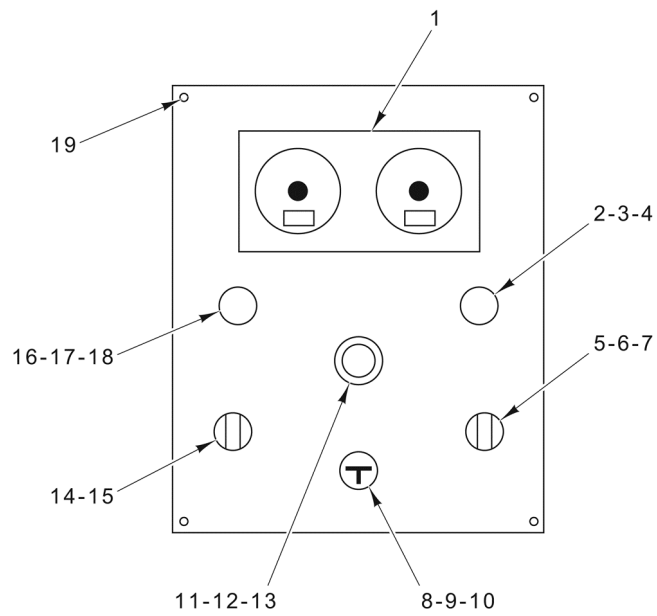
ML-141041





**Table of Contents**

5	CONTROLS
7	ELECTRICAL COMPONENTS
9	BOWL THRUST BLOCK ROLLER
11	MIXER MOTOR AND COMPONENTS
13	BOWL MOTOR AND COMPONENTS
15	PANELS AND COVERS
17	BOWL GUARD

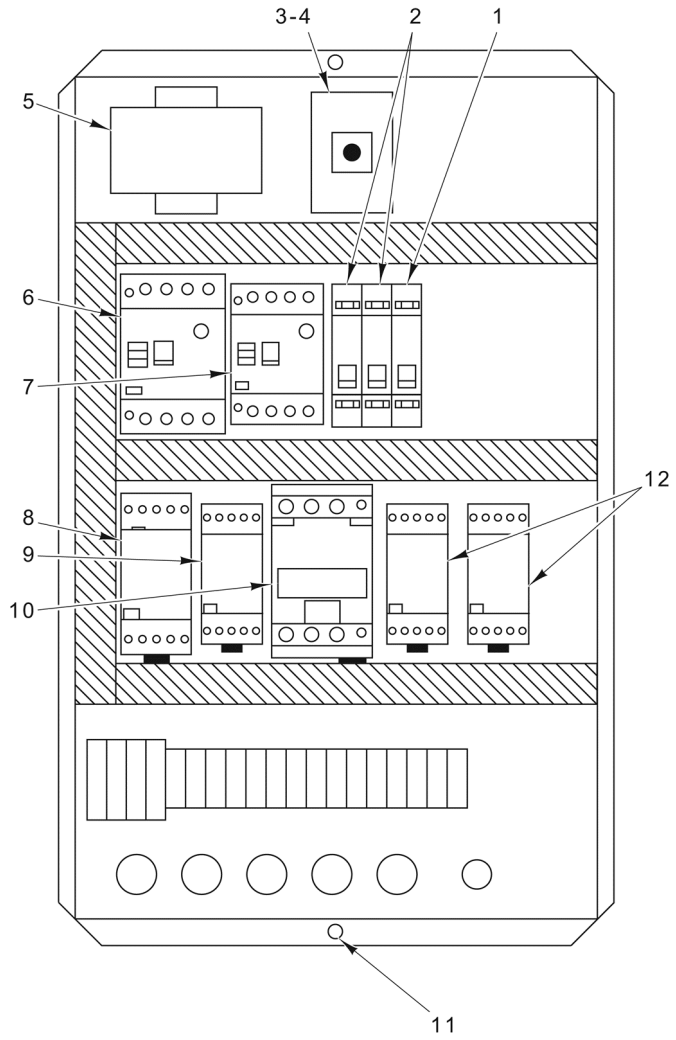


PL-60048

## CONTROLS

**CONTROLS**

ILLUS.	PART NO.	NAME OF PART	AMT.
PL-60048			
1	00-917671-00015	Timer.....	1
2	00-917671-00108	Switch (Start 2).....	1
3	00-917671-00104	Contact.....	1
4	00-917671-00109	Lamp - LED.....	1
5	00-917671-00102	Switch - Head Selector (2-Position).....	1
6	00-917671-00104	Contact.....	1
7	00-917671-00105	Contact.....	3
8	00-917671-00189	Button - Impulse.....	1
9	00-917671-00104	Contact.....	1
10	00-917671-00111	Button - Plate With Inscription.....	1
11	00-917671-00106	Contact - Stop Button.....	1
12	00-917671-00103	Contact.....	1
13	00-917671-00107	Contact.....	1
14	00-917671-00102	Switch - Head Selector (2-Position).....	1
15	00-917671-00103	Contact.....	1
16	00-917671-00108	Switch (Start 1).....	1
17	00-917671-00104	Contact.....	1
18	00-917671-00109	Lamp - LED.....	1
19		Screw M3.9 x 16 Hex Button Hd.....	4

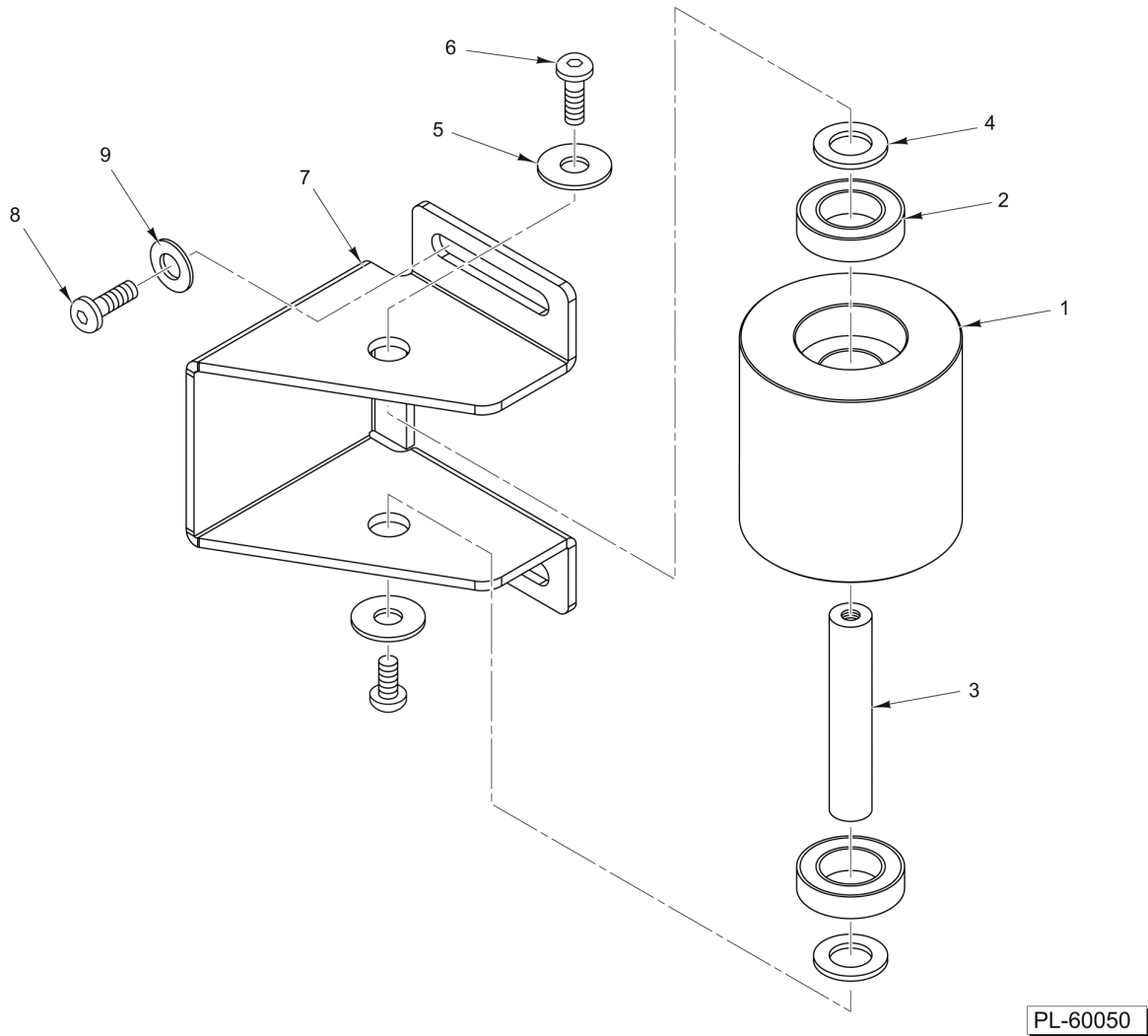


PL-60049

**ELECTRICAL COMPONENTS**

**ELECTRICAL COMPONENTS**

ILLUS.	PART NO.	NAME OF PART	AMT.
PL-60049			
1	00-917671-00093	Breaker - Circuit Therm. Magn.....	1
2	00-917671-00092	Breaker - Circuit Therm. Magn.....	2
3	00-917671-00183	Switch - Main.....	1
4	00-917671-00091	Shaft - Extensions.....	1
5	00-917671-00184	Transformer (250 VA, 208-230 V., 24A).....	1
6	00-917671-00185	Breaker - Circuit.....	1
7	00-917671-00101	Breaker - Circuit Motor.....	1
8	00-917671-00186	Contactactor.....	1
9	00-917671-00094	Contactactor.....	1
10	00-917671-00187	Contactactor.....	1
11		Screw M6 x 12 Hex Button Hd.....	2
12	00-917671-00188	Contactactor.....	2



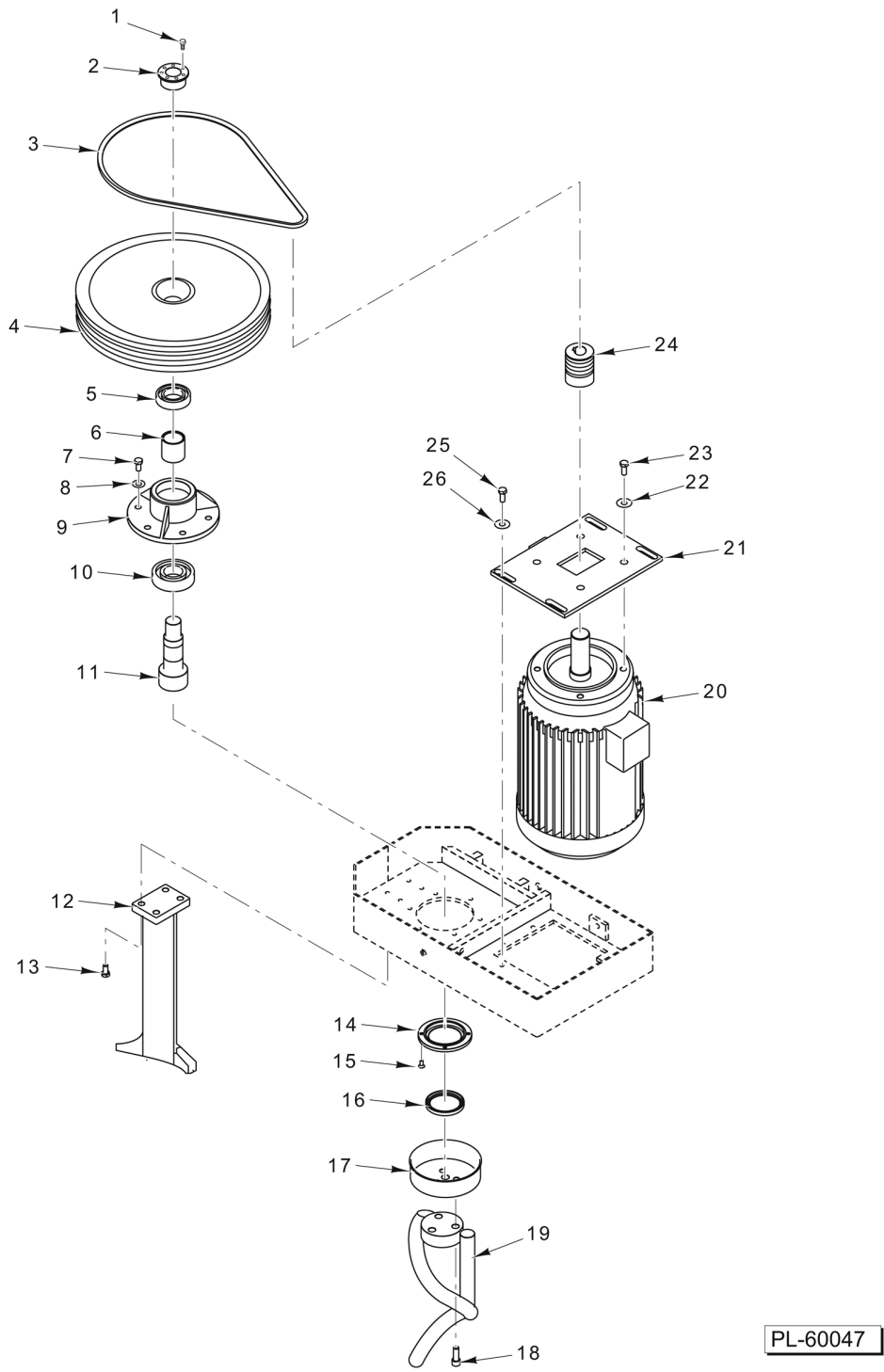
PL-60050

**BOWL THRUST BLOCK ROLLER**



**BOWL THRUST BLOCK ROLLER**

ILLUS.	PART NO.	NAME OF PART	AMT.
PL-60050			
1	00-917671-00177	Roller.....	1
2	00-917671-00176	Bearing.....	2
3	00-917671-00191	Pin.....	1
4		Washer.....	2
5		Washer.....	2
6		Screw M6 x 12 Hex Button Hd.....	2
7	00-917671-00190	Support.....	1
8		Screw M8 x 16 Hex Button Hd.....	2
9		Washer.....	2

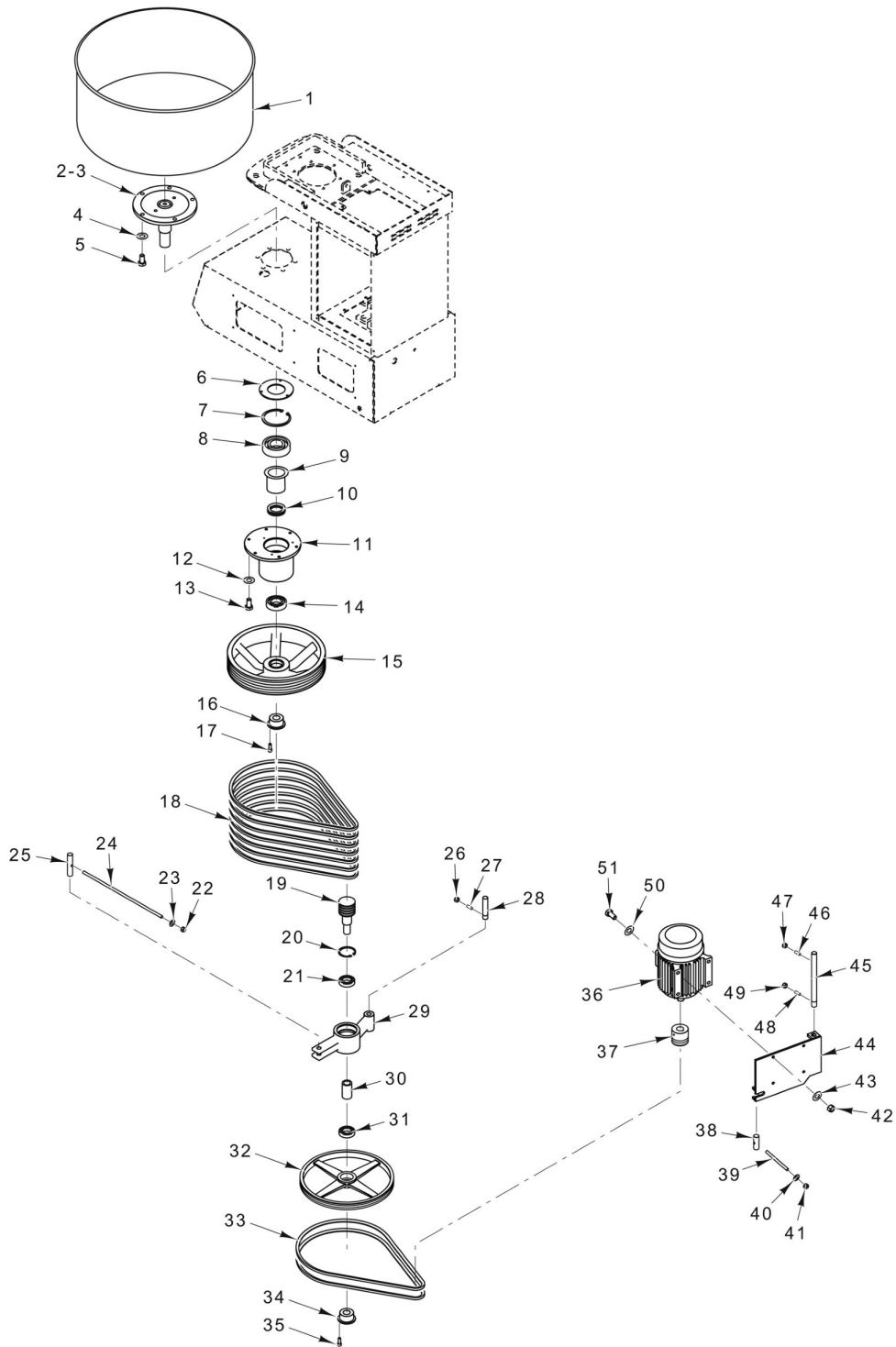


PL-60047

**MIXER MOTOR AND COMPONENTS**

**MIXER MOTOR AND COMPONENTS**

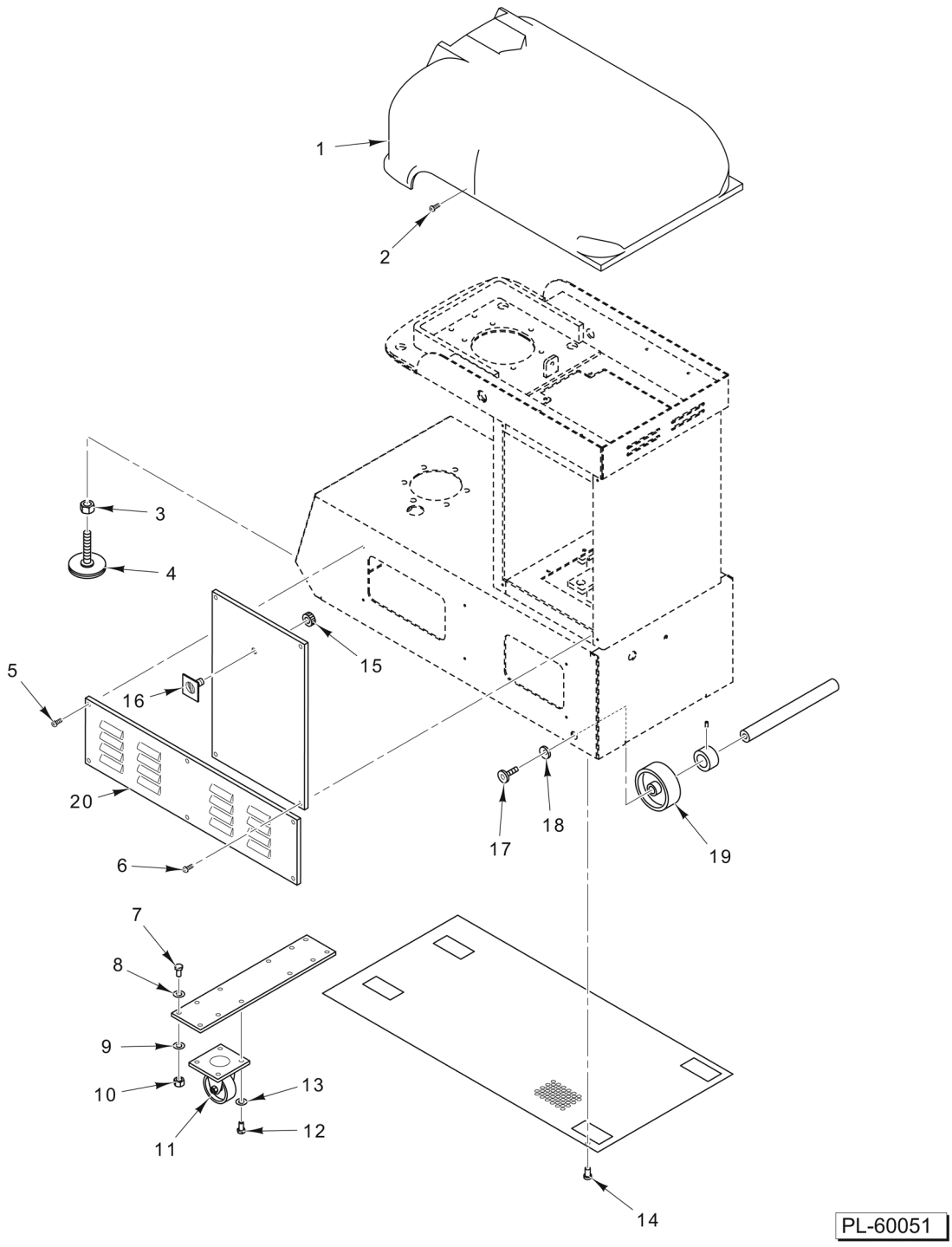
ILLUS. PL-60047	PART NO.	NAME OF PART	AMT.
1		Screw M8 x 30 Hex Socket Hd.....	7
2	00-917671-00135	Lock - Taper.....	1
3	00-917671-00037	Belt - XPZ 1800.....	8
4	00-917671-00171	Pulley - Spiral.....	1
5	00-917671-00019	Bearing - 3212.....	1
6	00-917671-00136	Spacer - Shaft.....	1
7		Screw M12 x 30 Hex Hd.....	6
8		Washer.....	6
9	00-917671-00133	Support - Spiral.....	1
10	00-917671-00033	Bearing - 6212.....	1
11	00-917671-00169	Shaft - Spiral.....	1
12	00-917671-00138	Column.....	1
13		Screw M12 x 40 Hex Hd.....	4
14	00-917671-00154	Support - Top Cover Spiral.....	1
15		Screw.....	4
16	00-917671-00204	Ring - Retaining.....	1
17	00-971671-00155	Sump - Spiral.....	1
18		Screw M16 x 60 Hex Hd.....	3
19	00-917671-00153	Tool - Spiral Mixing.....	1
20	00-917671-00041	Motor.....	1
21	00-917671-00168	Plate - Motor Support.....	1
22		Washer.....	4
23		Screw M10 x 30 Hex Hd.....	4
24	00-917671-00172	Pulley.....	1
25		Screw M12 x 35 Hex Hd.....	4
26		Washer.....	4



**BOWL MOTOR AND COMPONENTS**

**BOWL MOTOR AND COMPONENTS**

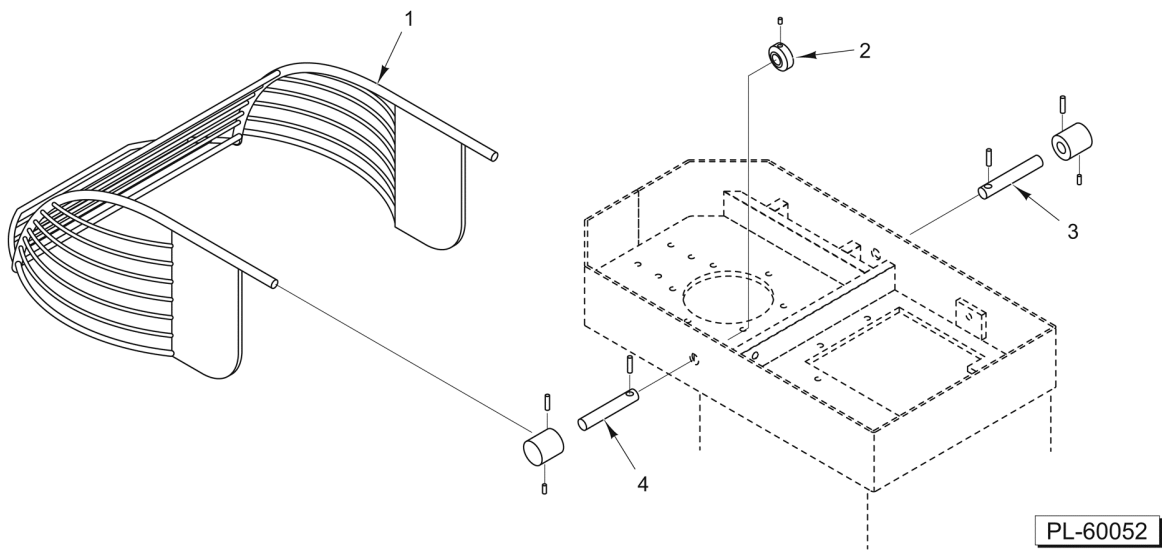
ILLUS.	PART NO.	NAME OF PART	AMT.
PL-60046			
1	00-917671-00164	Bowl (HSU440).....	1
2	00-917671-00159	Shaft - Bowl.....	1
3	00-917671-00054	Pin - Centering Bowl.....	1
4		Washer.....	5
5		Screw M12 x 35 Hex Hd.....	5
6	00-917671-00161	Cover.....	1
7	00-917671-00199	Ring - Retaining.....	1
8	00-917671-00030	Bearing - 3214.....	1
9	00-917671-00160	Spacer - Bowl Support.....	1
10	00-917671-00031	Bearing - 51216.....	1
11	00-917671-00158	Support - Bowl.....	1
12		Washer.....	6
13		Screw M12 x 30 Hex Hd.....	6
14	00-917671-00032	Bearing - 6214 2RS.....	1
15	00-917671-00163	Pulley - Rotating Bowl.....	1
16	00-917671-00200	Lock - Taper.....	1
17		Screw M8 x 30 Hex Socket Hd.....	6
18	00-917671-00037	Belt - XPZ 1800.....	7
19	00-917671-00170	Shaft - Counter.....	1
20	00-917671-00173	Seeger Ring.....	1
21	00-917671-00034	Bearing - 6309 2RS.....	1
22		Acorn Nut.....	1
23		Washer.....	1
24		Rod - Tie.....	1
25	00-917671-00050	Pin - Transmission Support.....	1
26		Nut.....	1
27		Set Screw M8 x 25.....	1
28	00-917671-00084	Pin - Transmission Support.....	1
29	00-917671-00165	Support - Bowl Double Pulley.....	1
30	00-917671-00166	Spacer - Countershaft.....	1
31	00-917671-00034	Bearing - 6309 2RS.....	1
32	00-917671-00167	Pulley - Transmission.....	1
33	00-917671-00038	Belt - XPZ 1900.....	2
34	00-917671-00074	Lock - Taper.....	1
35		Screw M6 x 25 Hex Socket Hd.....	8
36	00-917671-00175	Motor.....	1
37	00-917671-00162	Pulley.....	1
38	00-917671-00050	Pin - Transmission Support.....	2
39	00-917671-00202	Rod - Tie.....	1
40		Washer.....	1
41		Acorn Nut.....	1
42		Nut.....	4
43		Washer.....	4
44	00-917671-00157	Support - Motor Bowl.....	1
45	00-917671-00156	Pin - Motor Plate.....	1
46		Set Screw.....	2
47		Nut.....	2
48		Set Screw M8 x 30.....	1
49		Nut.....	1
50		Washer.....	4
51		Screw Hex Hd.....	4



**PANELS AND COVERS**

**PANELS AND COVERS**

ILLUS.	PART NO.	NAME OF PART	AMT.
PL-60051			
1	00-917671-00152	Cover - Top.....	1
2		Screw M5 x 20 Hex Button Hd.....	2
3		Nut.....	2
4	00-917671-00118	Foot (Adjusting).....	2
5		Screw M6 x 25 Hex Button Hd.....	6
6		Screw M6 x 25 Hex Button Hd.....	4
7		Screw M8 x 35 Hex Hd.....	4
8		Washer.....	4
9		Washer.....	4
10		Nut.....	4
11	00-917671-00119	Caster - Front.....	2
12		Screw M8 x 17 Hex Hd.....	8
13		Washer.....	8
14		Screw M5 x 12 Hex Button Hd.....	18
15		Lock Nut.....	1
16	00-917671-00090	Actuator - Main Power.....	1
17		Screw Flat Socket Hd.....	2
18		Washer.....	2
19	00-917671-00120	Wheel.....	2
20		Panel.....	1



**BOWL GUARD**



**BOWL GUARD**

ILLUS. PL-60052	PART NO.	NAME OF PART	AMT.
1	00-917671-00193	Guard - Bowl.....1	1
2	00-917671-00124	Cam Control.....1	1
3	00-917671-00192	Shaft - Rotating Protection.....1	1
4	00-917671-00195	Shaft - Rotating Protection.....1	1

