



# CATALOG OF REPLACEMENT PARTS

---

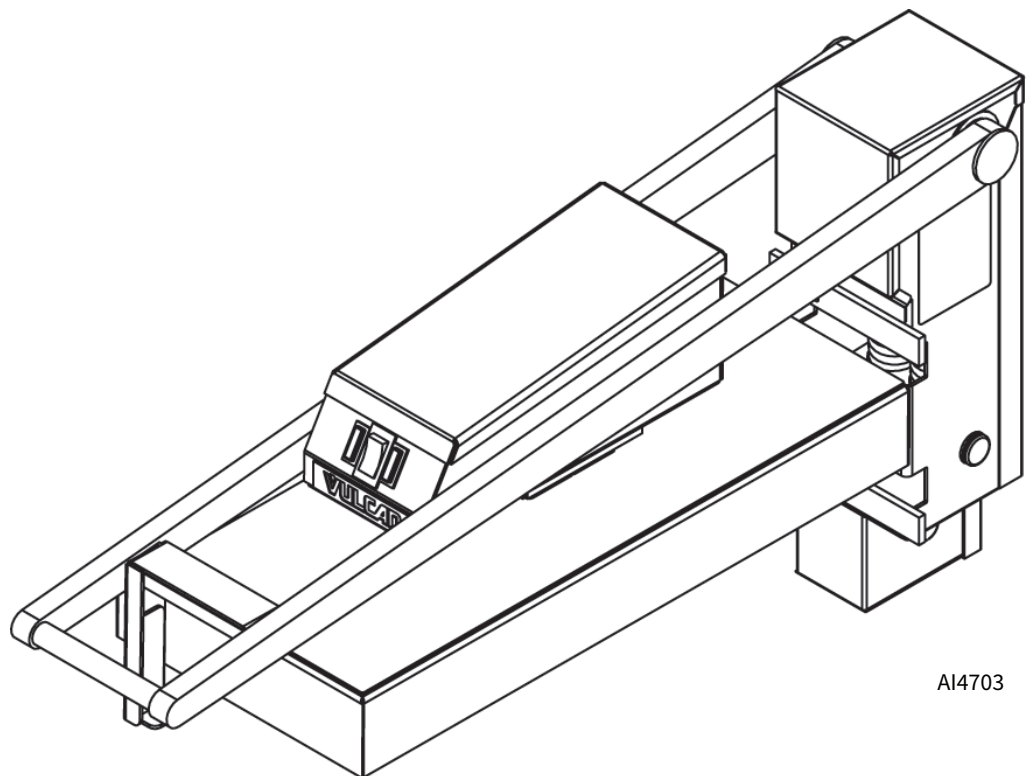
## VMCS CLAMSHELL

VMCS-101

VMCS-102

VMCS-201

VMCS-202



AI4703

TECHNICAL SERVICE AND PARTS ASSISTANCE 1-800-814-2028

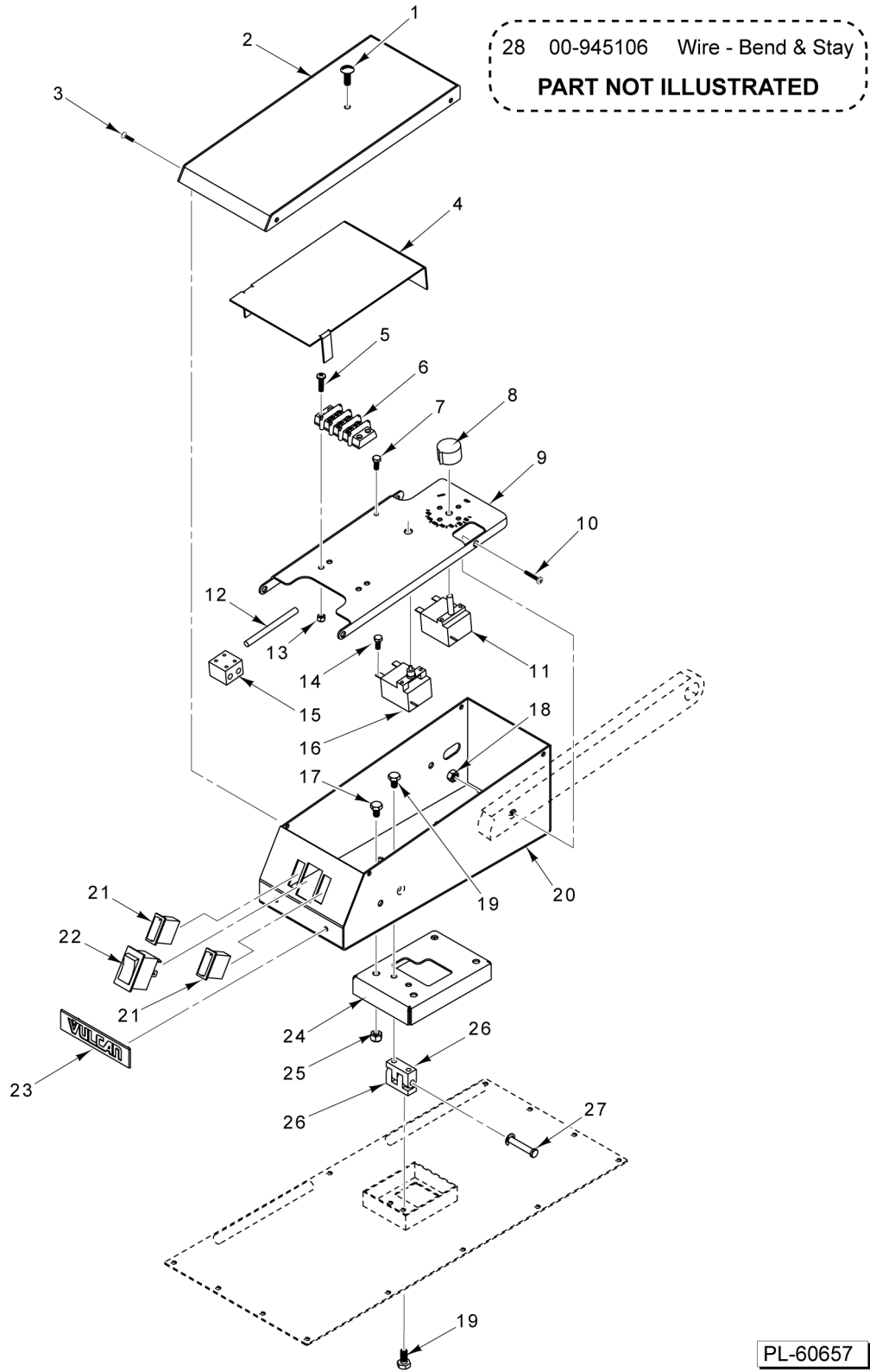
*Vulcan is a division of ITW Food Equipment Group | 3600 North Point Blvd., Baltimore, MD 21222*

F-43313 Rev. D (02-23)



**Table of Contents**

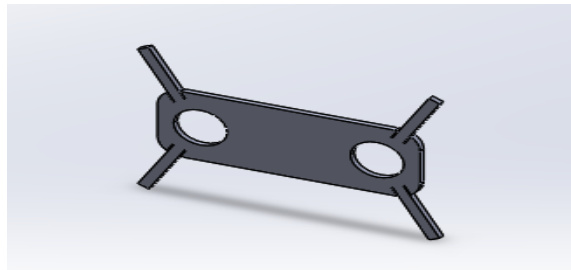
5 CONTROL HOUSING  
7 PLATE ASSEMBLY  
9 ARM MECHANISM



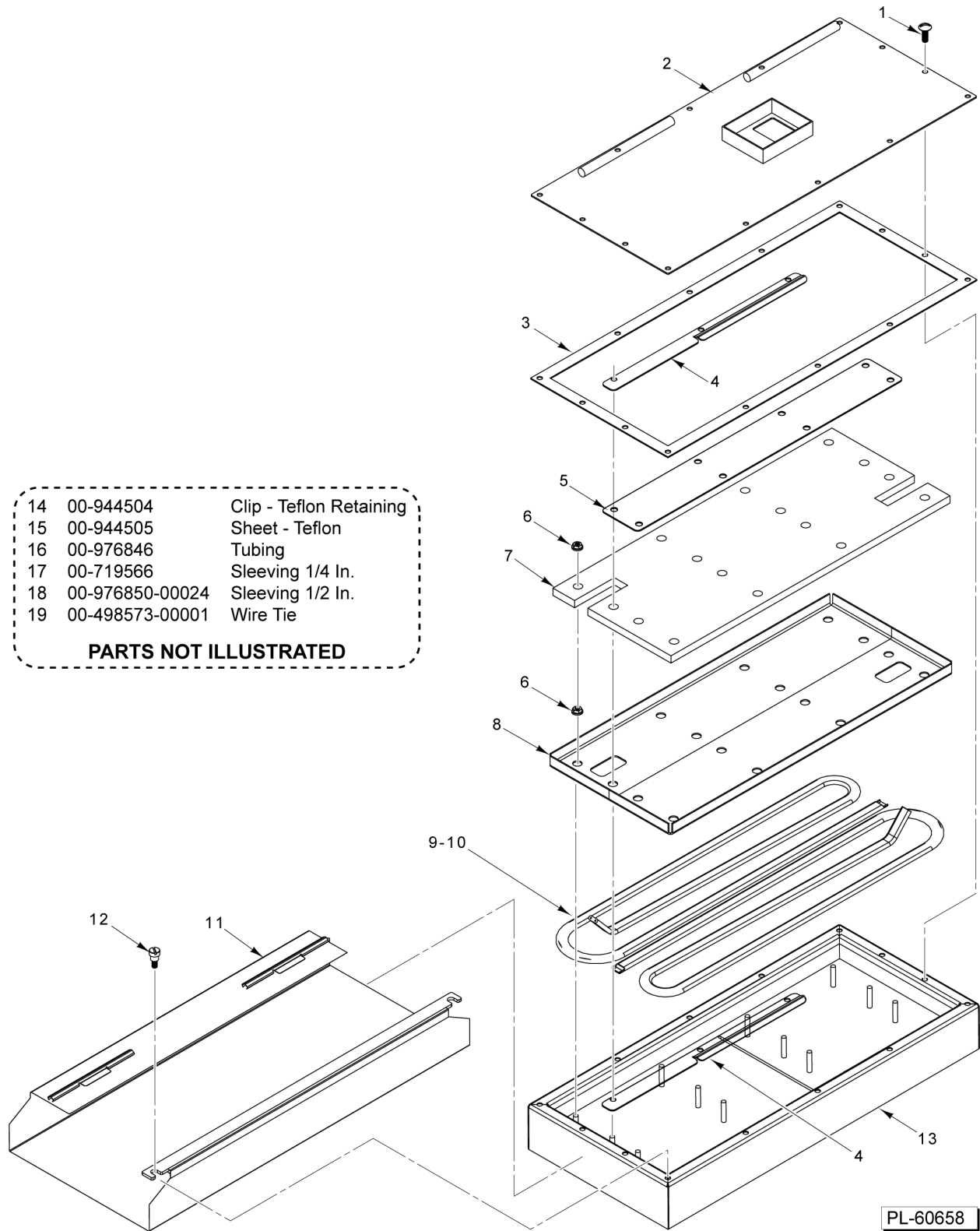
**CONTROL HOUSING**

**CONTROL HOUSING**

ILLUS.	PART NO.	NAME OF PART	AMT.
PL-60657			
1	00-945002	Screw 1/4-20 Truss Hd. (5/8" Lg).....	15
2	00-945031	Top Controls Box Weldment.....	1
3	00-945009	Screw 8-32 x 3/8 Pan Hd.....	6
4	00-945060	Wiring Cover Plate.....	1
5	00-927435	Screw 10-24 x 3/4 Lg.....	4
6	00-945076	Terminal Block.....	1
7	00-945002	Screw 1/4-20 Truss Hd.....	1
8	00-411241-00001	Knob - Temperature Control.....	1
9	00-945032	Controls Box Mount Shelf.....	1
10	00-945000	Screw 1/4-20 x 1-1/4 Countersink.....	4
11	00-944136	Temperature Control.....	1
12	00-945066	Wiring Kit.....	1
13	00-730534	Nut 10-24 Hex KEPS.....	4
14	00-922616	Self-Tapping Screw 10-16 x 1/2.....	1
15	00-945077	Ceramic Junction Box.....	1
16	00-944133	High Limit Switch.....	1
17	00-945105	Screw - Cap 1/4-20 x 3/8.....	2
18	NS-047-72	Lock Nut 1/4-20.....	4
19	00-945005	Screw 1/4-20 x 7/16 Hex Hd.....	8
20	00-945030-0000A	Lower Controls Box Weldment.....	1
21	00-944131	Light - Indicator.....	2
22	00-944441	Switch - On / Off.....	1
23	00-957916-00003	Nameplate - Small (Vulcan).....	1
24	00-945029	Platen Mount Plate.....	1
25	NS-047-72	Lock Nut 1/4-20.....	8
26	00-945045	Hinge Parts.....	2
27	00-945013	Pin - Clevis 1/4 x 1-1/2.....	1
28	00-945106	Wire - Bend & Stay.....	1
29	00-976881-0000A		



00 976881-0000A  
 Kit is for SB1050 please see. Safety wire repair Kit includes qty 3 00-976881  
 qty 4 1/4"-20 3/8" bolts  
 These replace #19 above.



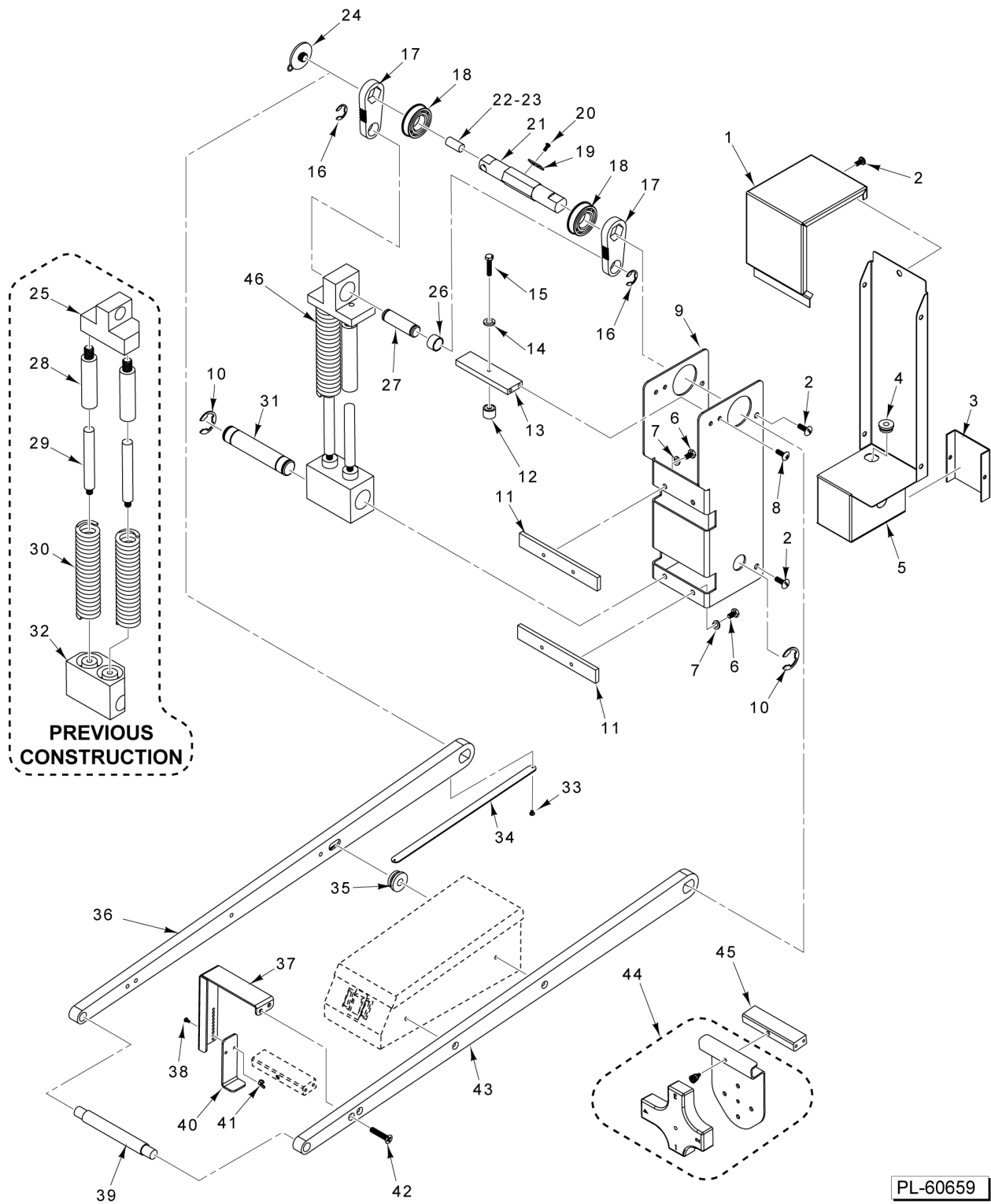
- |    |                 |                         |
|----|-----------------|-------------------------|
| 14 | 00-944504       | Clip - Teflon Retaining |
| 15 | 00-944505       | Sheet - Teflon          |
| 16 | 00-976846       | Tubing                  |
| 17 | 00-719566       | Sleeving 1/4 In.        |
| 18 | 00-976850-00024 | Sleeving 1/2 In.        |
| 19 | 00-498573-00001 | Wire Tie                |
- PARTS NOT ILLUSTRATED**

PL-60658

**PLATE ASSEMBLY**

**PLATE ASSEMBLY**

ILLUS.	PART NO.	NAME OF PART	AMT.
PL-60658			
1	00-945002	Screw 1/4-20 Truss Hd.....	12
2	00-945033-0000A	Platen Assy. Cover.....	1
3	00-945063	Platen Cover Gasket.....	1
4	000-944371-B0001	Bracket - Retainer.....	2
5	00-944954	Plate - Insulation Retainer.....	1
6	00-945075	Lock Nut 1/4-20 Flange Hex.....	32
7	00-945053	Platen Insulation.....	1
8	00-945019	Retainer - Heating Element.....	1
9	00-945052-00001	Element - Heating (208 V.) (Watlow).....	1
10	00-945052-00002	Element - Heating (240 V.) (Watlow).....	1
11	00-945085	Teflon Kit Teflon sheets for Panda Express are not sourced by ITW.....	1
12	00-945086	Teflon Mount 1/4-20 Shoulder Bold.....	2
13	00-945082-000A3	Platen Plate and Side Panel Assy. (Smooth).....	1
14	00-944504	Clip - Teflon Retaining.....	1
15	00-944505	Sheet - Teflon.....	1
16	00-976846	Tubing.....	AR
17	00-719566	Sleeving - Silicon 1/4 In.....	AR
18	00-976850-00024	Sleeving - Silicon 1/2 In.....	AR
19	00-498573-00001	Wire Tie.....	AR





**ARM MECHANISM**

ILLUS.	PART NO.	NAME OF PART	AMT.
PL-60659			
1	00-945027	Rear Housing Lid.....	1
2	00-945002	Screw 1/4-20 Truss Hd.....	8
3	00-945028	Junction Box Cover.....	1
4	00-945083	Grommet.....	1
5	00-945026	Rear Cover and Junction Box.....	1
6	00-945005	Screw 1/4-20 x 7/16 Hex Hd.....	2
7	00-945007	Lockwasher 1/4.....	2
8	00-945001	Screw 1/4-20 x 3/4 Truss Hd.....	4
9	00-945025	Rear Housing.....	1
10	00-945006	Retaining Clip 1 Shaft.....	4
11	00-945011	Mount Bars, VMCS.....	2
12	00-945010	Height Control Bumper.....	1
13	00-945034	Bumpstop Mount Plate.....	1
14	00-945007	Lockwasher 1/4.....	1
15	00-945004	Screw 1/4-20 x 1-1/4.....	1
16	00-945062	C-Clip 3/4 Shaft.....	2
17	00-945020	Pitman Arm Base.....	2
18	00-945059	Ball Bearing.....	2
19	00-945058	Centering Bracket.....	1
20	00-945009	Screw 8-32 x 3/8 Pan Hd.....	1
21	00-945018	Upper Pivot Rod.....	1
22	00-719566	Sleeving - Silicon.....	1
23	00-945003	Spring - Cut To Length (0.313").....	1
24	00-945035	Cap - Axle Arm.....	1
*25	00-945021	Upper Spring Mount (Previous Construction).....	1
26	00-945078	Pitman Arm Bushing.....	4
27	00-945061	Upper Spring Cap Pin.....	1
*28	00-945022	Spring Alignment Rod (Previous Construction).....	2
*29	00-945056	Lower Spring Alignment Shaft (Previous Construction).....	2
*30	00-945051	System Spring (Previous Construction).....	2
31	00-945024	Lower Pivot Rod.....	1
*32	00-945023	Lower Spring Mount (Previous Construction).....	1
33	00-498756	Screw 6-32 x 3-16.....	1
34	00-945048	Cover - Wireway.....	1
35	00-945083	Grommet.....	1
36	00-945015-00001	Left Arm (With Wireway).....	1
37	00-944953	Bracket - Gap Adjust.....	1
38	00-091792-A0145	Screw.....	2
39	00-945017-00001	Arm Handle.....	1
40	00-944952	Bracket - Gap Adjust Leg.....	1
41	00-090866-A0007	Wing Nut.....	2
42	00-945000	Screw 1/4-20 x 1-1/4 Countersink.....	4
43	00-945016-00001	Right Arm (Without Wireway).....	1
44	00-945087-0000A	Gap Adjust Accessory.....	1
45	00-945088	Mount Bar - Gap Adjust (Req'd W / Item 44).....	1
**46	00-976771-0000A	Spring Mount Assy. (Current Construction).....	1

\* No Longer Available, Use item 46.

\*\* Can only be exchanged as an assembly in the field.

