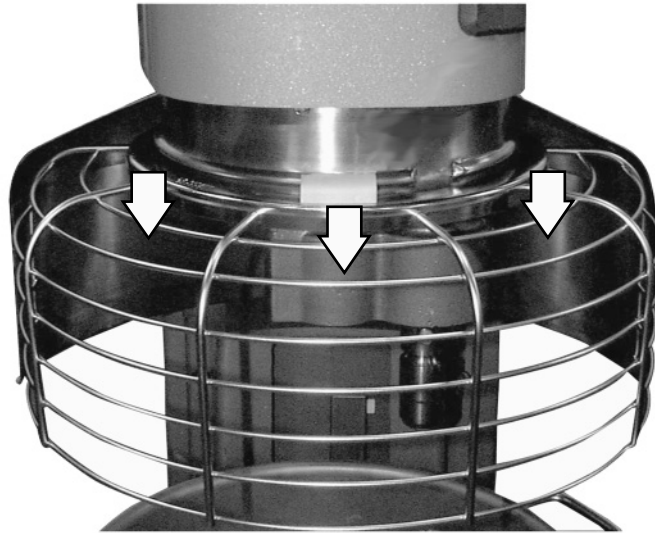


HL600/662 CHUTE KIT PART #438824 INSTALLATION INSTRUCTIONS

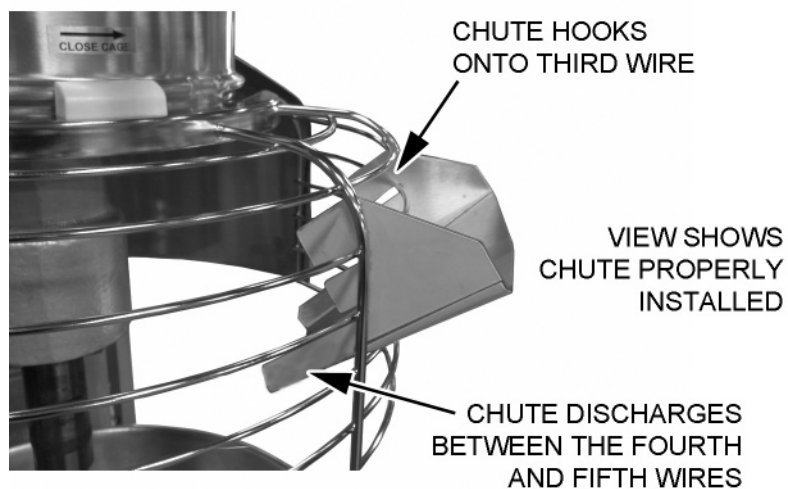
⚠ WARNING Disconnect electrical power supply and follow lockout / tagout procedures.

1. Select a mounting position for the ingredient chute as indicated by the arrows. The chute must be placed between the vertical wires of the bowl guard.



2. Insert the chute between the fourth and fifth wires being sure to engage chute hooks on third wire.

NOTE: Chute can be removed by reversing this procedure.



701 S. RIDGE AVENUE
TROY, OHIO 45374-0001
937-332-3000
www.hobartcorp.com