



HOSHIZAKI

Parts List

Modular Flaker
Serenity Series

Models
FS-1001MLJ-C



hoshizakiamerica.com

Number: 71405
Issued: 3-29-2018
Revised: 6-21-2021

CONTENTS

Auxiliary Codes.....	3
Note About Ordering Parts	3
A. Main Assembly & Refrigeration Circuit	4
B. Icemaking Unit.....	6
C. Water Circuit.....	8
D. Control Box Assembly.....	10
E. Accessories & Labels	12

Auxiliary Codes

FS-1001MLJ-C

G-0	September 2017
H-0	March 2018
J-0	January 2019
J-1	April 2019
J-2	May 2019
K-0	January 2020
K-1	September 2020
L-0	January 2021

Auxiliary Code Breakdown

The auxiliary code is the first two characters in the serial number. The first character indicates the year. Years progress or regress in alphabetical order. The series runs from "A" through "V" and the letters "I" and "O" are skipped. The second character indicates significant part changes within a year. Base is "0" and this number advances for each change. In cases where there is a letter in parentheses, this designates the month. This is the last character in the serial number. The series runs from "(A)" through "(M)" and the letter "(I)" is skipped. This designation is only included when identifying a parts change within an auxiliary code.

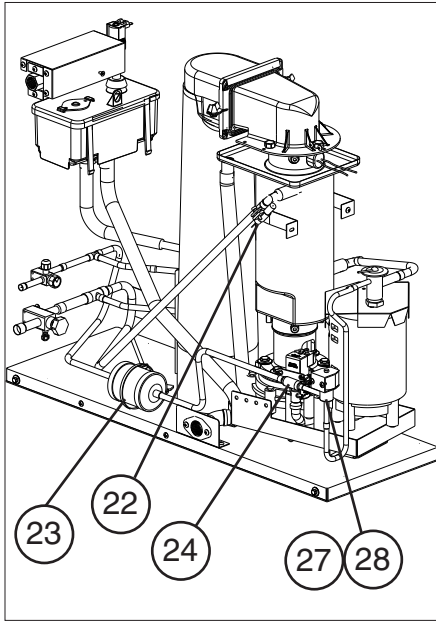
Note About Ordering Parts

Most assemblies cannot be ordered as complete units; parts in the assemblies generally must be ordered separately.

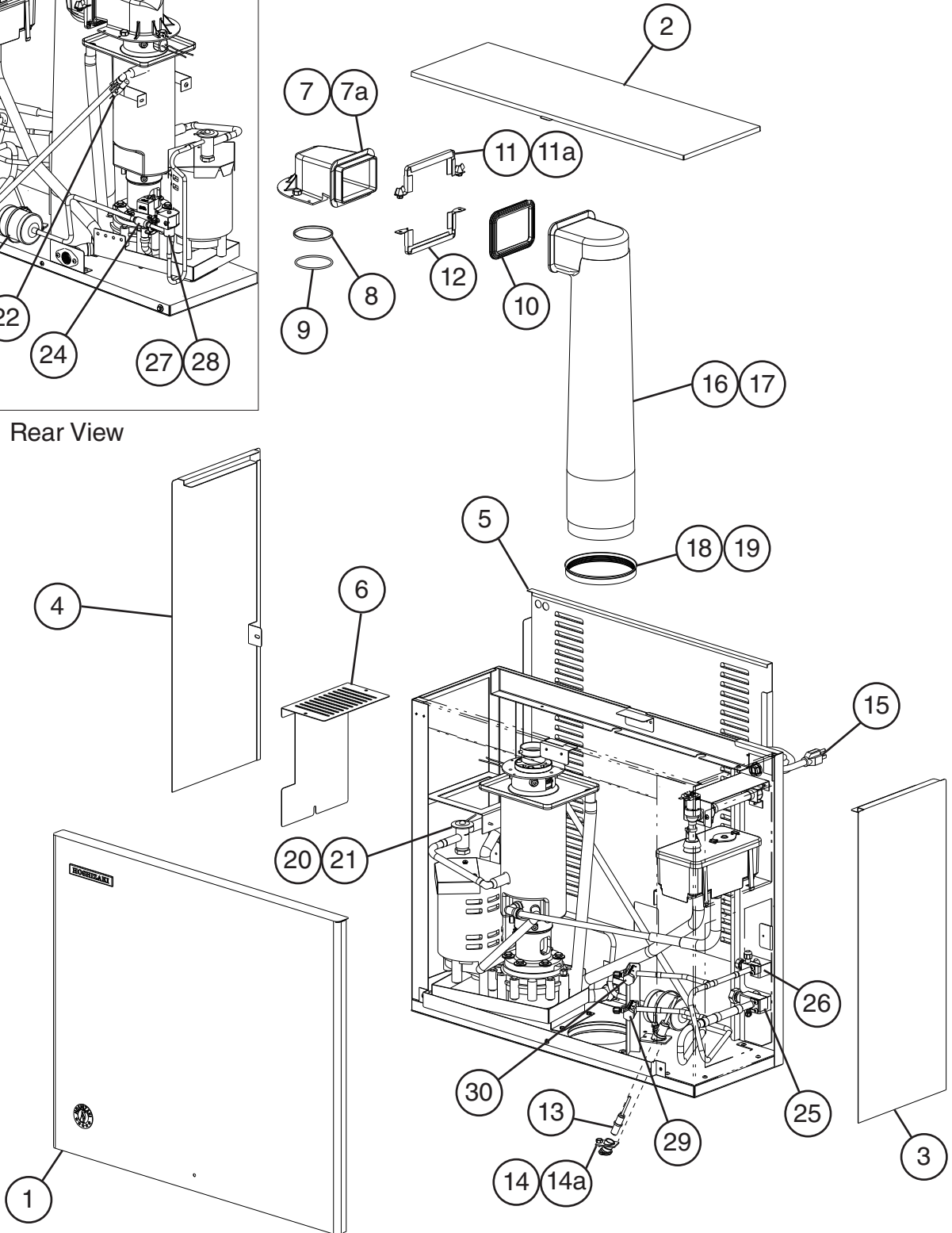
A. Main Assembly & Refrigeration Circuit

FS-1001MLJ-C

G-0 to L-0

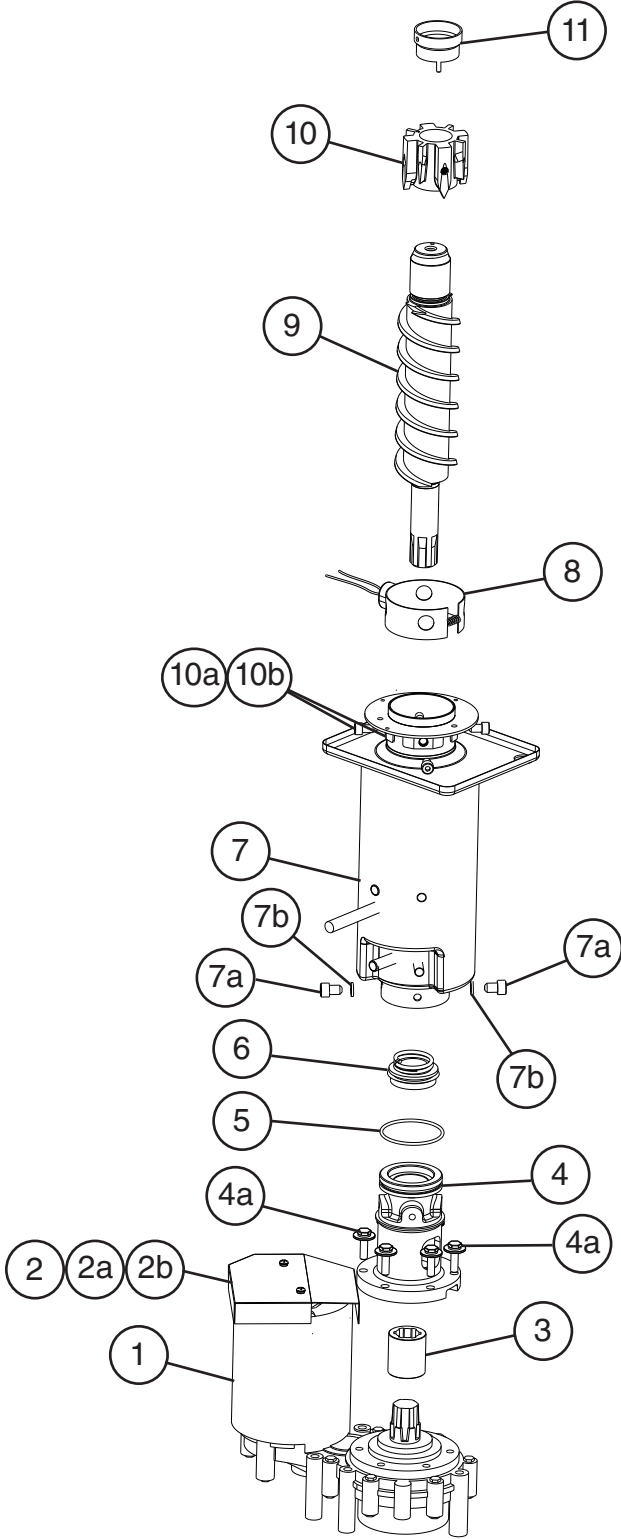


Rear View



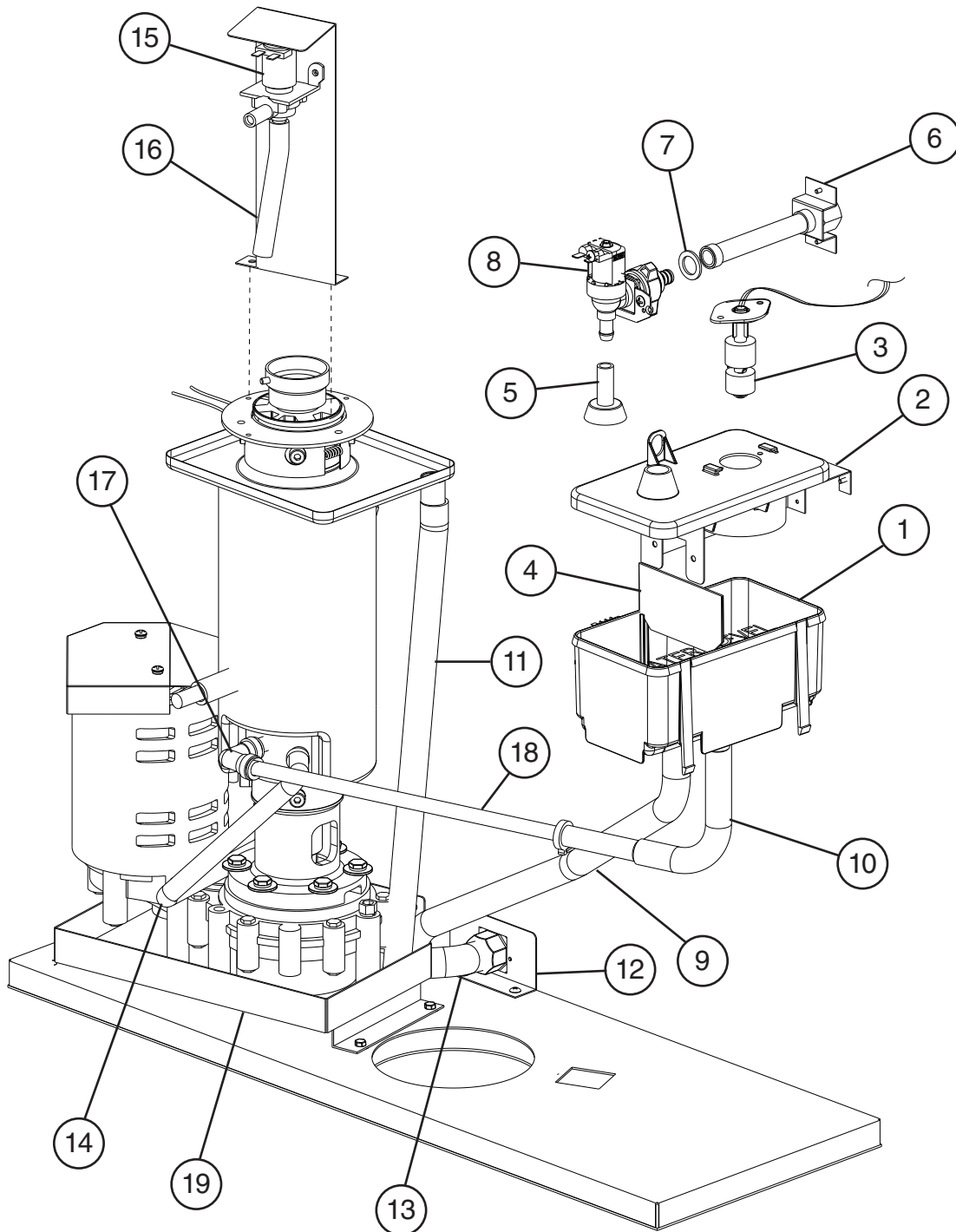
Title: A. Main Assembly & Refrigeration Circuit Model: FS-1001MLJ-C												
Index No.	Description	Material or Model Number	Part Number	G-0 to L-0	Required Number							
Main Assembly												
1	Front Panel		2A3145-01	1								
2	Top Panel		2A3140-01	1								
3	Right Side Panel		3A3328G01	1								
4	Left Side Panel		3A3329G01	1								
5	Rear Panel		1A2762-01	1								
6	Control Box Cover		4A3675-01	1								
7	Spout		104797-01	1								
7a	Thumbscrew		415949G08	3								
8	O-Ring		4A4755-03	1								
9	Nylon Ring		432661-02	1								
10	Spout-to-Chute Packing		321037-01	1								
11	Upper Strap		328703-02	1								
11a	Wing Nut		7E12-0600	2								
12	Lower Strap		321038G02	1								
13	Bin Control (infrared sensor)		4A4469-01	1								
14	Bin Control Housing (infrared sensor)		3A3478-01	1								
14a	Thumbscrew		415949G10	1								
15	Power Cord		4A1773-01	1								
16	Chute		2A1919-03	1								
17	Chute Insulation		2A1920-01	1								
18	Chute Packing		432877-01	1								
19	Ring		3A1017-01	1								
Refrigeration Circuit												
20	Thermostatic Expansion Valve		4A3493-01	1								
21	Thermostatic Expansion Valve Cover		4A1168-01	1								
22	Clamp		4A5641-01	1								
23	Drier		4A1338-01	1								
24	Strainer		4A1385-01	1								
25	Suction Line Shutoff Valve		4A3490-01	1								
26	Liquid Line Shutoff Valve		4A3491-01	1								
27	Liquid Line Valve Body		4A3276-01	1								
28	Valve Coil		4A3277-01	1								
29	Suction Line Service Valve		4A3420-01	1								
30	Liquid Line Service Valve			1								

B. Icemaking Unit
FS-1001MLJ-C
G-0 to L-0



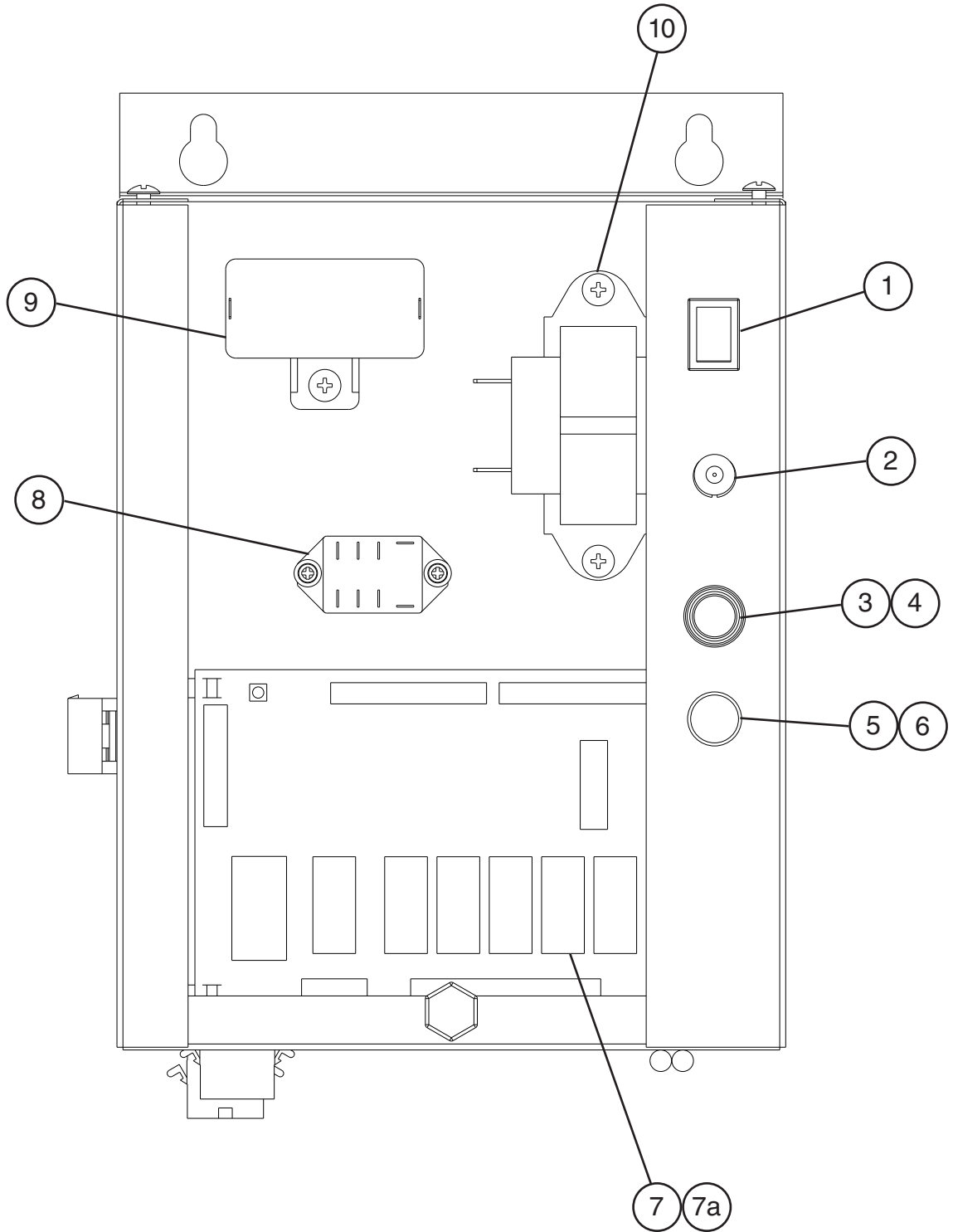
Title: B. Icemaking Unit Model: FS-1001MLJ-C											
Index No.	Description	Material or Model Number	Part Number	G-0 to L-0	Required Number						
1	Gear Motor		4A2007-01	1							
2	Gear Motor Barrier		4A3441-01	1							
2a	Screw		7C32-0408	2							
2b	Washer		4A5268-01	2							
3	Spline Coupling		414137-01	1							
4	Housing		2A1977G01	1							
4a	Hex Head Bolt w/Washer	8x30, SS	7B0230830	6							
5	O-Ring		4A4755-02	1							
6	Mechanical Seal		432492-01	1							
7	Evaporator		2A3314G01	1							
7a	Socket Head Cap Screw	8x12, SS	7S12-0812	4							
7b	Split Lock Washer	M8, SS	7L22-0800	4							
8	Evaporator Heater		4A2292-01	1							
9	Auger		120863G02	1							
10	Extruding Head		216530G07	1							
10a	Seal Bolt	M8, SS	P01768-02	4							
10b	Washer		427184-01	4							
11	Cutter		427183G01	1							

C. Water Circuit
FS-1001MLJ-C
G-0 to L-0



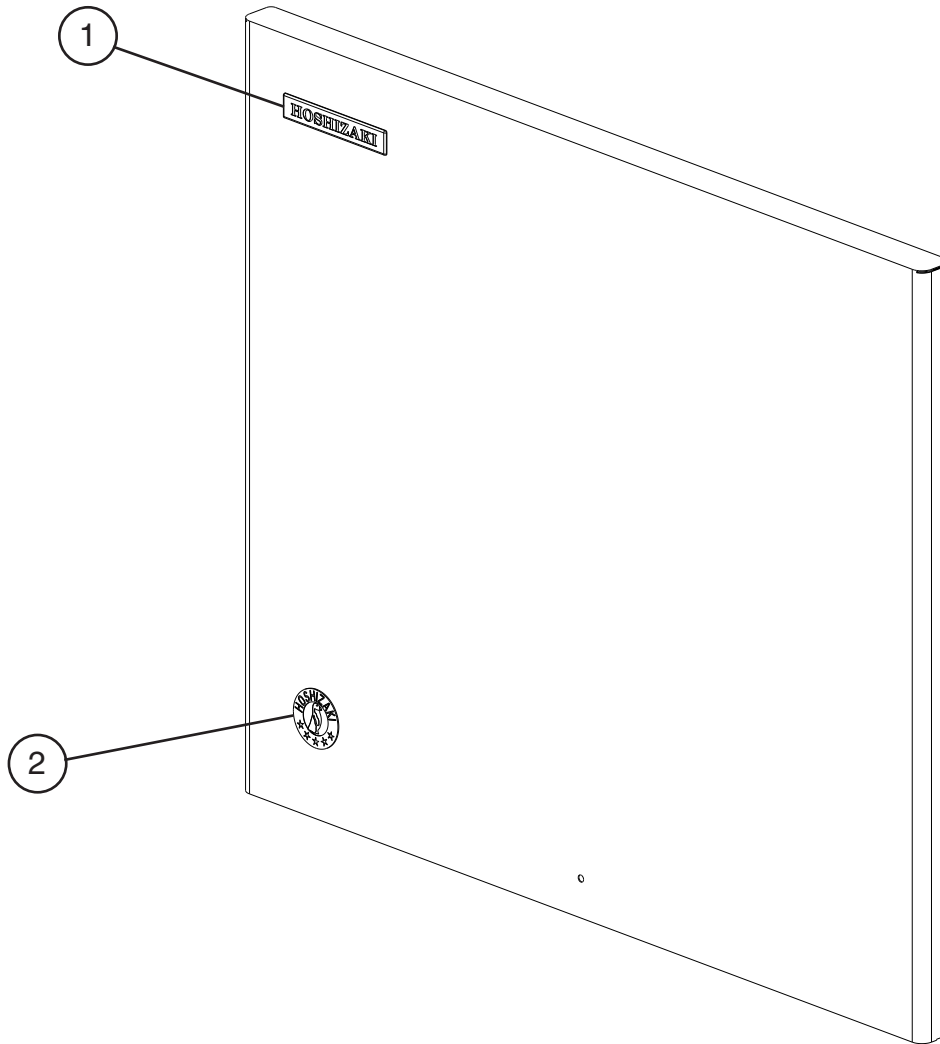
Title: C. Water Circuit Model: FS-1001MLJ-C												
Index No.	Description	Material or Model Number	Part Number	G-0 to H-0	Required Number							
1	Reservoir		2A0753-01	1								
2	Reservoir Cover		214810-01	1								
3	Float Switch		435490-01	1								
4	Reservoir Separator		4A1255-01	1								
5	Reservoir Inlet		4A0869-01	1								
6	Water Supply Pipe		3A7478G01	1								
7	Rubber Gasket		413854-03	1								
8	Inlet Water Valve		4A5309-01	1								
9	Silicone Hose	L=575 mm	7730-1822	1								
10	Reservoir Hose		4A1165-06	1								
11	Vinyl Hose	L=450 mm	7725-1923	1								
12	Drain Fitting		4A5527-01	1								
13	Vinyl Hose	L=45 mm	7716-2025	1								
14	Silicone Hose	L=320 mm	773013896	1								
15	Drain Valve		4A2772-01	1								
16	Silicone Hose	L=75 mm	773013896	1								
17	Elbow		4A4316-01	1								
18	Polyethylene Tube	L=320 mm	4A4317L01	1								
19	Drain Pan Assembly		3A3231G01	1								
Clamps												
	Hose Clamp	17-21 mm	4A2017-05	1								
	Hose Clamp	22-25 mm	4A2017-09	1								
	Hose Clamp	14-15 mm	4A2017-08	4								

D. Control Box Assembly
FS-1001MLJ-C
G-0 to L-0



Title: D. Control Box Assembly Model: FS-1001MLJ-C											
Index No.	Description	Material or Model Number	Part Number	G-0 to L-0							
1	Control Switch		4A0558-01	1							
2	Power Switch		4A2332-01	1							
3	Fuse Holder		4A5443-01	1							
4	Control Board Fuse	AGC-1A, 250VAC	4A0893-01	1							
5	Fuse Holder		4A6101-01	1							
6	Gear Motor Fuse	GMD-3A, 250VAC Slow Blow	4A0893-06	1							
7	Control Board		2A8054-01	1							
7a	Control Board Support		4A0336-03	4							
8	Compressor Control Relay		406132-07	1							
9	Gear Motor Capacitor	24MFD, 250VAC	4A2273-01	1							
10	Control Transformer		4A0557-01	1							

E. Accessories & Labels
FS-1001MLH-C
 G-0 to L-0



Title: E. Accessories & Labels Model: FS-1001MLH-C											
Index No.	Description	Material or Model Number	Part Number	G-0 to H-0	Required Number						
1	Hoshizaki Emblem Label		4A0560-01	1							
2	Penguin Label		475552L02	1							
3	Universal Bracket		4A3668-01	2							
3a	Hex Bolt	5x12, SS	7B02-0512	4							
4	Self-Drilling Screw		7P111234	4							