

# ILLUSTRATED PARTS LIST

## FlavorFusion®/FlavorOverload

### CLADDING COMPONENTS AND OVERALL ASSEMBLY

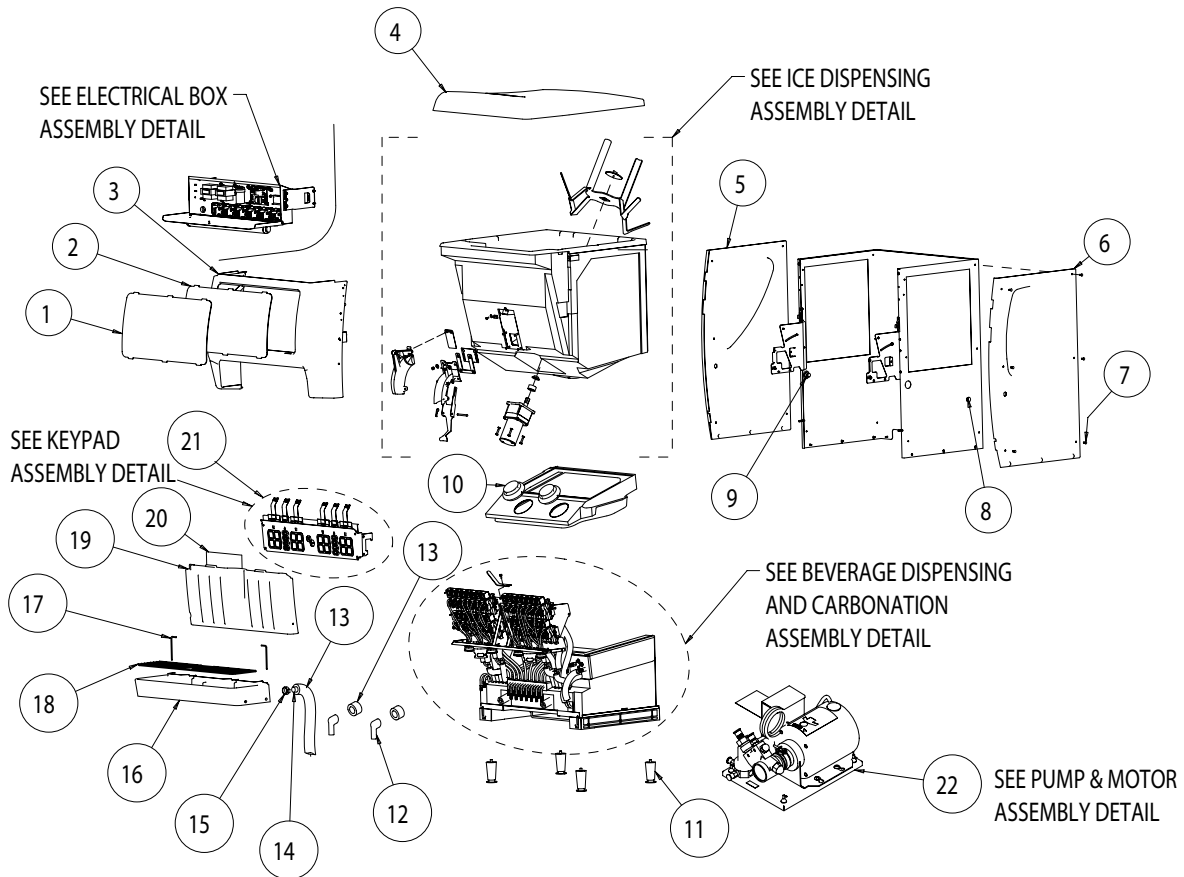


FIGURE 1



Item No.	Part No.	Name
1	620920085 620921021	Merchandiser Graphic (Generic) No Bonus Graphic
2	620518216	Merchandiser Lens
3	620044234 620044239 620044243 620044244	Merchandiser (Black) Assembly: Also Available in Green Orange Silver
4	620517088 620517089 620517086 620517087	Lid (Black): Also available in Green Orange Silver
5	620050762	Left Side Panel
6	620050761	Right Side Panel
7	70747	Machine Screw, #8-32 Truss Head Phillips, Black
8	51908	Mounting Hole Plug
9	32977 70739	Keyswitch Assembly (Keys Included) Replacement Keys Only
10	620516645	Cold Plate Access Cover
11	70970	4" Adjustable Leg, 3/8"-16, Black Plastic with Nickel Plated Foot
12	53011	Rubber Elbow Fitting for Cold Plate Drain

Item No.	Part No.	Name
13	50335	Armaflex Insulation 1-3/8" ID X 3/ 8" Wall: Supplied in 6' lengths.
14	51774	Clear Vinyl Tubing 1" ID X 1/8" Wall: Supplied in 6' lengths.
15	70750	Hose Clamp
16	620046247 620046272 620046273 620046274	Drip Tray (Black) Assembly: Also Available in Green Orange Silver
17	10145	Drip Tray Mounting Pin
18	620708534	Cup Rest
19	620050740 620052993 620053321 620053322	Splash Panel: Order must include item 20 Splash Panel Black Splash Panel Silver Splash Panel Silver 'Z' Style Splash Panel Black 'Z' Style
20	620920670	Plumbing Label Diagram
21	620716108 620052950	Keypad Assembly (Generic) Keypad Assembly (No Bonus)
22	620408124	Pump and Motor Assembly
23	620921372	Splash Panel Instruction Labels (not shown)
24	620921337	Generic Decal Set (not shown)

## ELECTRICAL BOX ASSEMBLY DETAIL

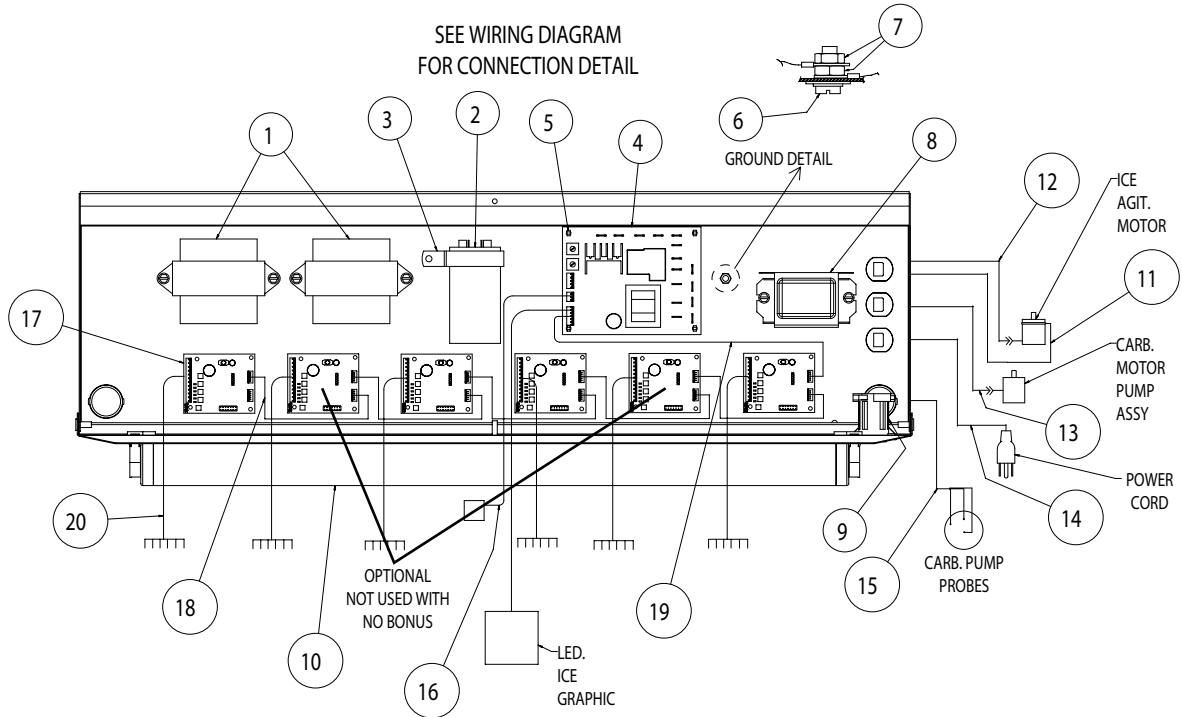


FIGURE 2

Item No.	Part No.	Name
1	620710729	Transformer
2	560002379	Capacitor
3	620717212	Capacitor Mount
4	620314825	Main Electrical Board
5	325925000	Electrical Board Support
6	70120	Machine Screw, #10-32, Ground
7	70015	HEX Nut, 10-32 KEPS
8	31621	Ballast
9	31620	Starter
10	31928	Fluorescent Bulb 23"
11	30794	Agitator Motor Heater
12	620316445	Agitator Motor Harness
13	620316456	Water Pump and Motor Harness
14	30995	Power Cord

Item No.	Part No.	Name
15	620316455	Liquid Level Control Probe Harness
16	620316457	Ice Chute Position Sensor Harness
17	620314824	Electrical Interface Board
18	620316487	Interface Board Synchronization Harness
	620317468	Interface Board Synchronization Harness (No Bonus)
19	620316288	Main Board to Interface Board Synchronization Harness
20	620316444	Solenoid Valve Harness
21	620920673	Wiring Diagram Label (not shown)

## ICE DISPENSING ASSEMBLY DETAIL

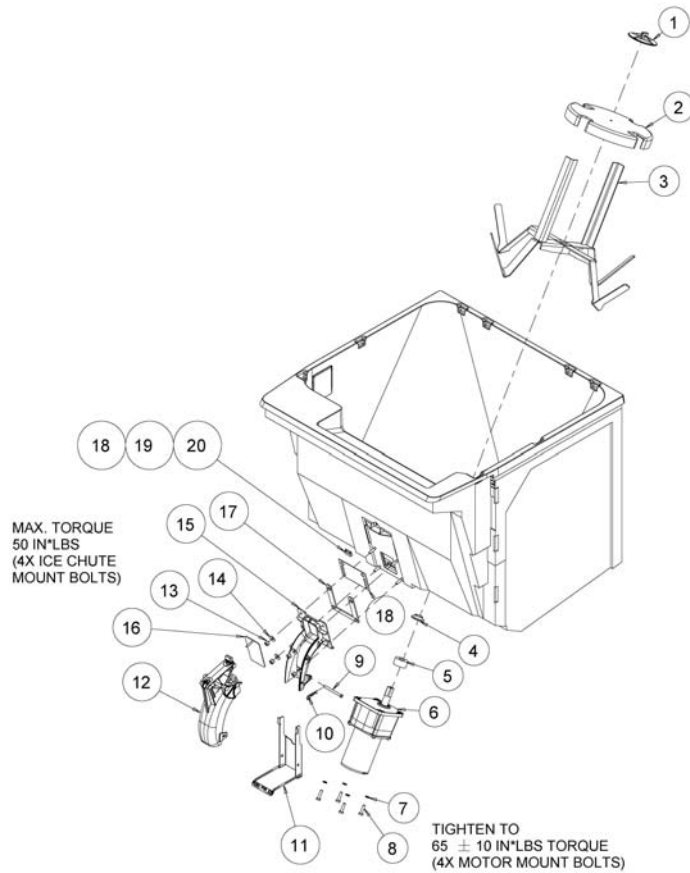


FIGURE 3

Item No.	Part No.	Name
1	15087	Agitator Retainer
2	620042770	Agitator Disk
3a	620042766	Agitator
3b	620042723	Agitator (opt. w/no disk reqd)
4	620711105	Gear Box Shaft Seal
5	52876	Gear Box Shaft Gasket
6	620314923 620314913	Service Motor (Without Gear Box) Motor and Gear Box Assembly
7	186294000	Lock Washer .262" ID X .489" OD X .062" Thick, SS
8	620720590	Self-Locking Socket Head Cap Screw, 1/4-20, 1" Long, SS
9	620051502	Clevis Pin, .250" Dia X 2.75" Long, SS
10	620709432	Hairpin Cotter, SS

Item No.	Part No.	Name
11	620518517 620709311	Ice Chute Push Bar Ice Chute Lever (not shown)
12	620518523	Upper Ice Chute Assembly
13	620709132	Hex Nut, 1/4-20 Nylock, SS
14	70066	Flat Washer, .265" ID X .750" OD X .055" Thick, SS
15	620518513	Lower Ice Chute
16	620048706	Ice Gate
17	620710113	Ice Gate Gasket
18	620046504	Ice Gate Restrictor Plate
19	0704105	Machine Screw #08-32 Truss Phillips Head, 1/2" Long, SS
20	V25248	Flat Washer, #10 SS
21	620314527	Ice Chute Position Sensor
22	90432	Heater Caution Label

## BEVERAGE DISPENSING ASSEMBLY DETAIL

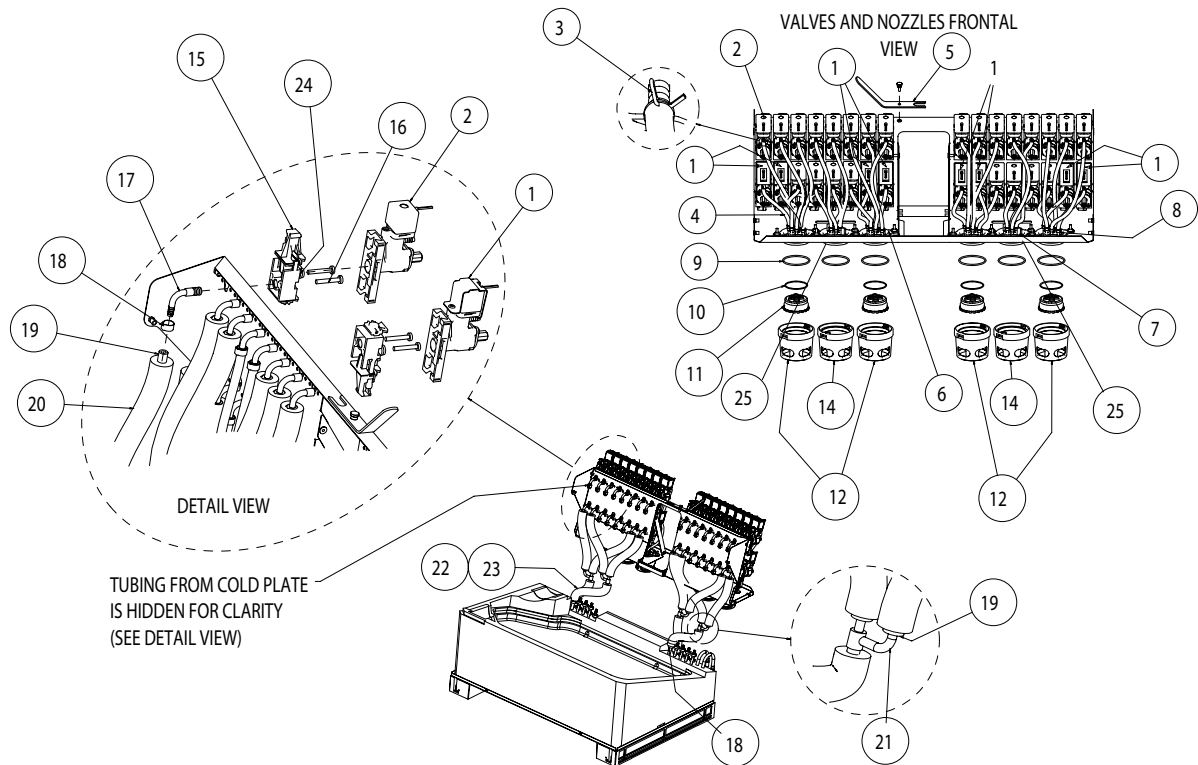


FIGURE 4

Item No.	Part No.	Name
1	620607737	Water Valve: DO NOT SWITCH WITH ITEM 2
2	620607738	Syrup Valve: DO NOT SWITCH WITH ITEM 1
3	LBJ0602141	Torsion Spring Clamp 19/64"
4	620708932	Tygon Tubing 5/16 OD X 3/16 ID: Supplied in 6' Lengths. Connects between Valve Outlet and Baffle.
5	620716708	Valve removal tool
6	620042932	Diffuser: Requires item 9. Cap unused baffle inlets with item 7
7	620043130	Cap
8	311527000	Oetiker clamp # 8.7
9	620716317	O-ring 2.050" 103CS 65-70 Duro
10	620716316	O-ring 1.864" 070CS 65-70 Duro
11	620518712	Diffuser Assembly: Comes with item 10. For brand syrup valves only.
12	620516520	Brand Outer Nozzle
13	620516522	Bonus Outer Nozzle (Optional)
14	620518139	Valve Back Block
15	620700601	Screw, 10-16 Thread Forming Sheetmetal Phillips Head SS, 1.25 Long

Item No.	Part No.	Name
16	620709068	Elbow Fitting, 1/4 Barb X 1/4 Dole, SS: Must fully insulate with Prestite Insulation and Insulation Tape
17	312926000	Oetiker Clamp # 12.3
18	620708933	Tygon Tubing 7/16 OD X 1/4 ID: Supplied in 6' Lengths. Connects Coldplate and Elbow Fittings (Item 17). Must fully insulate with Prestite Insulation and Insulation Tape
19	50163	Armaflex Insulation 3/8 ID X 3/8 WALL: Supplied in 6' lengths.
20	77900800	Y-Fitting (2) 1/4 X 3/8 Barb, SS Must fully insulate with Prestite Insulation and Insulation Tape
21	620607436	Polyethylene Tubing .380" ID X .593" OD: Supplied in 6' lengths.
22	50249	Armaflex Insulation Tubing 1/2 ID X 3/8 WALL: Supplied in 6' lengths.
23	321471000	Dow 111 Lubricant: Apply around O-rings.
24	620516691	No Bonus Cover Assembly (Optional)

## KEYPAD ASSEMBLY DETAIL

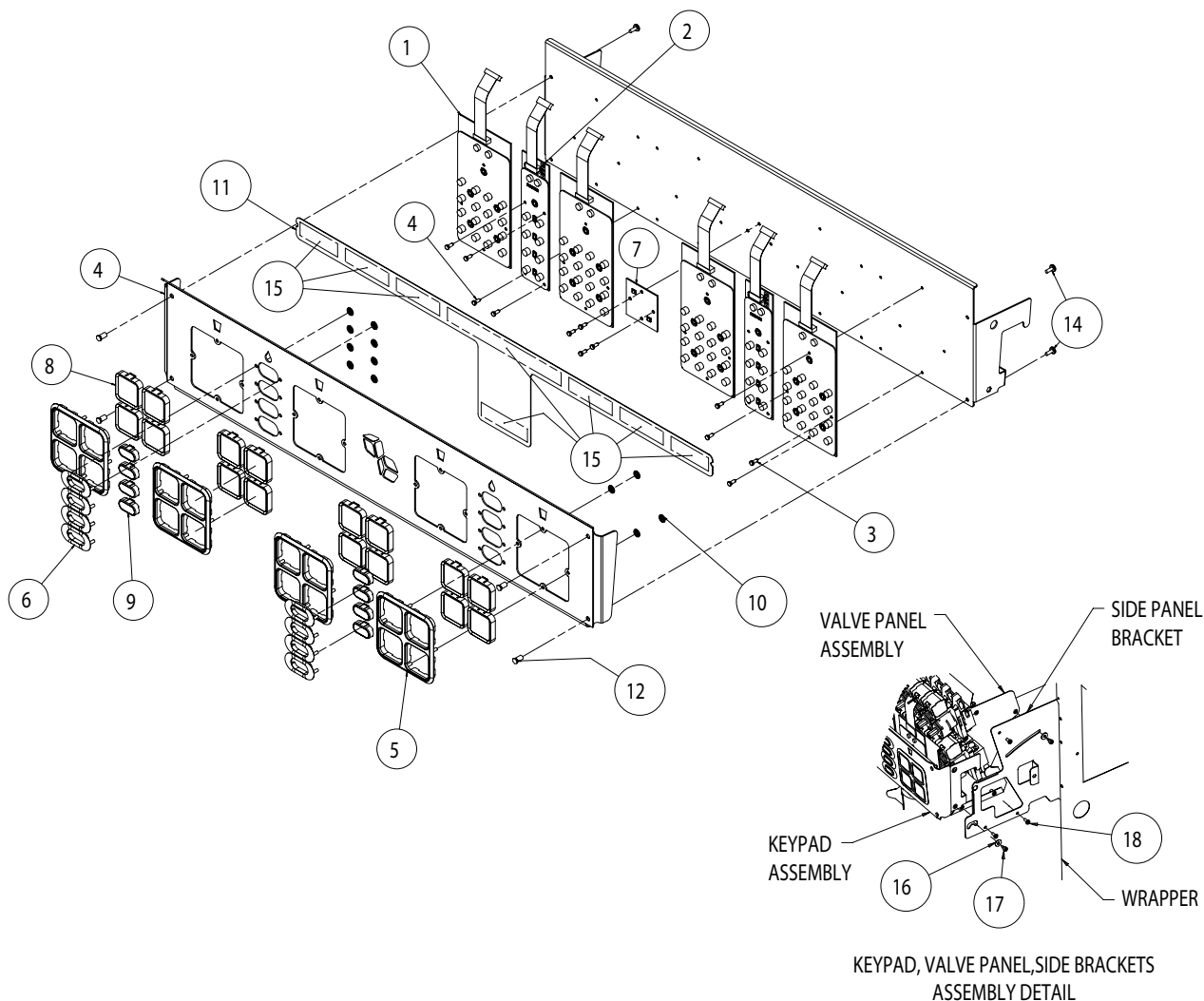


FIGURE 5

Item No.	Part No.	Name
1	620045210	Brand Keypad: Order must include item 19
2	620045209	Bonus Keypad (Optional): Order must include item 19
3	620709634	Pine Tree Push In Clip .118" DIA
4	620716106 620716113	Front Bezel Panel (Generic) Front Bezel Panel (No Bonus)
5	620719401	Brand Bezel
6	620719402	Bonus Bezel (Optional)
7	620314836	Ice Icon Circuit Board
8	620719405	Brand Push Button
9	620719406	Bonus Push Button (Optional)
10	318036000	Push Nut, .125" DIA
11	620518222	Multicolor Indicator Lens

Item No.	Part No.	Name
12	620716907	Stand Off 6-32 Threaded
13	320734000	Machine Screw, #06-32 Pan Head Phillips with Lock Washer, 3/8" Long
14	000251107	Double Sided Tape 1" Wide: Apply tape as shown so back-lighting of icons is not blocked. Supplied on a roll.
15	V25248	#10 Flat washer, SS
16	620720587	Shoulder Head Screw, #08-32 Phillips Head, SS
17	70171	Machine Screw, #8-32 Truss Phillips Head, 3/8" Long, SS
18	620317462	Keypad to E-board Transition Harness (not shown)



## CARBONATOR TANK ASSEMBLY DETAIL

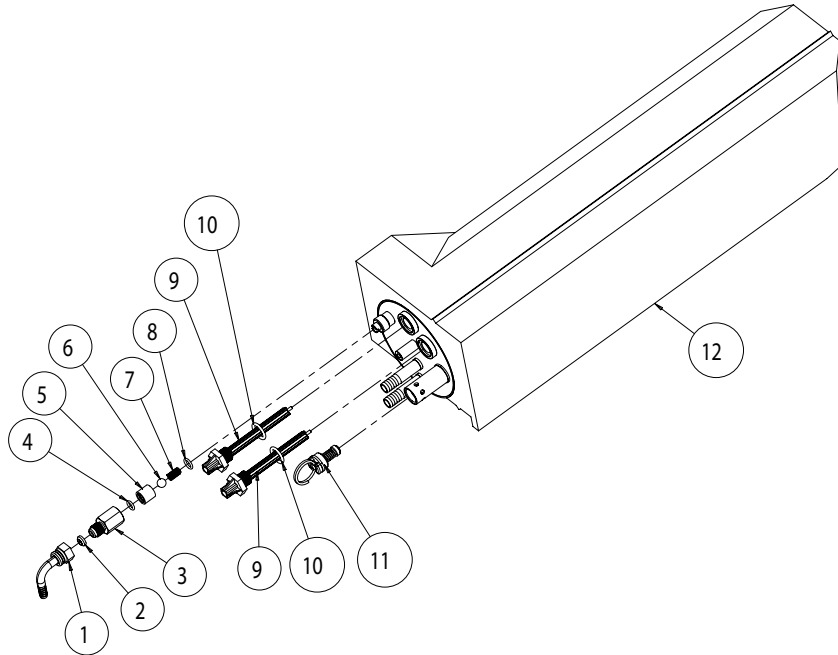


FIGURE 6

Item No.	Part No.	Name
1	77040100	L-Swivel Fitting 7/16"-20 (1/4" FFL) FL X 1/4" Barb, SS
2	178025100	Male Gasket Flare Fitting
3	77401400	Check Valve Fitting
4	398033002	O-Ring .239" ID .070" CS 70 DU BU-N
5	64686	Check Valve, SS
6	64560	Check Valve Ball, .3125" SS
7	64678	Spring

Item No.	Part No.	Name
8	31525012	O-Ring .301" ID .070" CS 60 DU BU-N
9	620607108	Liquid Level Control Probe: Must be purchased together with item 10 (O-ring).
10	31525007	O-Ring .488" ID 103 CS 60 DU BU-N
11	630001122	Black Valve
12	620518322	Carb Tank Complete Assembly

## PUMP AND MOTOR ASSEMBLY DETAIL

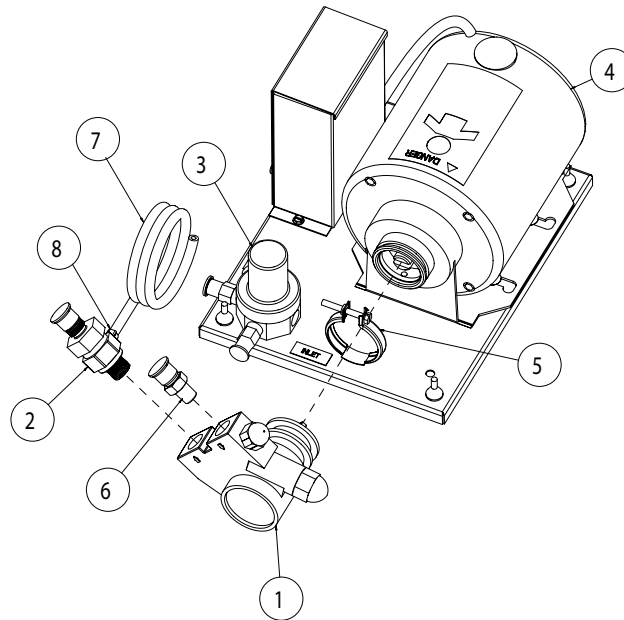


FIGURE 7

Item No.	Part No.	Name
1	60170	Pump, 125GPH
2	620608773	Check Valve 3/8MPT 5/8-18
3	620709802	Pressure Regulator 75 PSIG
4	60030058	Motor Pump

Item No.	Part No.	Name
5	187483000	Clamp
6	111337000	Straight Fitting 3/8 MPT X 3/8 MF, Brass
7	174004000	Polyethylene Tubing .156" ID X .312" OD
8	311527000	Oetiker Clamp #8.7