

Bon CHEF



the
FUTURE
OF BUFFET
STARTS **NOW.**

the
FUTURE
OF BUFFET
STARTS NOW.

A MESSAGE FROM SALVATORE TORRE, PRESIDENT-OWNER, BON CHEF

THE FUTURE BUFFET STARTS NOW.

The leader of Buffet Presentations since 1972, Bon Chef takes the initiative on how to embrace the reemergence of buffets, with suggestions on how to instill confidence to dining guests for them to embrace the buffet again.

BON CHEF'S FOUR-SIDED BUFFET:

Bon Chefs Four-sided Buffet will give your diners the assurance of germ containment during and after this pandemic. The Four-sided Buffet Sneezeguard has complete protection with Two-sided and Top guards. Only the service area remains open.

What everyone loves at a Buffet:

- Great variety of food
- Clear vision of all vessels
- Unlimited portions, controlled by each venue
- Feeding large amounts of customers, efficiently
- Attracting clientele to gaming and sporting events, hotels dining, cruiseline meals, country clubs buffets, catered events, etc.

Bon Chef has the solution with its New Four-sided Clear View Acrylic Sneeze guard. **Here's why!**

- Totally enclosed from the guests view, protecting the spread of germs
- Food is served by an F&B team member, wearing disposable gloves, serving portion controlled amounts as recommended
- Buffet food will still be the star, showcased on the same beautiful serving dishes and serving utensils Bon Chef has always provided
- Your customers will feel protected and confident that no bacteria, germs or virus is being transmitted by hundreds of patrons using the buffet and touching exposed areas
 - Easy to install, simply replace your existing sneeze guard
- Can be installed over steam tables, induction cooking, refrigerated and ice wells
 - Server attendants will keep the food display neat and attractive, more control over portion sizes, saving on food costs
- Standard size Four-sided units are: 8 ft. and 6 ft. – custom sizes are available

Suggestion: Have your servers encourage extra helpings by asking the customer if they would like more to satisfy the customer who enjoys unlimited portions. Their second service portions will be hot and fresh!

Keep the appeal, and the great love of the buffet, while keeping it safe!

BON CHEF'S TOUCHLESS AERO GLOVE DISPENSING UNIT:

The changing needs of public meeting spaces and meals together is where Bon Chef is spotlighting its focus, with focus on protection and comfort.

Bon Chef's Touchless Aero Glove Dispensing Unit (for biodegradable/disposable gloves) will give your customers the confidence to safely utilize the buffet. The unit is available in a countertop model or built onto a stand, to blend with your aesthetic and décor.

The Touchless Aero Glove Dispensing Unit is the safest way to protect your diners and servers from contact contamination. The "air like" dispenser expands the glove as your guests hand motions over the unit. Then, once the glove is expanded guests/patrons or even servers simply slide their hands into their own glove and carry on to enjoy their buffet or dining experience! The Gloves offered are Biodegradable & Poly there is no contamination. These can be used individually or over latex gloves, whatever is preferred.

Simply set up a Bon Chef Safety Station in your food areas, and let us help you utilize the needs you have. Whether it houses just a Touchless Glove Dispensing Unit, or an array of safety components, Bon Chef will create a Safety Station that is beautiful and removes anxiety from the space.

the FUTURE OF BUFFET STARTS NOW.

THE LEADER OF BUFFET PRESENTATIONS SINCE 1972, Bon Chef takes the initiative on how to embrace the reemergence of the buffet, with suggestions on how to instill confidence to dining guests and for them to embrace the buffet again.

THE CHANGING NEEDS of public meeting spaces and meals together is where Bon Chef is spotlighting its focus, with focus on protection and comfort.

SIMPLY SET UP A BON CHEF SAFETY STATION in your food areas, and let us help you utilize the needs you have. Whether it houses just a Touchless Glove Dispensing Unit, or an array of safety components, Bon Chef will create a Safety Station that is beautiful and removes anxiety from the space.

- FOUR-SIDED BUFFET SNEEZEGUARD
- TOUCHLESS AEROGLOVE DISPENSING UNIT
- HEALTH SAFETY SHIELDS



Totally enclosed from the guest's view, protecting the spread of germs. Buffet food will still be the star, showcased on the same beautiful serving dishes and serving utensils Bon Chef has always provided.



MADE IN THE USA

FOUR-SIDED SNEEZEGUARD

What everyone loves at a buffet: • Clear view of all food • Unlimited portions • Feeding large parties efficiently • Attracting clientele to gaming and sporting events, hotel dining, cruiseline meals, country club buffets and catered events • The greatest variety of food



PICTURED ABOVE The Bon Chef Four Sided SneezeGuard can protect both hot and cold food presentations. Can be installed over steam tables, induction cooking, refrigerated and ice wells. Food is served by an F&B team member wearing disposable gloves, serving portion-controlled amounts as recommended.



SUGGESTIONS Have your servers encourage extra helpings by asking the customer if they would like more to satisfy the customer who enjoys unlimited portions. Their second service portions will be hot and fresh!



**ENCLOSED
COLD BUFFET
SNEEZE GUARD**

- CLEAR VIEW ACRYLIC
- POLISHED EDGES
- EASY TO INSTALL, JUST REPLACE YOUR EXISTING SNEEZE GUARD
- CUSTOM SIZES ARE AVAILABLE

ITEM 90170-4: 46" X 24" X 16"

ITEM 90170-6: 70" X 24" X 16"

ITEM 90170-8: 94" X 24" X 16"

**ENCLOSED
HOT BUFFET
SNEEZE GUARD**

- INCLUDES 115 CFM EXHAUST FAN, NEMA 5-15 PLUG
- CLEAR VIEW ACRYLIC
- POLISHED EDGES
- EASY TO INSTALL, JUST REPLACE YOUR EXISTING SNEEZE GUARD
- CUSTOM SIZES ARE AVAILABLE

ITEM 90171-4: 46"x24"x16"

ITEM 90171-6: 70" X 24" X 16"

ITEM 90171-8: 94"x24"x16"

BON CHEF INTRODUCES THE NEW FOUR-SIDED CLEAR VIEW ACRYLIC SNEEZE GUARD

Bon Chef's Four-sided Buffet SneezeGuard will give diners the assurance of germ containment and non-transference after this pandemic. The Four-sided Buffet SneezeGuard has complete protection with front, two-sided, and top guard - only the service area remains open. Your customers will feel protected and confident that no bacteria, germs, or virus is being transmitted by hundreds of patrons using the buffet and touching exposed areas. Keep the appeal and the great love of the buffet, while keeping it safe.



TOUCHLESS AEROGLOVE DISPENSER

The TOUCHLESS AEROGLOVE DISPENSING UNIT (for biodegradable/disposable gloves) will give your customers the confidence to safely utilize the buffet. The unit is available in a countertop model or built into a stand to blend with your aesthetic and decor.



**AEROGLOVE TOUCHLESS
GLOVE DISPENSER
ITEM TG-100**

- 8 - D Batteries included
- 16"L x 10.5"W x 3.5"D
- Mounting hardware included



**POWER ADAPTER
TG-100-PA**



GLOVE REFILL

Clear biodegradable gloves:

TG-CB-1200: 1200 gloves;
8 glove stacks of 150

TG-CB-9600: 9600 gloves,
64 glove stacks of 150
(8 boxes of TG-CB-1200)



**STAND FOR AEROGLOVE
TOUCHLESS GLOVE
DISPENSER
ITEM TG-100-ST**

- 17 ½"L x 12"W x 36"H
- Dispenser sold separately



**SEE THE DISPENSER
IN ACTION!**

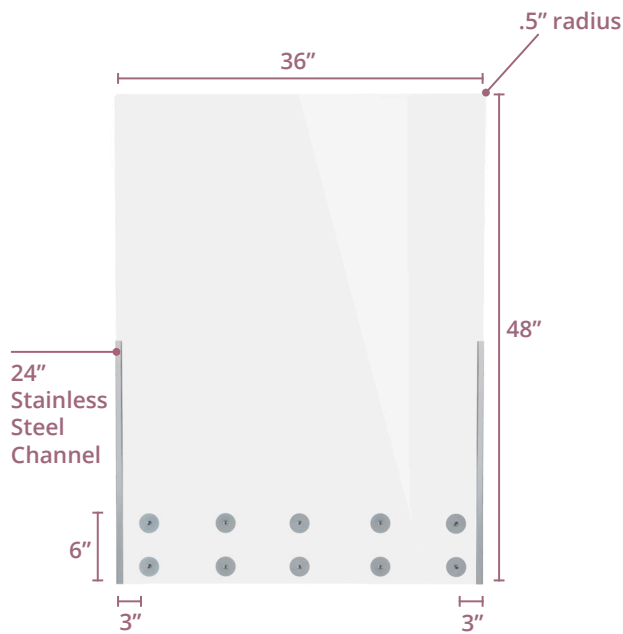
[CLICK TO VIEW VIDEO](#)

The TOUCHLESS AEROGLOVE DISPENSING UNIT is the safest way to protect your diners and servers from contact-contamination. The "air like" dispenser expands the glove as your guests hand motions over the unit. Then, once the glove is expanded guests/patrons or even servers simply slide their hands into their own glove and carry on to enjoy their buffet or dining experience! The Gloves offered are Biodegradable & Poly so there is no contamination. These can be used individually or over latex gloves, whatever is preferred. An anti-microbial addition to the plastic housing of the dispenser keeps things even more sterile.



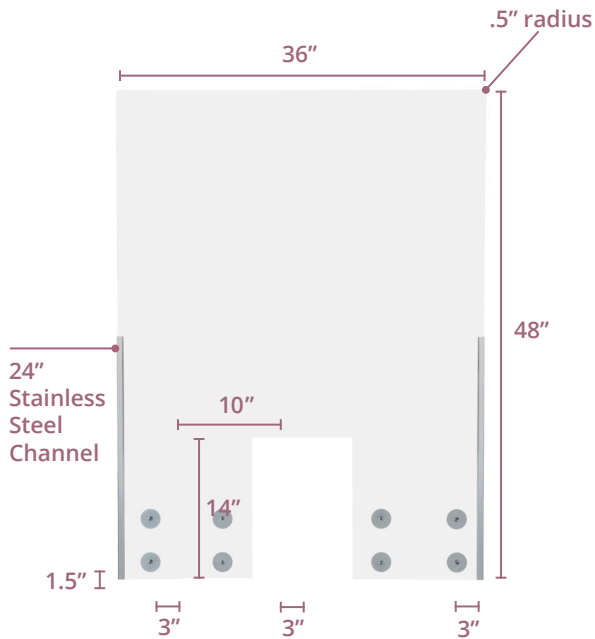
PRACTICE SAFE SOCIAL DISTANCING WITH OUR
HEALTH SAFETY SHIELD

MADE IN THE USA.



**HEALTH SAFETY SHIELD
ITEM 90150**

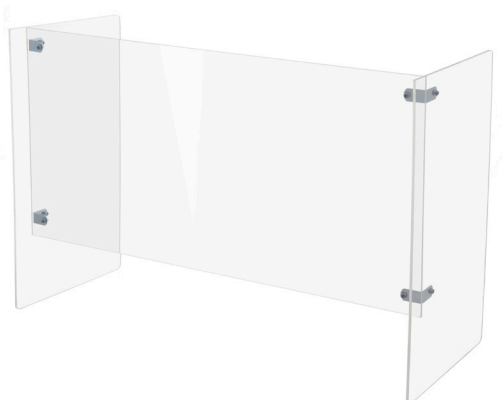
- 36" L x 48" H x .25" D
- .5" RADIUS CORNERS
- POLISHED EDGES
- NO CUTOUT
- EASY INSTALLATION, MOUNTING HARDWARE INCLUDED*



**HEALTH SAFETY SHIELD
WITH POS WINDOW
ITEM 90151**

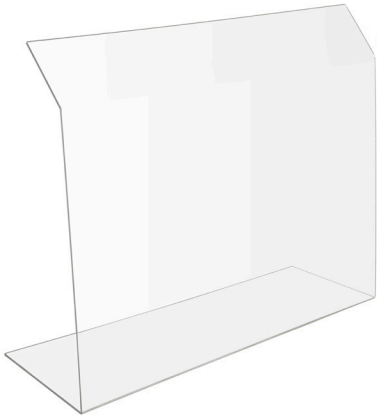
- 36" L x 48" H x .25" D
- .5" RADIUS CORNERS
- POLISHED EDGES
- INCLUDES 10" x 14" POS WINDOW
- WINDOW CAN BE PLACED LEFT, CENTER, OR RIGHT ALIGNED
- EASY INSTALLATION, MOUNTING HARDWARE INCLUDED*

Bon Chef Acrylic Safety Shields are the instant pop-up solution for retail checkout lines, hotel reception and any other interactive activities. Featuring an optically clear sleek design, these shields provide convenient and practical protection.



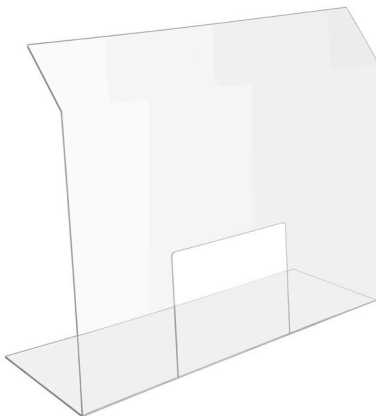
**TABLETOP TRANSACTION
HEALTH SAFETY SHIELD
ITEM 90160**

- 36"W X 12"D X 24"H
- GALVANIZED CONNECTING HARDWARE
- 6" HEIGHT BELOW ACRYLIC SHIELD FOR TRANSACTIONS
- ASSEMBLY REQUIRED



**STANDALONE TABLETOP
HEALTH SAFETY SHIELD
ITEM 90165**

- 31.75" x 12" x 29"
- NO ASSEMBLY REQUIRED



**STANDALONE TABLETOP
HEALTH SAFETY SHIELD
WITH POS WINDOW
ITEM 90166**

- 31.75" x 12" x 29"
- INCLUDES 10" X 8" TRANSACTION WINDOW
- WINDOW CAN BE PLACED LEFT, CENTER,
OR RIGHT ALIGNED
- NO ASSEMBLY REQUIRED

CUSTOM SIZES AVAILABLE

Do you need a safety shield in a different size? Simply email us the dimensions you require and we can produce yours per your specification needs. **Contact us at info@bonchef.com**

*Tools required: screwdriver, power drill, 5/16th spurpoint / dowel bit (preferred) or regular 5/16th bit. Care: non-abrasive cleaners only. No ammonia containing cleansers.



STANDALONE HOSTESS STAND
HEALTH SAFETY SHIELD
ITEM 90180

• 26"W X 11" D X 36"H

PICTURED WITH:
BON CHEF EURO STYLE PODIUM
ITEM 50280

• 30"W X 44" H X 21" D

CUSTOM SIZES AVAILABLE

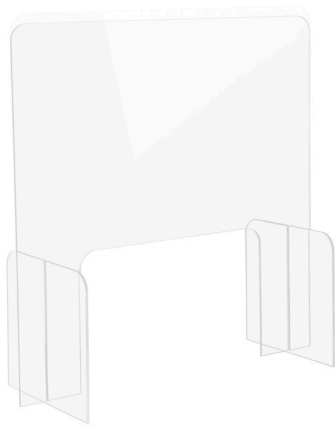
Do you need a safety shield in a different size? Simply email us the dimensions you require and we can produce yours per your specification needs. **Contact us at info@bonchef.com**

*Tools required: screwdriver, power drill, 5/16th spurpoint / dowel bit (preferred) or regular 5/16th bit. Care: non-abrasive cleaners only. No ammonia containing cleansers.



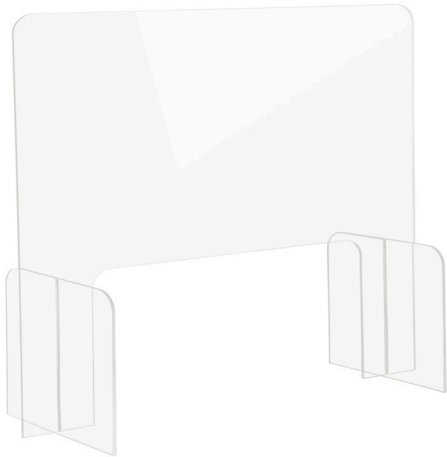
STAY PROTECTED WITH OUR
TABLETOP SAFETY SHIELD

MADE IN THE USA.



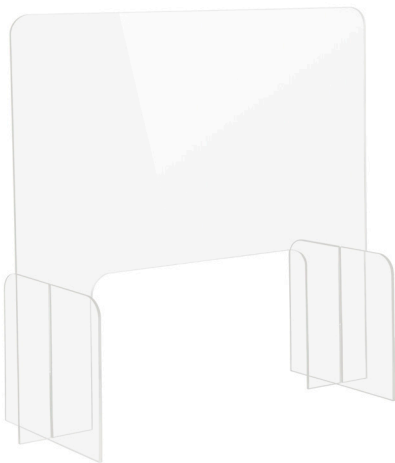
**TABLETOP HEALTH SAFETY SHIELD
ITEM 90177-1**

- 30"W x 32"H
- 18.5"W x 12"H TRANSACTION WINDOW
- POLISHED EDGES



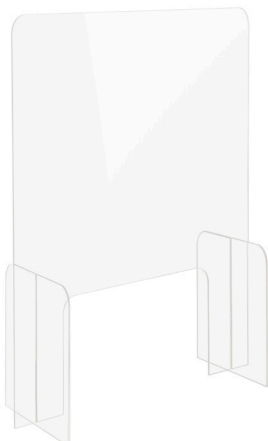
**TABLETOP HEALTH SAFETY SHIELD
ITEM 90177-2**

- 36"W x 31.75"H
- 24.5"W x 12"H TRANSACTION WINDOW
- POLISHED EDGES



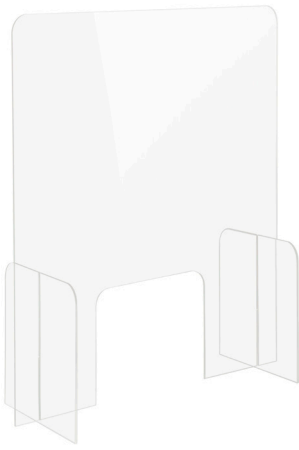
**TABLETOP HEALTH SAFETY SHIELD
ITEM 90177-3**

- 32"W x 31.75"H
- 18.5"W x 12"H TRANSACTION WINDOW
- POLISHED EDGES



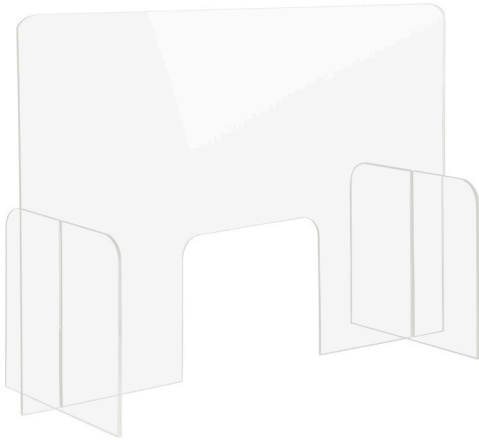
**TABLETOP HEALTH SAFETY SHIELD
ITEM 90177-4**

- 18"W x 32"H
- 12"W x 8"H TRANSACTION WINDOW
- POLISHED EDGES



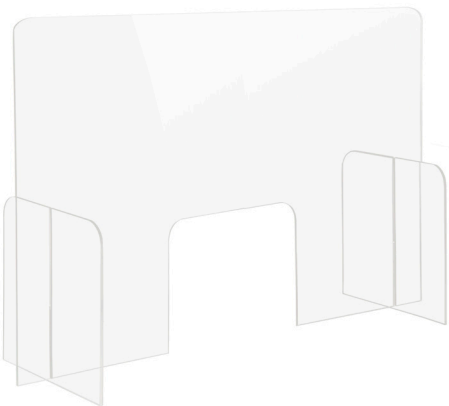
**TABLETOP HEALTH SAFETY SHIELD
ITEM 90177-5**

- 23.75"W x 32"H
- 12"W x 8"H TRANSACTION WINDOW
- POLISHED EDGES



**TABLETOP HEALTH SAFETY SHIELD
ITEM 90177-6**

- 30"W x 23.75"H
- 12"W x 8"H TRANSACTION WINDOW
- POLISHED EDGES



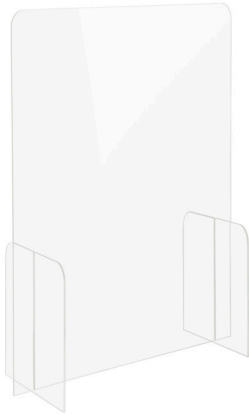
**TABLETOP HEALTH SAFETY SHIELD
ITEM 90177-7**

- 36"W x 23.75"H
- 12"W x 8"H TRANSACTION WINDOW
- POLISHED EDGES



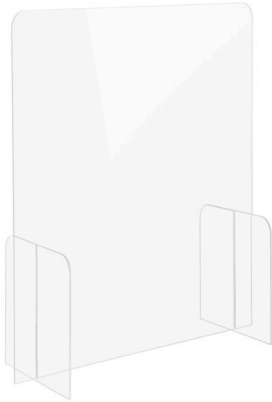
**TABLETOP HEALTH SAFETY SHIELD
ITEM 90177-8**

- 47.75"W x 24"H
- 12"W x 8"H TRANSACTION WINDOW
- POLISHED EDGES



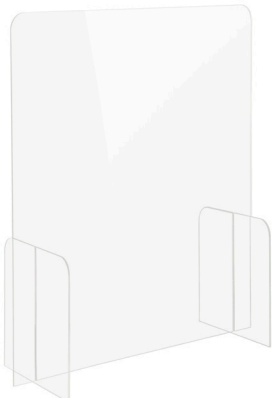
**TABLETOP HEALTH SAFETY SHIELD
ITEM 90177-9**

- 18"W x 32"H
- POLISHED EDGES



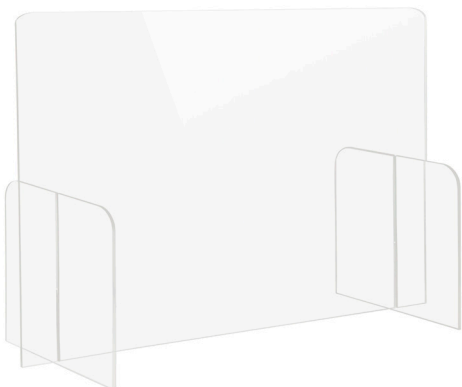
**TABLETOP HEALTH SAFETY SHIELD
ITEM 90177-10**

- 23.75"W x 32"H
- 12"W x 8"H TRANSACTION WINDOW
- POLISHED EDGES



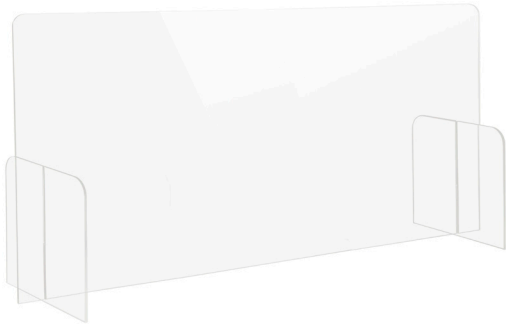
**TABLETOP HEALTH SAFETY SHIELD
ITEM 90177-11**

- 30"W x 24"H
- POLISHED EDGES



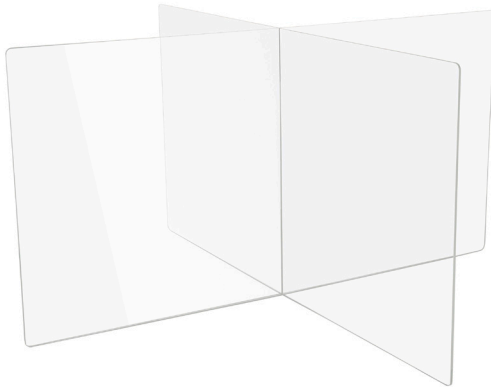
**TABLETOP HEALTH SAFETY SHIELD
ITEM 90177-12**

- 36"W x 24"H
- POLISHED EDGES



**TABLETOP HEALTH SAFETY SHIELD
ITEM 90177-13**

- 48"W x 24"H
- POLISHED EDGES



**TABLETOP HEALTH SAFETY SHIELD:
4 TOP DIVIDER
ITEM 90178-4**

- 45"x27"x24"H
- SANDED EDGES

NEED ASSISTANCE?

For questions or ordering information, please contact us at
info@bonchef.com



MADE IN THE USA.

HEALTH PARTITIONS

Bon Chef's new restaurant table and room/lobby partitions are the perfect solution to protect your guests while they are dining. Configure in tandem or create private spaces.



**RESTAURANT TABLE PARTITION
ITEM 90200-B-C**

- 48" X 18" X 60"
- ANODIZED ALUMINUM FRAME
- 1/4" CLEAR ACRYLIC SHIELD
- BLACK PRIVACY PANEL*
- 2" CASTERS
- LIFT OFF HINGE FOR MODULAR CONFIGURATIONS
- EASILY CLEANABLE

Also available with full acrylic panel



**RESTAURANT/TABLE PARTITION
ITEM 90200-C**

- 48" X 18" X 60"
- ANODIZED ALUMINUM FRAME
- 1/4" CLEAR ACRYLIC SHIELD
- 2" CASTERS
- LIFT OFF HINGE FOR MODULAR CONFIGURATIONS
- EASILY CLEANABLE

CUSTOM SIZES, COLORS, PRIVACY PANELS AVAILABLE

Do you need a partition in a different size, color, or configuration?

Reach out to us and we can produce to your specifications.

Contact us at info@bonchef.com



ROOM / LOBBY PARTITION
ITEM 90210-B-C

- 40" X 18" X 74"
- ANODIZED ALUMINUM FRAME
- 1/4" CLEAR ACRYLIC SHIELD
- BLACK PRIVACY PANEL*
- 2" CASTERS
- LIFT OFF HINGE FOR MODULAR CONFIGURATIONS
- EASILY CLEANABLE

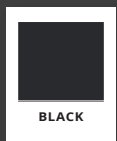
Also available with full acrylic panel



ROOM / LOBBY PARTITION
ITEM 90210-C

- 40" X 18" X 74"
- ANODIZED ALUMINUM FRAME
- 1/4" CLEAR ACRYLIC SHIELD
- 2" CASTERS
- LIFT OFF HINGE FOR MODULAR CONFIGURATIONS
- EASILY CLEANABLE

*The privacy panels are also available in the following colors:



BLACK



CHARCOAL
GRAY



DOLPHIN
GRAY



INDIGO



MOCHA
BROWN



NUTMEG



SANSHADE



SEAFOAM



SLATE
GRAY



WHITE



MADE IN THE USA.

BARTOP HEALTH SAFETY SHIELD

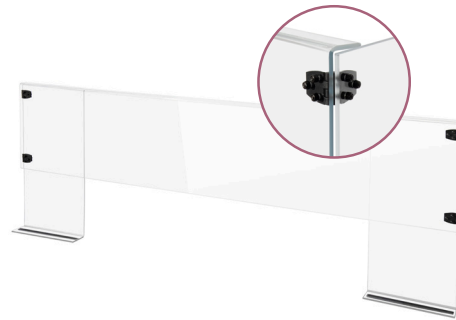
Increase foot traffic to your establishment or venue by helping your employees and guests feel safe with Bon Chef's new Collapsible Bartop Health Safety Shield.



**COLLAPSIBLE BARTOP HEALTH SAFETY SHIELD
ITEM 90161**

- *SHOWN IN:* 66" X 12" X 24"
- CUSTOM SIZES AVAILABLE
- 10" SERVING CLEARANCE
- FOLDS FOR EASY STORAGE
- MOUNTS TO YOUR BAR WITH HOOK AND LOOP FASTENER FOR STABILITY

- *SHOWN WITH:* PORTABLE BAR, PLANK STYLE WOOD BODY WITH WARMSTONE TOP AND COLD WELL
ITEM 51050



- CONSTRUCTED WITH STURDY HINGES, THIS UNIT FOLDS FLAT FOR EASY STORAGE AND TRANSPORT

NEED ASSISTANCE?

For questions or ordering information, please contact us at
info@bonchef.com



MADE IN THE USA

TOUCHLESS COFFEE URN ADAPTER

Bon Chef's latest innovation keeps guests and employees safe with a hands-free spigot adapter. Easy to install, simply snap on the Touchless Adapter over the spigot and lean your coffee cup in for that perfect pour. Use on coffee urns or beverage dispensers (tea, infused water, milk). For disposable or ceramic cups and mugs, and with hot and cold liquids.



TOUCHLESS COFFEE URN ADAPTER

ITEM 87005

MADE BY BON CHEF IN NJ

- BRUSHED FINISH
- 18/8 STAINLESS STEEL
- DISHWASHER SAFE
- 7.75"L X 2.25"W
- USE WITH DISPOSABLES OR CERAMIC
- SUITABLE FOR HOT OR COLD LIQUIDS
- CASE PACK OF 12



NEED ASSISTANCE?

For questions or ordering information, please contact us at
info@bonchef.com