

GF Sentry Series Infra-Red Salamander Broilers

Parts List

Models

GFIR36CM

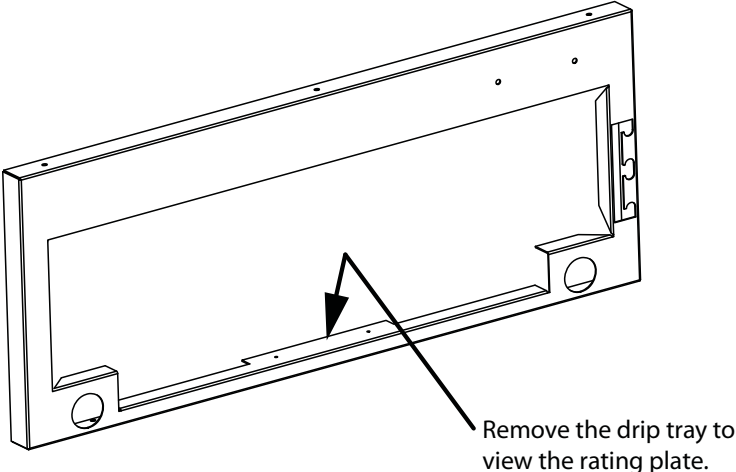
GFIR36M

GFIR48M

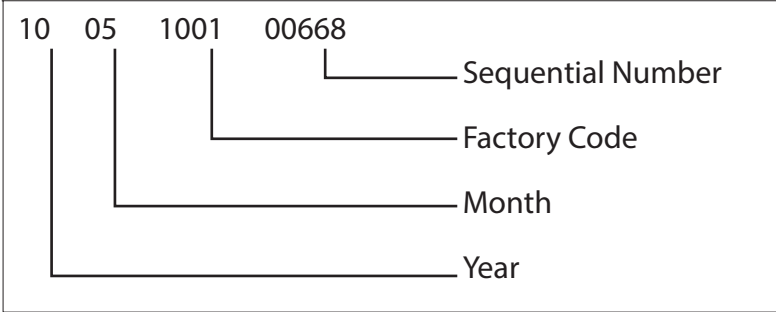
GFIR60M



Rating Plate Location



Serial Number Explained (13-Digits, Year/Month Information)

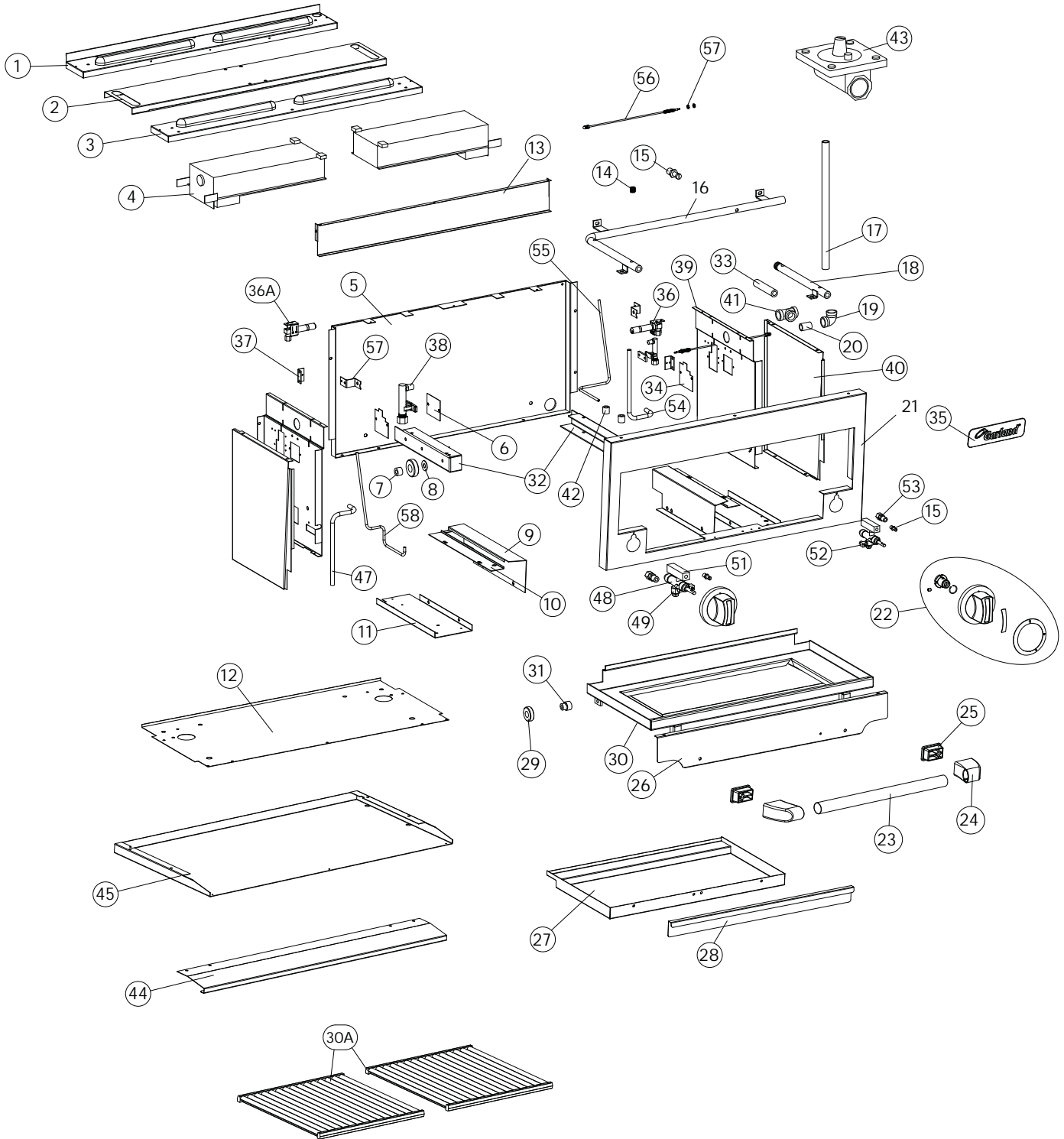




GF Sentry Series Infra-Red Salamander Broiler

Contents:

| | |
|---|----|
| Rating Plate Location / Serial Number Explained (Year/Month Information)..... | 2 |
| Components..... | 4 |
| Rear Panel for 36in Model | 7 |
| Rear Panel for 48in Model | 8 |
| Rear Panel for 60in Model | 9 |
| Optional Inter-Connect Gas Kit | 10 |
| Revision History..... | 12 |



GARLAND PARTS IDENTIFICATION
GF Sentry Series Infra-Red Salamander Broiler

| Item | Part# | Description | GFIR36M | GFIR36CM | GFIR48M | GFIR60M | Critical |
|------|------------------|---|---------|----------|---------|---------|----------|
| 1 | G01377-1-9 | Main Top Back | 1 | 1 | 1 | 1 | |
| 2 | G01376-1-9 | Main Top Centre | 1 | 1 | 1 | 1 | |
| 3 | G01375-1-9 | Main Top Front | 1 | 1 | 1 | 1 | |
| 4 | CK117 | SRC Burner Assembly Kit (includes burner G01408-01) | 1 | 1 | 1 | 1 | |
| 5 | 2564200 | Flue Back | 1 | 1 | 1 | 1 | |
| 6 | G01372-1-6 | Orifice Fitting Cover | 1 | 1 | 1 | 1 | |
| 7 | G01247-2 | Front Bearing | 2 | 2 | 2 | 2 | |
| 8 | F112 | Washer Bearing | 2 | 2 | 2 | 2 | |
| 9 | 2592798 | Valve Housing Assy LH | 1 | 1 | 1 | 1 | |
| | 2592799 | Valve Housing Assy RH | 1 | 1 | 1 | 1 | |
| 10 | 2576200 | Valve Housing Retainer | 1 | 1 | 1 | 1 | |
| 11 | 2541998 | Manifold Housing Bottom LH | 1 | 1 | 1 | 1 | |
| | 2541999 | Manifold Housing Bottom RH | 1 | 1 | 1 | 1 | |
| 12 | 2540800 | Bottom Cover (GFIR36C Models ONLY) | | 1 | | | |
| 13 | 2580200 | Front Brace | 1 | 1 | 1 | 1 | |
| 14 | 2203400 | Cnt. Sunk 1/8" NPT Hex Plug | 4 | 4 | 4 | 4 | |
| 15 | G02251-1 | Pressure Test Spigot | 3 | 3 | 3 | 3 | |
| 16 | 2541799 | Manifold Assembly | 1 | 1 | 1 | 1 | |
| 17 | G01477-9 | Nipple 1/2" NPT x 18" Long | 1 | 1 | 1 | 1 | |
| 18 | 2567999 | Sub-Manifold Assembly | 1 | 1 | 1 | 1 | |
| 19 | G01474-2 | Elbow - 1/2 NPT | 1 | 1 | 1 | 1 | |
| 20 | G01477-10 | Nipple 1/2" NPT x 1-1/2" Long | 1 | 1 | 1 | 1 | |
| 21 | 2593100 | Front Frame | 1 | 1 | 1 | 1 | |
| 22 | CK4527470 | GFIR Series Salamander Knob Assembly | 2 | 2 | 2 | 2 | C |
| 23 | 4526039 | GFIR Salamander Handle | 1 | 1 | 1 | 1 | |
| 24 | 4522404 | Door Handle End (Universal Left/Right Hand) | 2 | 2 | 2 | 2 | |
| 25 | 4522407 | Door Handle End Insulator (Universal Left/Right Hand) | 2 | 2 | 2 | 2 | |
| 26 | 2592600 | Rack Veneer | 1 | 1 | 1 | 1 | |
| 27 | 2601300 | Grease Tray | 1 | 1 | 1 | 1 | |
| 28 | 2540700 | Grease Tray Front | 1 | 1 | 1 | 1 | |
| 29 | G01244-1 | Large Roller Bearing | 4 | 4 | 4 | 4 | |
| 30 | 2593099 | Rack Frame & Grease Chute Assembly | 1 | 1 | 1 | 1 | |
| 30A* | 4520649 | Rack (Double Sided - Half Round/Diamond) | 2 | 2 | 2 | 2 | |
| 31 | G01247-3 | Rear Bushing | 2 | 2 | 2 | 2 | |
| 32 | G02469-01-81 | Roller Guide Assembly R/H | 1 | 1 | 1 | 1 | |
| | G02469-01-82 | Roller Guide Assembly L/H | 1 | 1 | 1 | 1 | |
| 33 | G01477-2 | Nipple 1/2" NPT x 4-1/8" Long | 2 | 2 | 2 | 2 | |
| 34 | 4532794 | Cover Plate | 2 | 2 | 2 | 2 | |
| 35 | 4529724 | Nameplate Large- GARLAND | 1 | 1 | 1 | 1 | |
| 36 | G01267-5 | Pilot Burner | 2 | 2 | 2 | 2 | C |
| 36A | G01267-2 | Pilot Orifice Fitting - Natural Gas | 2 | 2 | 2 | 2 | C |
| | G01267-6 | Pilot Orifice Fitting - Propane Gas, #14Z | 2 | 2 | 2 | 2 | C |
| 37 | 4532795 | Pilot Bracket | 2 | 2 | 2 | 2 | |
| 38 | G01411-XX | Orifice Fitting Less Hood | 2 | 2 | 2 | 2 | C |
| | M7-1.44MM | Small Orifice PROPANE, Salamander, 1.4mm (from sea level, 0-2000 feet) | 2 | 2 | 2 | 2 | C |
| | M7-43 | SRC Orifice NATURAL GAS, 43 Size (from sea level, 0-2000 feet) | 2 | 2 | 2 | 2 | C |

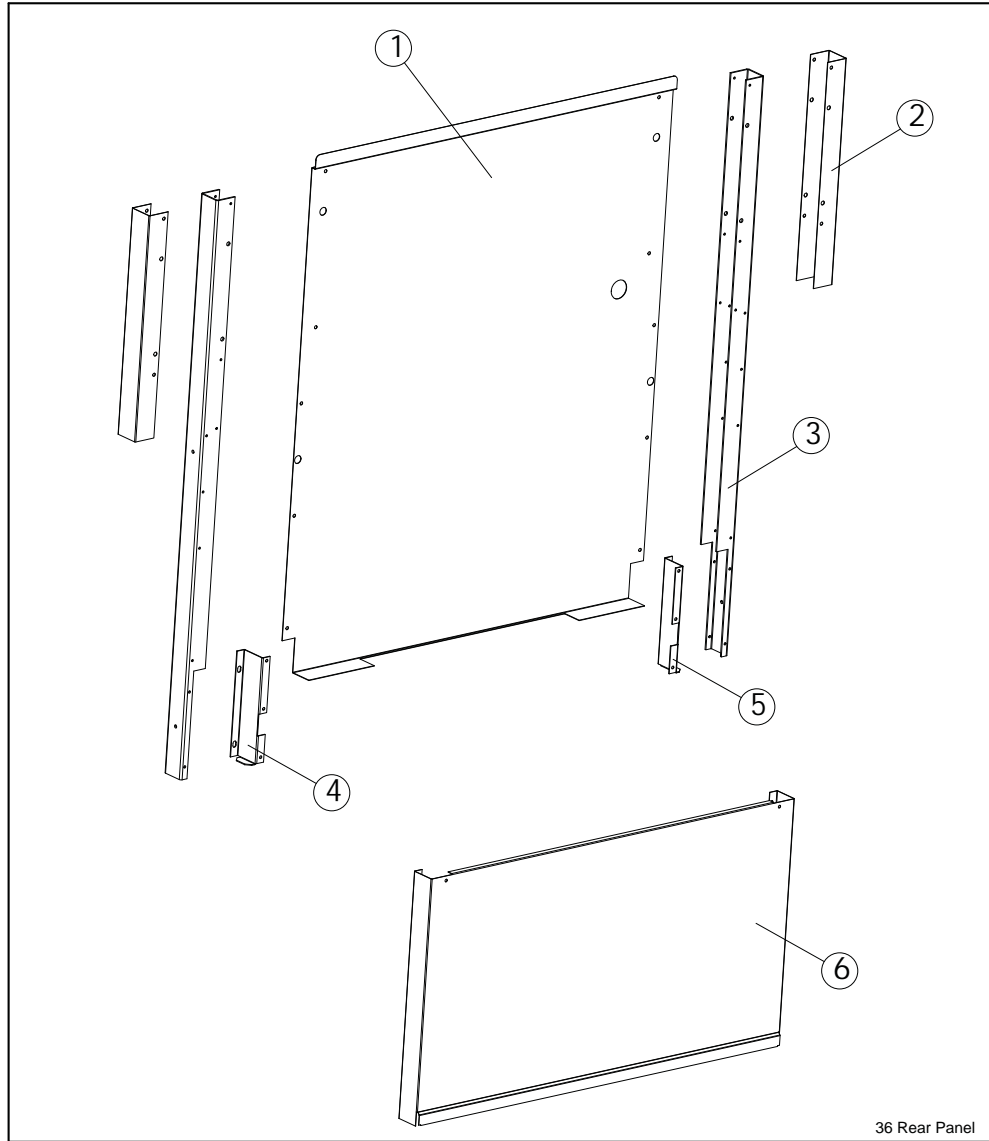
* NOT ILLUSTRATED
RECOMMENDED STOCK PARTS

GARLAND PARTS IDENTIFICATION
GF Sentry Series Infra-Red Salamander Broiler

| Item | Part# | Description | GFIR36M | GFIR36CM | GFIR48M | GFIR60M | Critical |
|------|------------|---|---------|----------|---------|---------|----------|
| 39 | 4526785 | Side Liner - Right Hand | 1 | 1 | 1 | 1 | |
| | 4526786 | Side Liner - Left Hand | 1 | 1 | 1 | 1 | |
| 40 | 2567302 | Main Side R/H (S/S) | 1 | 1 | 1 | 1 | |
| | 2567303 | Main Side L/H (S/S) | 1 | 1 | 1 | 1 | |
| 41 | G01476-1 | Tee 1/2" NPT | 1 | 1 | 1 | 1 | |
| 42 | G01989-1-8 | Post Bearing 1/2" Dia x 1/2" Long | 4 | 4 | 4 | 4 | |
| 43 | 2127500 | Regulator 3/4" PROPANE Gas 10IN W/C NOTE: Always check rating plate for correct gas pressure. | 1 | 1 | 1 | 1 | C |
| | 2127502 | Regulator 3/4" NATURAL Gas 4.0IN W/C NOTE: Always check rating plate for correct gas pressure. | 1 | 1 | 1 | 1 | C |
| 44 | 2612000 | Heat Shield Front S/S | 1 | 1 | 1 | 1 | |
| 45 | 2612100 | Heat Shield Bottom S/S | 1 | 1 | 1 | 1 | |
| 47 | 4527406 | 7/16 Dia Tubing Valve - Orifice Left | 1 | 1 | 1 | 1 | |
| 48 | 2200199 | Flame Failure Valve | 2 | 2 | 2 | 2 | C |
| 49 | 2198102 | Valve Connector Fitting 10mm | 2 | 2 | 2 | 2 | C |
| 51 | 2542000 | Valve Extension Block | 2 | 2 | 2 | 2 | |
| 52 | G03674-3 | Valve-Pilot 1/4" 90° | 2 | 2 | 2 | 2 | |
| 53 | G01243-1 | Fitting 7-16" CC x 1/4" NPT | 2 | 2 | 2 | 2 | C |
| 54 | 4527406 | 7/16" x 16" Dia Tubing Valve - Orifice Right | 1 | 1 | 1 | 1 | |
| 55 | 4527418 | 1/4" Dia Tubing Pilot - Flame Failure Right | 1 | 1 | 1 | 1 | |
| 56 | 2321902 | Thermocouple 23 1/2" | 2 | 2 | 2 | 2 | C |
| 57 | 2155202 | M8 X 1 Brass Nut - Thermocouple | 4 | 4 | 4 | 4 | C |
| 57 | 4532796 | Thermocouple Support Bracket - Left / Right | 1 | 1 | 1 | 1 | |
| 58 | 4527418 | 1/4" x 18" Dia Tubing Pilot - Flame Failure Left | 1 | 1 | 1 | 1 | |

* NOT ILLUSTRATED
RECOMMENDED STOCK PARTS

GARLAND PARTS IDENTIFICATION
GF Sentry Series Infra-Red Salamander Broiler
Range Mount Components to Install Salamander 36" Model

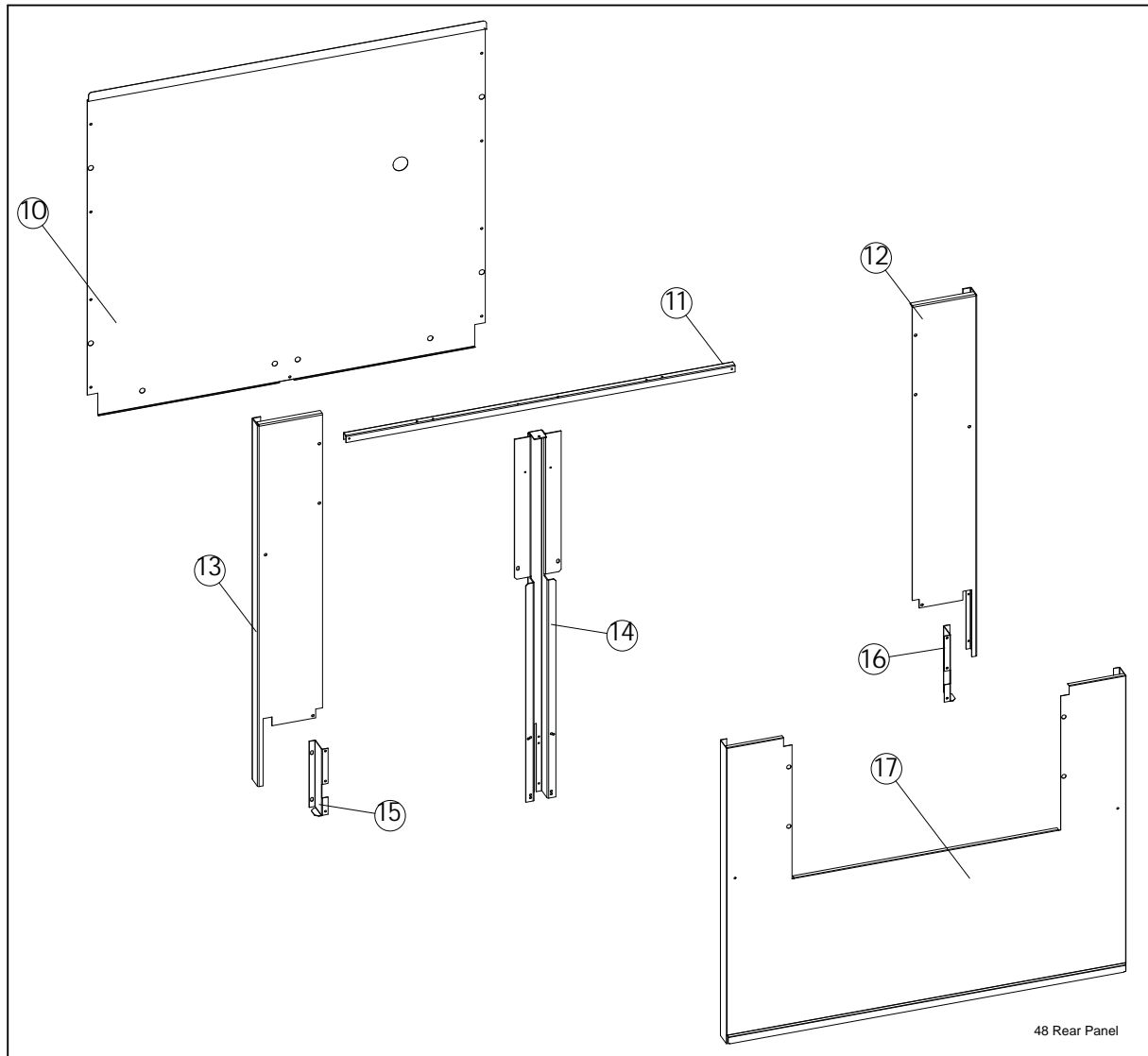


| ITEM | PART# | DESCRIPTION | QTY |
|------|---------|--|-----|
| 1 | 4525983 | GFIR 36" Standard Back | 1 |
| | 4525976 | GFIR 36" Standard Back - S/S | 1 |
| 2 | 4525957 | Upright Veneer Salamander - S/S | 2 |
| 3 | 4525932 | Upright GF Series Salamander - GALVANIZED | 2 |
| 4 | 4523226 | Salamander Support Left Hand - GALVANIZED | 1 |
| 5 | 4523227 | Salamander Support Right Hand - GALVANIZED | 1 |
| 6 | | Not available for this series. | |

* NOT ILLUSTRATED

RECOMMENDED STOCK PARTS

GARLAND PARTS IDENTIFICATION
GF Sentry Series Infra-Red Salamander Broiler
Range Mount Components to Install Salamander 48" Model

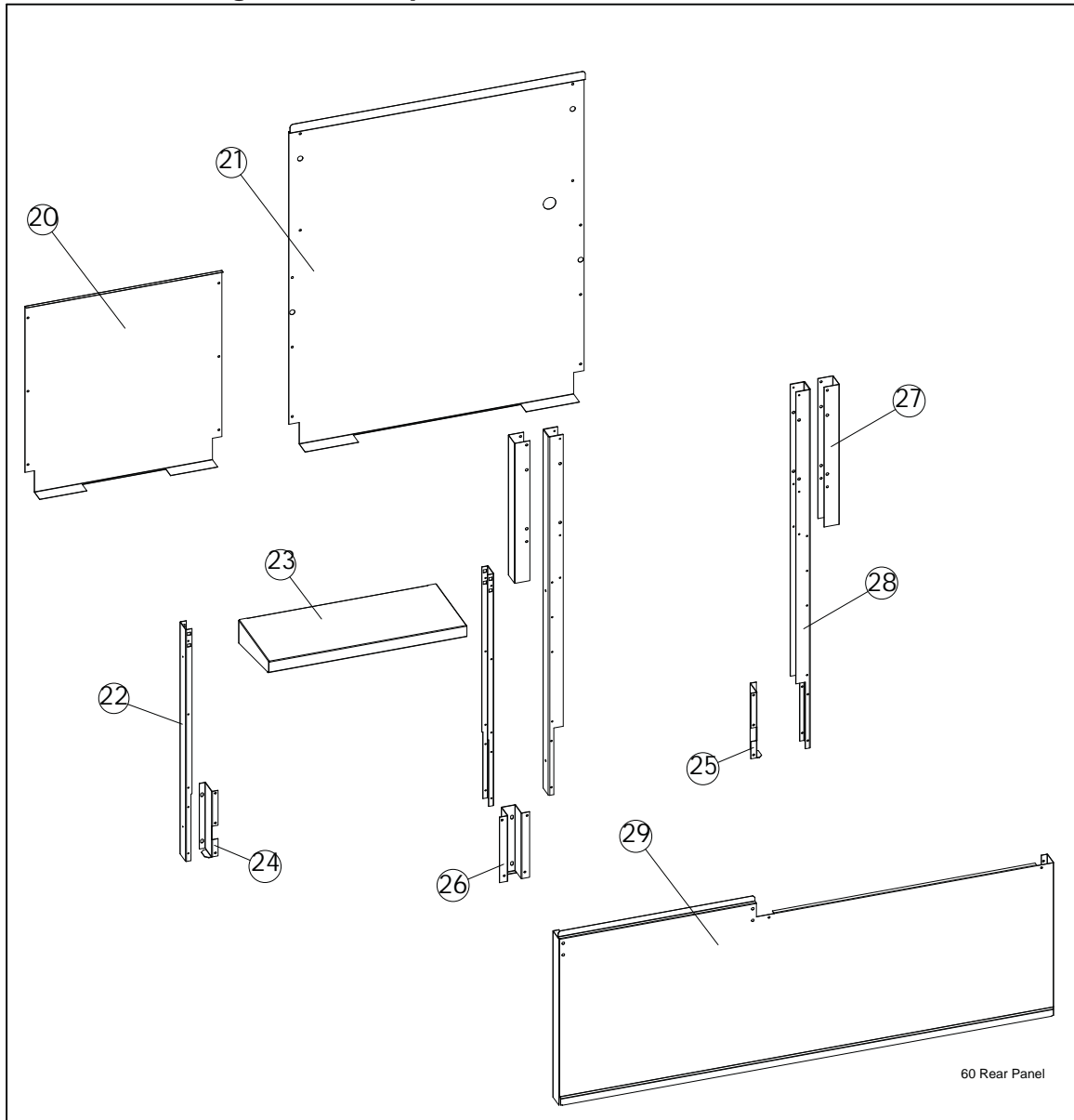


| ITEM | PART# | DESCRIPTION | QTY |
|------|---------|--|-----|
| 10 | 4525966 | Rear Panel GFIR48 - GALVANIZED | 1 |
| | 4525996 | GFIR 36" S/S Back | 1 |
| 11 | 4524055 | 48" Salamander Anti-Sway Bracket | 1 |
| 12 | 4525962 | Upright Right Hand GFIR48 - GALVANIZED | 1 |
| 13 | 4525963 | Upright Left Hand GFIR48 - GALVANIZED | 1 |
| 14 | 4525965 | Centre Support GFIR48 - GALVANIZED | 1 |
| 15 | 4523226 | Salamander Support Left Hand - GALVANIZED | 1 |
| 16 | 4523227 | Salamander Support Right Hand - GALVANIZED | 1 |
| 17 | 4525964 | Front Panel GFIR48 - S/S | 1 |

* NOT ILLUSTRATED

RECOMMENDED STOCK PARTS

GARLAND PARTS IDENTIFICATION
GF Sentry Series Infra-Red Salamander Broiler
Range Mount Components to Install Salamander 60" Model



| ITEM | PART# | DESCRIPTION | |
|------|---------|--|--|
| 20 | 4523914 | 24IN High Shelf Salamander Back Standard - GALVANIZED | |
| | 4523915 | 24IN High Shelf Salamander Back - S/S | |
| 21 | 4525983 | GFIR 36" Series Back - GALVANIZED | |
| | 4525976 | GFIR 36" Series Back S/S | |
| 22 | 4523112 | Upright High Shelf - GALVANIZED | |
| 23 | 4523293 | 24" SHELF S/S | |
| 24 | 4523226 | Salamander Support Left Hand - GALVANIZED | |
| 25 | 4523227 | Salamander Support Right Hand - GALVANIZED | |
| 26 | 4523282 | Salamander/High Shelf Support Bracket - Salamander Left Hand | |
| 27 | 4525957 | Upright Veneer Salamander - S/S | |
| 28 | 4525932 | Upright GF Series Salamander - GALVANIZED | |
| 29 | 4523265 | 60" HIGH SHELF FRONT PANEL SALAMANDER LEFT HAND - S/S | |
| | 4523900 | 60" HIGH SHELF FRONT PANEL SALAMANDER RIGHT HAND - S/S | |
| | 4523901 | 60" BROILER/GRIDDLE FRONT PANEL SALAMANDER LEFT HAND - S/S | |

* NOT ILLUSTRATED

RECOMMENDED STOCK PARTS

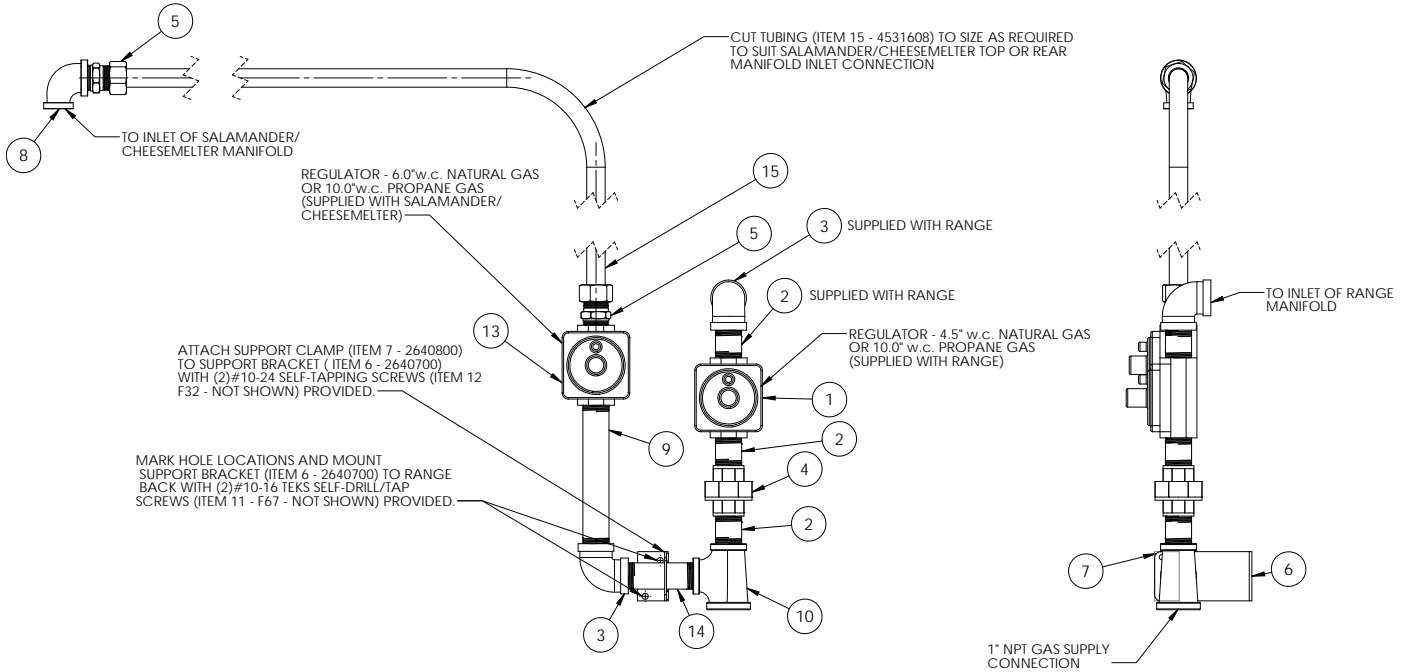
GARLAND PARTS IDENTIFICATION

GF Sentry Series Infra-Red Salamander Broiler

OPTIONAL INTER-CONNECT GAS KIT FOR 36" RANGE

The gas supply of the range mounted salamanders may be inter-connected with the supply of the range, so both units are supplied from a single gas connection. The supply gas piping should be a minimum of 1" (25mm) diameter to ensure enough gas capacity is available at the specified pressure to supply the total combined input rating of both appliances. The components comprising the optional inter-connect kit are shown below.

Optional Interconnect Gas Kit #4531606 - Version 1, Connecting to a 36in Range

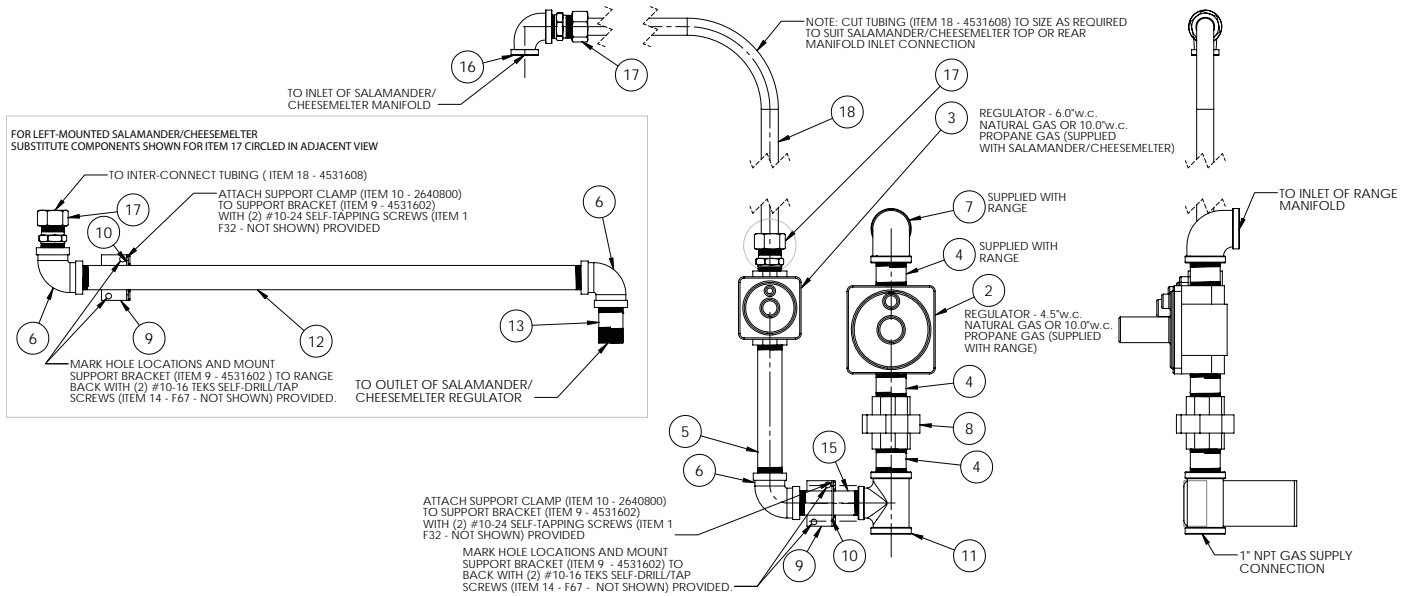


| ITEM | PART# | DESCRIPTION | QUANTITY 36" |
|------|-----------|--|--------------|
| 1 | 2127502 | 4.5" W.C 3/4" NPT, REGULATOR NATURAL GAS, SUPPLIED WITH RANGE | 1 |
| | 4525047 | 3/4" ISO 7-1, REGULATOR NATURAL GAS, SUPPLIED WITH RANGE | 1 |
| | 2127500 | 10" W.C 3/4" NPT, REGULATOR PROPANE GAS, SUPPLIED WITH RANGE | 1 |
| | 4525048 | 3/4" ISO 7-1, REGULATOR PROPANE GAS, SUPPLIED WITH RANGE | 1 |
| 2 | G01738-14 | NIPPLE, 3/4" NPT X 1/2" (ONE SUPPLIED WITH RANGE) | 3 |
| 3 | G01474-5 | ELBOW, 90DEG, 3/4" NPT (ONE SUPPLIED WITH RANGE) | 2 |
| 4 | G01963-1 | UNION, 3/4" NPT | 2 |
| 5 | 301300 | 3/4" CC X 3/4" NPT STRAIGHT FITTING | 2 |
| 6 | 2640700 | BRACKET, PIPE SUPPORT | 1 |
| 7 | 2640800 | CLAMP, PIPE SUPPORT BRACKET | 1 |
| 8 | G01474-9 | REDUCING ELBOW, 90DEG, 3/4" NPT X 1/2" NPT | 1 |
| 9 | G01738-5 | NIPPLE, 3/4" NPT X 6.5" | 1 |
| 10 | G03716-1 | REDUCING TEE, 3/4" NPT X 3/4" NPT X 1" | 1 |
| 11 | F67 | SCREW, #10-16 X 1/2" HEX, WASHER HEAD, TEKS SELF-DRILL/TAP (NOT SHOWN) | 2 |
| 12 | F32 | SCREW, #10-24 X 1/2" PAN HEAD, SELF-TAP, TYPE F (NOT SHOWN) | 2 |
| 13 | 2127503 | 6" W.C 3/4" NPT, REGULATOR NATURAL GAS, SUPPLIED WITH SALAMANDER/CHEESEMELTER | 1 |
| | 2127500 | 10" W.C 3/4" NPT, REGULATOR PROPANE GAS, SUPPLIED WITH SALAMANDER/CHEESEMELTER | 1 |
| 14 | G1738-11 | NIPPLE, 3/4" NPT X 3.5" | 1 |
| 15 | 4531608 | TUBING 3/4" | 1 |

GARLAND PARTS IDENTIFICATION

GF Sentry Series Infra-Red Salamander Broiler OPTIONAL INTER-CONNECT GAS KIT FOR 48"/60" RANGE

Optional Interconnect Gas Kit #4531606 - Version 2, Connecting to a 48in or 60in Range



| ITEM | PART# | DESCRIPTION | QUANTITY |
|------|------------|---|-----------|
| | | | 48" / 60" |
| 1 | F32 | SCREW, #10-24 X 1/2" PAN HEAD, SELF-TAP, TYPE F (NOT SHOWN) | 4 |
| 2 | 4522421 | 4.5"W.C 1"NPT, REGULATOR NATURAL GAS, SUPPLIED WITH RANGE | 1 |
| | 4525049 | 1" ISO 7-1, REGULATOR NATURAL GAS, SUPPLIED WITH RANGE | 1 |
| | 4522422 | 10"W.C 1"NPT, REGULATOR PROPANE GAS, SUPPLIED WITH RANGE | 1 |
| | 4525050 | 1" ISO 7-1, REGULATOR PROPANE GAS, SUPPLIED WITH RANGE | 1 |
| 3 | 2127503 | 6"W.C 3/4" NPT, REGULATOR NATURAL GAS, SUPPLIED WITH SALAMANDER/CHEESEMELTER | 1 |
| | 2127500 | 10"W.C 3/4" NPT, REGULATOR PROPANE GAS, SUPPLIED WITH SALAMANDER/CHEESEMELTER | 1 |
| 4 | 076029-204 | NIPPLE, 1" NPT X 2" (ONE SUPPLIED WITH RANGE) | 3 |
| 5 | G1738-5 | NIPPLE, 3/4" NPT X 6.5" | 1 |
| 6 | G01474-5 | ELBOW, 90DEG, 3/4" NPT | 3 |
| 7 | 076029-171 | ELBOW, 90DEG, 1" NPT (SUPPLIED WITH RANGE) | 1 |
| 8 | 4530189 | UNION, 1" NPT | 1 |
| 9 | 4531602 | BRACKET, PIPE SUPPORT 48/60 | 2 |
| 10 | 2640800 | CLAMP, PIPE SUPPORT BRACKET | 2 |
| 11 | 3012800 | REDUCING TEE, 1" NPT X 1" NPT X 3/4" | 1 |
| 12 | G01738-16 | NIPPLE, 3/4" NPT X 22.75" | 1 |
| 13 | G01738-14 | NIPPLE, 3/4" NPT X 2" | 1 |
| 14 | F67 | SCREW, #10-16 X 1/2" HEX, WASHER HEAD, TEKS SELF-DRILL/TAP (NOT SHOWN) | 4 |
| 15 | G01738-11 | NIPPLE, 3/4" NPT X 3.5" | 1 |
| 16 | G01474-9 | REDUCING ELBOW, 90DEG, 3/4" NPT X 1/2" NPT | 1 |
| 17 | 3013000 | 3/4"CC X 3/4" NPT STRAIGHT FITTING | 2 |
| 18 | 4531608 | TUBING 3/4" | 1 |

GARLAND PARTS IDENTIFICATION
GF Sentry Series Infra-Red Salamander Broiler

REVISION HISTORY (GFIR__M)

| REV | BY | PAGE/ITEM | NOTES | DATE |
|------------|-----------|------------------|---|-------------|
| 0 | HH | | NEW BOOK. MODIFIED G_GMD_PL_IRBROILER_GFIR. | DEC 23/15 |
| | | | | |
| | | | | |
| | | | | |
| | | | | |
| | | | | |
| | | | | |
| | | | | |



1-844-724-CARE • www.mtwkitchencare.com