



**SERVICE PARTS MANUAL**  
**GEM1306Air and MFI1506Air**  
**GEM1306Remote and MFI1506Remote**



14-1036 MK

Date 1/08/2018

---

This parts list contains the service parts available for the GEM-MFI Series icemakers listed below:

**GEM1306A=Air Cooled**

**MFI1506A=Air Cooled**

**GEM1306R=Remote Cooled**

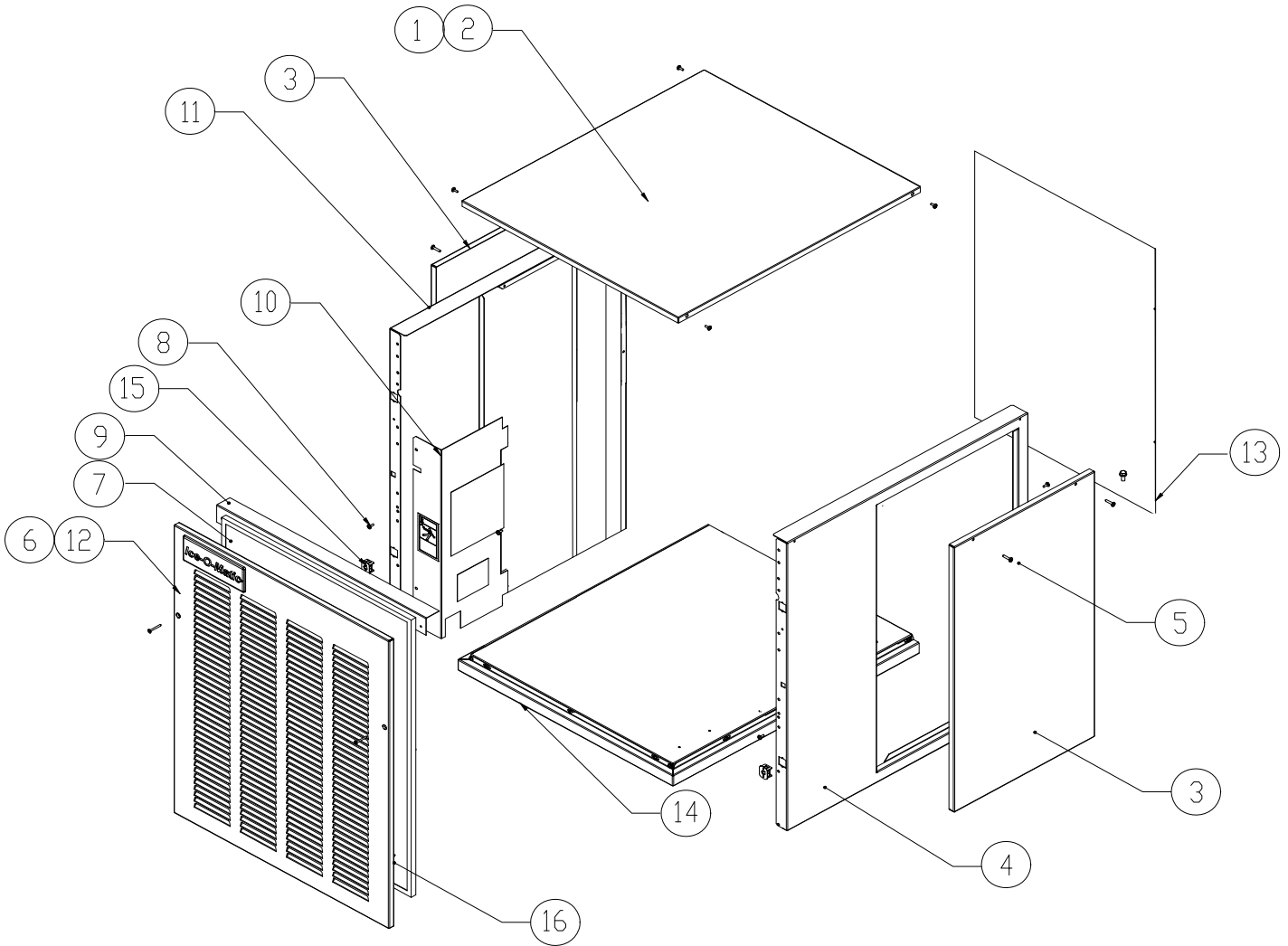
**MFI1506R=Remote Cooled**

Check the model number on the data plate and refer to the correct listing for the specific component.

Check carefully that the correct part is identified and ordered.

|                         |              |
|-------------------------|--------------|
| Table of Contents       | Page 1       |
| Cabinet Assembly        | Page 2       |
| Air Cooled              | Page 3 - 4   |
| Remote Cooled           | Page 5 - 6   |
| Down Chute/Water System | Page 7 - 8   |
| Control Box             | Page 9       |
| Gearmotor               | Page 10      |
| Evaporator              | Page 11 - 12 |

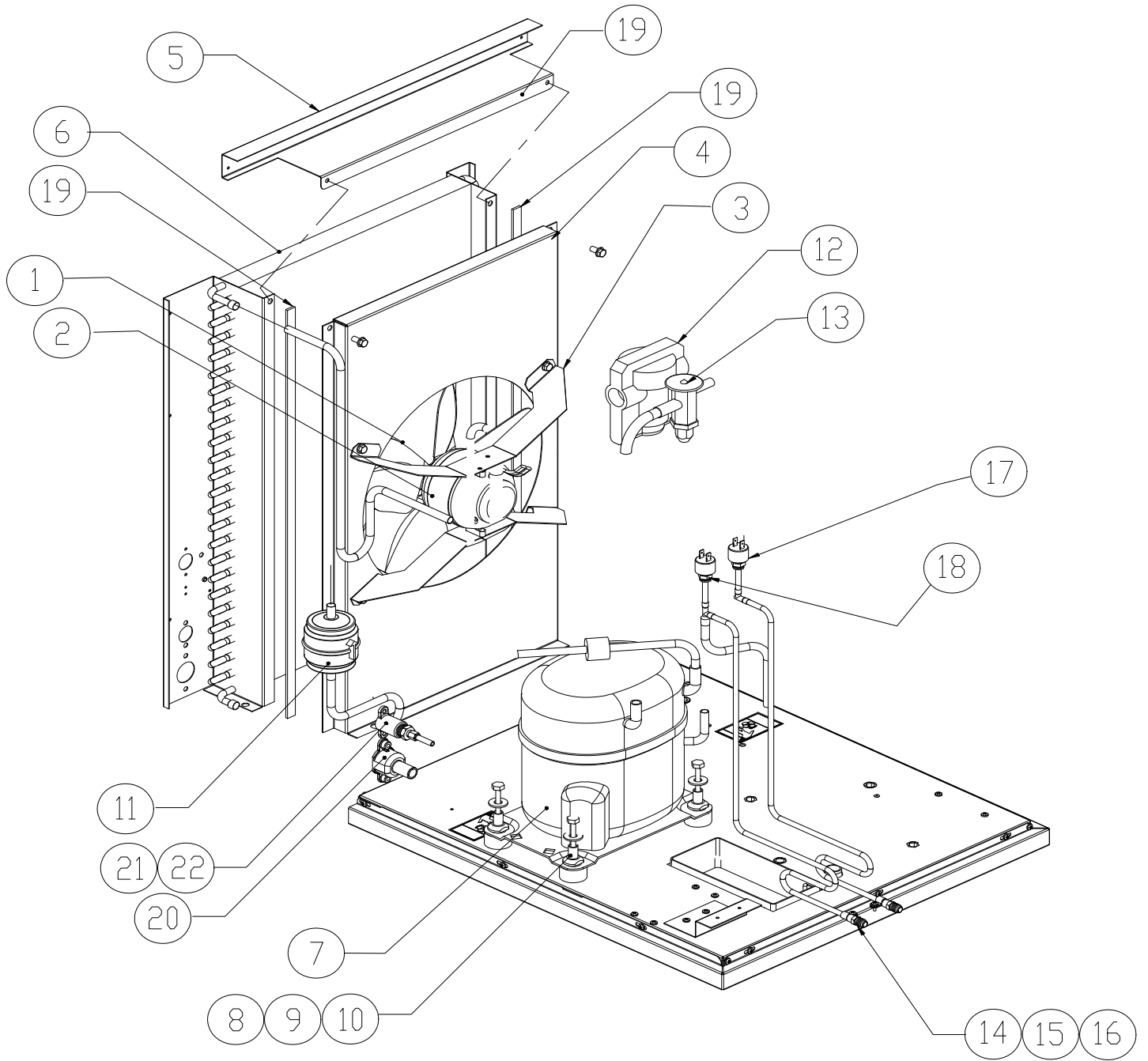
**Ice-O-Matic**  
**11100 East 45th Ave.**  
**Denver Co. 80239**  
**800-423-3367**



| Item No. | Model Number |            | MF1506A    | MF1506R    | Description       |
|----------|--------------|------------|------------|------------|-------------------|
|          | GEM1306A     | GEM1306R   |            |            |                   |
| 1        | 3021951-01   | 3021951-01 | 3021951-01 | 3021951-01 | Panel, Top        |
| 2        | 9031046-27   | 9031046-27 | 9031046-27 | 9031046-27 | Screw             |
| 3        | 3021953-01   | 3021953-01 | 3021953-01 | 3021953-01 | Panel, Service    |
| 4        | 3021952-01   | 3021952-01 | 3021952-01 | 3021952-01 | Panel, End, Right |
| 5        | 9031113-14   | 9031113-14 | 9031113-14 | 9031113-14 | Screw             |
| 6        | 2031515-01   | 2031519-01 | 2031515-01 | 2031519-01 | Front Panel       |
| 7        | 9131475-01   | NA         | 9131475-01 | NA         | Air Filter        |
| 8        | 9031046-27   | 9031046-27 | 9031046-27 | 9031046-27 | Screw             |
| 9        | 2021701-01   | 2021701-01 | 2021701-01 | 2021701-01 | Front Brace       |
| 10       | 3013391-01   | 3013391-01 | 3013391-01 | 3013391-01 | Control Box Cover |
| 11       | 3021950-01   | 3021950-01 | 3021950-01 | 3021950-01 | Panel, End, Left  |
| 12       | 9031045-07   | 9031045-07 | 9031045-07 | 9031045-07 | Screw             |
| 13       | NA           | 3013392-01 | NA         | 3013392-01 | Panel, Rear       |
| 14       | 2021699-01   | 2021699-01 | 2021699-01 | 2021699-01 | Base              |
| 15       | 9021112-01   | 9021112-01 | 9021112-01 | 9021112-01 | Cabinet Catch     |
| 16       | 9021121-01   | 9021121-01 | 9021121-01 | 9021121-01 | Strike            |

2031515-01 Louvered Front Panel

2031519-01 Solid Front Panel-No Louvers



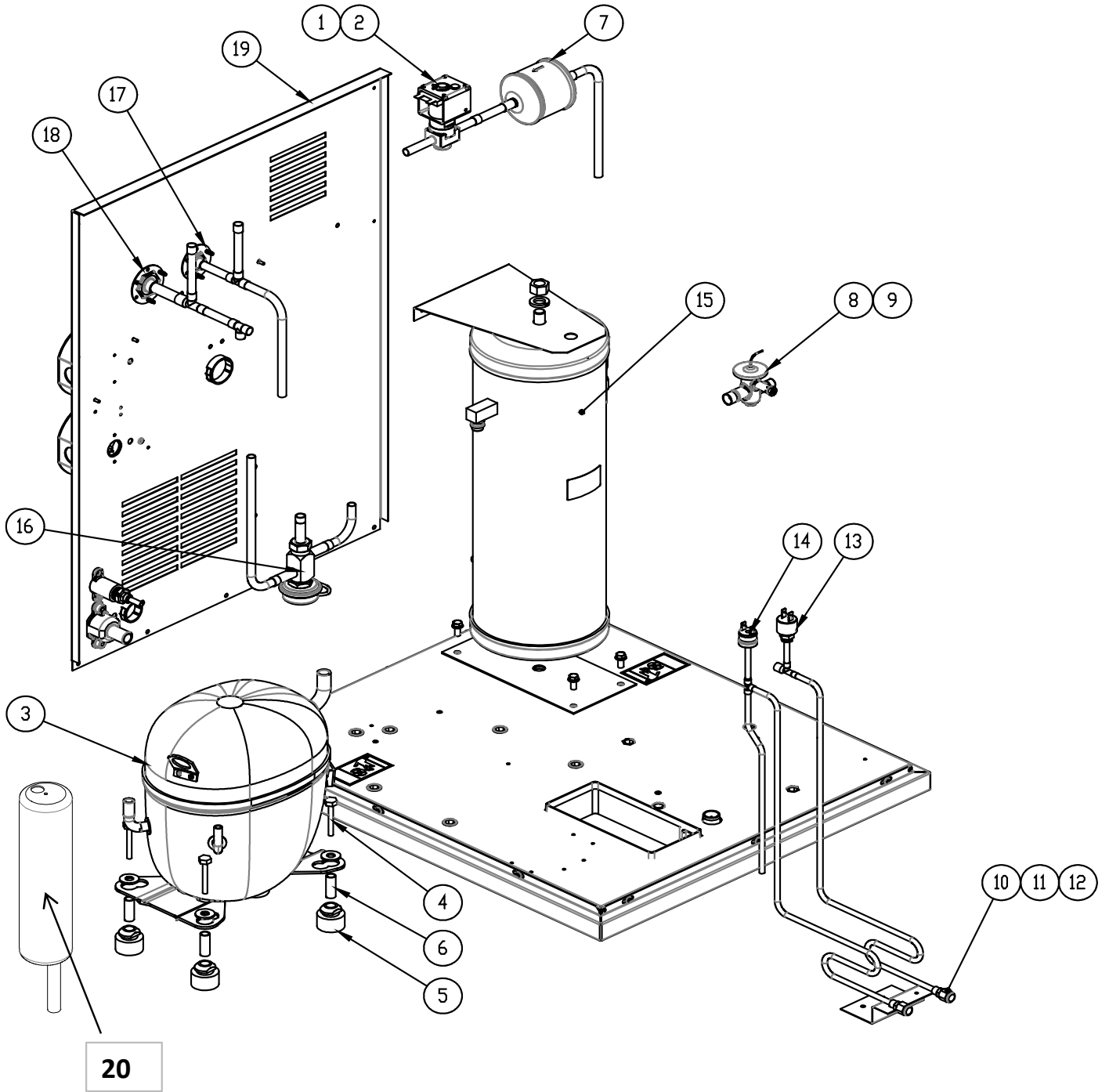
# GEM-MFI Series Service Parts

# Air Cooled

| Item | Model Number |  |            |                                   |
|------|--------------|--|------------|-----------------------------------|
| No.  | GEM1306A     |  | MFI1506A   | Description                       |
| 1    | 9131383-01   |  | 9131383-01 | Fan Blade                         |
| 2    | 9161125-01   |  | 9161125-01 | Fan Motor                         |
| 3    | 3013582-01   |  | 3013582-01 | Fan Bracket                       |
| 4    | 3013586-01   |  | 3013586-01 | Fan Shroud                        |
| 5    | 3013378-01   |  | 3013378-01 | Fan Shroud Cover                  |
| 6    | 9141138-01   |  | 9141138-01 | Air Condenser                     |
| 7    | 9181153-11   |  | 9181153-11 | Compressor                        |
| 8    | 9031001-41   |  | 9031001-41 | Compressor Bolt                   |
| 9    | 9181002-09   |  | 9181002-09 | Compressor Grommet                |
| 10   | 9181002-02   |  | 9181002-02 | Compressor Grommet Sleeve         |
| 11   | 9151163-03   |  | 9151163-03 | Drier                             |
| 12   | 9131143-02   |  | 9131143-02 | Expansion Valve Insulation        |
| 13   | 9151182-01   |  | 9151182-01 | Expansion Valve                   |
| 14   | 9091086-01   |  | 9091086-01 | Service Valve Body                |
| 15   | 9091086-02   |  | 9091086-02 | Service Valve Core                |
| 16   | 9091086-03   |  | 9091086-03 | Service Valve Cap                 |
| 17   | 9041091-01   |  | 9041091-01 | Hi Pressure Cut Out               |
| 18   | 9041102-01   |  | 9041102-01 | Low Pressure Cut Out              |
| 19   | 6081004-07   |  | 6081004-07 | Gasket Strip, Flat 4 Ft. Required |
| 20   | 9091140-01   |  | 9091140-01 | Drain Fitting                     |
| 21   | 9091074-01   |  | 9091074-01 | Drop Adapter                      |
| 22   | 9091083-01   |  | 9091083-01 | Water Inlet Fitting               |

## Compressor and Starting Components

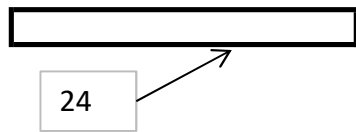
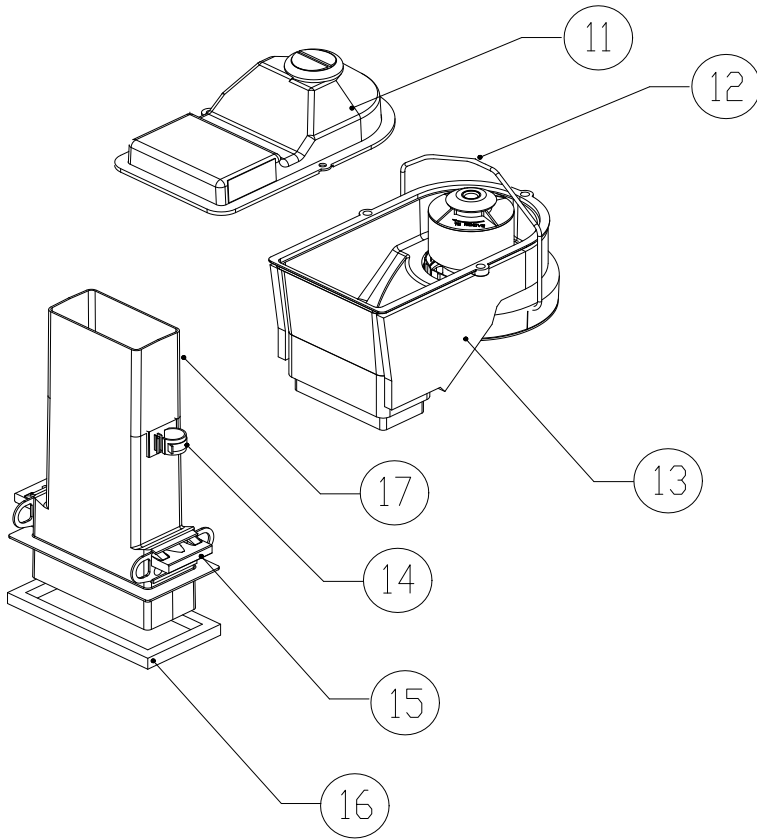
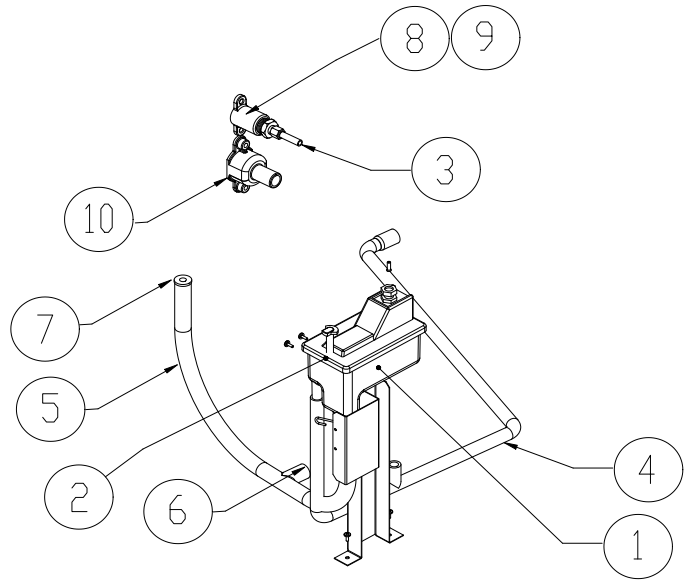
| Item | Model Number |  |            |                  |
|------|--------------|--|------------|------------------|
| No.  | GEM1306A     |  | MFI1506A   | Description      |
| 1    | 9181153-11   |  | 9181153-11 | Compressor Kit   |
| 2    | 9181009-17   |  | 9181009-17 | Run Capacitor    |
| 3    | 9181003-52   |  | 9181003-52 | Start Capacitor  |
| 4    | 9181010-04   |  | 9181010-04 | Compressor Relay |
| 5    | Internal     |  | Internal   | Overload         |



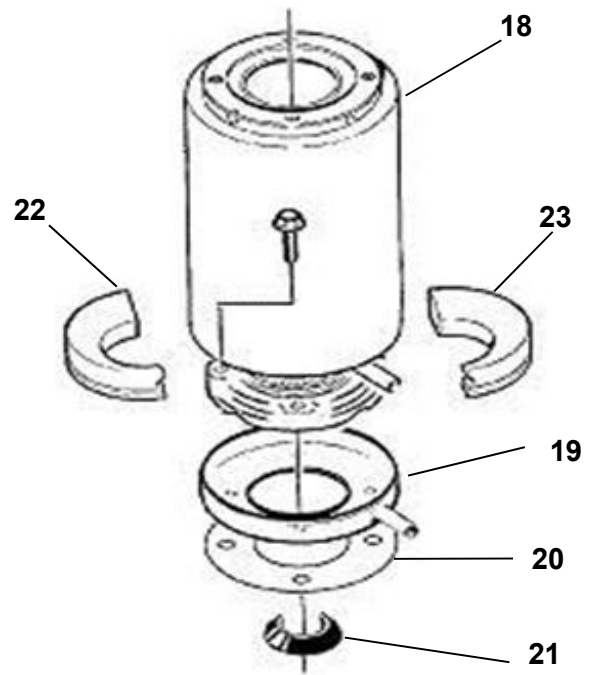
| Item No. | Model Number |            |  |            | Description                 |
|----------|--------------|------------|--|------------|-----------------------------|
|          |              | GEM1306R   |  | MFI1256R   |                             |
| 1        |              | 9151123-01 |  | 9151123-01 | Liquid Line Solenoid Body   |
| 2        |              | 9151123-04 |  | 9151123-04 | Liquid Line Solenoid Coil   |
| 3        |              | 9181153-11 |  | 9181153-11 | Compressor                  |
| 4        |              | 9031001-41 |  | 9031001-41 | Compressor Bolt             |
| 5        |              | 9181002-09 |  | 9181002-09 | Compressor Grommet          |
| 6        |              | 9181002-02 |  | 9181002-02 | Compressor Grommet Sleeve   |
| 7        |              | 9151163-03 |  | 9151163-03 | Drier                       |
| 8        |              | 9131143-02 |  | 9131143-02 | Expansion Valve Insulation  |
| 9        |              | 9151182-01 |  | 9151182-01 | Expansion Valve             |
| 10       |              | 9091086-01 |  | 9091086-01 | Service Valve Body          |
| 11       |              | 9091086-02 |  | 9091086-02 | Service Valve Core          |
| 12       |              | 9091086-03 |  | 9091086-03 | Service Valve Cap           |
| 13       |              | 9041091-01 |  | 9041091-01 | Hi Pressure Cut Out         |
| 14       |              | 9041102-01 |  | 9041102-01 | Low Pressure Cut Out        |
| 15       |              | 9151159-01 |  | 9151159-01 | Receiver                    |
| 16       |              | 9151027-05 |  | 9151027-05 | Head Pressure Control Valve |
| 17       |              | 9091001-11 |  | 9091001-11 | Quick Connect Fitting 3/8   |
| 18       |              | 9091001-12 |  | 9091001-12 | Quick Connect Fitting 1/2   |
| 19       |              | 3013392-01 |  | 3013392-01 | Rear Panel                  |
| 20       |              | 9151164-01 |  | 9151164-01 | Accumulator                 |

**Compressor and Starting Components**

| Item No. | Model Number |            |  |            | Description      |
|----------|--------------|------------|--|------------|------------------|
|          |              | GEM1306R   |  | MFI1256R   |                  |
| 1        |              | 9181153-11 |  | 9181153-11 | Compressor Kit   |
| 2        |              | 9181009-17 |  | 9181009-17 | Run Capacitor    |
| 3        |              | 9181003-52 |  | 9181003-52 | Start Capacitor  |
| 4        |              | 9181010-04 |  | 9181010-04 | Compressor Relay |
| 5        |              | Internal   |  | Internal   | Overload         |

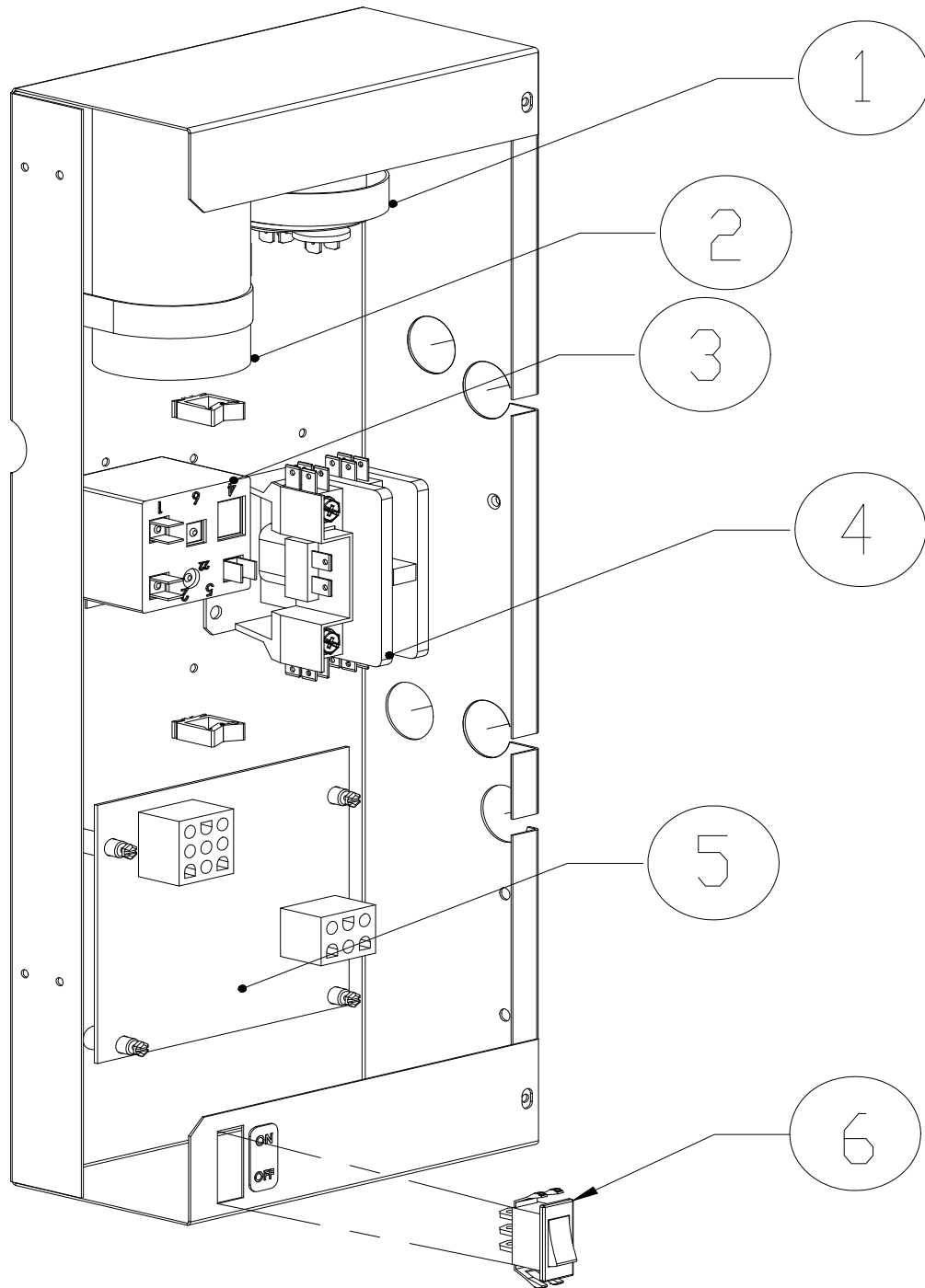


#24 wraps around evap, replacing #22 and #23

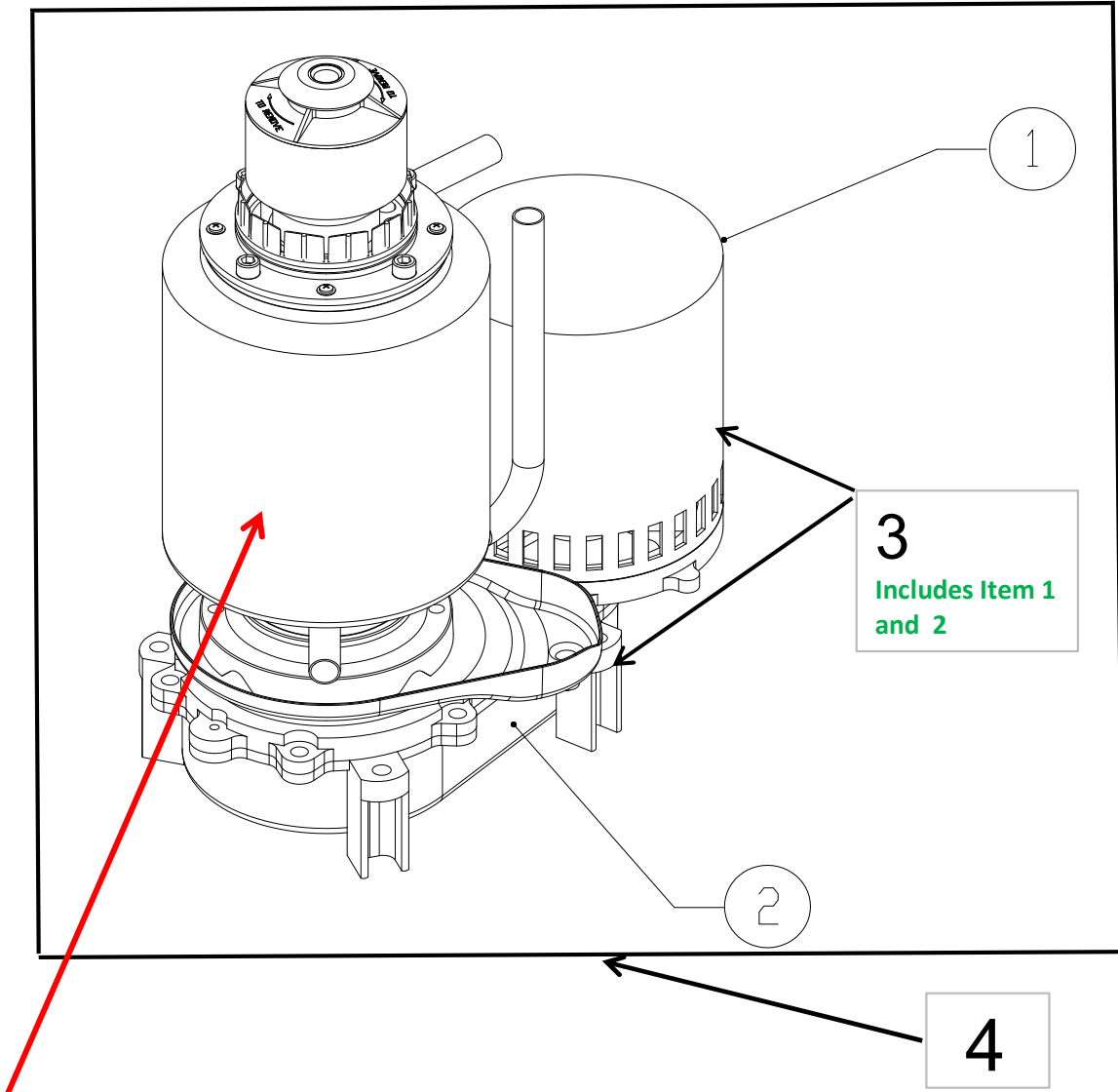




| Item No. | Model Number |             | MFI1506A    | MFI1506R    | Description                    |
|----------|--------------|-------------|-------------|-------------|--------------------------------|
|          | GEM1306A     | GEM1306R    |             |             |                                |
| 1        | 9131481-01   | 9131481-01  | 9131481-01  | 9131481-01  | Float Assembly                 |
| 2        | 9101334-01   | 9101334-01  | 9101334-01  | 9101334-01  | Probe-Conductivity             |
| 3        | 3032898-40   | 3032898-40  | 3032898-40  | 3032898-40  | 1/4 OD Polyethylene Tube (40") |
| 4        | 9051606-01   | 9051606-01  | 9051606-01  | 9051606-01  | Tube, Water Drain              |
| 5        | 9051619-01   | 9051619-01  | 9051619-01  | 9051619-01  | Tube, Evaporator Water Inlet   |
| 6        | 9021113-01   | 9021113-01  | 9021113-01  | 9021113-01  | Clamp                          |
| 7        | 9051610-01   | 9051610-01  | 9051610-01  | 9051610-01  | Plug                           |
| 8        | 9091074-01   | 9091074-01  | 9091074-01  | 9091074-01  | Drop Adapter Fitting           |
| 9        | 9091083-01   | 9091083-01  | 9091083-01  | 9091083-01  | Water Inlet Fitting            |
| 10       | 9091140-01   | 9091140-01  | 9091140-01  | 9091140-01  | Drain Fitting                  |
| 11       | 9051602-01   | 9051602-01  | 9051602-01  | 9051602-01  | Cover-Ice Chute                |
| 12       | 9131494-01   | 9131494-01  | 9131494-01  | 9131494-01  | Clamp-Ice Chute                |
| 13       | 9131495-01   | 9131495-01  | 9131495-01  | 9131495-01  | Ice Chute and Foam Assembly    |
| 14       | 9021116-01   | 9021116-01  | 9021116-01  | 9021116-01  | Clip-Hose                      |
| 15       | 1051166-01   | 1051166-01  | 1051166-01  | 1051166-01  | Bin Control Assembly Set of 2  |
| 16       | 9051614-01   | 9051614-01  | 9051614-01  | 9051614-01  | Gasket, Ice Chute              |
| 17       | 9051601-02   | 9051601-02  | 9051601-02  | 9051601-02  | Ice Chute, Lower               |
| 18       | 9151169-01   | 9151169-01  | 9151169-01  | 9151169-01  | Evaporator                     |
| 19       | 9051632-01   | 9051632-01  | 9051632-01  | 9051632-01  | Drip Pan                       |
| 20       | 9131486-01   | 9131486-01  | 9131486-01  | 9131486-01  | Drip Pan Gasket                |
| 21       | 9051611-01   | 9051611-01  | 9051611-01  | 9051611-01  | Water Shed                     |
| 22       | 1011380-178  | 1011380-178 | 1011380-178 | 1011380-178 | Insulation NLA-See Item 24     |
| 23       | 1011380-179  | 1011380-179 | 1011380-179 | 1011380-179 | Insulation NLA-See Item 24     |
| 24       | 9021140-01   | 9021140-01  | 9021140-01  | 9021140-01  | Insulation Replaces 22 and 23  |



| Item No. | Model Number |            | MFI1506A   | MFI1506R   | Description      |
|----------|--------------|------------|------------|------------|------------------|
|          | GEM1306A     | GEM1306R   |            |            |                  |
| 1        | See Page 4   | See Page 4 | See Page 4 | See Page 4 | Run Capacitor    |
| 2        | See Page 4   | See Page 4 | See Page 4 | See Page 4 | Start Capacitor  |
| 3        | See Page 4   | See Page 4 | See Page 4 | See Page 4 | Compressor Relay |
| 4        | 9101002-06   | 9101002-06 | 9101002-06 | 9101002-06 | Contactors       |
| 5        | 9101335-01   | 9101335-01 | 9101335-01 | 9101335-01 | Board            |
| 6        | 9101139-04   | 9101139-04 | 9101139-04 | 9101139-04 | Switch           |

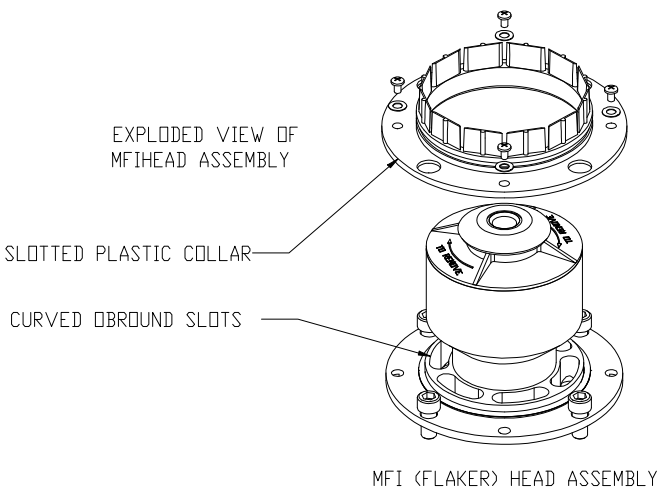
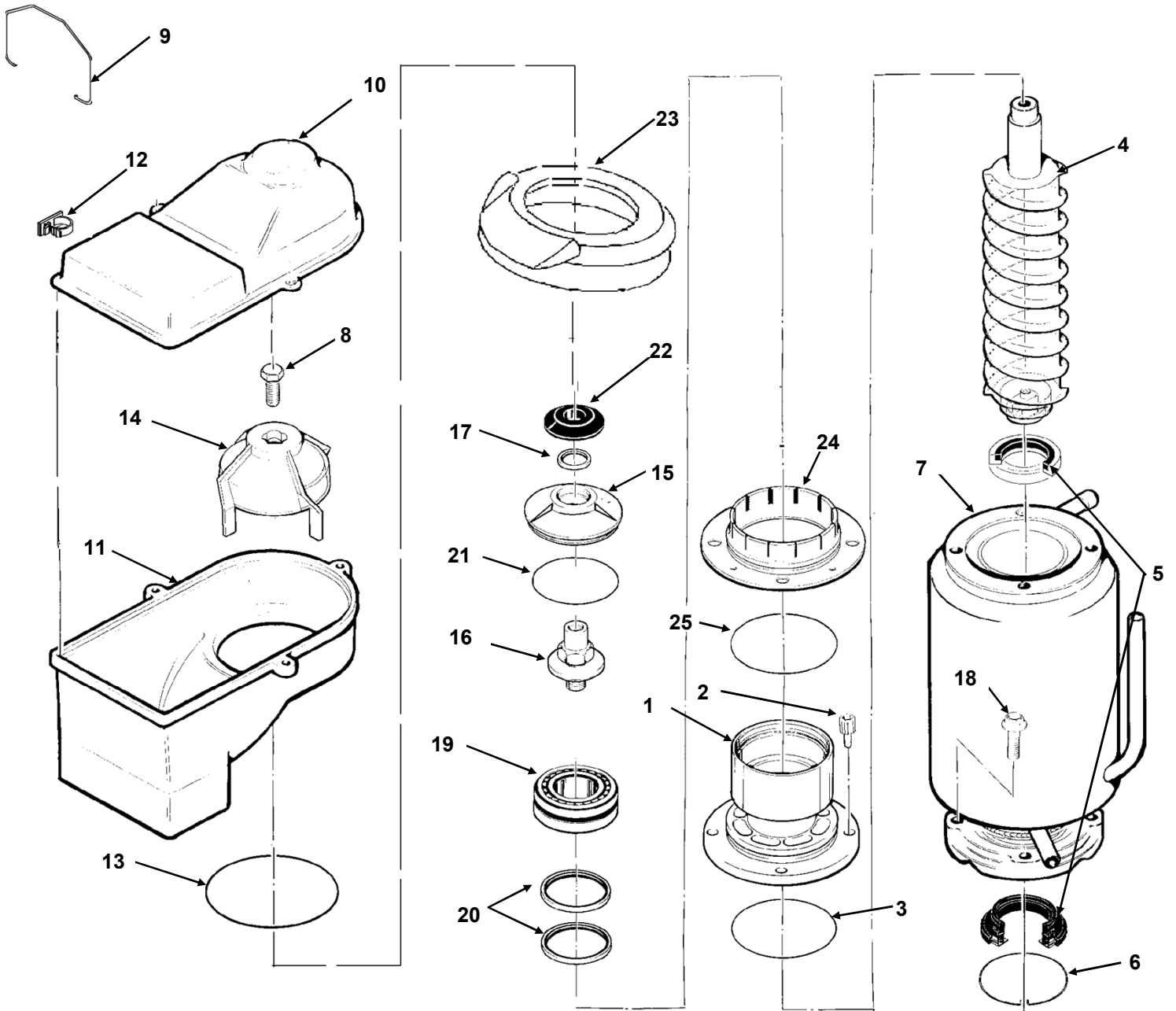


The Evaporator IS NOT AVAILABLE AS AN ASSEMBLY, INDIVIDUAL COMPONENTS MUST BE ORDERED

\*Note: Complete Assembly includes Drive Motor, GearBox Assembly and Evaporator Assembly

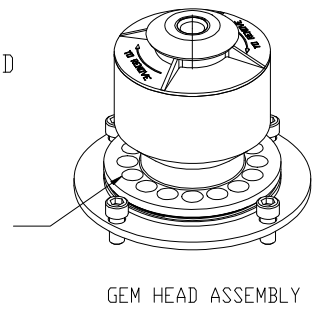
| Item No. | Model Number |            |            |            | Description               |
|----------|--------------|------------|------------|------------|---------------------------|
|          | GEM1306A     | GEM1306R   | MFI1506A   | MFI1506R   |                           |
| 1        | 9161140-01   | 9161140-01 | 9161140-01 | 9161140-01 | Drive Motor Only          |
| 2        | 9161141-01   | 9161141-01 | 9161141-01 | 9161141-01 | Gear Box Assembly Only    |
| 3        | 9161126-01   | 9161126-01 | 9161126-01 | 9161126-01 | Drive Motor-Gear Box Assy |
| 4        | 9131496-06   | 9131496-06 | 9131496-05 | 9131496-05 | Complete Assembly*        |

| Lubricants |  |            |                      |
|------------|--|------------|----------------------|
|            |  | 6051073-01 | Gear Box Lubricant   |
|            |  | 9131560-01 | Grease Needle        |
|            |  | 6051062-01 | Upper Bearing Grease |



NOTE DIFFERENCE BETWEEN MFI HEAD ASSEMBLY AND GEM HEAD ASSEMBLY

ROUND EXTRUSION HOLES WITH NO SLOTTED PLASTIC COLLAR



| Item No. | Model Number |             | MFI1506A    | MFI1506R    | Description   |
|----------|--------------|-------------|-------------|-------------|---|
|          | GEM1306A     | GEM1306R    |             |             |   |
| 1        | 1051220-01   | 1051220-01  | 1051221-01  | 1051221-01  | <b>Breaker (Includes items 3,15,17,19,21,22,25)</b> |
| 2        | 9031169-02   | 9031169-02  | 9031169-02  | 9031169-02  | Socket Head Screw                                   |
| 3        | 9051636-01   | 9051636-01  | 9051636-01  | 9051636-01  | O-Ring  |
| 4        | 9151196-01   | 9151196-01  | 9151196-01  | 9151196-01  | Auger   |
| 5        | 9021142-01   | 9021142-01  | 9021142-01  | 9021142-01  | Water Seal  |
| 6        | 9021141-01   | 9021141-01  | 9021141-01  | 9021141-01  | Ring, Water Seal                                    |
| 7        | 9151169-01   | 9151169-01  | 9151169-01  | 9151169-01  | Evaporator-Barrel Only                              |
| 8        | 9031001-42   | 9031001-42  | 9031001-42  | 9031001-42  | Hex Cap Screw                                       |
| 9        | 9131494-01   | 9131494-01  | 9131494-01  | 9131494-01  | Bail Clamp  |
| 10       | 9051602-01   | 9051602-01  | 9051602-01  | 9051602-01  | Ice Chute Cover                                     |
| 11       | 9131495-01   | 9131495-01  | 9131495-01  | 9131495-01  | Ice Chute Body with Insulation                      |
| 12       | 9021116-01   | 9021116-01  | 9021116-01  | 9021116-01  | Drain Hose Clip                                     |
| 13       | 9051634-01   | 9051634-01  | 9051634-01  | 9051634-01  | O-Ring  |
| 14       | 9051603-01   | 9051603-01  | 9051603-01  | 9051603-01  | Ice Sweep   |
| 15       | 9151171-01   | 9151171-01  | 9151171-01  | 9151171-01  | Breaker Cover                                       |
| 16       | 9151168-01   | 9151168-01  | 9151168-01  | 9151168-01  | Auger Stud  |
| 17       | 91210504-01  | 91210504-01 | 91210504-01 | 91210504-01 | Lip Seal  |
| 18       | 9031001-42   | 9031001-42  | 9031001-42  | 9031001-42  | Cap Screw   |
| 19       | 9121052-01   | 9121052-01  | 9121052-01  | 9121052-01  | Bearing   |
| 20       | 9121053-01   | 9121053-01  | 9121053-01  | 9121053-01  | Lip Seal  |
| 21       | 9051635-01   | 9051635-01  | 9051635-01  | 9051635-01  | O-Ring  |
| 22       | 9051640-01   | 9051640-01  | 9051640-01  | 9051640-01  | Water Shed  |
| 23       | 9051613-02   | 9051613-02  | 9051613-01  | 9051613-01  | Insulation Collar                                   |
| 24       | N/A          | N/A         | 9051638-01  | 9051638-01  | Slotted collar                                      |
| 25       | N/A          | N/A         | 9051637-01  | 9051637-01  | O-Ring  |

**Note: Reference Page 10 for Lubricant and Grease Needle**