



# GEMINI® INTELLIFRESH™ COFFEE BREWING SYSTEMS

MODELS: GEMTIF, GEM3IF, GEM5IF



## Perfect Heat, Perfect Timing, Perfect Brew.

**Brew the Perfect Cup Now. Serve the Perfect Cup Later.** Brew and hold your coffee at the perfect temperature for as long as you want.

**IntelliFresh™ remembers so you don't have to.** Once you press brew, your pre-programmed freshness requirements and desired warming temperature are automatically set. IntelliFresh™ Satellite Servers are smart. They remember these settings — not only while at the brewer, but at the remote serving stand too. The exclusive design envelops the satellite vessel with gentle, digital controlled warmth, so the last cup you serve will always taste as fresh as the first. The Gold Cup Series™ Gemini® IntelliFresh™ proves that high-end brewing systems don't have to be costly and complex to serve perfect coffee.

ITEM NO

PROJECT

DATE

### FEATURES AT A GLANCE

**INTELLIFRESH™ Technology** – Continuously monitors and holds temperature by gently adding heat to preserve coffee flavor.

- **LED notification of freshness timing.**
- **Gold Cup Series™** – Digital Control Module provides precise control over all aspects of brewing: time, temperature, volume plus specialty coffee needs from pre-infusion to pulse- brewing to water bypass.
- **Pre-set, one-touch Global Recipes** – Based on coffee type, grind and weight. Simplifies profile setting for gourmet results every time.
- **Industry's most effective mineral tolerant design**  
Patented fast-wetting AFS Srayhead  
Non-metallic water level probe  
Non-immersed water temperature sensor
- **Encapsulated Control Board** – Protects against steam, water and impact.
- **Field selectable for ½, 1 or 1.5 gal. batch brewing.**



### INTELLIFRESH™ SATELLITE SERVERS AND WARMERS

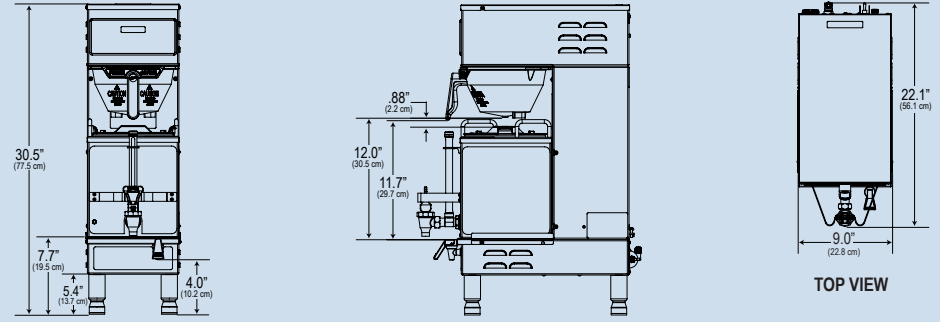
- **Engineered for easy maintenance** – smart, dishwasher tolerant design. No foam or fiber insulation.
- **Temperature can be set thru the digital control board to high, medium or low to preserve peak coffee freshness** – Factory set to 182°. Quality timer is set to 2 hours.



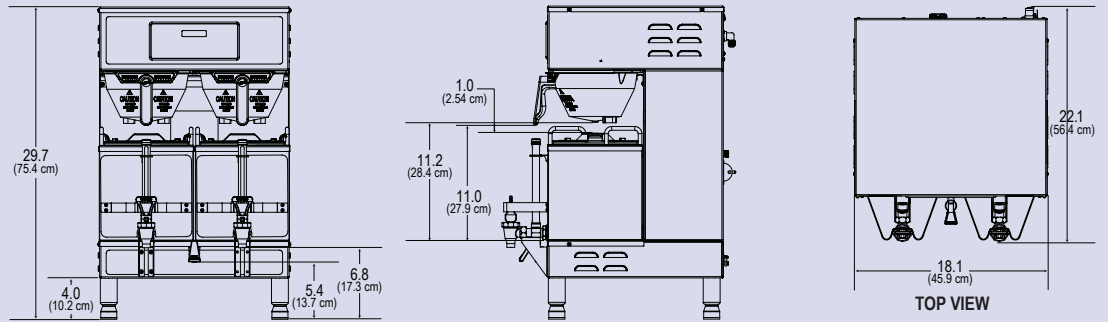
GEM3IF & GEM5IF (Left)

GEM5IF (Right)

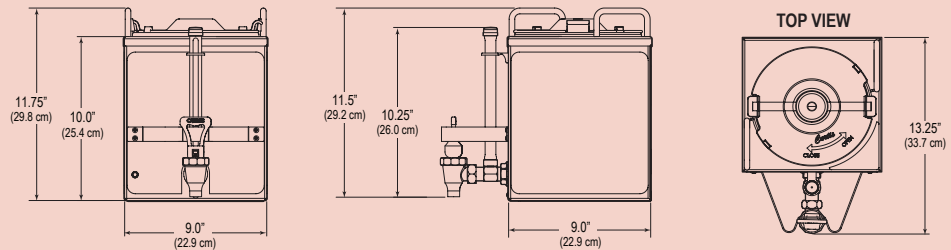
# GEMSIF



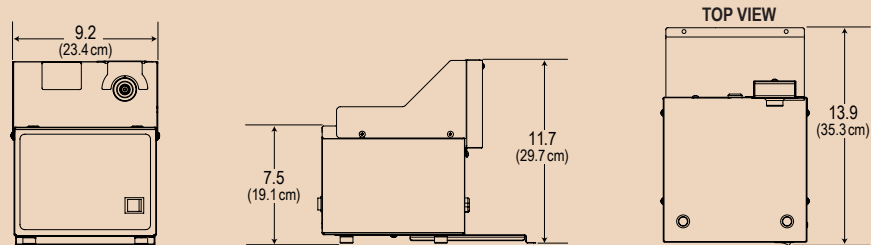
# GEMTIF



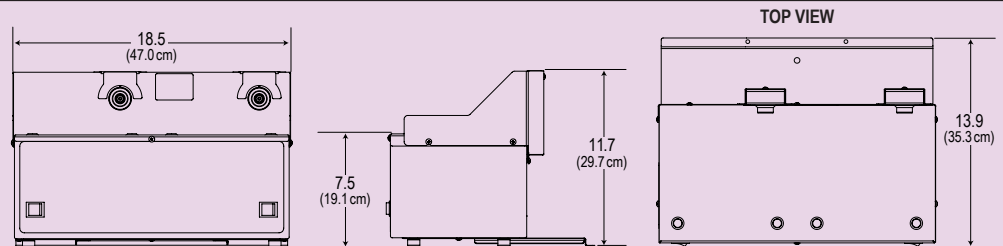
# GEM3IF



# GEM5IF



# GEM5IFT



Specifications	Brew Heads	Batch Brewing Selections	Finished Brewing Capacity	Dimensions (HxWxD)	Voltage	Power Requirements	Water Source	Ship Weight (lbs.)	Cube (cu. ft)
<b>GEMSIF</b>	1	3	1.5 gal.	30.5" x 9.0" x 22.1"	220V 1PH 3W + G*	4300W 19.5A**	3/8" Flare	59	4.8
<b>GEMSIF (Dual Voltage)</b>	1	3	1.5 gal.	30.5" x 9.0" x 22.1"	120/220V 1PH 2/3W + G*	1800W/3300W 12.7/15A**	3/8" Flare	59	4.8
<b>GEMTIF</b>	2	6	3 gal. (1.5 per side)	30.5" x 18.1" x 22.1"	220V 1PH 3W + G*	5200W/7600W 23.6A/34.5A**	3/8" Flare	85	8.6
<b>GEM3IF Satellite</b>	N/A	N/A	1.5 gal.	9" x 11.7" x 13.5"	N/A	N/A	N/A	11	1.23
<b>GEM5IF Stand</b>	N/A	N/A	N/A	11.7" x 9.2" x 13.9"	120V/60Hz	71W/59A	N/A	8	2.16
<b>GEM5IFT Stand</b>	N/A	N/A	N/A	11.7" x 18.5" x 13.9"	120V/60Hz	142W/1.18A	N/A	14	2.8

\* Optional 220VAC/3 Phase - Specify 3 Wire or 4 Wire Plus Ground.  
 \*\* Field convertible to higher wattage. Export Voltage Available - contact factory.



**WILBUR CURTIS COMPANY, INC.**  
 6913 Acco Street, Montebello, CA 90640-5403  
 Telephone: 800-421-6150 · 323-837-2300  
 Fax: 323-837-2406  
 www.wilburcurtis.com

