



MODEL GL-X PARTS MANUAL

Rev. 1.04



CMA DISHMACHINES
12700 KNOTT AVENUE
GARDEN GROVE, CALIFORNIA 92841

800-854-6417

FAX 714-895-2141

www.cmadishmachines.com

TABLE OF CONTENTS

MODEL CMA-GL-X

1. PARTS MANUAL	3
1.1. INITIAL PARTS KIT (P/N 4001.00)	3
1.2. OPTIONAL SANI ALARM	4
1.3. EXPLODED VIEW DRAWINGS.....	5
1.3.1. Cabinet Assembly	5
1.3.2. GLX Door Assembly	6
1.3.3. Spray System Assembly.....	7
1.3.4. S/S Pump Assembly (Effective August 2009)	8
1.3.5. Pump Assembly.....	9
1.3.6. Plumbing System Assembly (Effective June 2013).....	10
1.3.7. Plumbing System Assembly.....	11
1.3.8. Drain System Assembly.....	12
1.3.9. Control Box	13
1.3.10. Power Box	14
1.3.11. Peristaltic Pump Assembly	15
1.3.12. Drain Valve	16
1.3.13. Drain Valve (Effective January 2011)	17
1.3.14. GLX Heater Assembly.....	18

1. Parts Manual

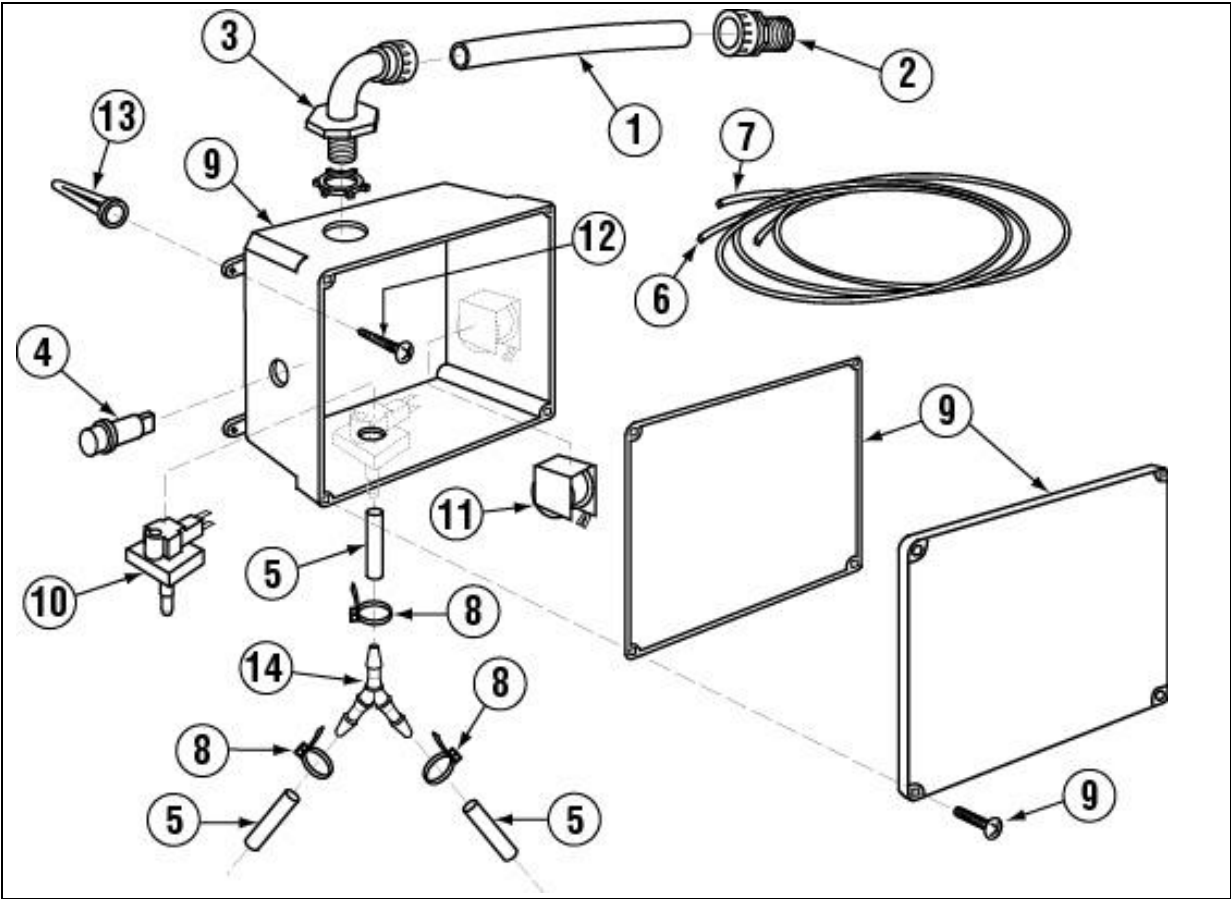
1.1. Initial Parts Kit (P/N 4001.00)

P/N	DESCRIPTION	Qty
00200.10	Pump Assy, 110/220V 60 Hz, Open	1
00206.30	Pump Seal Kit	1
00208.40	Slip Joint Nut Gasket	1
00304.03	Spray Arm B GL-X	1
00308.50	Spray Arm End Plug SS	1
00404.82	Motor Contactor Relay	1
00411.00	Micro Switch	1
00415.00	Peristaltic Pump Assembly, 120V/60Hz	1
00421.40	Fill/Start Rocker Switch	1
00425.51	Chemical Tubing Blue	50 ft.
00425.53	Chemical Tubing Red	50 ft.
00425.54	Chemical Tubing White	50 ft.
00458.00	Squeeze Tube, Black (Detergent)	1
00501.00	Timer Motor, 2-Minute	1
00556.10	Reed Switch, ISI	1
00715.00	1/2 Ball Check Valve	1
02257.00	Squeeze Tube, 8", Silicone	1
02257.30	Squeeze Tube, 30"	1
03415.00	Chemical Tube Bulkhead	1
03415.60	Chemical Bulkhead (Teflon) Assy	1
03480.00	Drain Rocker Switch	1
03604.30	Dema Valve Repair Kit 3/8", 1/2" & 3/4	1
04110.00	SS L1-C/L-1X Drain Screen	1
04113.00	GL-X Drain Valve, 120V	1
04303.00	GL-X Spray Arm Bearing	1
04305.10	Red Silicone Gasket, 1/16 Thick	1
04517.15	Door Stop (Parallel)	1

NOTE: CMA recommends that the initial parts kit be kept on hand as a back up supply of critical parts in the event your machine should require emergency service. All the parts included in this kit are unique to the GL-X glasswasher.

1.2. Optional Sani Alarm

Part Number 12508.00



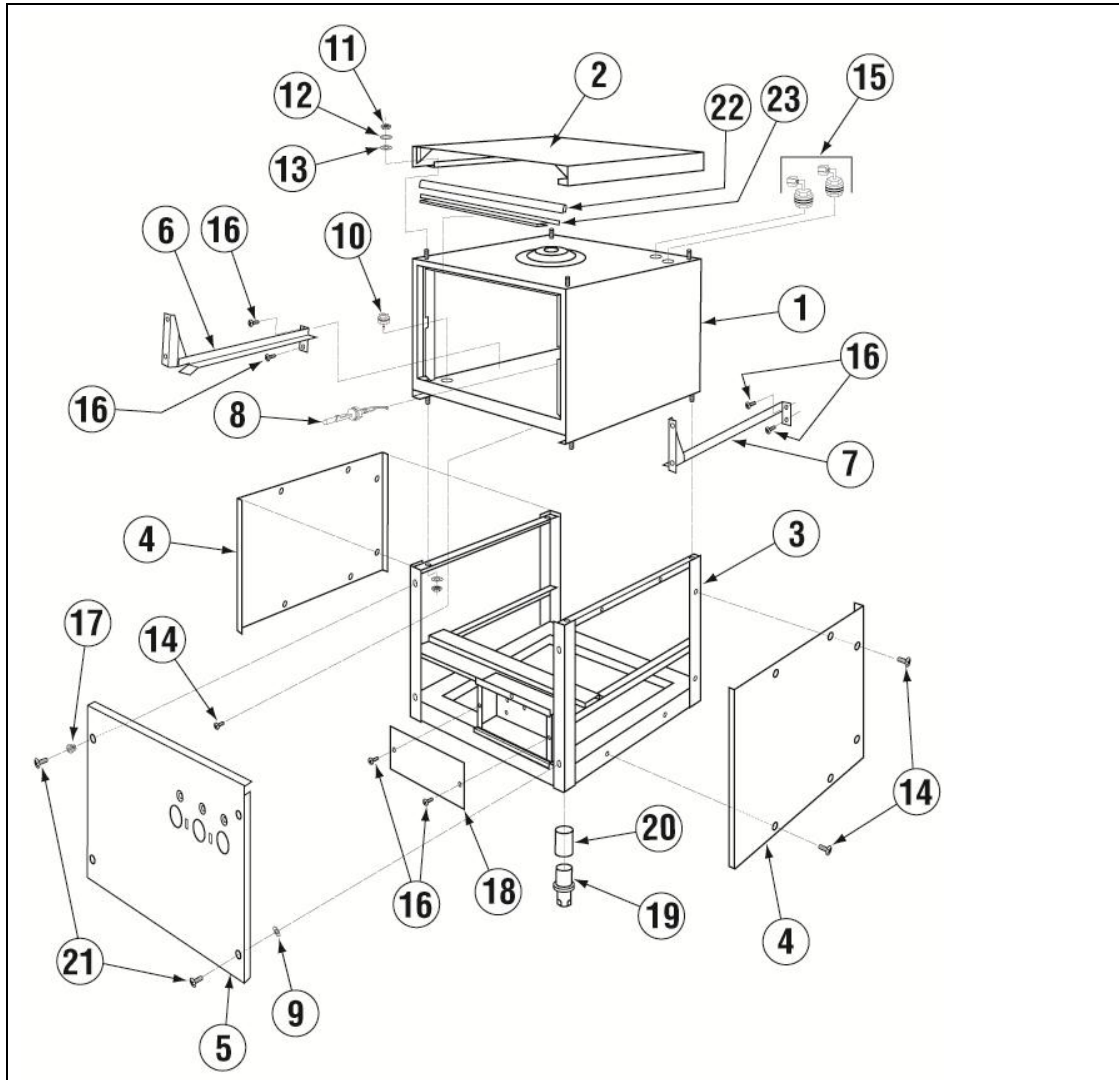
Exploded View

ITEM NO.	NO. REQ'D	P/N	DESCRIPTION
1	3	00400.00	Conduit, 3/8" Sealtite
2	1	00401.00	S.T. 3/8" Straight Connector
3	1	00402.00	S.T. 90 Degree 3/8" Connector
4	1	00406.00	Control Box Light, .5" Diameter, Red
5	1	00435.00	Squeeze Tube, 8"
6	1	00521.00	Wire, 18 Gauge, Orange, 6 ft.
7	1	00531.00	Wire, 18 Gauge, White, 6 ft.

ITEM NO.	NO. REQ'D	P/N	DESCRIPTION
8	5	00931.00	Wire Tie, Small
9	1	12510.00	Sanitizer Alarm Box Assembly
10	1	12511.00	Sanitizer Low Level Vacuum Switch
11	1	12512.00	Sanitizer Alarm Buzzer, 120 Volts
12	4	40126.10	#10 x 3/4" Sheet metal Screw
13	4	40127.00	Wall Anchors
14	1	00426.00	Y Hose Connector, 3/16"

1.3. Exploded View Drawings

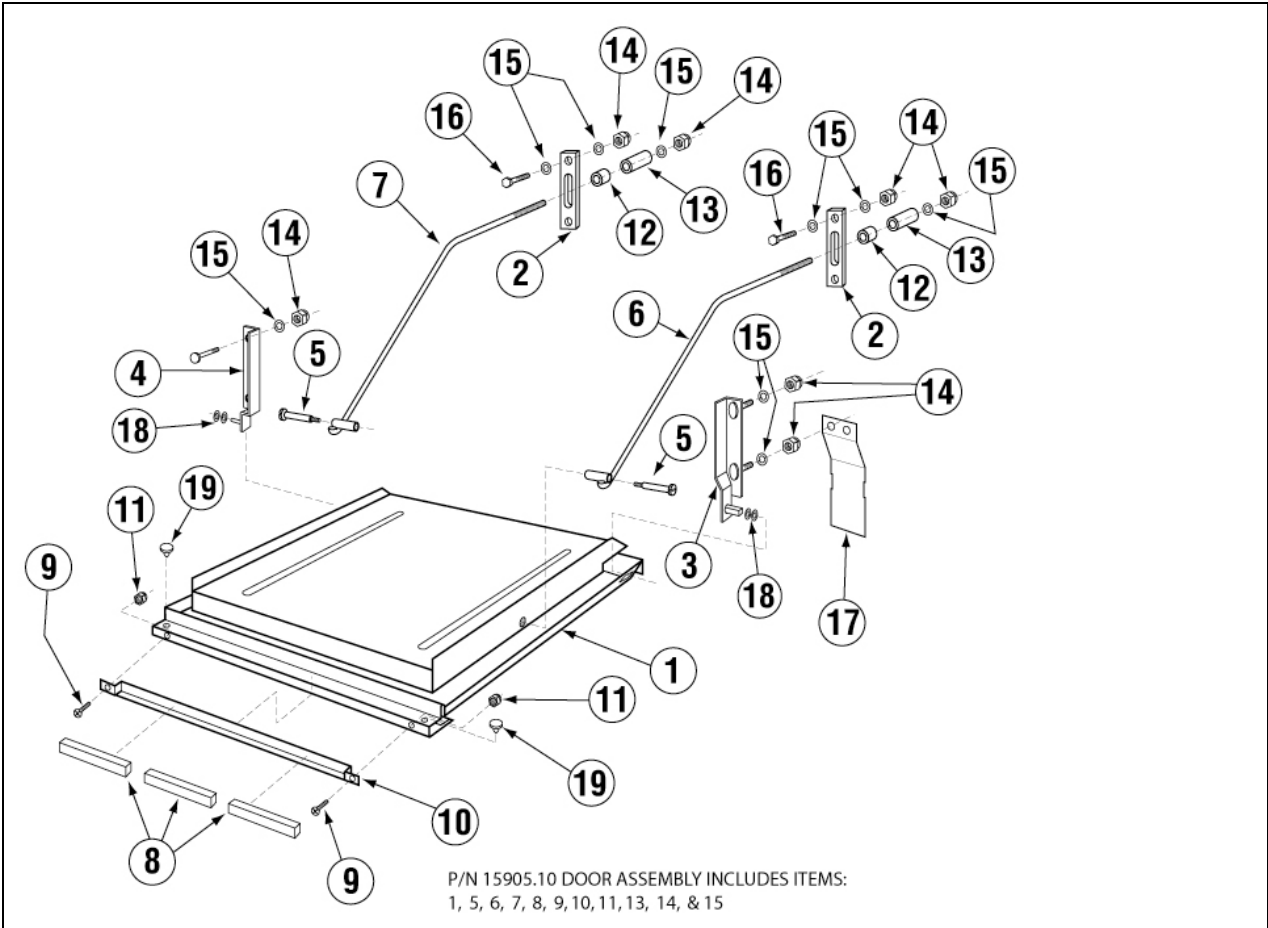
1.3.1. Cabinet Assembly



ITEM NO.	NO. REQ'D	P/N	DESCRIPTION
1	1	15901.62	GL-X Body
2	1	14503.50	GL-X EZ Top
3	1	15902.62	GL-X Stand
4	2	15902.84	GL-X Stand Panel
5	1	15915.62	GL-X Peri-Pump Panel
6	1	04912.60	GL-X Tray Track (LH)
7	1	04911.60	GL-X Tray Track (RH)
8	1	13463.10	Liquid Level Switch
9	2	03816.00	Nylon Retaining Washer
10	1	03415.60	Chem. Tube Bulkhead
11	12	00912.00	1/4" SS Nut
12	4	00922.00	1/4" Lock Star Washer

ITEM NO.	NO. REQ'D	P/N	DESCRIPTION
13	1	00924.00	1/4" SS Washer
14	2	00940.50	10-32 X 3/8" Truss Head Screw
15	2	03415.00	Chemical Tube Bulkhead
16	16	00941.00	10-32 X 5/8" Panhead Screw
17	12	00439.00	Snap Bushing 500-6
18	1	15922.62	GL-X Electrical Cover
19	4	01310.00	Bullet Foot
20	4	01572.64	GL-X Leg
21	4	00941.00	10-32 X 5/8" Panhead Screw
22	1	14506.50	Door Gasket
23	1	14506.45	Gasket Bracket

1.3.2. GLX Door Assembly

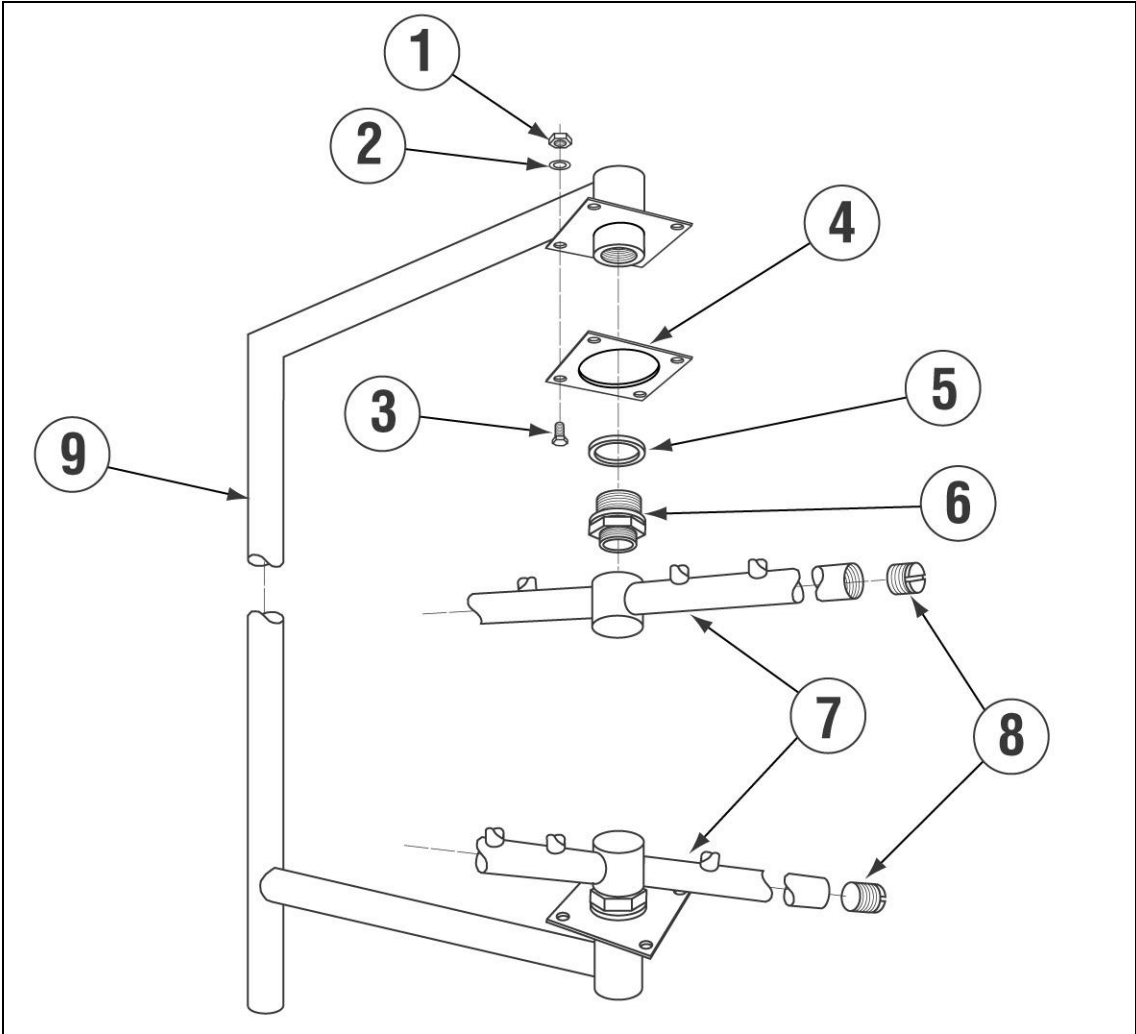


P/N 15905.10 DOOR ASSEMBLY INCLUDES ITEMS: 1,5,7,9,10,11,13,14 & 15.

ITEM NO.	NO. REQ'D	P/N	DESCRIPTION
1	1	15906.60	GL-X Door
2	2	04517.60	Door Support Rod Block
3	1	14570.00	Door Hinge
4	1	14570.50	Door Hinge (LH)
5	2	04919.00	Door Rod Screw
6	1	04918.60	Door Support Rod Right
7	1	04919.50	Door Support Rod Left
8	2	00557.80	Door Magnet
9	2	00970.60	6 32 x 1/2" Flathead Screw
10	1	14558.61	Door Magnet Holder

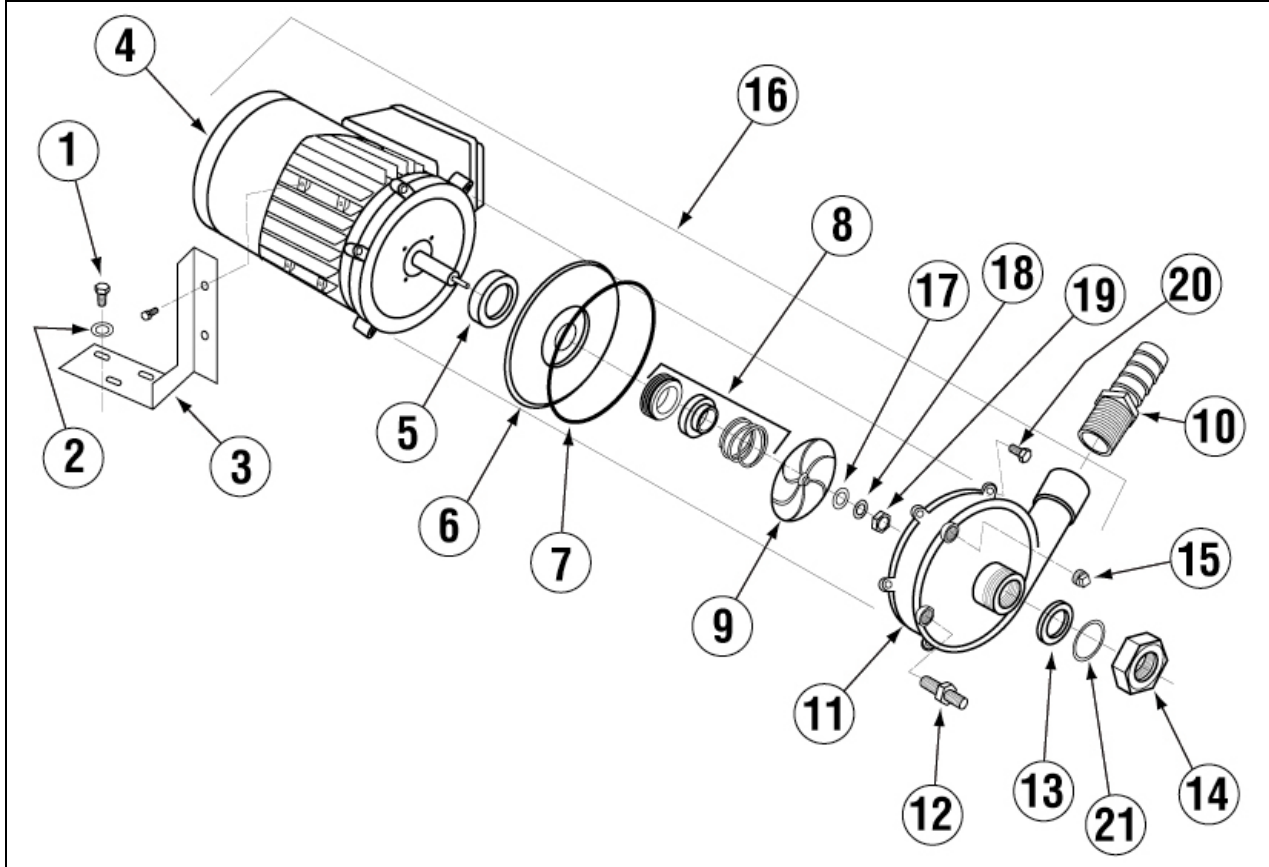
ITEM NO.	NO. REQ'D	P/N	DESCRIPTION
11	2	00965.00	6-32 Lock Nut
12	2	00605.20	Door Rod Spacer
13	2	04517.15	Door Stop (Parallel)
14	10	00912.00	1/4"-20 Nylon Lock Nut
15	14	00924.00	1/4" SS Washer
16	4	00914.10	1/4"-20 x 5/8" Hex Head Bolt
17	2	14518.00	Splash Guard
18	4	00924.00	1/4" SS Washer
19	2	00605.00	Door Handle Button

1.3.3. Spray System Assembly



ITEM NO.	NO. REQ'D	P/N	DESCRIPTION
1	8	00912.00	1/4"-20 Nylon Lock Nut
2	16	00924.00	1/4" SS Washer
3	8	00929.00	1/4"-20 x 3/4" Truss Head Bolt
4	2	04306.00	Square Manifold Gasket
5	2	04305.10	Red Silicon Gasket
6	2	04303.00	Spray Arm Bearing
7	2	00304.03	Spray Arm "B" Series
8	4	00308.50	Spray Arm End Plug
9	1	04304.00	GL-X Spray Manifold

1.3.4. S/S Pump Assembly (Effective August 2009)

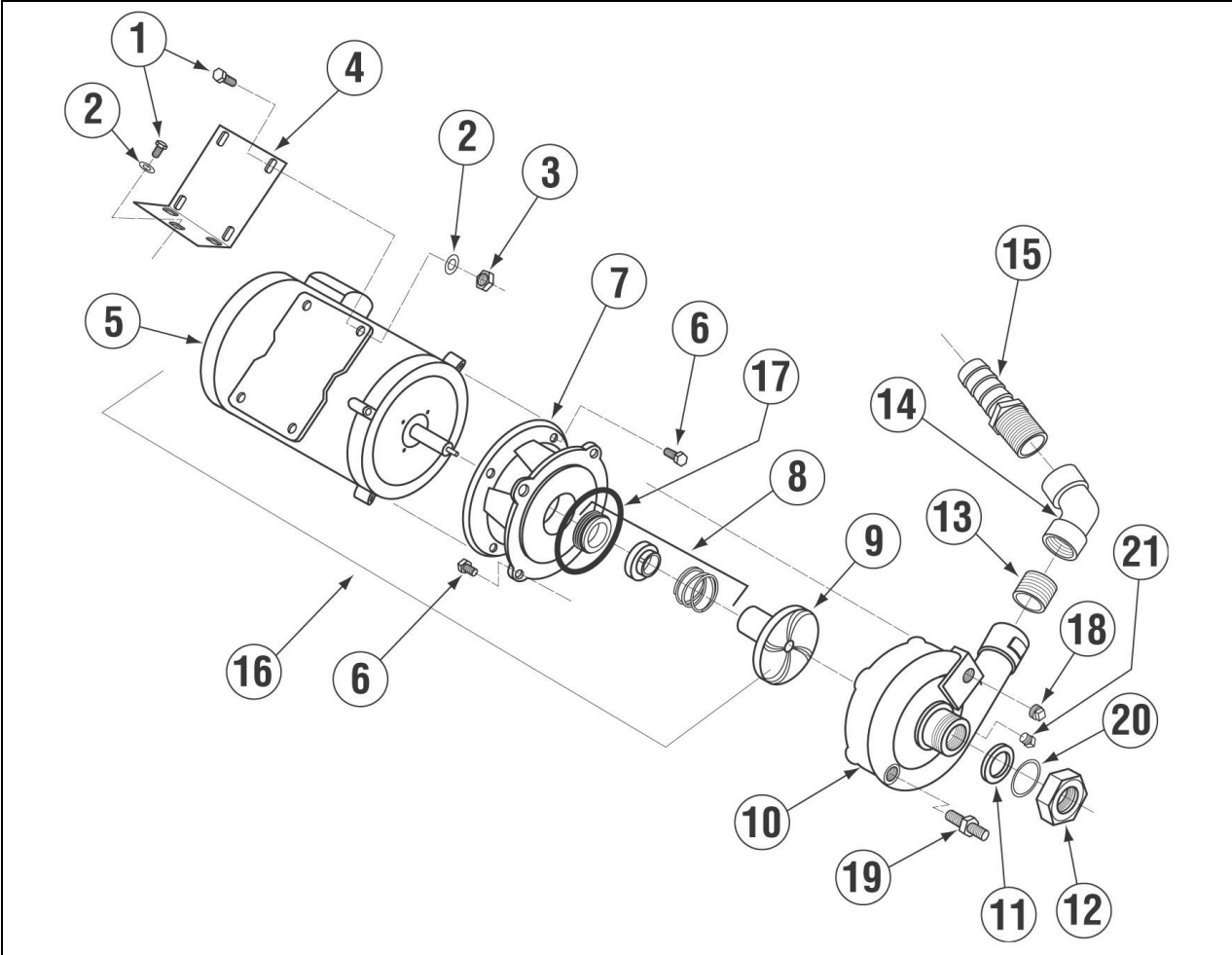


ITEM NO.	NO. REQ'D	P/N	DESCRIPTION
1	3	00908.00	5/16"-18 x 5/8" SS Hexhead Bolt
2	3	00926.00	5/16" SS Washer
3	1	00200.78	SS Pump Motor Holder "L"
4	1	00201.65	SS Wash Pump Motor 115v
5	1	00201.96	Slinger Washer Cone Shape
6	1	03224.60	SS Pump Backplate
7	1	03226.70	Volute O-Ring For SS Pump
8	1	00206.70	SS Pump Seal Kit
9	1	03222.60	SS Pump Impeller
10	1	50302.10	1" MPT x 1" Barb Brass
11	1	04206.75	SS Pump Cover

ITEM NO.	NO. REQ'D	P/N	DESCRIPTION
12	1	00214.50	1/2" Comp x 3/8" MIP Adapter
13	1	00208.40	Slip Joint Nut O Ring Buna
14	1	00207.00	Slip Joint Nut 1 1/2 x 1 1/4
15	1	00238.00	3/8" Male Plug
16	1	00200.75	Includes Items 4,5,6,7,8,9,and 11
17	1	03222.74	Flat Washer 8 mm
18	1	03222.72	Shaft Nut Lock Washer 8mm
19	1	13809.70	SS Pump Seal Shaft Nut 8mm
20	6	00914.70	Socket Head Screw 10 mm
21	1	00208.21	Slip Joint Nut Friction Ring

Item not shown are the same as #20 in old assembly

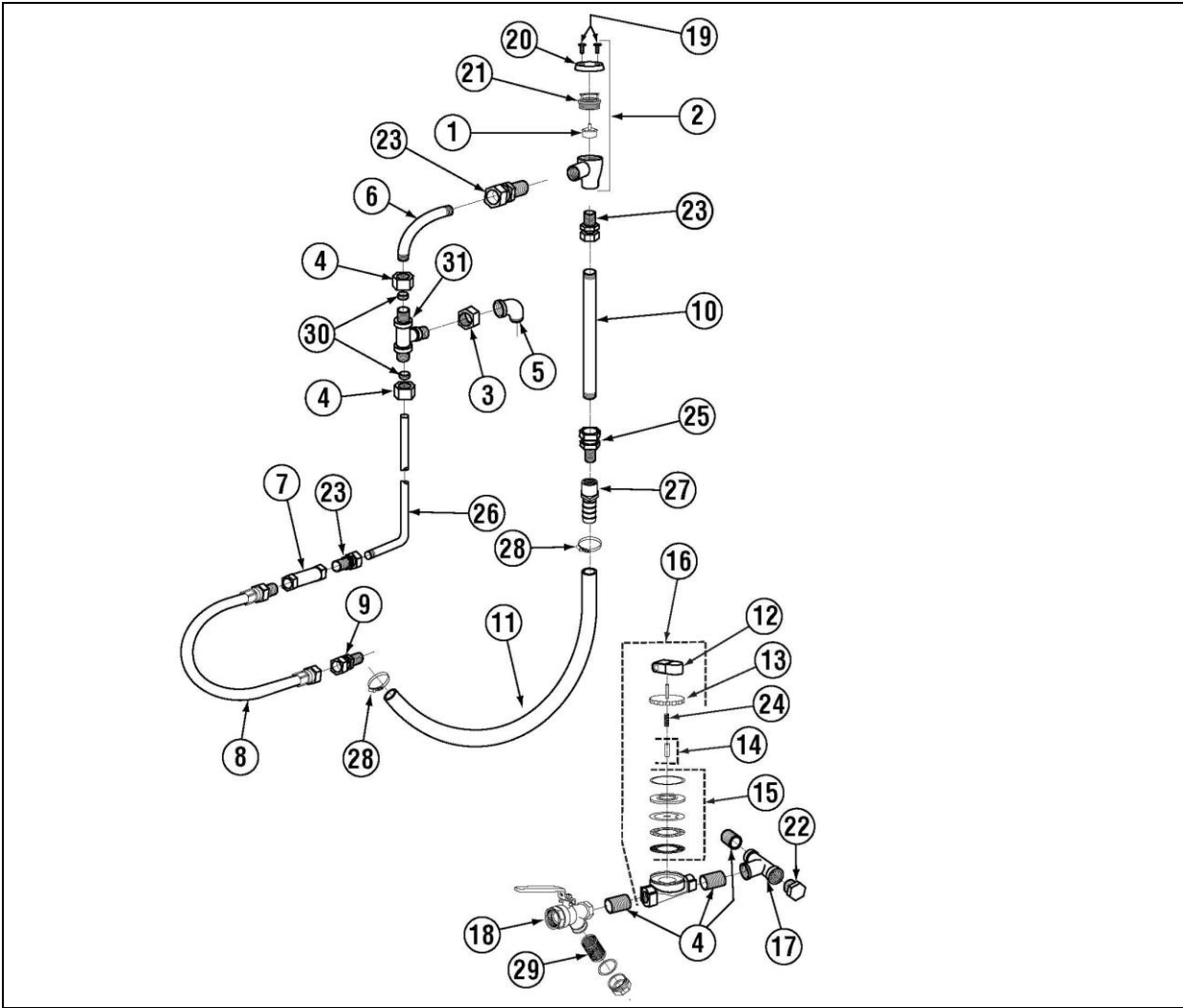
1.3.5. Pump Assembly



ITEM NO.	NO. REQ'D	P/N	DESCRIPTION
1	7	00908.00	5/16"-18 x 5/8" SS Hexhead Bolt
2	7	00926.00	5/16" SS Washer
3	4	13805.00	5/16"-18 Nylon Lock Nut
4	1	04909.00	Motor Mount
5	1	00201.00	Pump Motor 1 HP
6	8	00921.00	3/8"-16 x 3/4" Hex Bolt
7	1	03224.00	Pump Base (Mount)
8	1	00206.00	Pump Seal Kit
9	1	03222.05	Impeller (universal) open
10	1	04206.00	Pump cover

ITEM NO.	NO. REQ'D	P/N	DESCRIPTION
11	1	00208.40	Slip Joint Nut Gasket
12	1	04204.00	Compression Nut 2.5"
13	1	14004.00	1" close Nipple SS
14	1	04601.00	45 Degree Elbow FIP x FIP
15	1	50302.06	1" MIP x 1" Barb PVC
16	1	00200.10	Includes Items 5, 7, 8, 9 & 17
17	1	03226.00	Pump "O" Ring Gasket
18	1	00238.00	3/8" Male Plug
19	1	00214.50	1/2" Comp x 3/8" MIP Adapter
20	1	00208.21	Slip Joint Nut Friction Ring

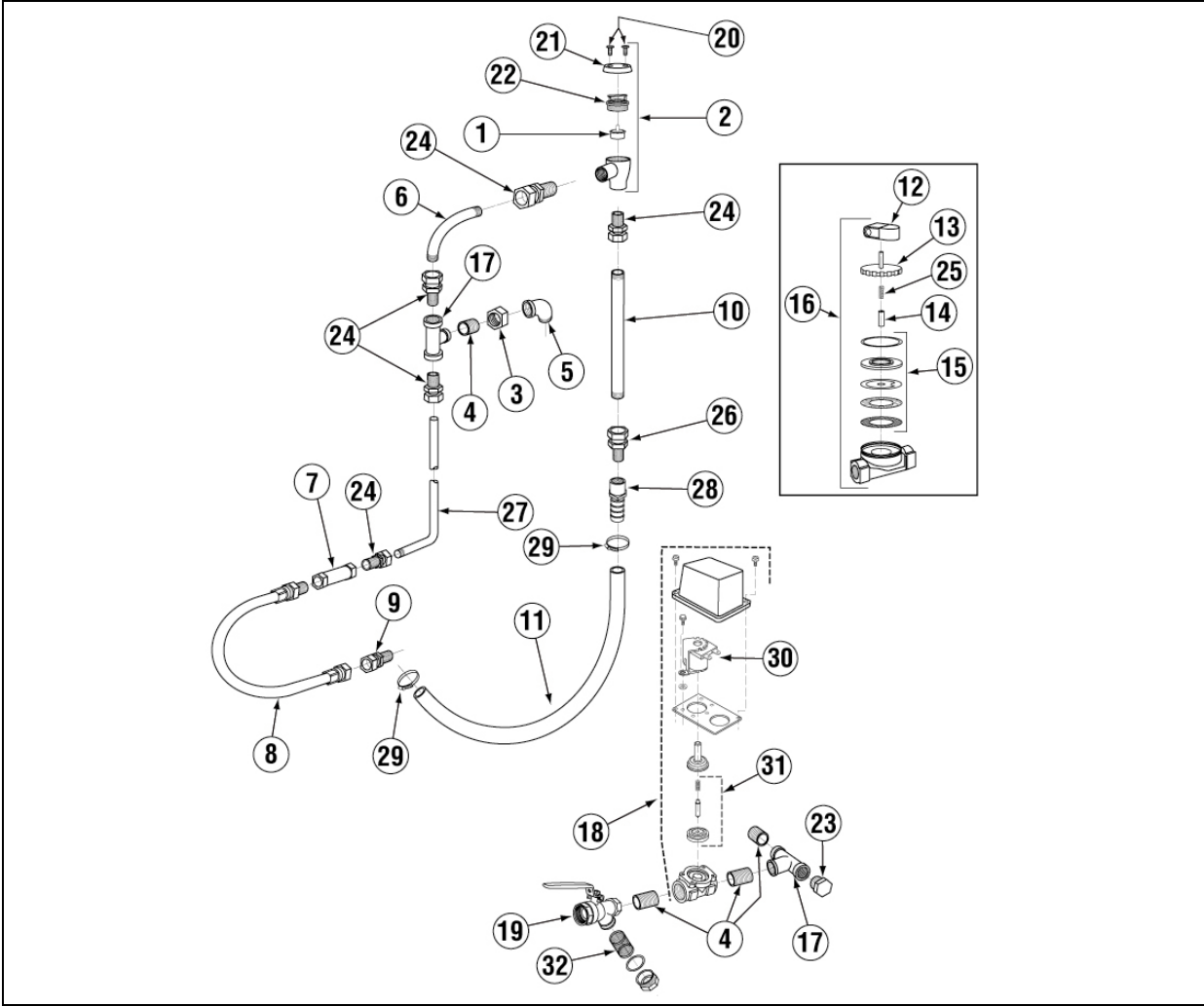
1.3.6. Plumbing System Assembly (Effective June 2013)



ITEM NO.	NO. REQ'D	P/N	DESCRIPTION
1	1	03623.00	1/2" Vac. Brkr Repair Kit – WATTS
2	1	03624.00	1/2" Vacuum Breaker – WATTS
3	1	00721.00	1/2" Jamb Nut
4	2	00770.10	5/8 Compression Fitting Nut
5	2	00748.50	1/2" Shrub Head
6	1	04605.82	GL-X "U" Tube
7	1	00715.00	Ball Check Valve
8	1	15401.50	SS Braided Hose
9	1	00214.50	1/2" Comp x 3/8" MIP FTG
10	4	04605.84	GL-X Straight Tube
11	1	03108.60	Transfer Hose 1" Reinforced 2 ft
12	1	00738.10	JE Solenoid Coil
13	1	03603.20	1/2" Water Solenoid Bonnet
14	1	00786.00	JE Solenoid Valve Plunger
15	1	00707.00	JE 1/2" Solenoid Rep. Kit
16	1	03603.10	JE 1/2" Solenoid Valve

ITEM NO.	NO. REQ'D	P/N	DESCRIPTION
17	1	00743.10	1/2" Tee FxFxF
18	1	41062.00	1/2 Strainer Ball Valve*
19	2	00421.51	6-32 X 1/4" Panhead SS
20	1	00739.50	Vacuum Breaker Cap SS
21	1	03624.25	Vacuum Breaker Bonnet Brass
22	1	13642.00	1/2" Brass Plug
23	6	00760.00	5/8" Comp. X 1/2" M.I.P. Adapter
24	1	00706.10	Solenoid Plunger Spring Only
25	1	00761.00	5/8 Comp X 3/4 MIP Adapter
26	1	04606.00	GL-X L tube
27	1	50302.20	3/4" F X 1" Barb Plastic Fitting
28	2	03101.00	Hose Clamp # 16 1"
29	1	41062.00	^ 1/2 Ball Valve Strainer Only
30	2	00770.20	5/8 Compression Fitting Ring
31	1	00743.12	Tee 1/2C x 1/2C x 1/2 Male

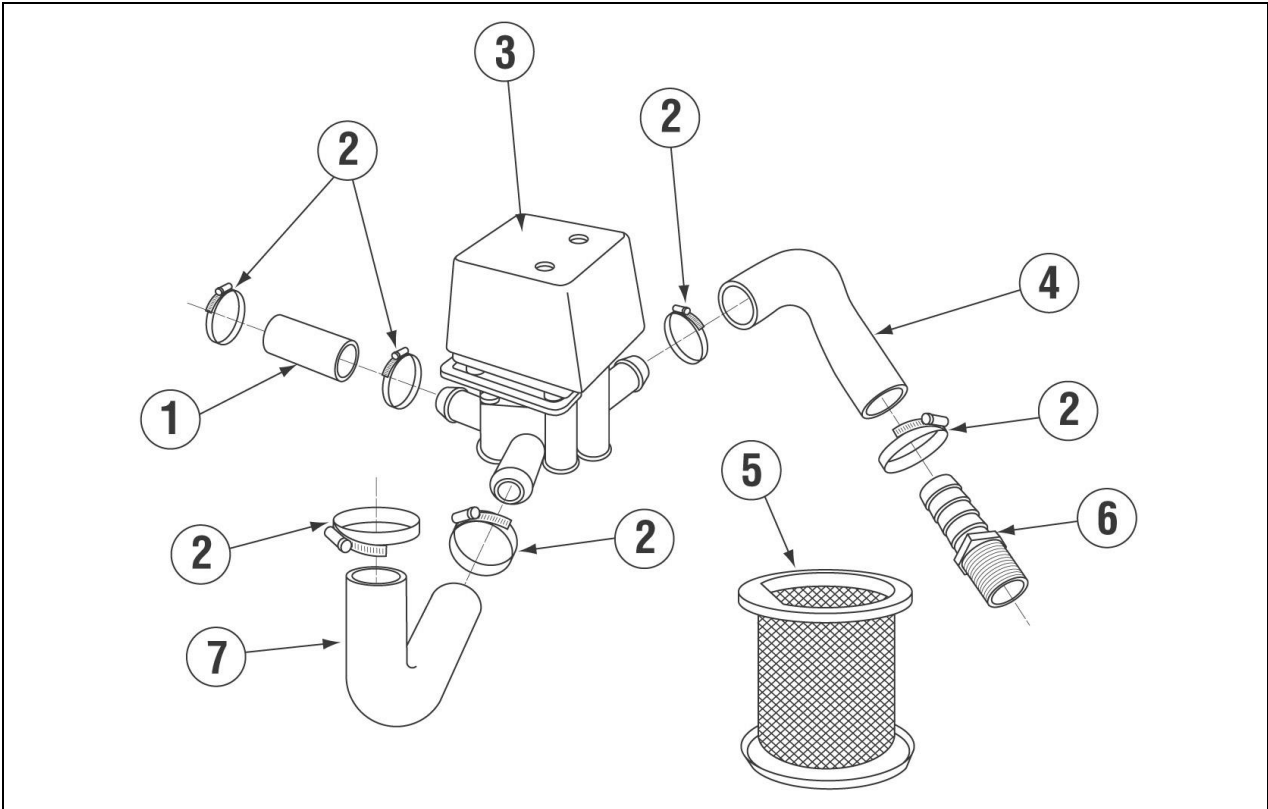
1.3.7. Plumbing System Assembly



ITEM NO.	NO. REQ'D	P/N	DESCRIPTION
1	1	03623.00	1/2" Vac. Brkr Repair Kit – WATTS
2	1	03624.00	1/2" Vacuum Breaker – WATTS
3	1	00721.00	1/2" Jamb Nut
4	4	03614.00	1/2" Brass (Close) Nipple
5	2	00748.50	1/2" Shrub Head
6	1	04605.82	GL-X "U" Tube
7	1	00715.00	Ball Check Valve
8	1	15401.50	SS Braided Hose
9	1	00214.50	1/2" Comp x 3/8" MIP FTG
10	4	04605.84	GL-X Straight Tube
11	1	03108.60	Transfer Hose 1" Reinforced 2 ft
12	1	00738.10	JE Solenoid Coil
13	1	03603.20	1/2" Water Solenoid Bonnet
14	1	00786.00	JE Solenoid Valve Plunger
15	1	00707.00	JE 1/2" Solenoid Rep. Kit
16	1	03603.10	JE 1/2" Solenoid Valve

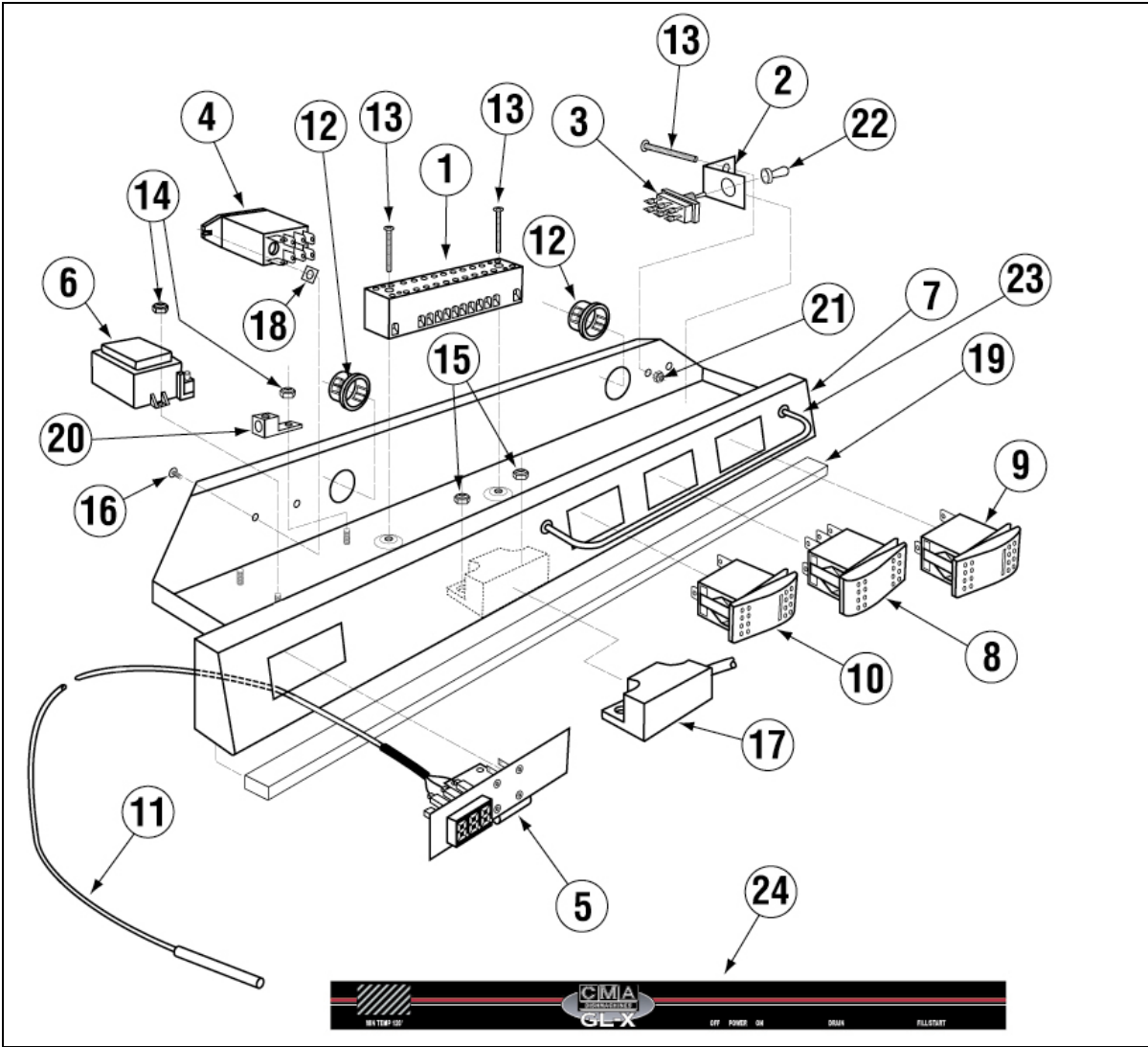
ITEM NO.	NO. REQ'D	P/N	DESCRIPTION
17	2	00743.10	1/2" Tee FxFxF
18	1	03604.00	S/S Water Solenoid Valve
19	1	41062.00	1/2 Strainer Ball Valve*
20	2	00421.51	6-32 X 1/4" Panhead SS
21	1	00739.50	Vacuum Breaker Cap SS
22	1	03624.25	Vacuum Breaker Bonnet Brass
23	1	13642.00	1/2" Brass Plug
24	6	00760.00	5/8" Comp. X 1/2" M.I.P. Adapter
25	1	00706.10	Solenoid Plunger Spring Only
26	1	00761.00	5/8 Comp X 3/4 MIP Adapter
27	1	04606.00	GL-X L tube
28	1	50302.20	3/4" F X 1" Barb Plastic Fitting
29	2	03101.00	Hose Clamp # 16 1"
30	1	41015.60	1/4 Water Solenoid Coil Only 110V
31	1	03604.30	Dema Valve Repair Kit 1/2"
32	1	41062.00	^ 1/2 Ball Valve Strainer Only

1.3.8. Drain System Assembly



ITEM NO.	NO. REQ'D	P/N	DESCRIPTION
1	1	04105.00	Pump Hose 6.5"
2	6	03101.00	1" Hose Clamp #16
3	1	04113.00	Drain Valve
4	1	03108.51	1" Goose Neck Drain Hose
5	1	04110.00	Drain Sump Screen
6	1	50302.06	1" MIP X 1" Barb PVC
7	1	03109.00	Drain Hose 90 deg. 1" I.D.

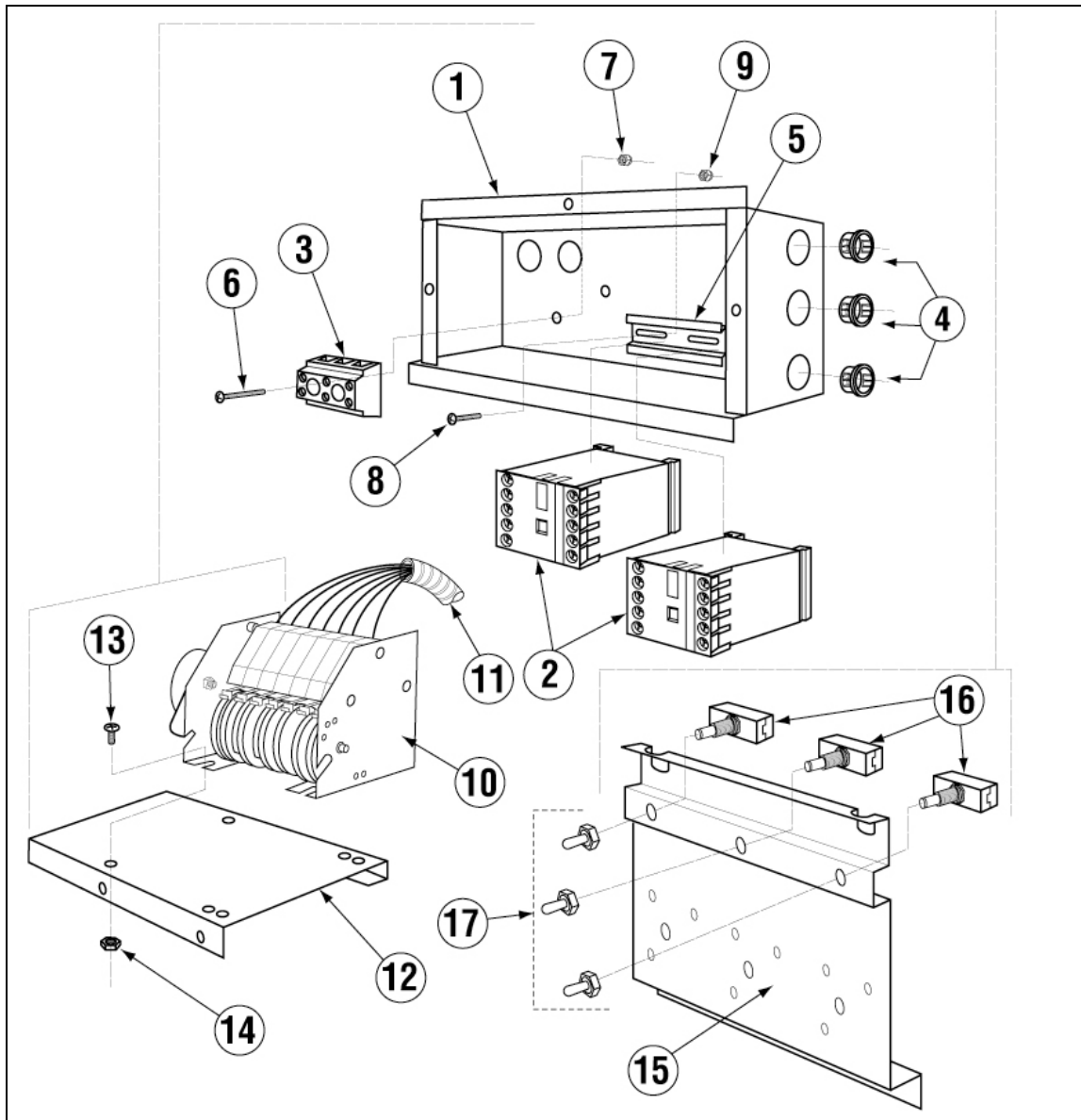
1.3.9. Control Box



ITEM NO.	NO. REQ'D	P/N	DESCRIPTION
1	1	15520.00	Power Block 12 Position
2	1	00474.00	Delimer switch Bracket
3	1	00475.30	Delimer Switch DPST 20 Amp.
4	2	00631.00	Ice Cube Relay
5	1	03203.51	Single Temp. Display Unit
6	1	03202.60	Thermometer Transformer
7	1	15904.62	Control Drawer
8	1	03481.00	Drain Rocker Switch*
9	1	00421.40	Start/Fill Rocker Switch*
10	1	15524.00	Power Rocker Switch*
11	1	03202.66	Thermocouple
12	1	00438.00	Snap bushing, Universal

ITEM NO.	NO. REQ'D	P/N	DESCRIPTION
13	3	01001.00	6-32 x 1" Panhead Screw
14	3	00971.10	4-40 Nylon Lock Nut
15	6	00927.00	8-32 Nylon Lock Nut
16	4	00631.00	8-32 X 1/2" Panhead Screw
17	1	00556.10	Reed Switch
18	4	00917.00	8-32 PM Nut
19	2	03705.82	Sponge Strip
20	1	13426.50	Ground Block
21	1	00965.00	6-32 Nylon Lock Nut
22	1	00470.10	Toggle Switch Rubber Boot
23	1	03485.00	Switch Guard (Undercounter Units)
24	1	06232.51	GL-X Drawer Label w/Window

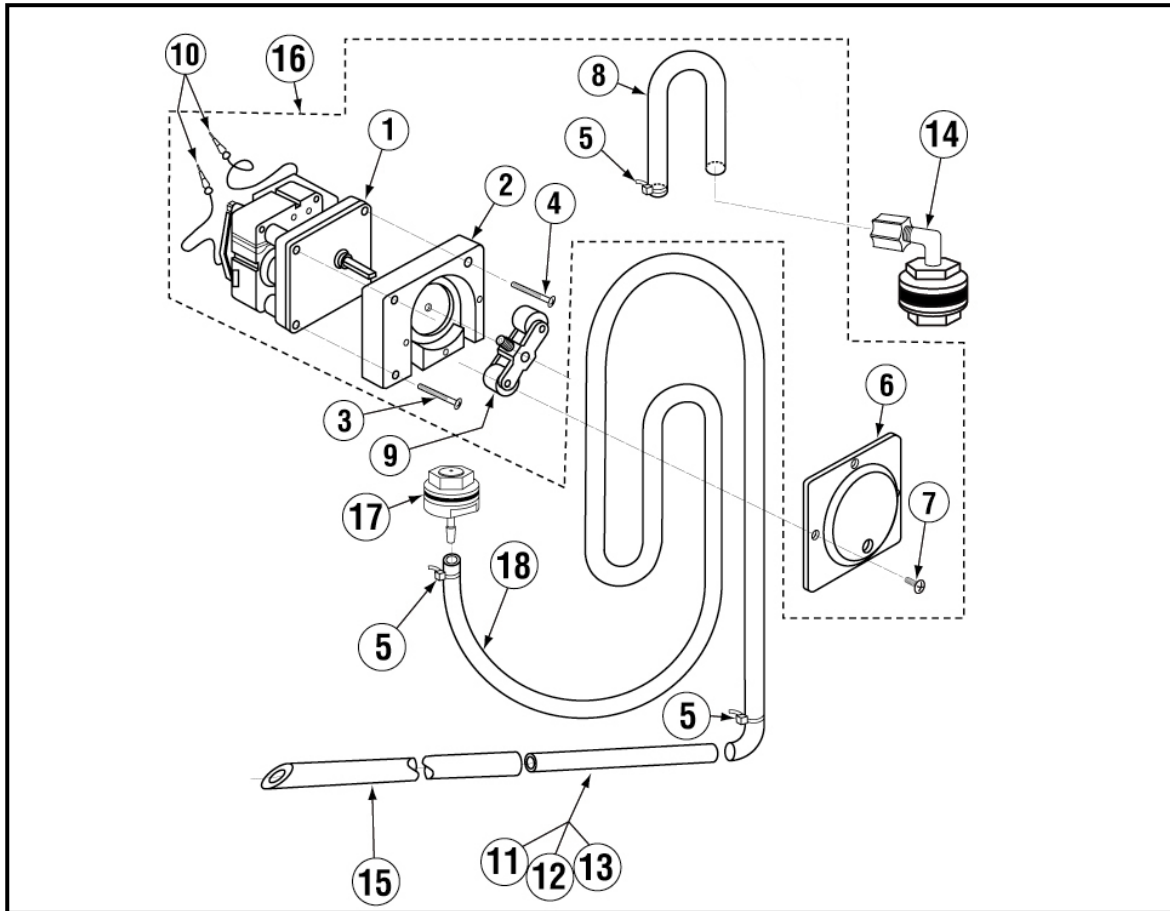
1.3.10. Power Box



ITEM NO.	NO. REQ'D	P/N	DESCRIPTION
1	1	15923.62	GL-X Electrical Box
2	2	13012.15	GL-X Contactor
3	1	15520.50	Power Block 3 Position
4	3	00438.00	Snap Bushing Universal
5	0.5	13003.60	Contacteur DIN Rail
6	2	13525.00	8-32 x 1" Pan Head Screw
7	2	00927.00	8-32 Nylon Lock Nut
8	2	00941.00	10-32 Pan Head Screw
9	2	03801.00	10-32 Nylon Lock Nut

ITEM NO.	NO. REQ'D	P/N	DESCRIPTION
10	1	00408.80	2 Minute Timer GL-X
11	6	15400.10	3/4" Slit Ribbed Tubing
12	1	15921.00	Timer Mount
13	2	00941.00	10-32 X 5/8" Pan Head Screw
14	2	03801.00	10-32 Nylon Lock Nut
15	1	15914.82	GL-X Peri-Pump Mount
16	3	03475.00	Primer Switches*
17	3	03476.00	Rubber Boots

1.3.11. Peristaltic Pump Assembly

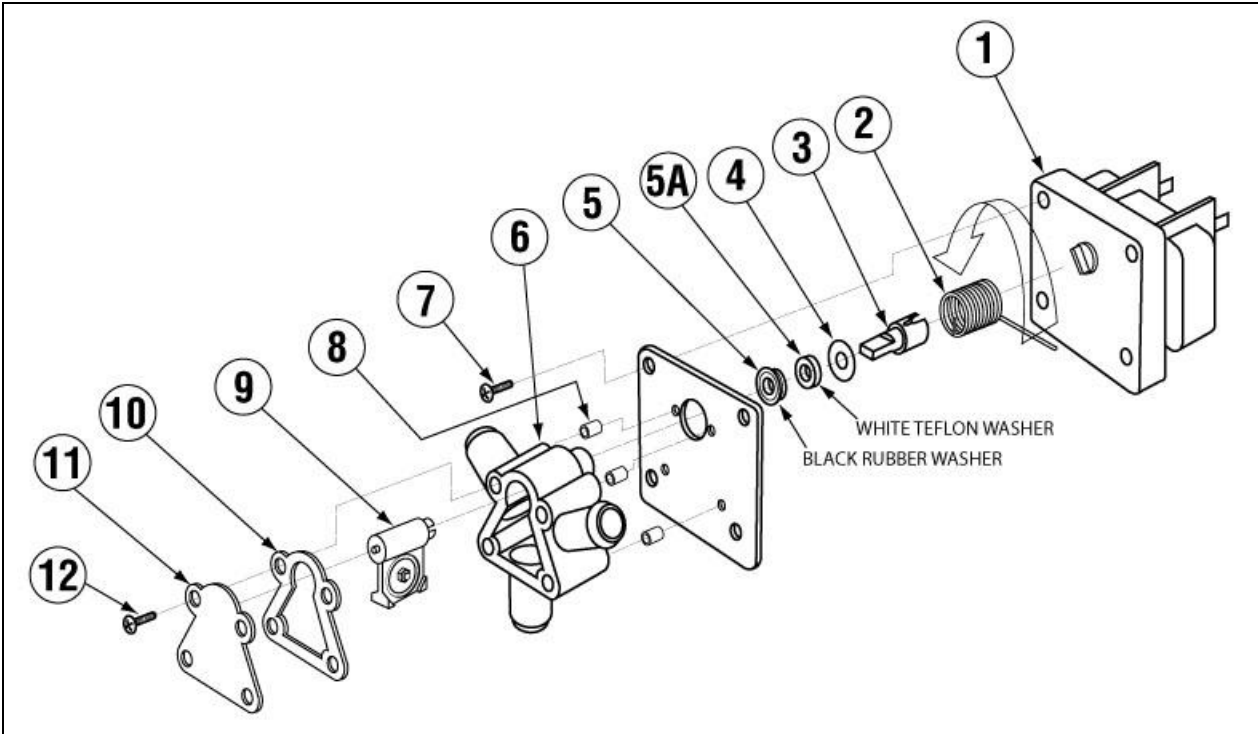


ITEM NO.	NO. REQ'D	P/N	DESCRIPTION
1	3	00416.00	Peristaltic Pump Motor
2	3	00417.10	Peristaltic Pump Block
3	6	00919.00	10-32 x 1 1/2" Pan Head Screw
4	3	00918.00	10-32 x 1 1/2" Fillister HD Screw
5	6	00932.00	Wire Tie – Large
6	7	00418.00	Peristaltic Pump Block Cover
7	12	00911.00	8-32 x 1/2" Pan Head Screw
8	1	00458.00	Squeeze Tube – Black Detergent
		02257.00	Squeeze Tube 8" Norprene
9	3	00419.00	Peristaltic Rotor Assembly

ITEM NO.	NO. REQ'D	P/N	DESCRIPTION
10	6	00448.00	Barrel Connector (Male)
11	AR	00425.51	Chemical Tubing (Blue)
12	AR	00425.53	Chemical Tubing (Red)
13	AR	00425.54	Chemical Tubing (White)
14	2	03415.00	Chemical Tube Bulkhead
15	2	00443.00	Tube Stiffener
16*	1	00415.00	Complete Peristaltic Pump
17	1	03415.60	Bulk Head For Sanitizer
18	1	02257.62	30" Squeeze Tube

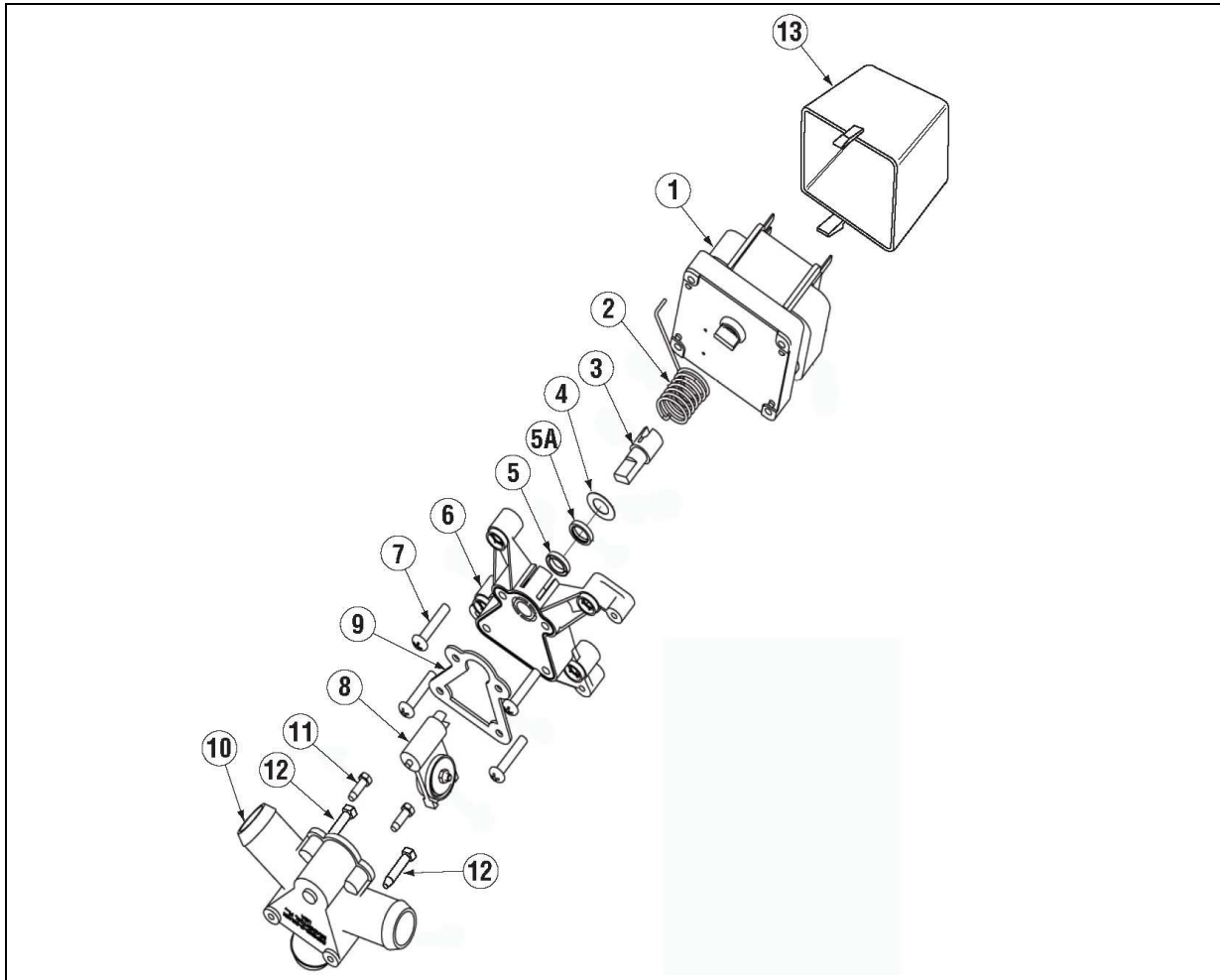
*Item 16 includes items 1-4, 6-10.

1.3.12. Drain Valve



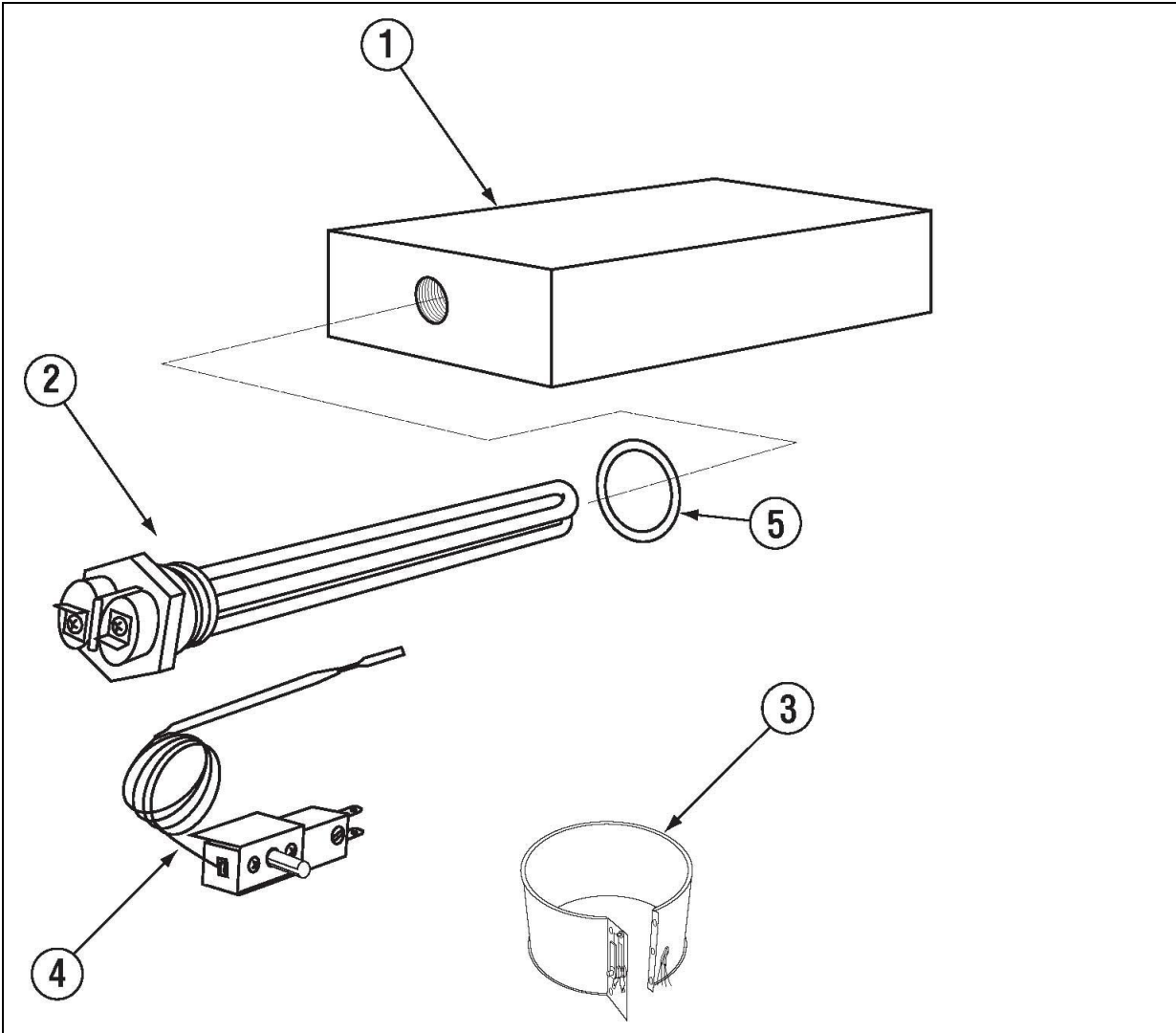
ITEM NO.	NO. REQ'D	P/N	DESCRIPTION
1	1	04103.21	Drain Motor 115V, 60Hz
2	1	04103.14	Drain Valve Spring
3	1	04103.20	Drain Valve Drive Pin
4	1	04103.19	Drain Valve Washer (Thin)
5	1	04103.23	Drain Seal Washer (Black)
5A	1	04103.17	Drain Seal Washer (White)
6	1	04103.12	Drain Valve Housing
7	4	00941.00	#10-32 x 5/8" Pan Head Screw
8	3	04103.24	Drain Valve Housing Spacer
9	1	04103.16	Hinge/Seal
10	1	04103.15	Drain Housing Gasket
11	1	04103.13	Drain Valve Housing Cover
12	4	04103.18	#8 x 5/8" Self-Threading Screw

1.3.13. Drain Valve (Effective January 2011)



ITEM NO.	NO. REQ'D	P/N	DESCRIPTION
1	1	00104.50	Drain Motor 120V
2	1	04103.14	Drain Valve Spring
3	1	04103.20	Drain Valve Drive Pin
4	1	04103.19	Drain Valve Washer (Thin) SS
5	1	04103.17	Drain Valve Seal Washer (Rubber)
5A	1	04103.23	Drain Seal Bearing (White Washer)
6	1	04113.33	Drain Valve Housing Cover
7	4	04113.18	Valve Cover Screw
8	3	04113.16	Drain Valve Hinge/Seal
9	1	04103.15	Drain Valve Housing Gasket
10	1	04113.12	Drain Valve Housing (Includes #11&12)
11	2	TBD	TBD
12	2	TBD	TBD
13	1	04113.13	Valve Cover Assy. Rectangular

1.3.14. GLX Heater Assembly



ITEM NO.	NO. REQ'D	P/N	DESCRIPTION
1	1	15920.64	GL-X Heater Box
2	1	15417.30	1250 Watt Heater
3	1	04109.11	Sump Heater
4	1	13417.92	Thermostat
5	1	00703.00	O-ring Gasket