



HOSHIZAKI

Parts Manual

Bottle Cooler Equipment

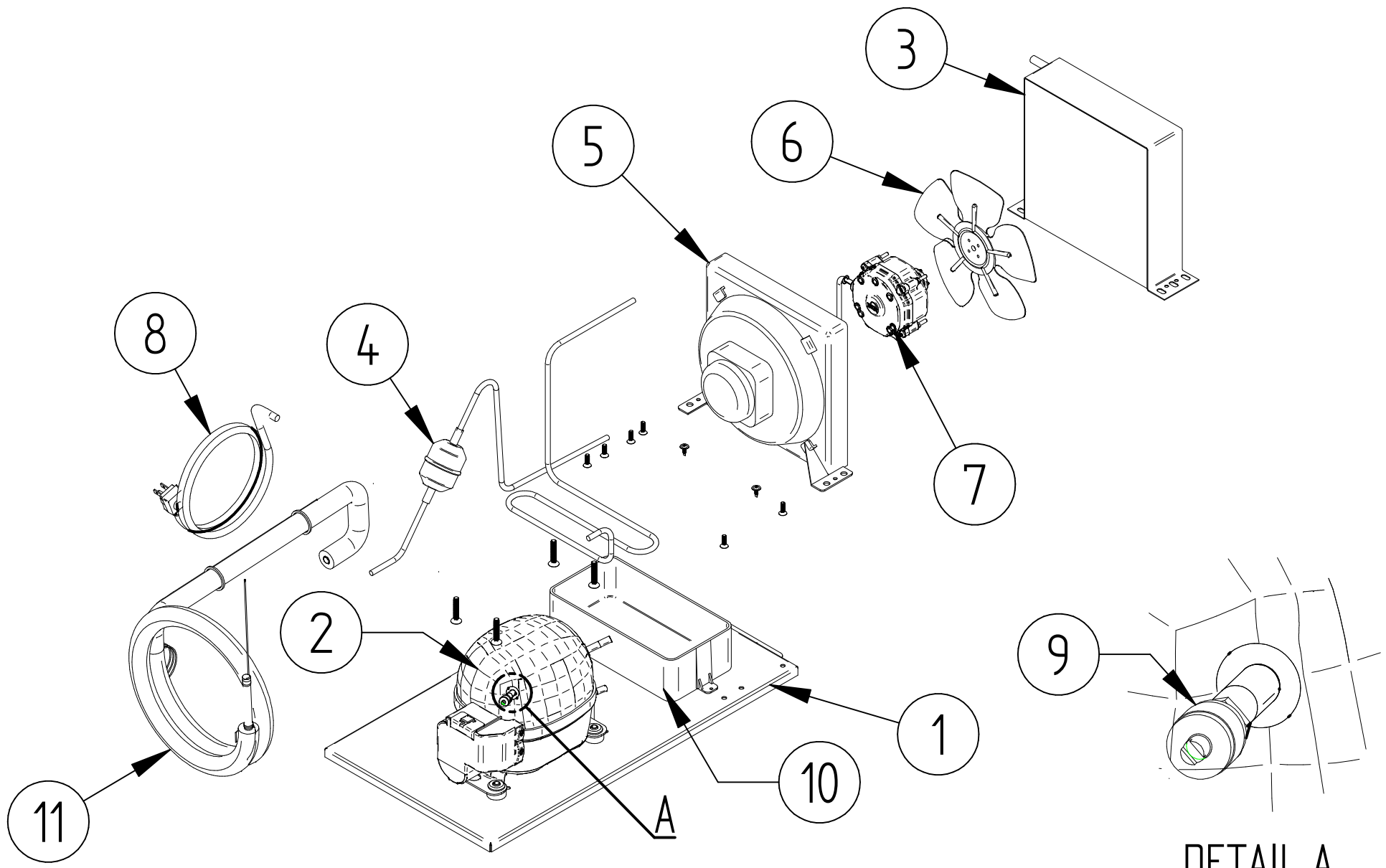
Models

HBC-50

HBC-65

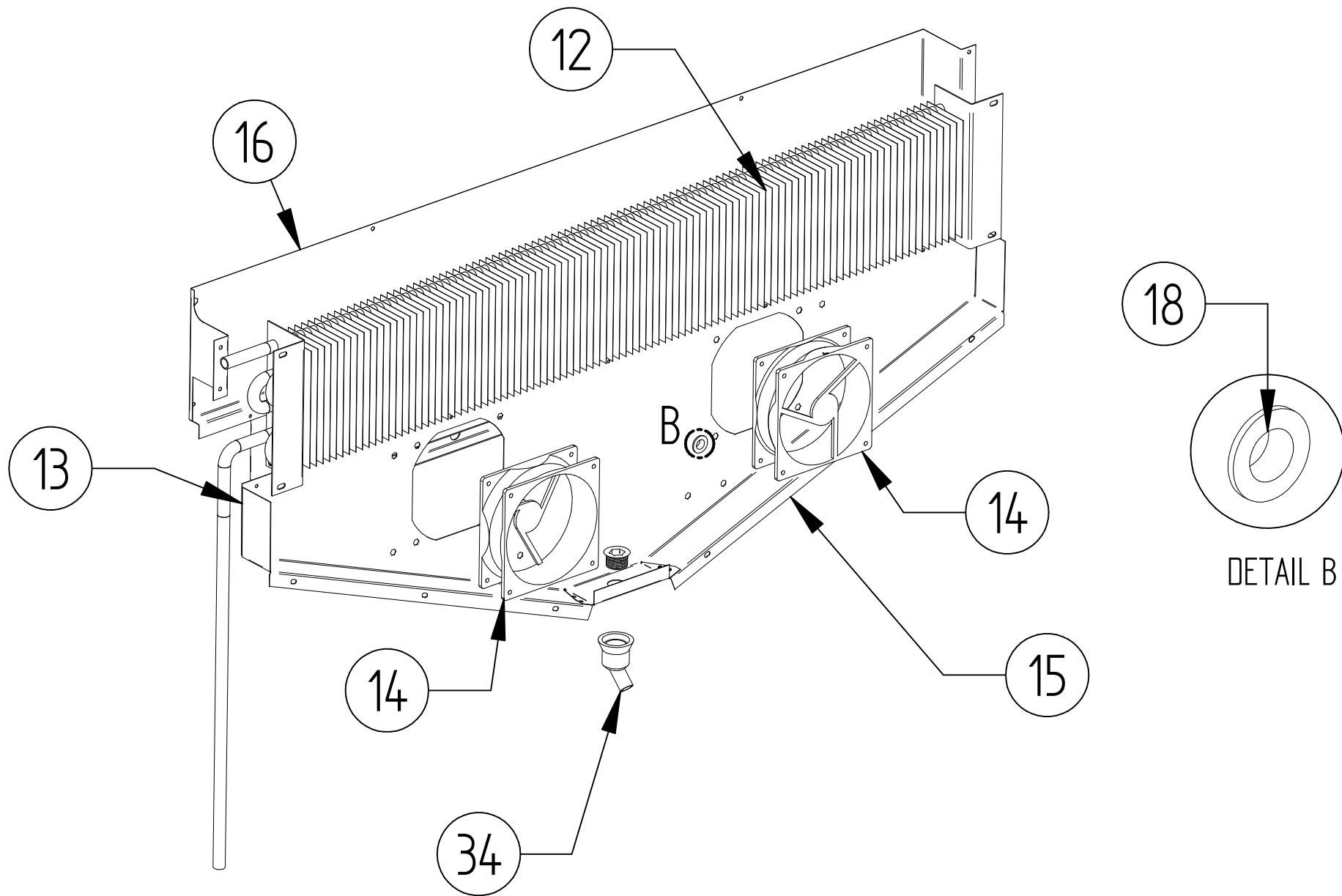
HBC-80

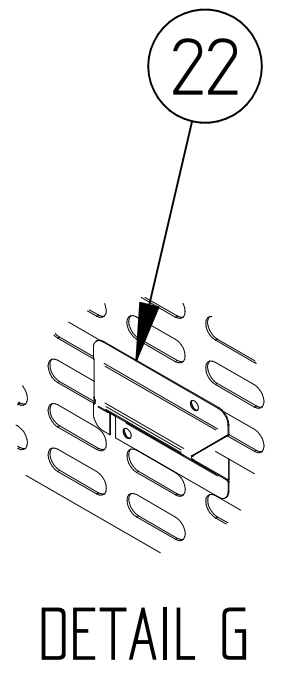
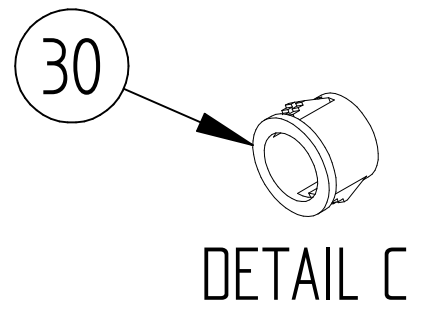
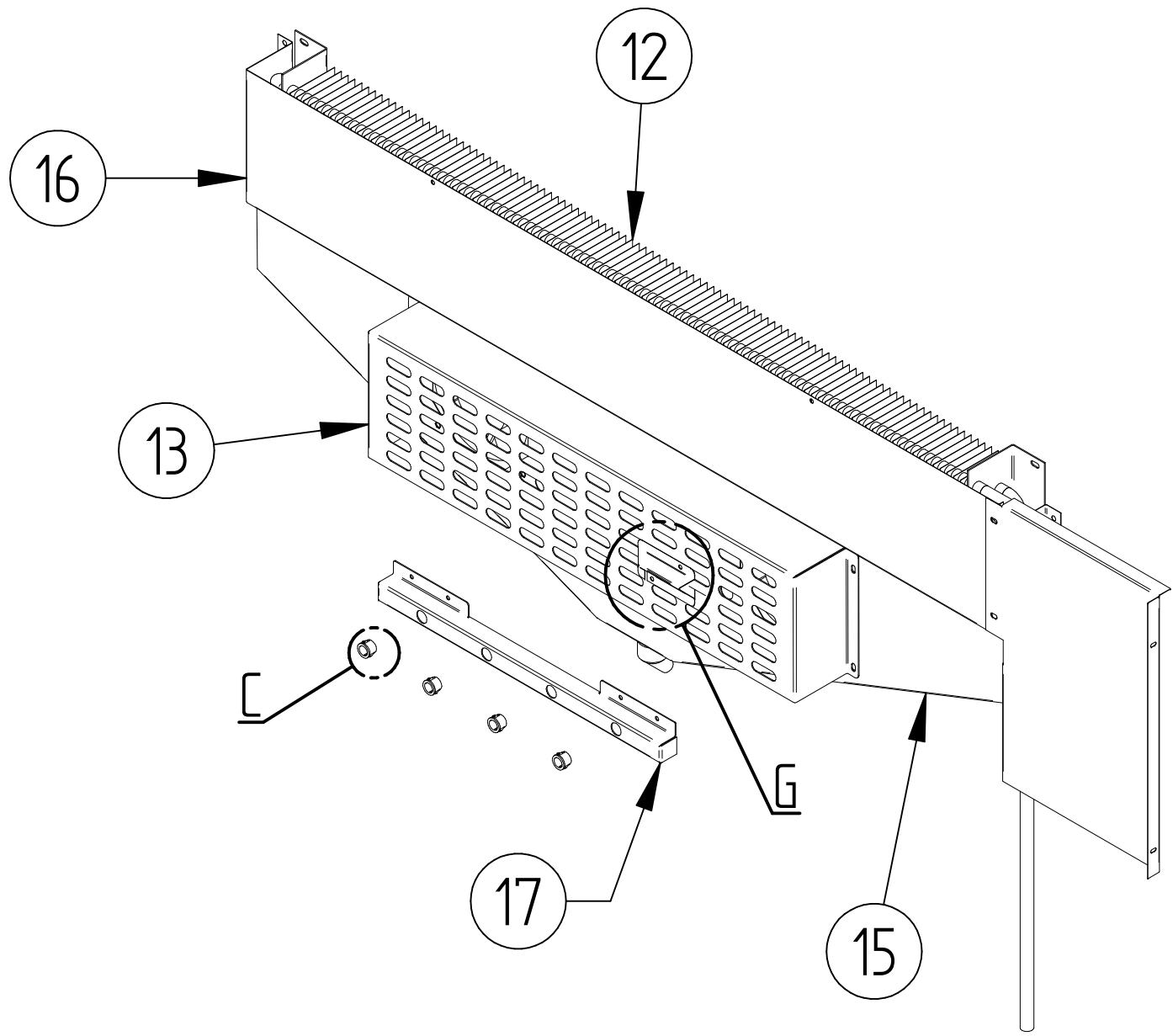
HBC-95

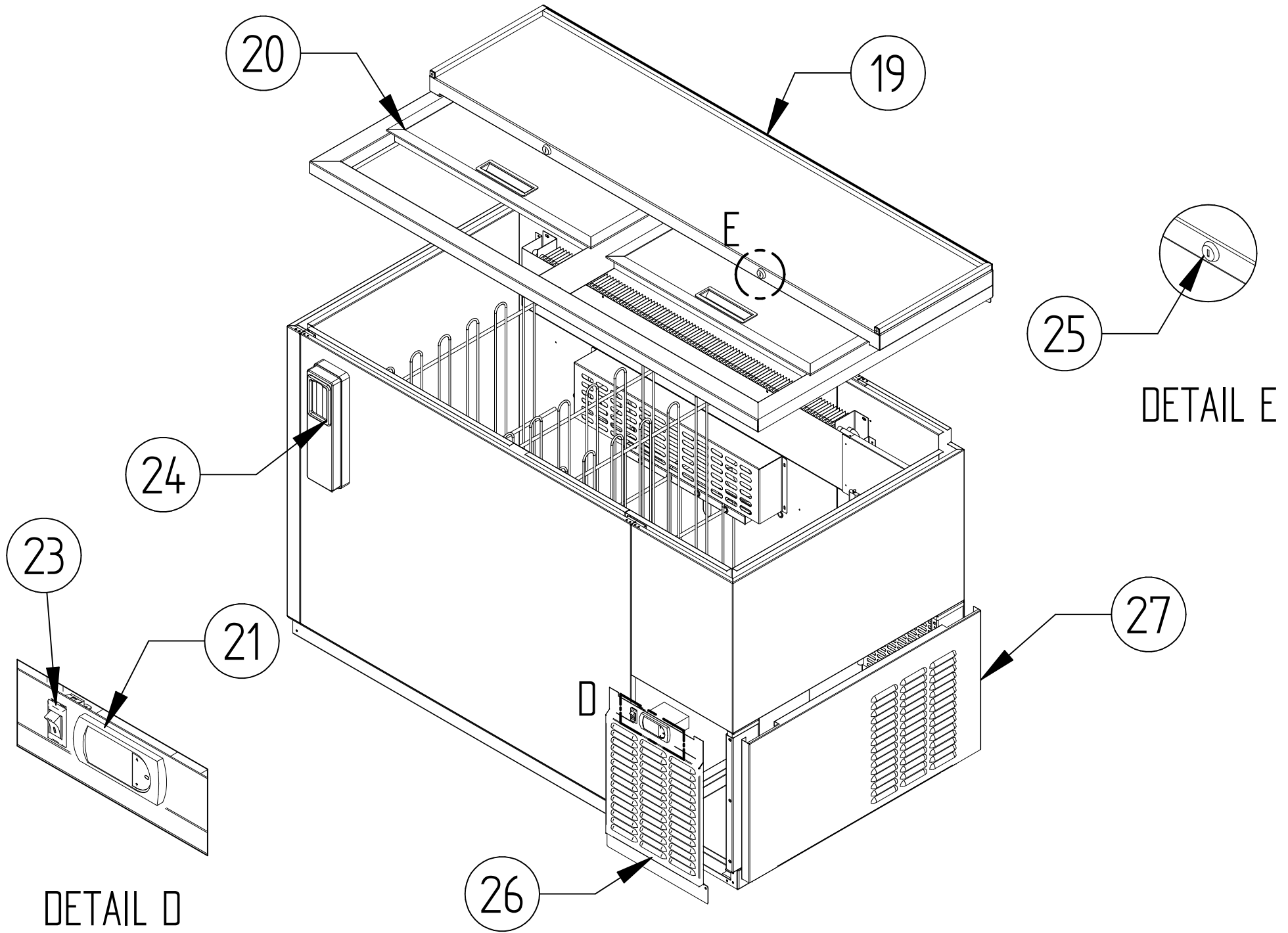


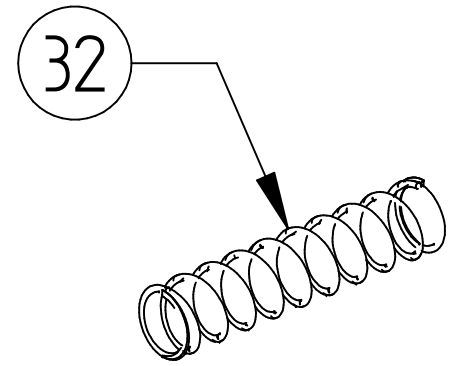
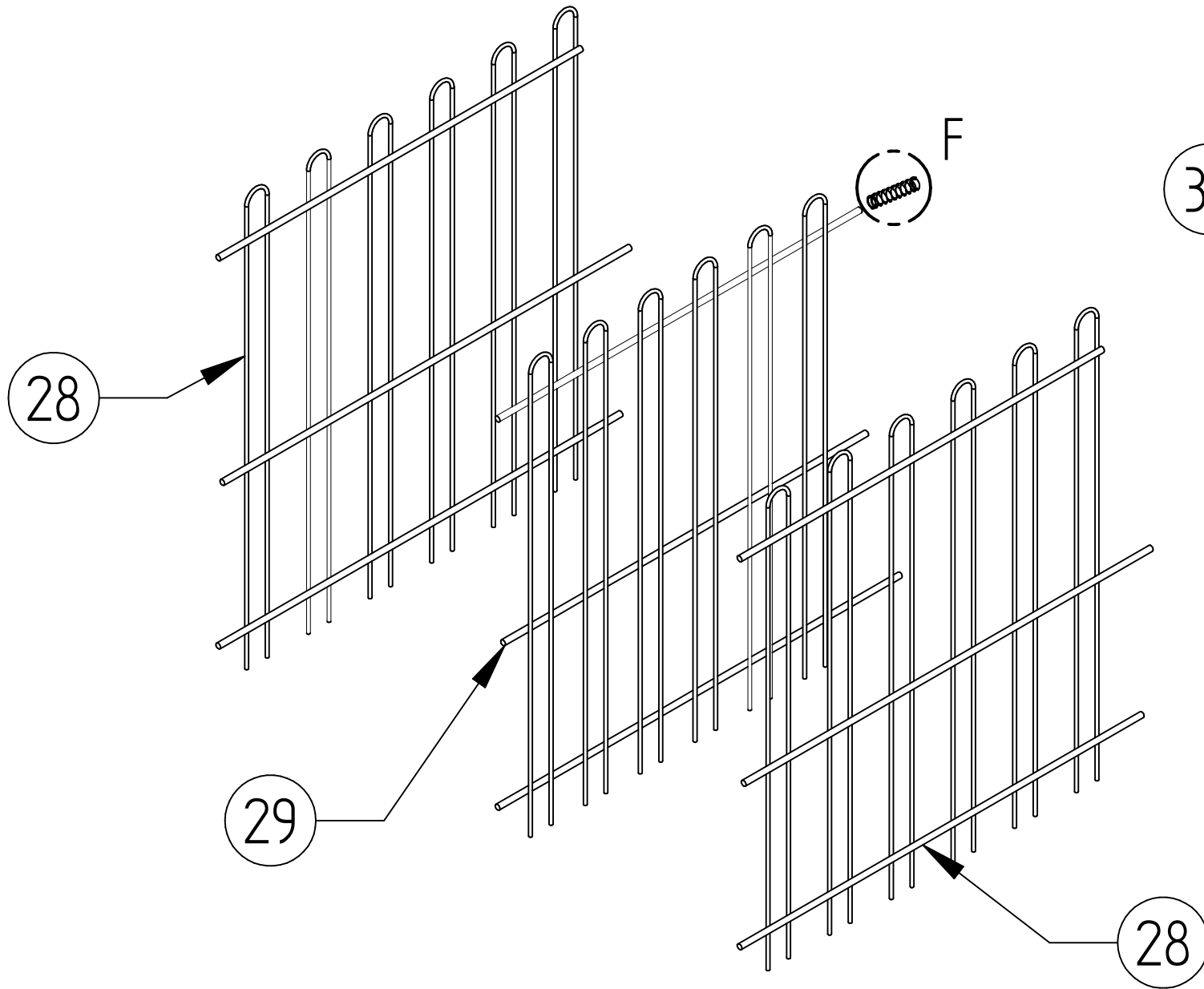
REFERENCE PICTURE

DETAIL A

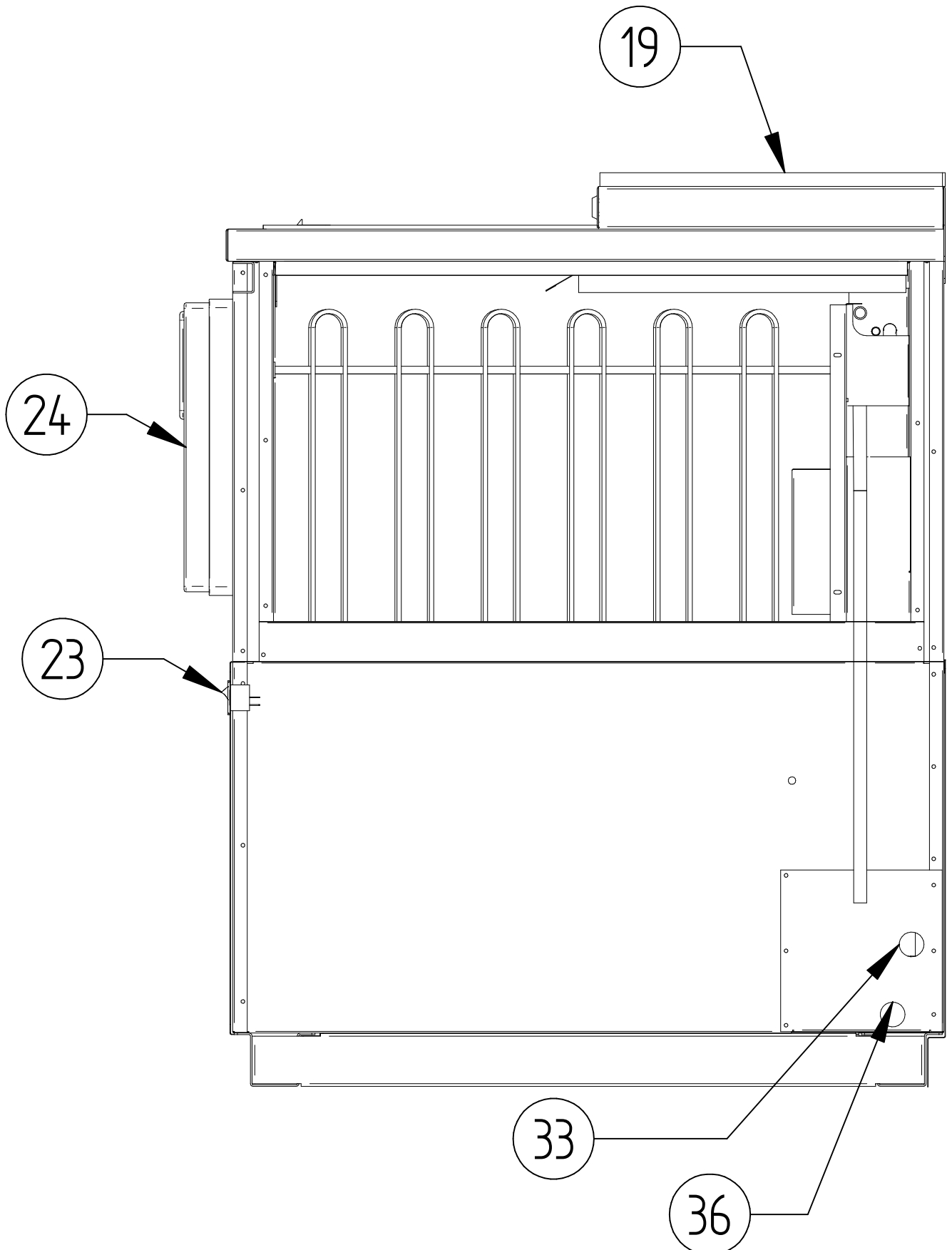








DETAIL F



# ITEM	PART NUMBER	DESCRIPTION	HBC-50	HBC-65	HBC-80	HBC-95
Condensing Units						
CONDENSING UNIT						
1	12195746	DECK	1	1	1	1
2	12190505	COMPRESSOR 115V	1	1	1	1
	12213604	START KIT	1	1	1	1
3	12190809	CONDENSER	1	1	1	1
4	12188004	FILTER	1	1	1	1
5	12206487	FAN SUPPORT	1	1	1	1
6	12190018	FAN BLADE	1	1	1	1
7	12190510	FAN	1	1	1	1
8	12200626	POWER CORD (SPIDER HUB)	1	1	1	1
9	12037369	SERVICE VALVE	1	1	1	1
10	12189560	AUTOMATIC DRAIN PAN	1	1	1	1
11	12190429	HEAT EXCHANGER	1	1	1	1
Evaporation Units						
EVAPORATION UNIT						
12	12190774	EVAPORATOR COIL	1			
13	12195455	FAN GRID	1			
14	12191476	FAN	2			
15	12195489	EVAPORATION TRAY	1			
16	12195488	EVAPORATOR PROTECTOR	1			
17	12195456	GRID SUPPORT	1			
18	12189570	GROMMET	1			
EVAPORATION UNIT						
12	12190778	EVAPORATOR COIL		1	1	1
13	12195455	FAN GRID		1	1	1
14	12191476	FAN		2	2	2
15	12195457	EVAPORATION TRAY		1	1	1
16	12195453	EVAPORATOR PROTECTOR		1	1	1
17	12195456	GRID SUPPORT		1	1	1
18	12189570	GROMMET		1	1	1

# ITEM	PART NUMBER	DESCRIPTION	HBC-50	HBC-65	HBC-80	HBC-95
Top						
19	12204731	TOP 50"	1			
	12204732	TOP 65"		1		
	12204733	TOP 79"			1	
	12201959	TOP 95"				1
Doors & Others						
20	12201950	DOOR 50"	2			
	12202711	DOOR 65"		2		
	12202716	DOOR 79"			3	
	12202692	DOOR 95"				3
Controllers & Other						
21	12188079	CAREL CONTROLLER	1	1	1	1
22	12188080	PROBE NTC030HP00 CAREL	1	1	1	1
23	12190513	ROCKET SWITCH	1	1	1	1
Accessories						
24	12190077	CAP CATCHER	1	1	1	1
25	12190864	LOCK	2	2	3	3
	12194900	LOCK PIN	2	2	3	3
Panels						
26	12196199	FRONTAL PANEL	1	1	1	1
27	12196171	SIDE PANEL	1	1	1	1
Grids						
28	12190664	LEFT/RIGHT GRID	2	3	6	6
29	12190665	CENTRAL GRID	1	1	1	1
30	12189964	PLASTIC GROMMET	30	45	60	72
31	12190644	SPRING	3	4	7	7
Drain						
32	12189597	DRAIN HOSE	2.4	2.6	2.8	2.9
33	12190460	COUPLE FITTING	1	1	1	1
34	12191224	DRAIN	2	2	2	2
35	12189956	PLASTIC SEAL	2	2	2	2
36	12190036	GROMMET	2	2	2	2

HOSHIZAKI AMERICA, INC.

618 Hwy. 74 South, Peachtree City, GA 30269 USA (P) 770.487.2331 (F) 770.487.3360 hoshizakiamerica.com