

Amana® Commercial

Project #: _____

Item #: _____



Market Region: North America

Chef Line | Heavy Volume
This category of microwave oven is ideal for...

Applications

- Fast casual dining
- Prep stations
- Bars & grills
- Quick service restaurants
- Casual dining
- Convenience stores
- Bakery cafés
- Kiosks
- Food courts

Through put potential by oven wattage (items per hour)

Food item	1000W	1200W	1800W
Steamed Shrimp (8oz (227g))	22	23	33
Scrambled Eggs (4oz (120g))	48	51	65
Steamed Rice (8cups (1.2kg))	2	3	5
1 Baked potato (9oz (255g))	17	18	21
Salmon fillet (8oz (227g))	19	20	26
Chocolate Cake in a Cup	57	60	80
Fresh Steamed Veggies (6oz (170g))	45	48	65
Asparagus (8oz (227g))	29	30	45
Dumplings (6ea)	19	19	24

All ACP, Inc. commercial ovens are supported by our Culinary Center. Do not hesitate to contact us for any questions regarding food preparation, menu development and cooking times: testkitchen@acpsolutions.com



Heavy Volume

Amana® Commercial HDC-Y Series

Power Output

- 1000-1800 Watts of power
- Unique method of microwave energy distribution provides superior even heating throughout the entire cavity

Multi-language universal operation, with programming flexibility

- Oven interface and programming software supports 24 languages
- Smart USB connectivity standard
- Compatible with ACP Programming Application

Easy to Use

- Control panel located on bottom for convenient access when installed on shelf
- Up to 100 programmable menu items simplifies cooking
- 11 power levels and 4 cooking stages for cooking flexibility
- Multiple quantity function automatically calculates cooking times for multiple portions
- Automatic Voltage Sensor adjusts to the power supply (*North America only >1200W*)
- See-through door and lighted interior for monitoring without opening the door
- Ample 0.6 cubic ft. (17 liter) capacity accommodates a standard half-sized pan
- Stackable to save valuable counter space

Easy to Maintain

- Stainless steel exterior and interior for easy cleaning and increased durability
- Two side-mounted, removable, cleanable air filter protect oven components
- Constructed to withstand the foodservice environment, multiple users and variable ambient temperatures
- Gasket sealed Borosilicate Glass tray for easy cleaning
- Interlock switch assembly is engineered for maximum durability and long life

Optional Accessories

- Cavity shelf (SE10)
- Stainless cart/equipment stands: (CA24, CA30)
- Non-stick baskets (TB10/S, SB10/S, MB10/S)
- Oven Cleaner and Shield Protectant (CL10, SH10)

Service

All products are backed by the ACP, Inc. 24/7 ComServ Support Center



Warranty

Warranty Certificate for this product can be found on the ACP, Inc. website at www.acpsolutions.com/warranty



Safety and Sanitation

This ACP, Inc. product meets and exceeds safety and sanitation standards set for commercial microwave ovens by UL, ETL, NSF, CSA, and FDA.

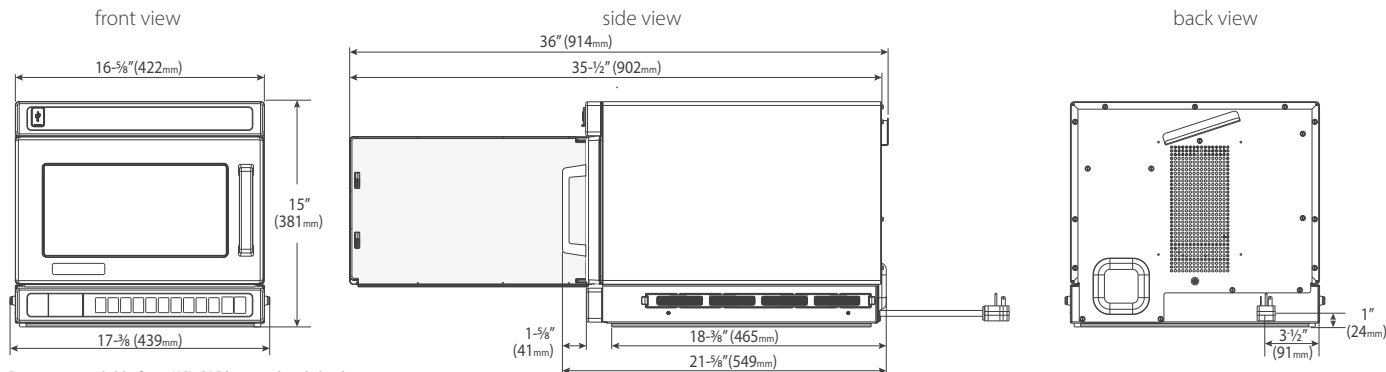


AIA File #:

Specification #:



© 2020 ACP, Inc.
Cedar Rapids, Iowa 52404



Drawings available from KCL CADlog - techs@kclcad.com

Dimensions		
Exterior	Height	15" (381)
	Width ‡	17 5/8" (439) ‡
	Depth †	21 5/8" (549) †
Cavity	Height	6 3/4" (171)
	Width	13" (330)
	Depth	12" (305)
Usable Cavity Space	0.6 cubic ft. (17 liter)	
Door Depth	36" (914), 90°+ door open	
Installation Clearance	Top	2" (51)
	Sides	1" (25)
	Back	None
Shipping Carton	Height	19 1/8" (485.8)
	Width	22" (558.8)
	Depth	25 1/2" (647.7)
Weight		
Product Weight	Ship weight (approx.)	UPS Shippable
71 lbs (32.2kg)	77 lbs (34.9kg)	Yes, ISTA 1A

Features	
Configuration	Countertop or shelf
Stackable	Yes
Display	LCD
Control System	Touchpad
Programmable Control	Yes, 10 pads
Braille	Overlay available
Settings Programmable	100
Max. Cooking Time	60:00
Microwave Distribution	Double rotating antennas, top and bottom
Power Levels	11
Defrost	Yes, power level 2
Time Entry Option	Yes
Multiple Portion Setting	Yes, X2 by default, optional up to X9
Stage Cooking	4 stages
Interior Light	Yes, LED
Automatic Voltage Sensor	Yes (North America only >1200W)
Air Filter	Yes, 2 removable
Signal	End of cycle, adjustable
Door Handle	Grab & Go
Exterior Finish	Stainless steel
Interior Finish	Stainless steel with gasket sealed borosilicate tray

Measurements are US Standard. Measurements in () are in millimeters

* IEC 60705 Tested

† Includes handle

‡ Includes filters

Electrical Configuration										
Region	Model#/UPC	Automatic Voltage Sensor	Power Consumption	Power Output (microwave)	Power Source	Plug Configuration	Cord Length	Frequency	Magnetron	
North America single phase	HDC10Y15 728028470970	No	1610W, 14.4 A	1000W*	120V, 60Hz, 15A, single phase	NEMA 5-15P	5 ft. (1.5m)	2450MHz	2	
North America single phase	HDC12YA2 728028470994	No	2000W, 16.8 A	1200W*	120V, 60Hz, 20A, single phase	NEMA 5-20	5.5 ft. (1.7m)	2450MHz	2	
North America single phase	HDC18Y2 728028471007	Yes	3000W, 14.4 A	1800W*	208/240V, 60Hz, 20A, single phase	NEMA 6-20	5.5 ft. (1.7m)	2450MHz	2	

Specification #:

AIA File #:



225 49th Ave. Dr. SW, Cedar Rapids, IA 52404 U.S.A.
800-233-2366 • 319-368-8120 • Fax: 319-368-8198
www.acpsolutions.com

Part No. 20271313

Updated 10/12/2020

© 2020 ACP, Inc., Cedar Rapids, Iowa 52404

an Ali Group Company



The Spirit of Excellence