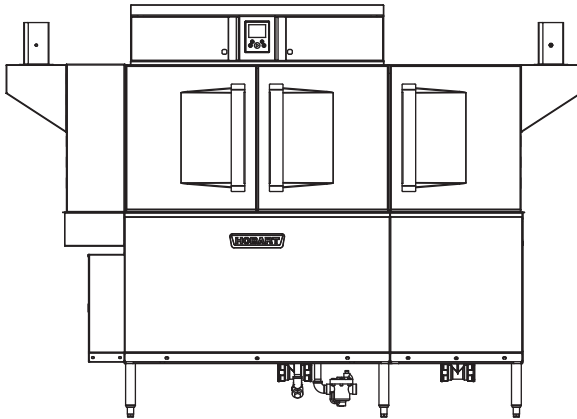




Project \_\_\_\_\_  
 AIA # \_\_\_\_\_ SIS # \_\_\_\_\_  
 Item # \_\_\_\_\_ Quantity \_\_\_\_\_ C.S.I. Section 114000



## CL76-DWR STEAM High Temperature Rack Conveyor Dishwashing Machine



### SPECIFIER STATEMENT

Specified dishwasher will be Hobart CL76 Drain Water Energy Recovery steam tank heat model. Features include Drain Water Energy Recovery (DWER), Complete Delime™ with Delime Notification, Auto Dispensing and Booster Guard™, capless anti-clogging wash arms, 245 racks per hour, 114 gallons per hour pumped final rinse, insulated ergonomic cabinet style doors, touchscreen controls with WiFi connectivity, and NSF approved pot and pan cycle mode. The wash tank utilizes durable precision pressure sensor monitors in lieu of conventional mechanical floats. The 19.5" standard chamber height will accommodate up to (6) standard sheet pans at a time on an open-end sheet pan rack.

### STANDARD FEATURES

- + 114 gallons per hour pumped final rinse
- + 245 racks per hour
- + 22" power scrapper
- + Drain Water Energy Recovery (DWER)
- + Drain water tempering kit (factory installed)
- + Complete Delime™ with Delime Notification, Auto Dispensing and Booster Guard™
- + Internal stainless steel pressure-less 24 kW booster heater (70°F rise)
  - Single point electrical connection standard
- + Capless, anti-clogging wash arms
- + Self-aligning wash manifolds
- + Large double door opening for ease of cleaning
- + 19.5" chamber height opening (accepts sheet pans)
- + Doors are insulated & hinged with door interlock switches
- + User-friendly smart touchscreen controls with diagnostics & troubleshooting
- + WiFi connectivity
- + SmartConnect app and cloud with machine status, temperature logs, error code reporting, and cost, consumption and usage analysis
- + Energy saver mode (programmable auto-shut down)
- + NSF rated configurable pot and pan cycle
- + Stainless steel self-draining pump and impeller
- + Sloping scrap screens and deep scrap baskets
- + Rapid return conveyor drive mechanism
- + Service diagnostics
- + Door actuated drain closure
- + Vent fan control

### OPTIONS & ACCESSORIES (Available at extra cost)

- Standard, short, and extended stainless steel vent hoods
- Direct drive unloader – adds 38" length; Reference spec F48944 for more details
- Side loader – SL23 adds 23" length, SL30 adds 30" length; Reference specs F40926 and F40927 for more details
- + Blower-dryer – adds 33¼" to length; Reference spec F48945 (electric blower-dryer) and F48950 (steam blower-dryer) for more details (ships separate from dishmachine, contact Hobart Service for installation)
- Flanged feet kit (requires three kits)
- Higher than standard chamber (24" opening)
- External #150 steam booster heater
- Table limit switch with 20' cable
- Correctional package (factory installed, contact Hobart for details)
- Water hammer arrester
- Factory-mounted circuit breakers (contact Hobart for details)

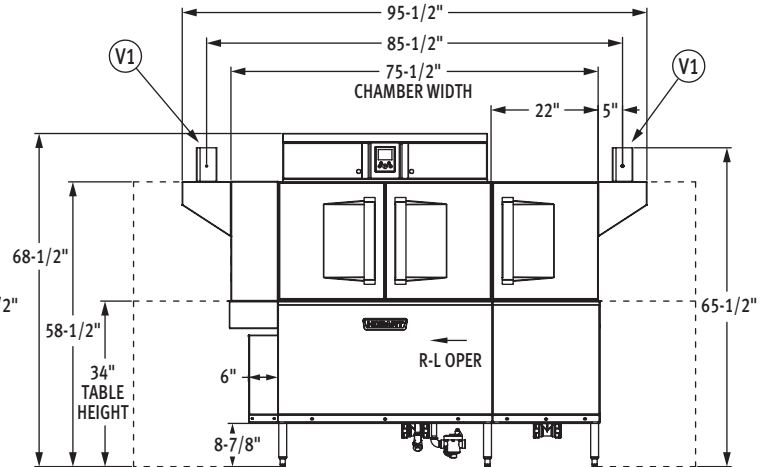
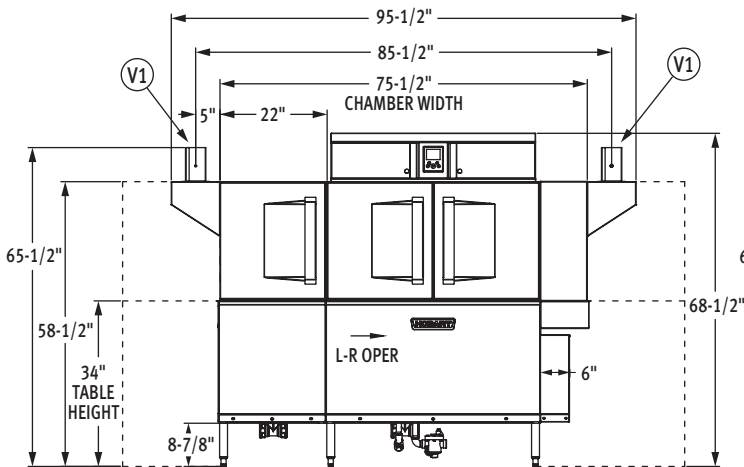
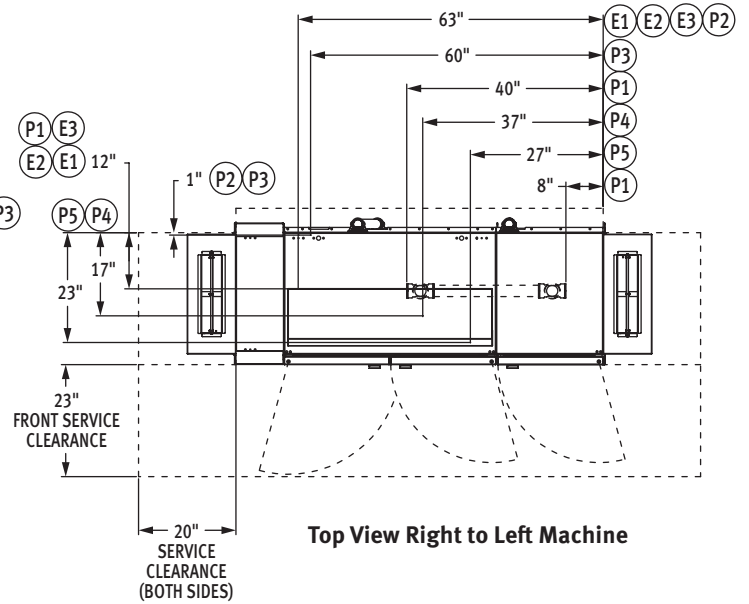
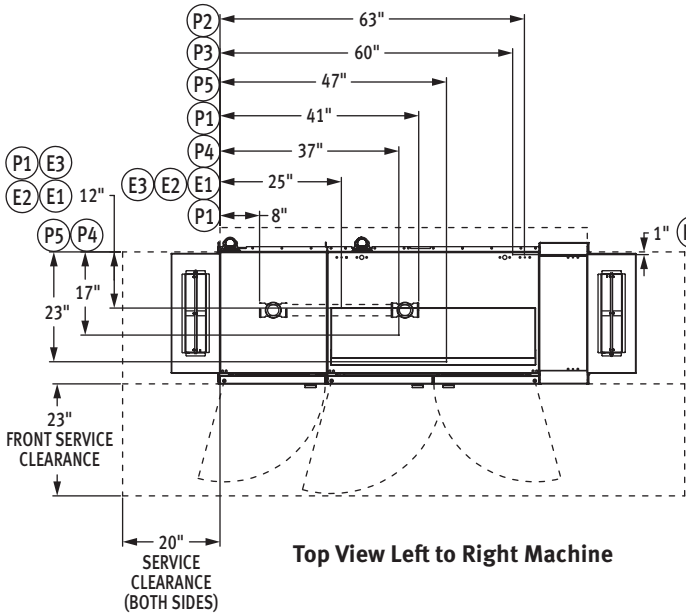
CL SERIES – CL76-DWR STEAM

Approved by \_\_\_\_\_ Date \_\_\_\_\_ Approved by \_\_\_\_\_ Date \_\_\_\_\_



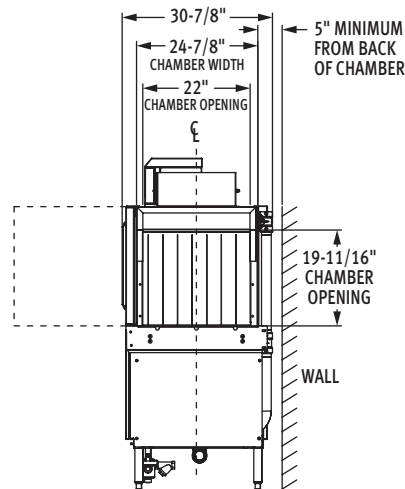
# CL76-DWR STEAM

## High Temperature Rack Conveyor Dishwashing Machine



Front View Left to Right Machine

Front View Right to Left Machine



Side View

MODEL:  
CL76-DWR STEAM  
L-R OPERATION  
00-563925  
REV A

MODEL:  
CL76-DWR STEAM  
R-L OPERATION  
00-563925  
REV A



# CL76-DWR STEAM

## High Temperature Rack Conveyor Dishwashing Machine

### LEGEND

| Electrical Connections             |  |
|------------------------------------|--|
| SINGLE POINT CONNECTION            |  |
| E1                                 | Electric connection, single point: motors, controls, with 24kW electric booster heater, 65" AFF.   |
| DUAL POINT CONNECTION WITH BOOSTER |  |
| E2                                 | Electric connection: motors, 62" AFF.  |
| E3                                 | Electric connection: controls, 24kW booster heater, 65" AFF.   |
| Plumbing Connections               |  |
| P1                                 | Drain: 2" FPT, 7-3/8" AFF, two possible connections; may be drained to either side of drain housing, plug opposite side.   |
| P2                                 | Hot water connection: 1/2" FPT, 12" AFF. 24kW booster, 110°F minimum.  |
| P3                                 | Cold water connection: 1/2" FPT, 12" AFF, 55°F minimum.  |
| P4                                 | Steam coils: 10 to 50 PSI flowing, 3/4" FPT, 6" AFF.   |
| P5                                 | Condensate return: a 10 PSI minimum differential pressure across the steam trap must be maintained. 3/4" FPT, 5" AFF, one connection (one bucket type trap furnished). |
| Vent Connections                   |  |
| V1                                 | Optional vent hoods: 4" x 16" vent stack with damper. Load end 200 CFM, unload end 400 CFM.  |

### SPECIFICATIONS

#### Capacities

|                                  |     |
|----------------------------------|-----|
| Racks per Hour (NSF rated)       | 245 |
| Wash Tank (U.S. gallons)         | 23  |
| Power Scrapper (U.S. gallons)    | 23  |
| Conveyor Speed (feet per minute) | 6.8 |

#### Motor Horsepower

|                             |     |
|-----------------------------|-----|
| Drive                       | 1/6 |
| Wash                        | 2   |
| Power Scrapper              | 2   |
| Final Rinse                 | 2/3 |
| Drain Water Energy Recovery | 1/5 |

#### Water Consumption

|   |      |
|---|------|
| U.S. Gallons per Hour                     | 114  |
| U.S. Gallons per Rack                     | 0.47 |
| Peak Drain Flow (U.S. gallons per minute) | 38   |

#### Heating

|  |    |
|--|----|
| Tank Heat, Steam Coils (pounds per hour)       | 65 |
| Electric Booster (built-in) (kW for 70°F rise) | 24 |

#### Venting

|                          |     |
|--------------------------|-----|
| Load End (minimum CFM)   | 200 |
| Unload End (minimum CFM) | 400 |

Shipping Weight (approximate) . . . . .935 lbs.

Crated Dimensions . . . . . 92"L x 38"W x 79"H

| E1       | Single Point Electrical Connection with Internal Booster |  |
|----------|--|--|
| Voltage  | (E1) Motors, Controls, 24kW Booster Heater               |  |
|          | Rated Amps   | Minimum Supply Circuit Ampacity/ Maximum Protective Device |
| 208/60/3 | 87.3   | 100  |
| 240/60/3 | 76.6   | 90   |
| 480/60/3 | 40.5   | 50   |

| E2       | Dual Point Electrical Connection with Internal Booster (Field Conversion Only) |  |                                    |  |
|----------|--|--|------------------------------------|--|
| E3       | (E2) Motors  |  | (E3) Controls, 24kW Booster Heater |  |
| Voltage  | Rated Amps   | Minimum Supply Circuit Ampacity/ Maximum Protective Device | Rated Amps                         | Minimum Supply Circuit Ampacity/ Maximum Protective Device |
|          | 208/60/3   | 12.2   | 15                                 | 75.1   |
| 240/60/3 | 10.4   | 15   | 66.2                               | 80   |
| 480/60/3 | 6.0  | 15   | 34.5                               | 40   |

**WARNING:** Electrical and grounding connections must comply with the applicable portions of the National Electrical Code and/or other local electrical codes.

**CAUTION:** Certain materials including silver, aluminum, and pewter are attacked by sodium hypochlorite (liquid bleach).

**ATTN:** Plumbing connections must comply with applicable sanitary, safety and plumbing codes.



# CL76-DWR STEAM High Temperature Rack Conveyor Dishwashing Machine

**Plumbing Notes:** Water hammer arrestor (meeting ASSE-1010 standard or equivalent) to be supplied (by others) in common water supply line at service connection.

Recommended water hardness to be 3 grains or less for best results.

110°F minimum incoming hot water temperature.

Building flowing water pressure to dish machine is 25 to 65 PSI at the machine.

For convenience when cleaning, water tap should be installed near machine with heavy duty hose and squeeze valve.

Flowing steam pressures above 50 PSI must have a pressure regulator (by others) installed in the steam line.

Shut off valve must be supplied (by others) in the steam line to the dishwasher.

Tank heat, steam coils (pounds per hour) – 65.

**Miscellaneous Notes:** All dimensions taken from floor line may be increased approximately 3/4" or decreased 1/2".

For HTS, add 4-5/16" to all dimensions above table line.

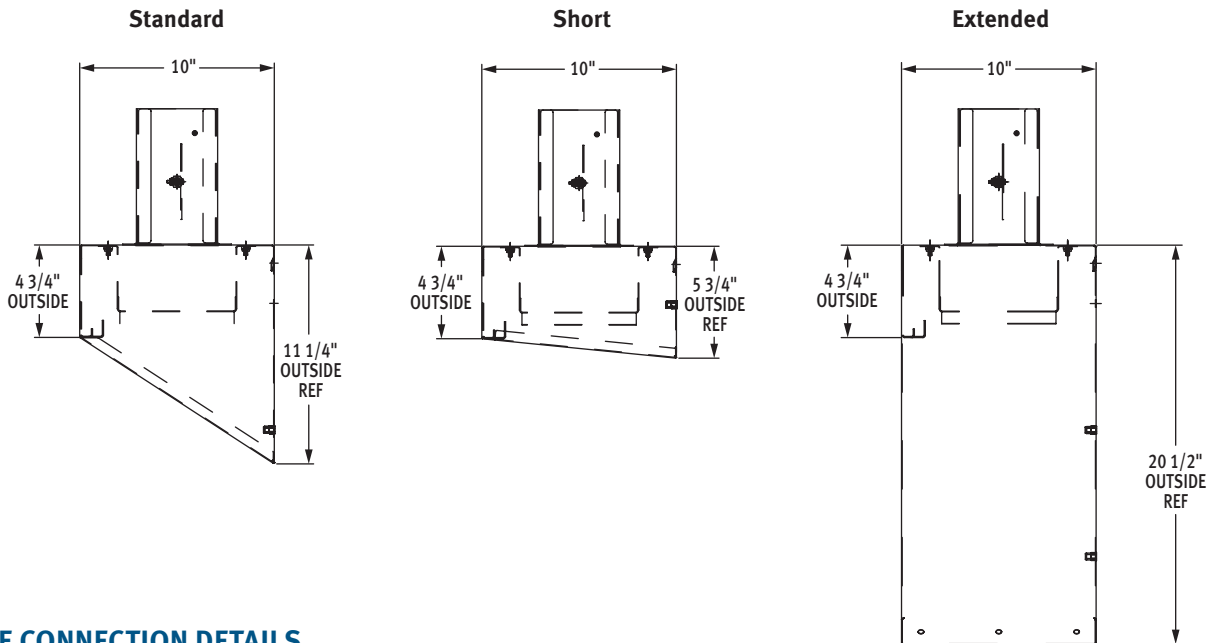
For HTS, add **TBD** to the domestic shipping weight of each model.

**Electrical Note:** Dishmachine not provided with internal GFCI protection.

| CL76-DWR Steam Heat Dissipation |         |          |
|---------------------------------|---------|----------|
| Booster                         | BTU/HR. |          |
|                                 | Latent  | Sensible |
| 24kW Booster                    | 41,700  | 17,900   |

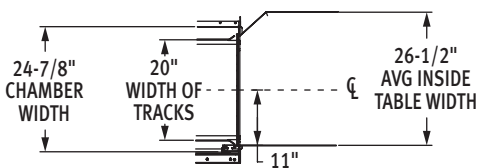
**NOTE:** Additional Voltages and Amperages are available, see document F48913.

## VENT HOOD OPTIONS (Adjustable, vent stack can be adjusted 1" to either side)

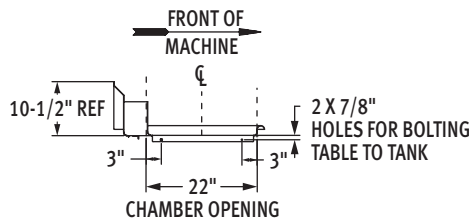


## TABLE CONNECTION DETAILS

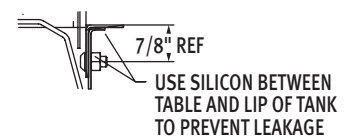
**Tabling Connection: 44" inside tank  
(at table connection)**



**Suggested Track and Table Layout**



**View Showing Hole Locations in  
Turned Down Portion of Table**



**Sectional View Showing  
Table Connections**

As continued product improvement is a policy of Hobart, specifications are subject to change without notice.