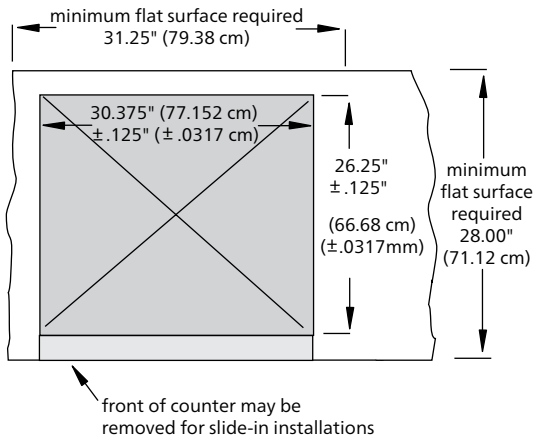


Vision™ ice and beverage dispensers

counter cutout detail and clearance requirements

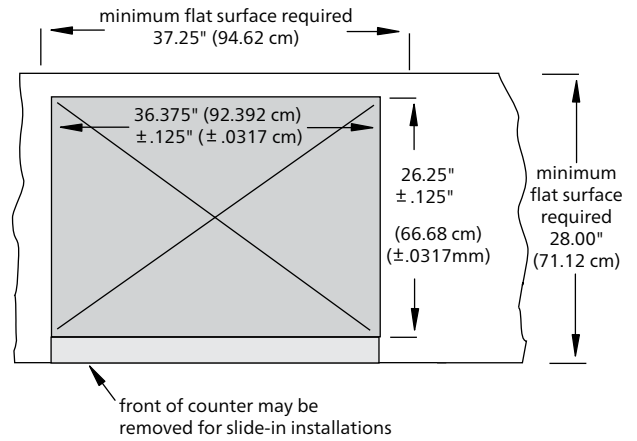
VU155N and VU155 series with 8 valves and CVU155N series drop-in installation

Plan View



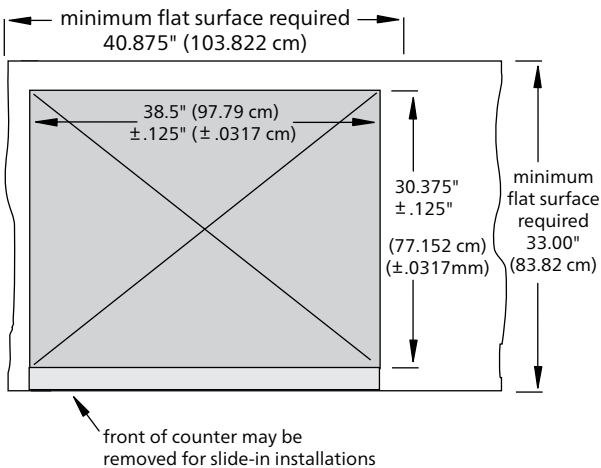
VU155 series with 10 valves drop-in installation

Plan View



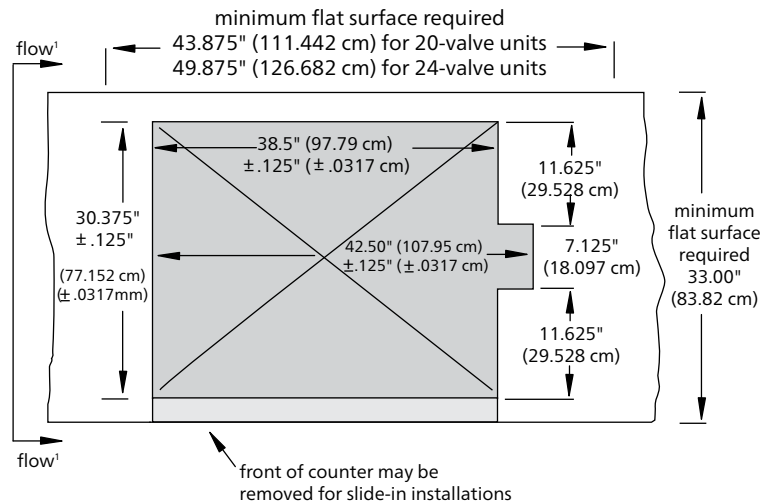
VU300 and CVU300 series drop-in installation

Plan View



VUD300 series (dual-sided dispensing) drop-in installation

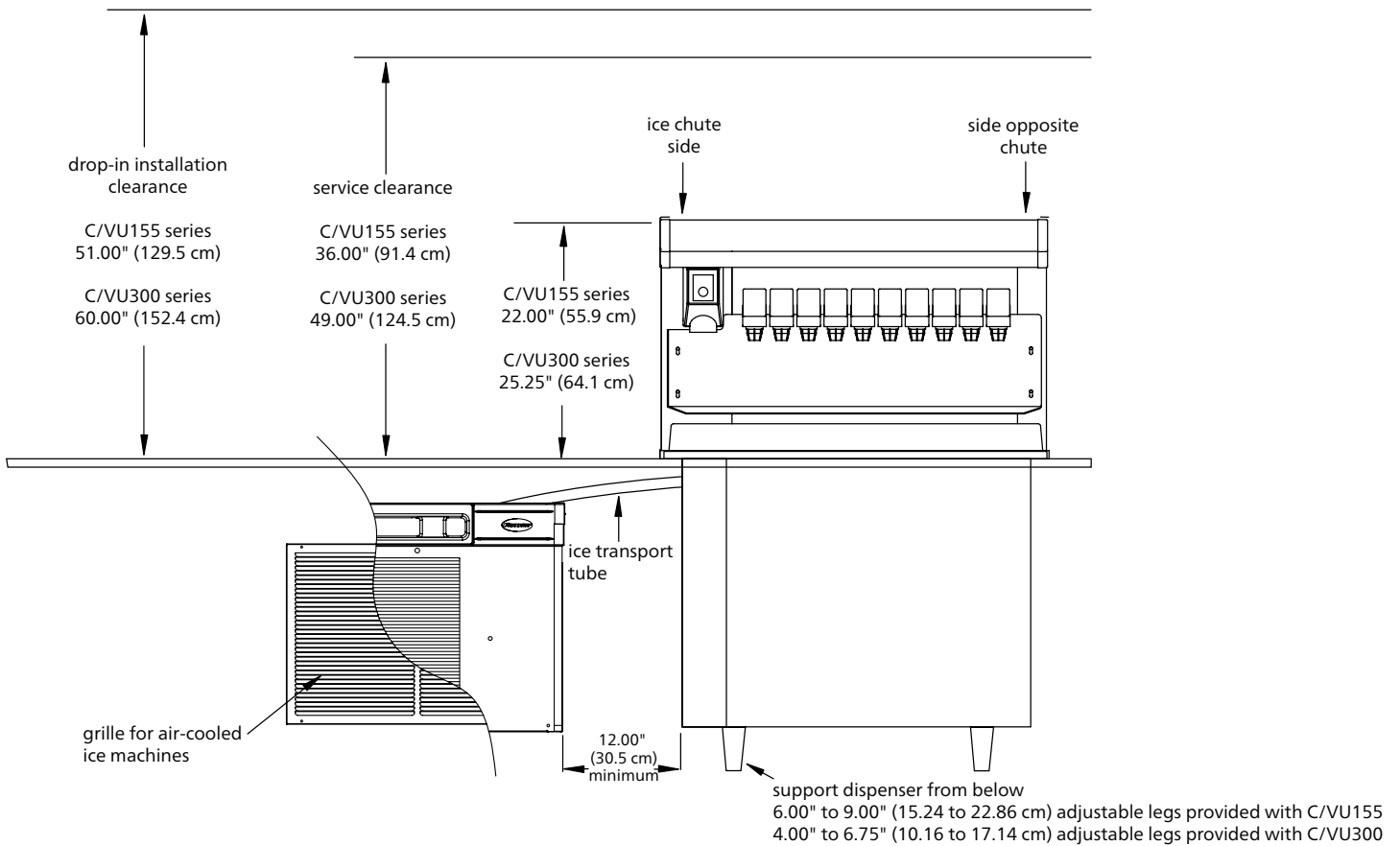
Plan View



¹NOTE: Cutout accommodates flow pattern shown (ice first, then beverage). Reverse cutout for opposite flow.

Dispenser clearance information

Front View



Clearance and support requirements²

	VU155 and CVU155 series	VU300 and CVU300 series	VU300MD series
Dispenser			
Above counter for drop-in installations	51.00" (129.5 cm)	60.00" (152.4 cm)	60.00" (152.4 cm)
Above counter for services access (auger removal)	36.00" (91.4 cm)	49.00" (124.5 cm)	49.00" (124.5 cm)
Side of dispenser opposite ice chute	12.00" (30.5 cm)	Zero clearance required. 6.00" (15.24 cm) clearance required if tube enters this side.	12.00" (30.5 cm)
Side of dispenser with ice chute	Zero clearance required. 6.00" (15.24 cm) clearance required if tube enters this side.	12.00" (30.5 cm)	12.00" (30.5 cm)
Removable counter panel for access	Side opposite ice chute	Ice chute side	Both sides
Support requirement for dispenser	Legs or channels	Legs or channels	Legs or channels
Ice machine			
Between ice machine and dispenser	12.00" (30.5 cm) if utilities are on same side	12.00" (30.5 cm) if utilities are on same side	12.00" (30.5 cm)
Between two ice machines	1.00" (2.54 cm)	1.00" (2.54 cm)	1.00" (2.54 cm)
Above ice machines	1.00" (2.54 cm)	1.00" (2.54 cm)	1.00" (2.54 cm)
Counter depth for ice machines	24.00" (61.0 cm)	24.00" (61.0 cm)	24.00" (61.0 cm)
Maximum counter thickness for ice tube entry	1.50" (3.81 cm)	1.375" (3.49 cm)	1.375" (3.49 cm)
Support requirements for ice machines	Machine stand or channels	Machine stand or channels	Machine stand or channels

² Contact factory if these conditions cannot be met.

Vision is a trademark of Follett LLC.

Follett is a registered trademark of Follett LLC, registered in the US.

Follett reserves the right to change specifications at any time without obligation. Certifications may vary depending on country of origin.

Vision counter cutout and clearance requirements