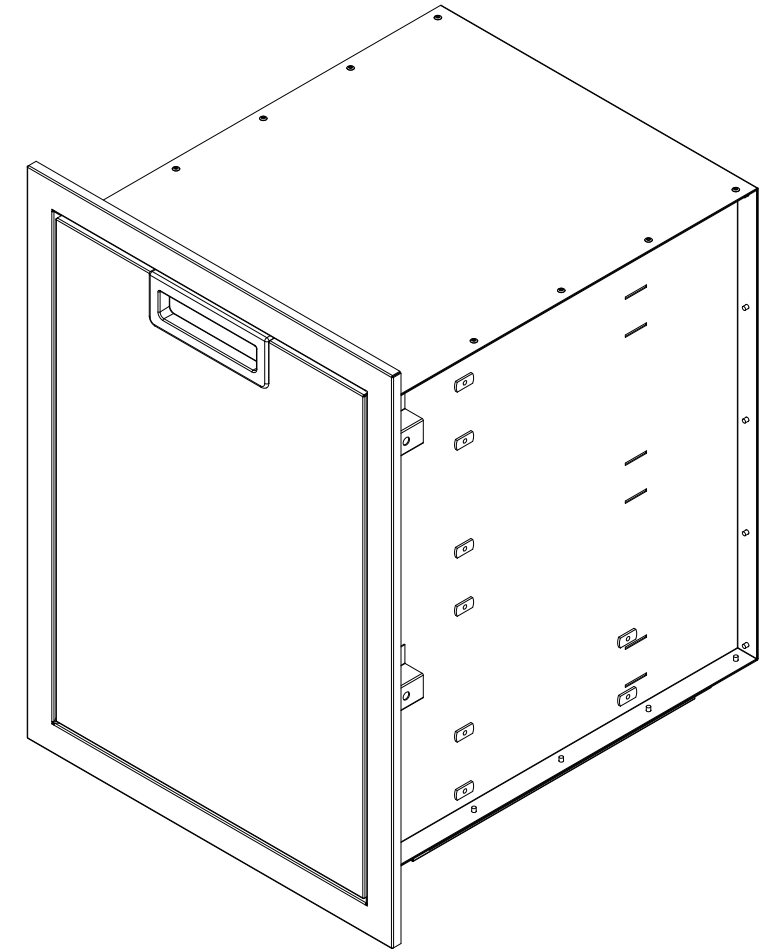
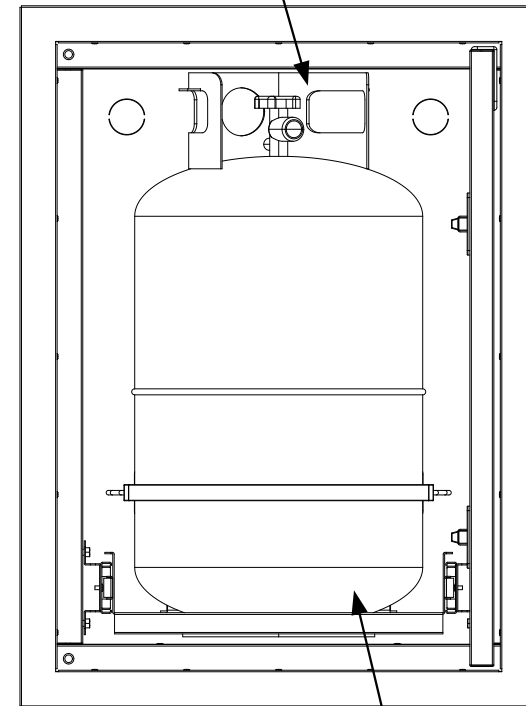
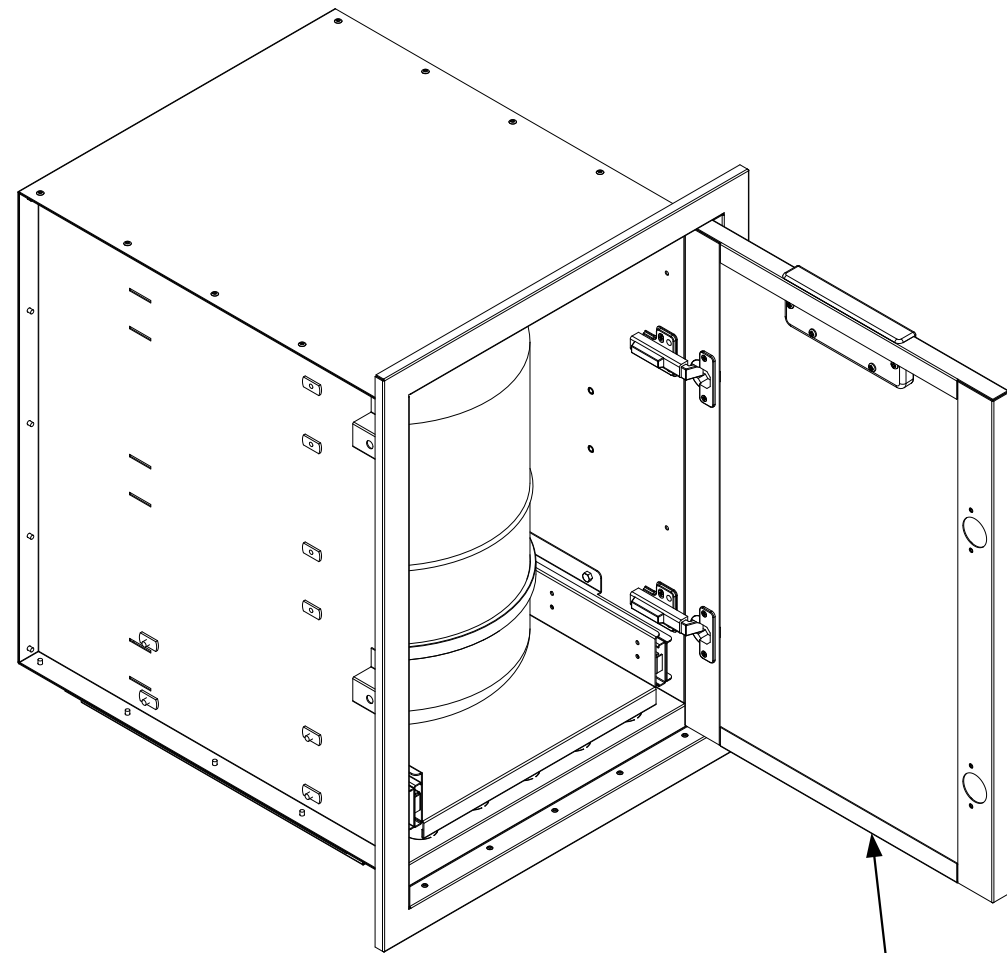


REVISION HISTORY			
REV	DESCRIPTION	DATE	APPROVED
-	Engineering Release	01/01/2020	Todd Stone

Propane cabinet shown (IBILC-PH). Cabinet can be ordered with optional drawer (IBILC-PH-1D) or the drawer can be added at a later date.



Door shown with righthand mounting option. Door hardware can be switched for a lefthand mount

30 lbs. Propane tank shown. The cabinet can only support a 20 lbs. tank when the single drawer option is added.

CROWN VERITY

37 Adams Blvd., Brantford, Ontario, N3S 7V8
P: (519) 751-1800 www.crownverity.com

Suggested Cut-out Dimensions	
Height	26.625
Width	18.938
Depth	23.000
Material	SS 304

Dimensions are in inches
Linear Tolerance: +/- .015
Bend Tolerance: +/- .020
Angular Tolerance: +/- 0.5
Radial Tolerance: +/- .005

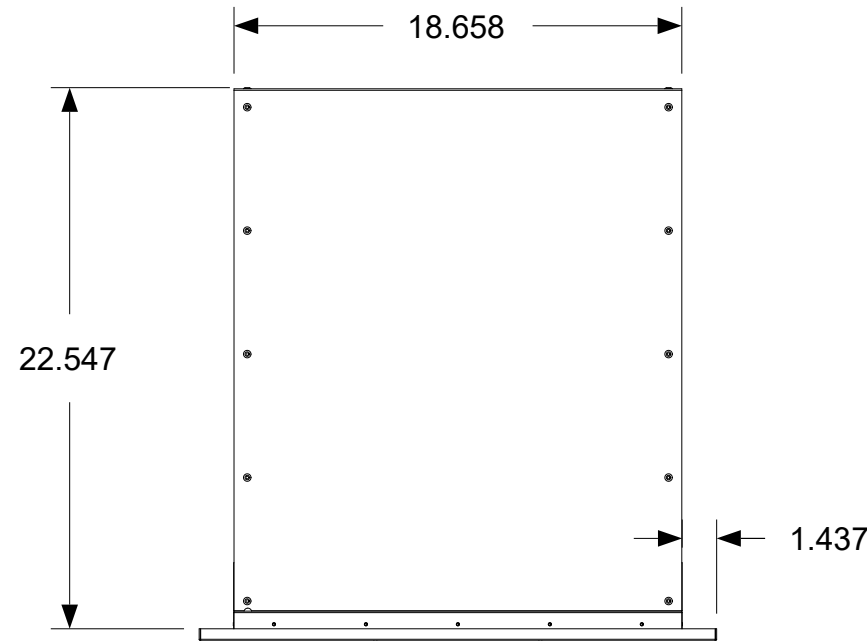
DRAWN BY: Todd Stone

TITLE **Infinite Built-In Storage Cabinet-Large with Propane Drawer**

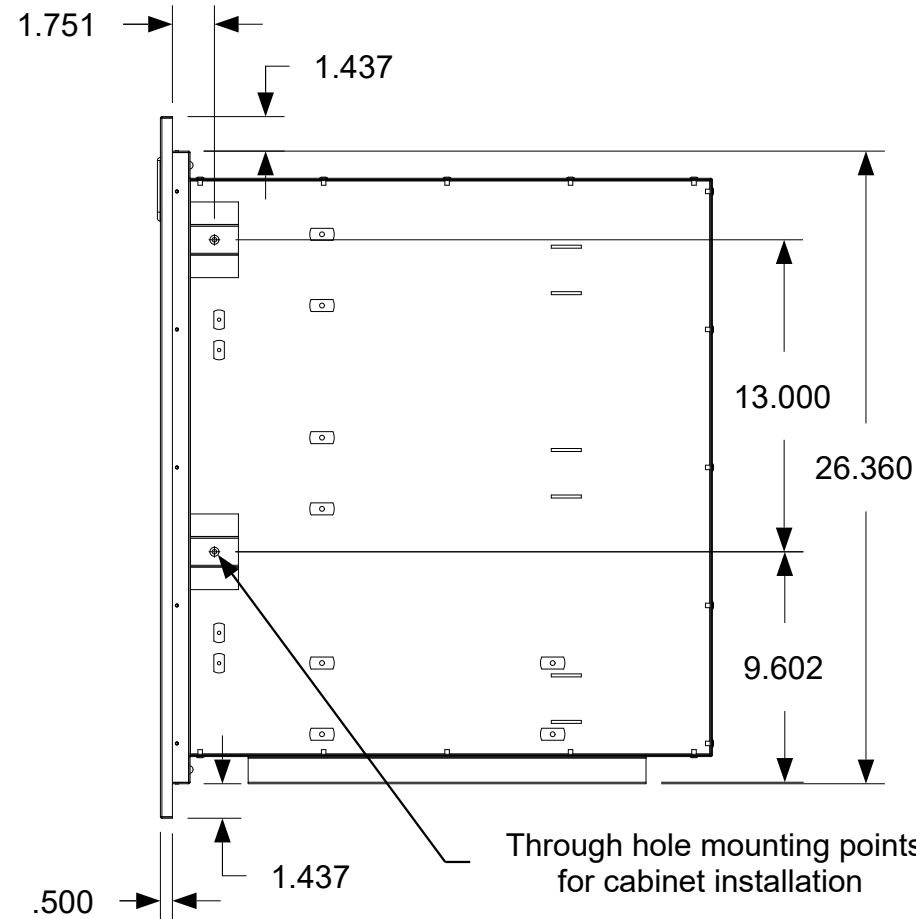
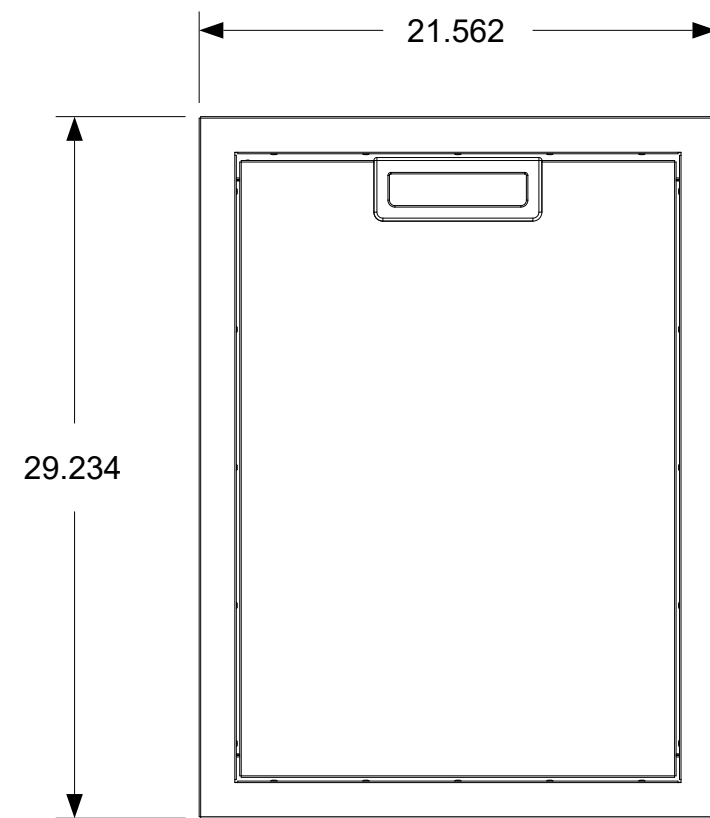
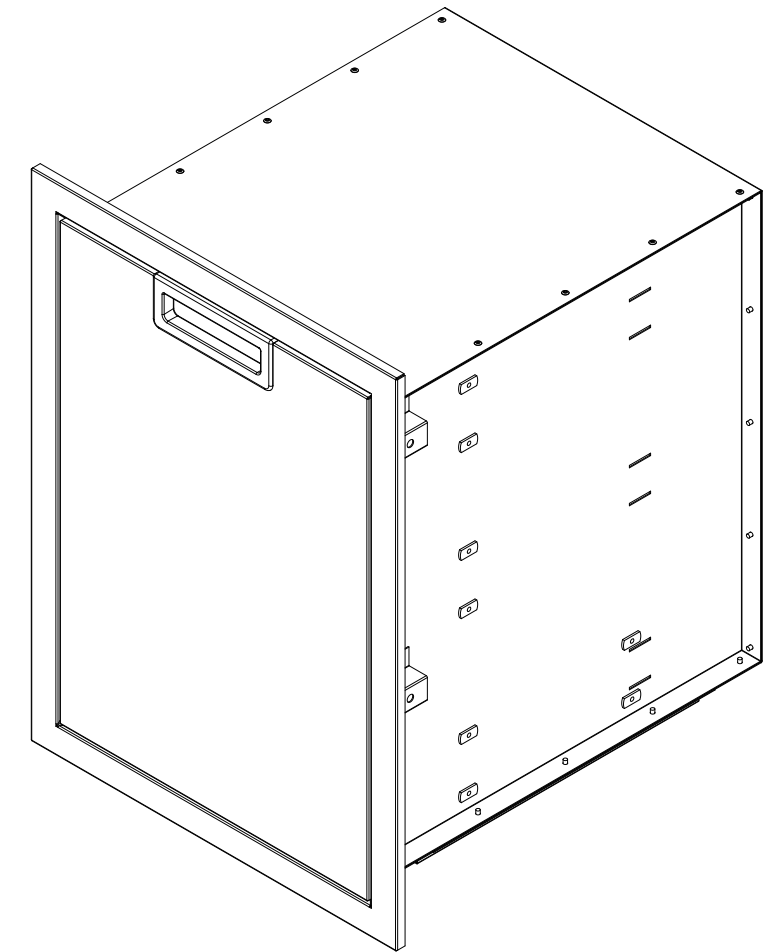
SIZE	Customer	DWG NO	REV
B	Crown Verity	IBILC-PH	-

SCALE 1:8 01/01/2020 SHEET 1 of 2

REVISION HISTORY			
REV	DESCRIPTION	DATE	APPROVED
-	Engineering Release	01/01/2020	Todd Stone



Dimensions shown are the actual physical dimensions. Additional clearances to the cabinetry are dependent on the tolerances of the cut-out. The suggested cut-out dimensions are listed in the chart below but these dimensions can be reduced if the tolerances are controlled. Please refer to the product manual for installation instructions.



Suggested Cut-out Dimensions	
Height	26.625
Width	18.938
Depth	23.000
Material	SS 304

Dimensions are in inches
 Linear Tolerance: +/- .015
 Bend Tolerance: +/- .020
 Angular Tolerance: +/- 0.5
 Radial Tolerance: +/- .005

DRAWN BY: Todd Stone

CROWN VERITY

37 Adams Blvd., Brantford, Ontario, N3S 7V8
 P: (519) 751-1800 www.crownverity.com

TITLE **Infinite Built-In Storage Cabinet-Large with Propane Drawer**

SIZE B	Customer Crown Verity	DWG NO IBILC-PH	REV -
SCALE 1:8	01/01/2020	SHEET 2 of 2	