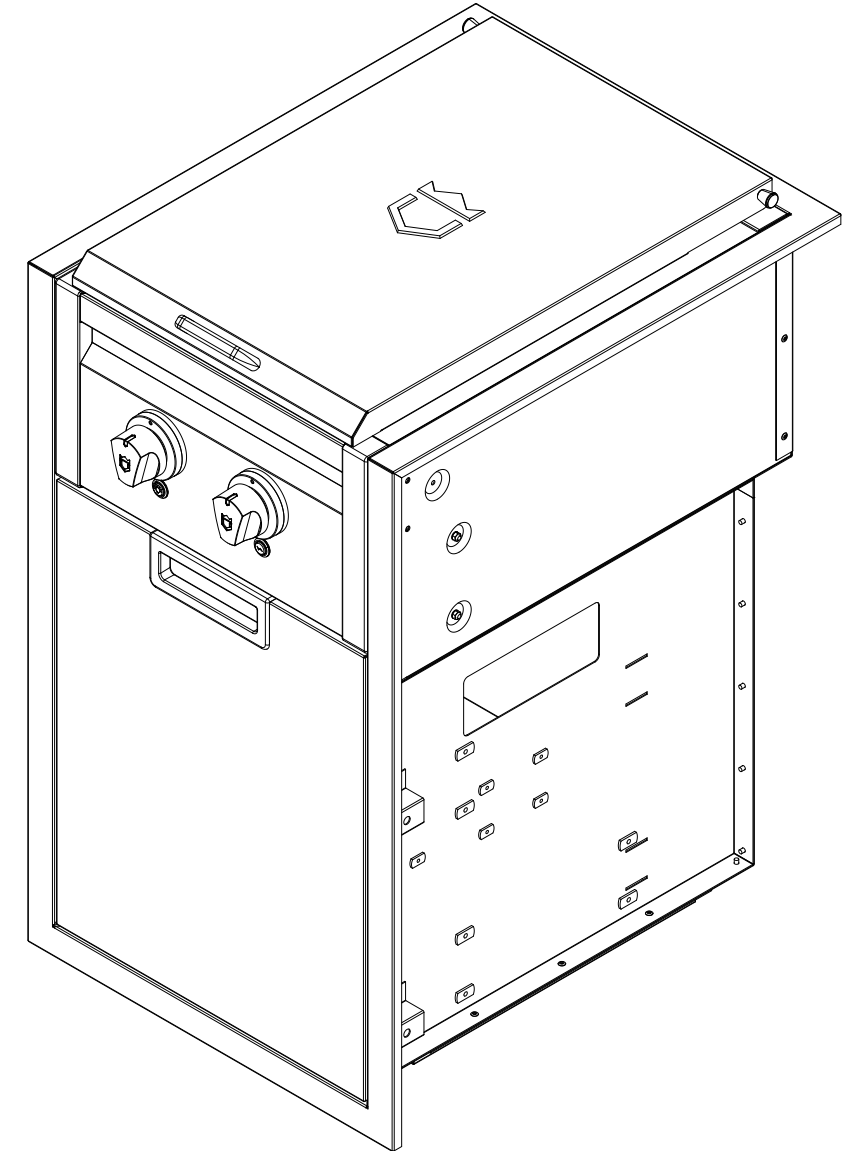
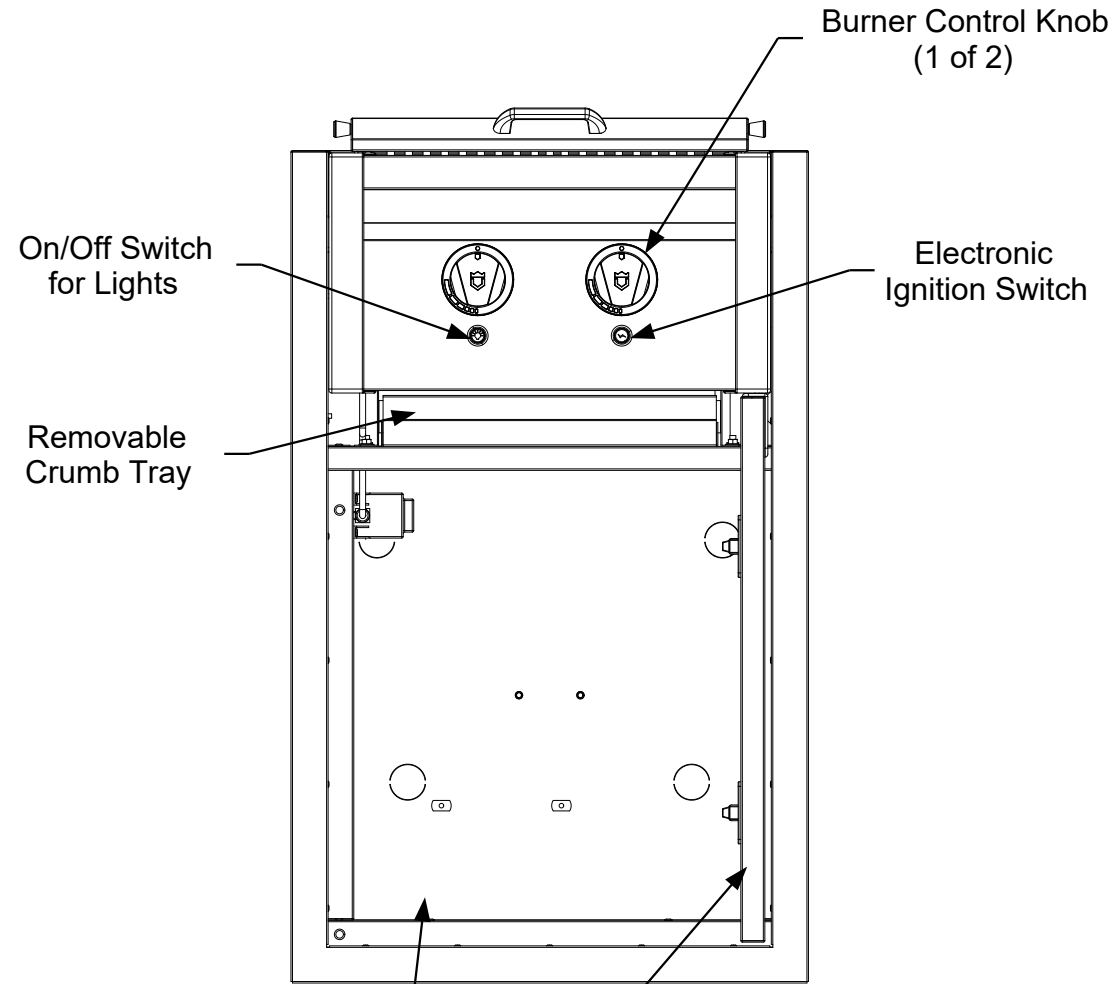
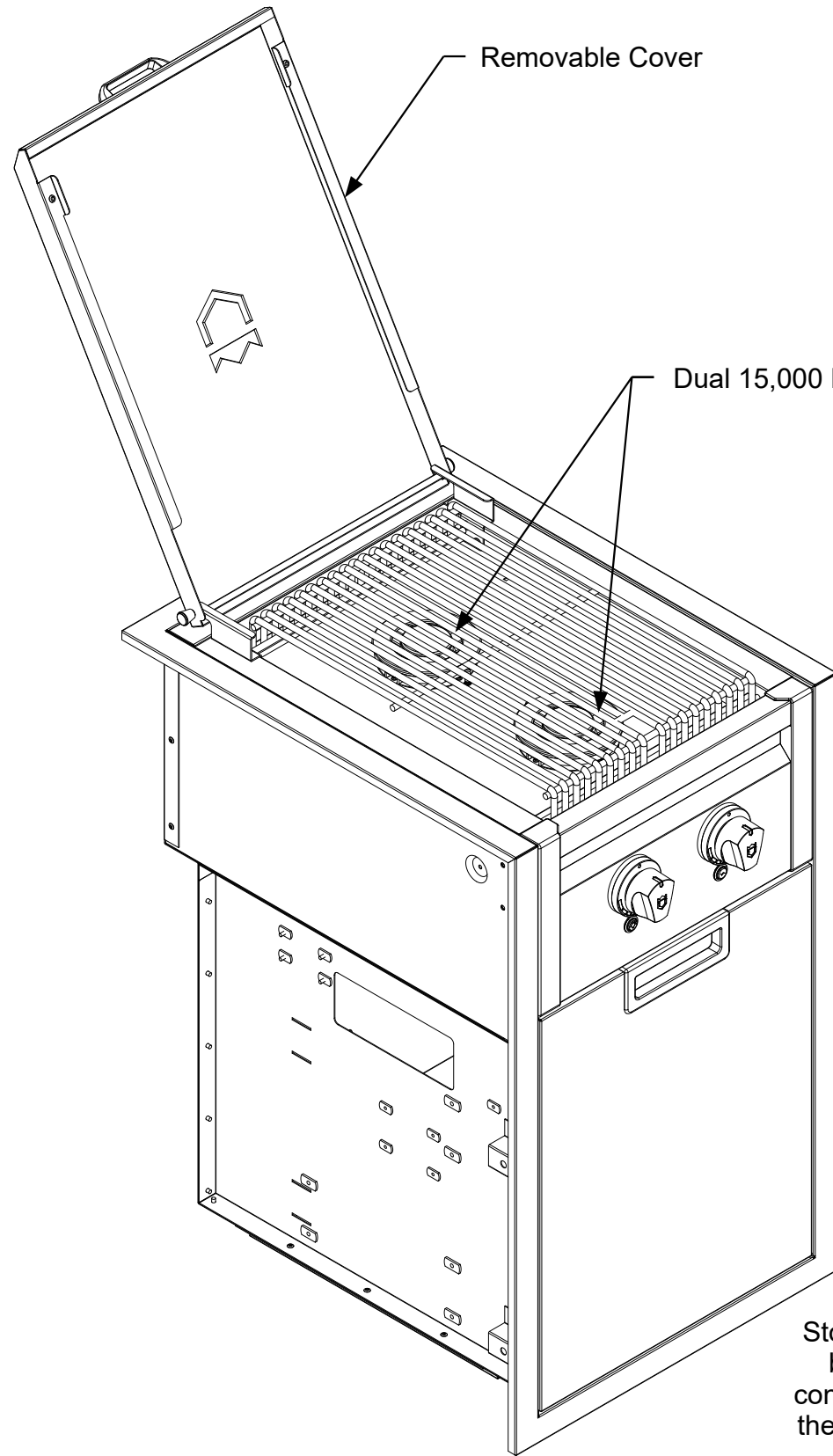


REVISION HISTORY			
REV	DESCRIPTION	DATE	APPROVED
-	Engineering Release	01/01/2020	Todd Stone



Storage area below the side burner. Optional drawer configurations are available at the time of ordering or can be installed at a later date.

Door shown with righthand mounting option. Door hardware can be switched for lefthand mount.

Images shown with optional IBISC-SBLT light kit

**CROWN VERITY**

37 Adams Blvd., Brantford, Ontario, N3S 7V8  
P: (519) 751-1800 www.crownverity.com

Suggested Cut-out Dimensions	
Height	33.000
Width	19.125
Depth	24.750
Material	SS 304

Dimensions are in inches  
Linear Tolerance: +/- .015  
Bend Tolerance: +/- .020  
Angular Tolerance: +/- 0.5  
Radial Tolerance: +/- .005

DRAWN BY: Todd Stone

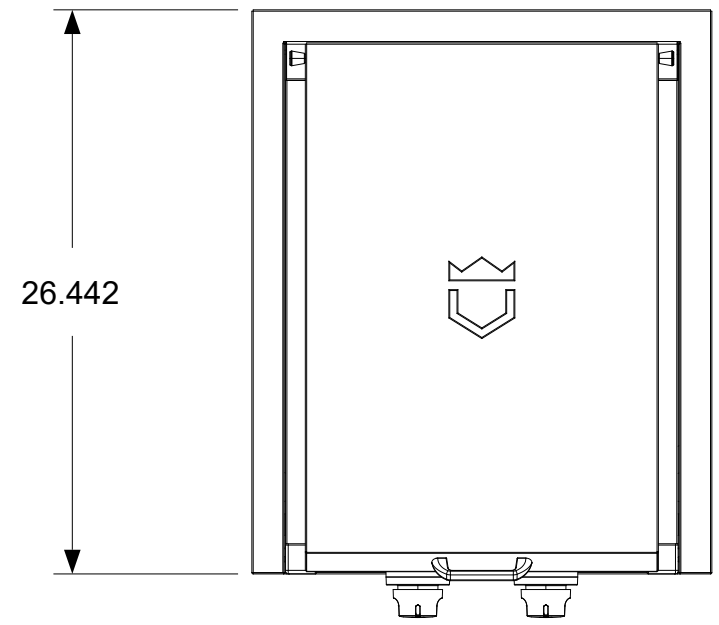
TITLE **Infinite Built-In Side Burner Cabinet with Light Kit**

SIZE	Customer	DWG NO	REV
B	Crown Verity	IBISC-SB(NG/LP)	-
SCALE	1:8	01/01/2020	SHEET 1 of 2

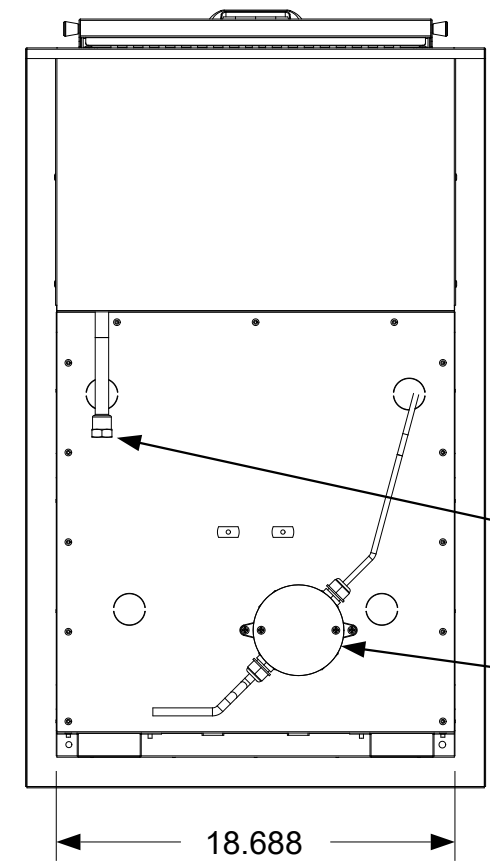
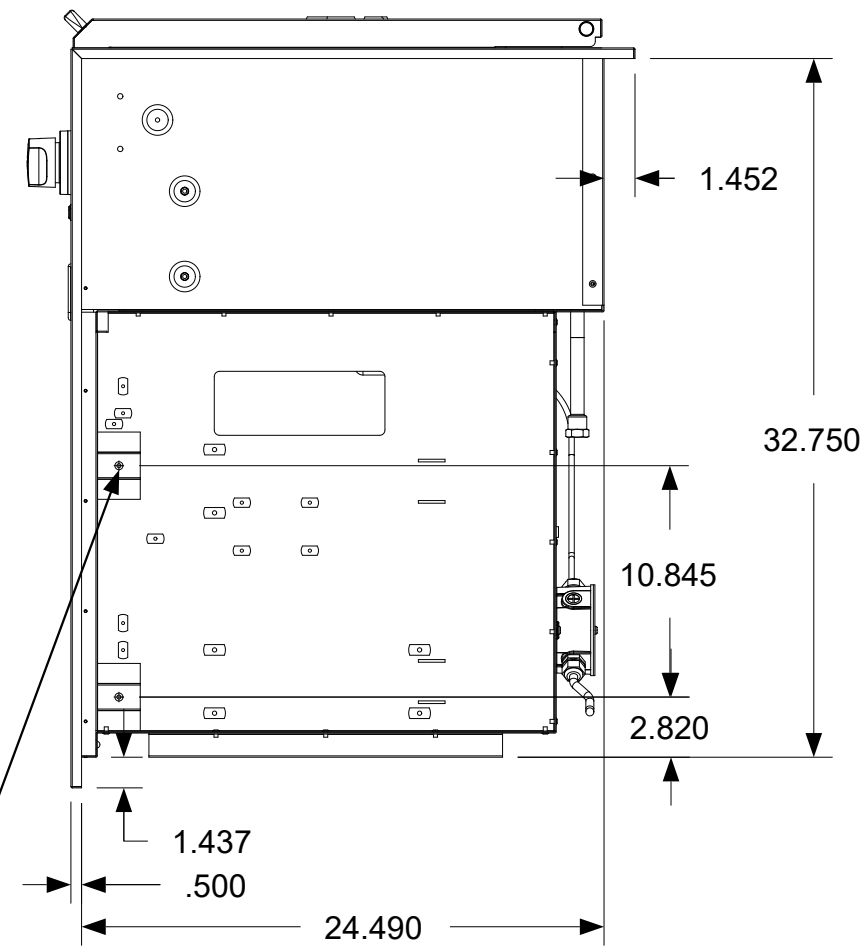
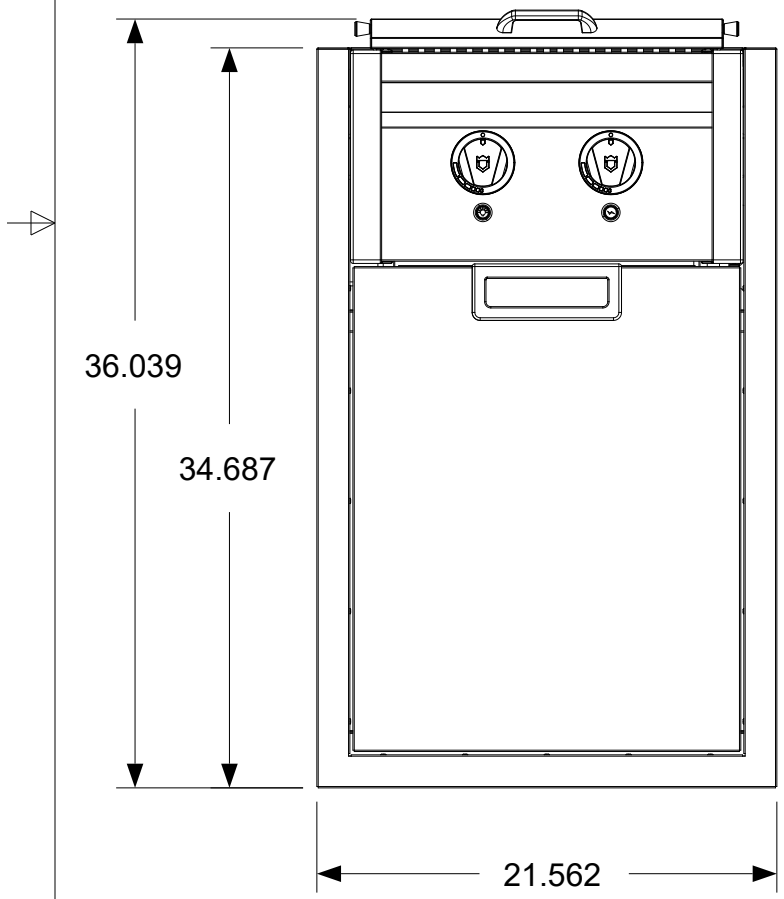
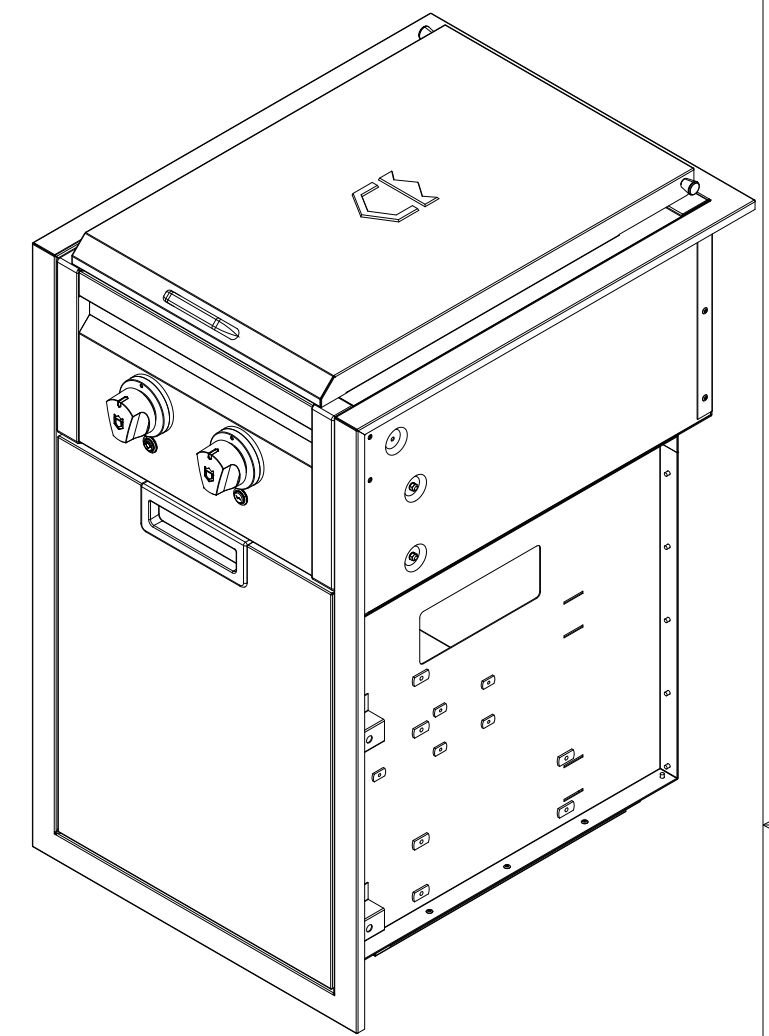


REVISION HISTORY

REV	DESCRIPTION	DATE	APPROVED
-	Engineering Release	01/01/2020	Todd Stone



Dimensions shown are actual physical dimensions. Additional clearances to the cabinetry are dependent on the tolerances of the cut-out. The suggested cut-out dimensions are listed in the chart below but these dimensions can be reduced if the tolerances are controlled. Please refer to the installation manual for additional clearances to combustibles and installation instructions.



Gas connection for Natural Gas or Bulk Propane installations

Juncton box for electrical connections

Images shown with optional IBISC-SBLT light kit

Through hole mounting point for cabinet installation

Suggested Cut-out Dimensions	
Height	33.000
Width	19.125
Depth	24.750
Material	SS 304

Dimensions are in inches  
Linear Tolerance: +/- .015  
Bend Tolerance: +/- .020  
Angular Tolerance: +/- 0.5  
Radial Tolerance: +/- .005



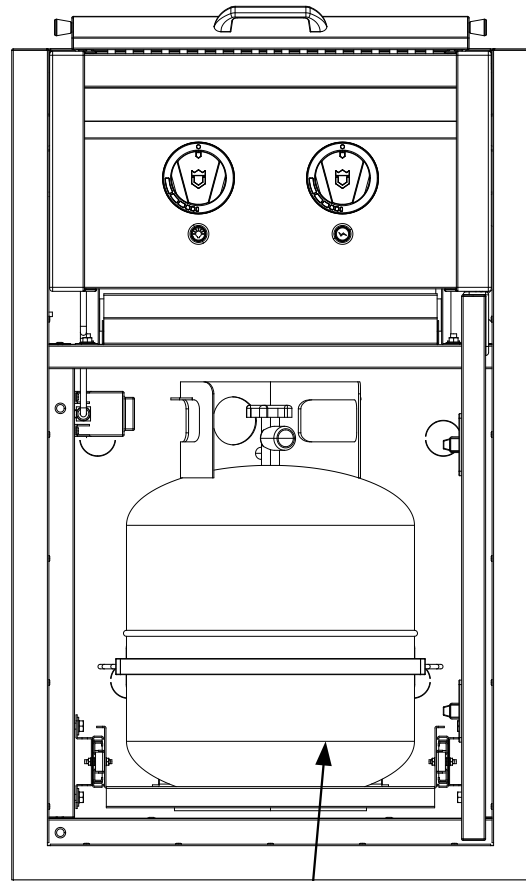
37 Adams Blvd., Brantford, Ontario, N3S 7V8  
P: (519) 751-1800 www.crownverity.com

TITLE <b>Infinite Built-In Side Burner Cabinet with Light Kit</b>			
SIZE <b>B</b>	Customer <b>Crown Verity</b>	DWG NO <b>IBISC-SB(NG/LP)</b>	REV <b>-</b>
SCALE <b>1:9</b>	<b>01/01/2020</b>	SHEET <b>2 of 3</b>	

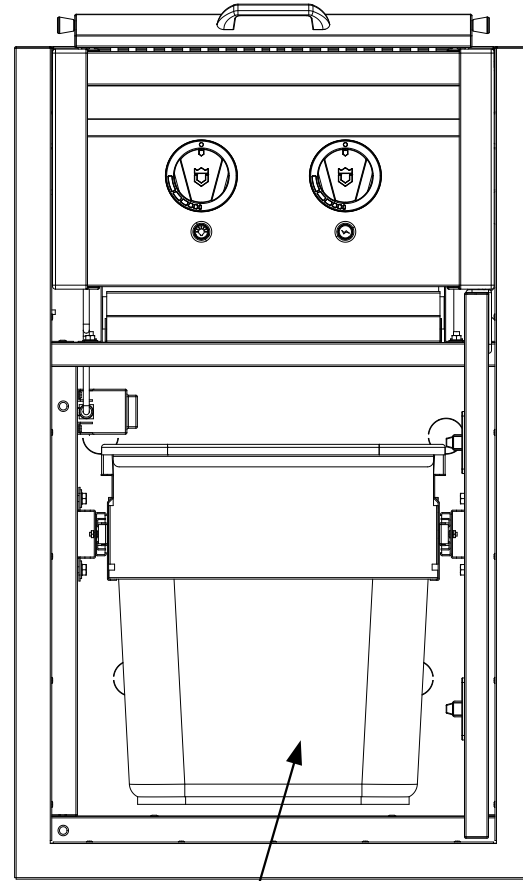
DRAWN BY: **Todd Stone**



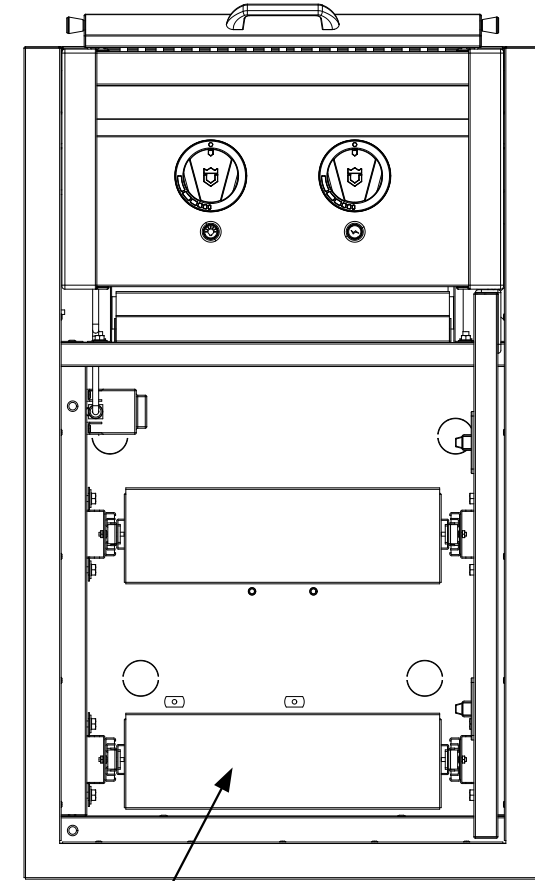
REVISION HISTORY			
REV	DESCRIPTION	DATE	APPROVED
-	Engineering Release	01/01/2020	Todd Stone



For LP applications that are not connected to a bulk supply, a pull-out tank drawer is factory installed along with a hose and regulator assembly to attach to a 20 lbs. tank (not supplied)



Storage area below side burner is shown with the optional garbage drawer



Storage area below the side burner is shown with the optional utility drawer. The cabinet can accommodate a single or dual drawer as shown

Images shown with optional IBISC-SBLT light kit

**CROWN VERITY**

37 Adams Blvd., Brantford, Ontario, N3S 7V8  
P: (519) 751-1800 www.crownverity.com

TITLE **Infinite Built-In Side Burner Cabinet with Light Kit**

SIZE	Customer	DWG NO	REV
B	Crown Verity	IBISC-SB(NG/LP)	-

SCALE	1:8	01/01/2020	SHEET	3 of 3
-------	-----	------------	-------	--------

Suggested Cut-out Dimensions	
Height	33.000
Width	19.125
Depth	24.750
Material	SS 304

Dimensions are in inches  
Linear Tolerance: +/- .015  
Bend Tolerance: +/- .020  
Angular Tolerance: +/- 0.5  
Radial Tolerance: +/- .005

DRAWN BY: **Todd Stone**